



## ASSEMBLY INSTRUCTIONS FOR ECHO PBAV-400, 4600 VACUUM ATTACHMENT

ENGLISH

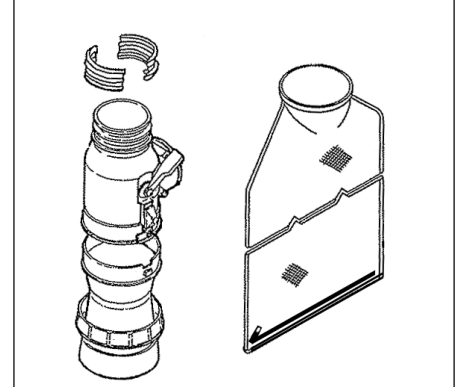
This attachment is designed for outside vacuuming.

Attach it to your POWER BLOWER as described below, set the lever in the vacuum position and you are ready to vacuum your lawn, garden etc. You may also use it to gather nuts lying on the ground. By only a flick of the lever, the machine can be returned to its original function of a power blower.

This attachment fits Power Blower Models PB-403/413, PB-4600, PB-46LN, PB-46HT, PB-460/461LN, PB-500, PB-600, PB-601, PB-610, PB-620

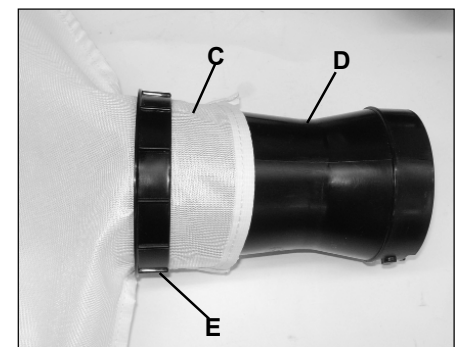
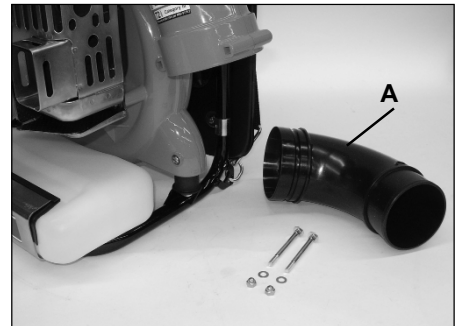
### CONTENTS

- 1 - Adapter
- 1 - Bag
- 1 - Suction tube
- 1 - Connector



### INSTALLATION INSTRUCTIONS

1. Remove the elbow (A) attached to the fan case.
2. Insert suction tube (B) fully into the fan case outlet. Replace both nuts and bolts. (Use two adapters between suction tube and retainers, if necessary.)
3. Attach bag (C) to connector (D) and secure it with fixing ring (E).



X7501092302

89856109362

Printed in Japan 1101n 1405 ES

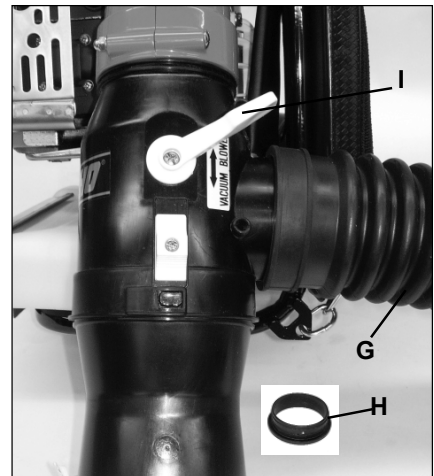
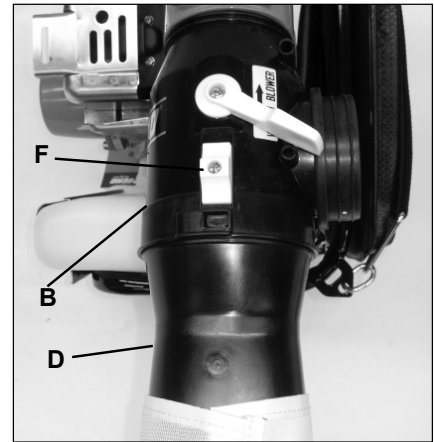
## ASSEMBLY INSTRUCTIONS FOR ECHO PBAV-400, 4600 VACUUM ATTACHMENT

4. Insert connector (D) into the suction tube (B) fully, and turn it clockwise.
5. Push stopper (F) down to lock suction tube to connector.

**Note:** Ensure that connector (D) is securely fastened.

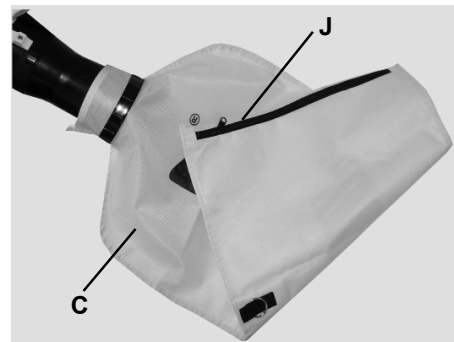
6. Install flexible pipe (G) to the suction tube (B) as shown, and secure with clamp from blower.

**Note:** Remove rubber adapter (H) from suction tube, if necessary to fit flexible pipe.



### OPERATION

1. Turn the lever (I) to vacuum as shown to begin operation.
2. It is not necessary to set the machine down when emptying the bag (C). Just open zipper (J) and the bag can be completely emptied in a matter of seconds.
3. To return to the blower function, switch the lever (I) back to the blower position.



## **TROUBLESHOOTING**

### **Poor suction**

When suction rapidly decreases, it may be due to excessively clogged pipe.

You can briefly turn the lever to blower, which will blow out whatever is clogging the bag.

When suction gradually decreases, it may be that the bag is dirty.

You can brush off dust or wash the bag in water as necessary. Dry it before using.

In case of any other trouble, refer to trouble shooting in the Operator's Manual of each blower.

### **Important:**

Poor suction due to a dirty bag will result in high engine revolutions, which may cause severe engine damage.

Follow the instructions for operation in the Operator's Manual of each blower.

# ECHO, INCORPORATED

400 Oakwood Road, Lake Zurich, Illinois 60047-1564

Phone : 847-540-8400

## OPERATE BLOWER/VACUUM SAFELY AND AVOID DAMAGE TO BLOWER



### DANGER

- **DO NOT** point the blower pipe in the direction of people or animals.
- **ALWAYS** wear safety glasses and a face filter mask.
- **NEVER** operate vacuum without vacuum bag properly attached.
- **DO NOT** attempt to vacuum up ash from outdoor fireplaces or barbecue pits.
- **DO NOT** attempt to vacuum up lit smoking materials.
- This unit is designed to vacuum up debris such as leaves, small bits of paper, small twigs, weeds and grass clippings. Do not use this unit for any other purpose.
- **DO NOT** vacuum up nails, glass, or other sharp objects. Damage to unit might occur.
- **DO NOT** force objects into suction pipe.
- **DO NOT** attempt to clear unit or free fan if vacuum becomes plugged or jammed without first shutting unit off and removing spark plug wire.