



AVAILABLE ATTACHMENTS & ACCESSORIES

Accessories

99944200004 i-Start Kit

Maintenance and Repair Kits

9001012 Gear Case Assembly

PARTS CATALOG
HC-150 HEDGE
CLIPPER

21.2cc

SERIAL NUMBERS

S/N: 08001001 - 08999999

ECHO, INCORPORATED

400 Oakwood Road Lake Zurich, Illinois 60047 USA

WWW.ECHO-USA.COM



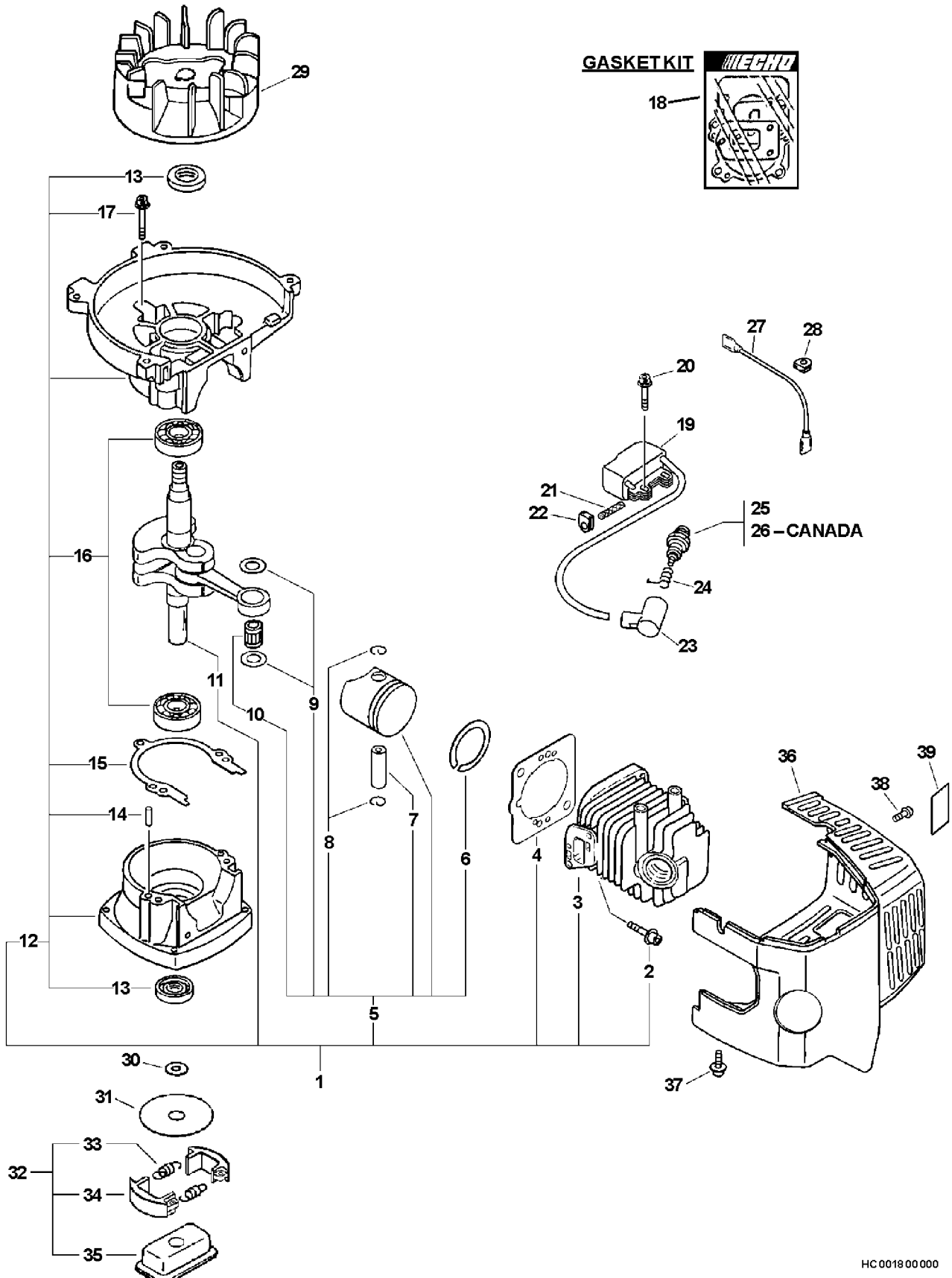
Table of Contents

Click Any Diagram Description Below To View That Diagram.

HC-150 S/N: 08001001 - 08999999

Engine, Short Block, Ignition, Clutch, Cylinder Cover.....	4
Standard Starter.....	6
Fuel System.....	8
Intake.....	10
Carburetor -- RB-K75.....	12
Exhaust.....	14
Handle, Ignition Switch, Throttle Cable.....	16
Cutters, Gear Case, Tools.....	18
Part Number Index.....	20
Part Description Index.....	21

This Page Intentionally Left Blank

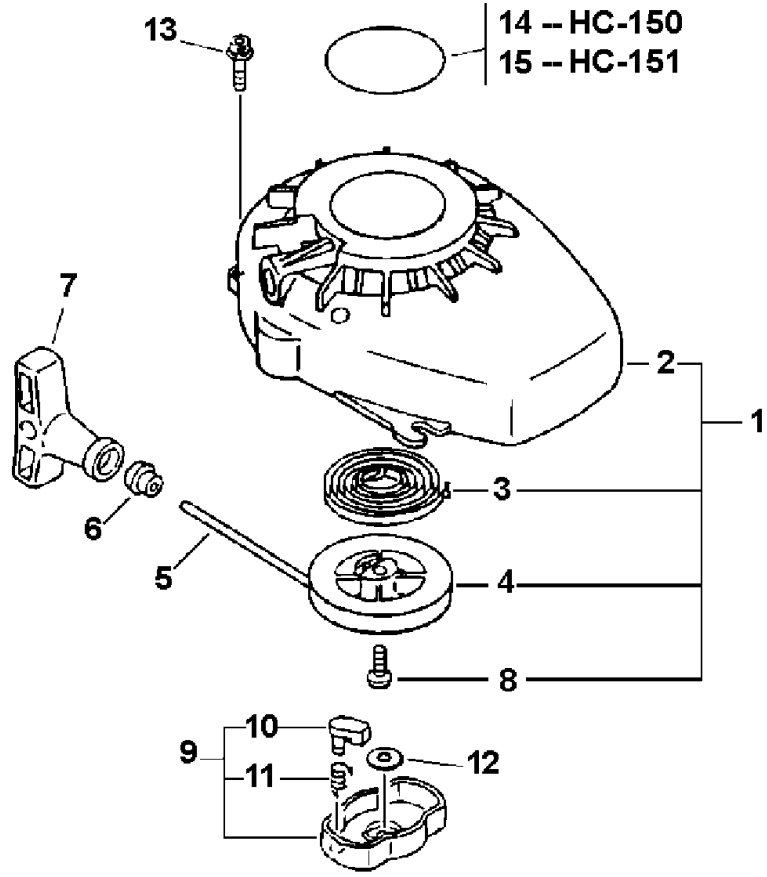


HC001800000

ITEM	PART NUMBER	QTY	DESCRIPTION	REMARKS
1	SB1074	1	SHORT BLOCK	INCLUDES ITEM 2-17
2	90016205022	2	SCREW 5X22	
3	A130000550	1	CYLINDER	
4	V100000160	1	GASKET, CYLINDER ¹	
5	P021007772	1	PISTON KIT	INCLUDES ITEMS 6-10
6	A101000090	1	RING, PISTON	
7	10001311520	1	PIN, PISTON	
8	10001504630	2	CIRCLIP, PISTON PIN	
9	10001408960	2	SPACER, PISTON PIN	
10	10011305930	1	BEARING, NEEDLE	
11	A011000312	1	CRANKSHAFT ASY	
12	10020405361	1	CRANKCASE KIT	INCLUDES ITEMS 13-17
13	10021242031	2	OIL SEAL	
14	V622000020	2	DOWEL PIN	
15	10024242030	1	GASKET, CRANKCASE ¹	
16	9403536201	2	BEARING, BALL	
17	90016205028	3	SCREW 5X28	
18	P021012290	1	GASKET KIT	
19	A411000130	1	COIL, IGNITION	
20	90016204020	2	SCREW 4X20	
21	V475002200	1	TUBE	
22	15611004920	1	BUSHING	
23	15901201620	1	CAP, SPARK PLUG	
24	15901103432	1	TERMINAL, SPARK PLUG CAP	
25	15901019830	1	SPARK PLUG -- BPM-8Y	
26	A425000000	1	SPARK PLUG -- BPMR-8Y	CANADA MODELS
27	16202152830	1	LEAD, IGNITION	
28	15611404920	1	GROMMET	
29	A409000150	1	FLYWHEEL	
30	17501405360	1	WASHER, CLUTCH	
31	17501904920	1	PLATE, CLUTCH	
32	17500006560	1	CLUTCH ASY	INCLUDES ITEMS 33-35
33	17501805960	2	SPRING, CLUTCH	
34	17500905131	2	SHOE, CLUTCH	
35	17501604920	1	HUB, CLUTCH	
36	A160000151	1	COVER, CYLINDER	
37	90016204020	2	SCREW 4X20	
38	9110704008	1	SCREW 4X8	
39	89016006361	1	LABEL, CAUTION - HOT	

Footnotes

1: Also Included In GASKET KIT



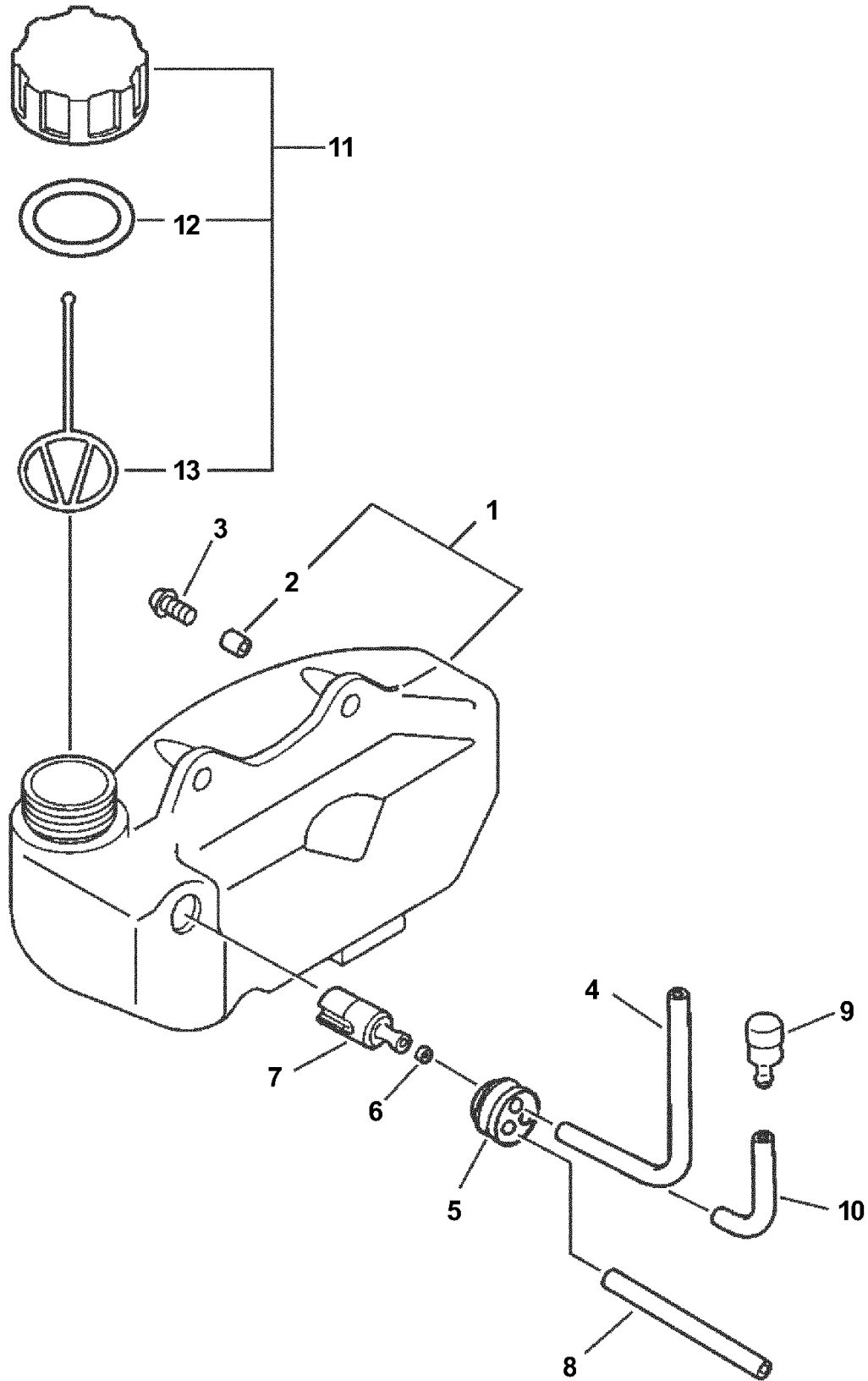
**ITEMS 1 THRU 12 MAY BE REPLACED
COMPLETELY WITH
i-START ACCESSORY KIT #9994420004.
ALSO USE ITEM 14-15 FOR SPECIFIC MODEL**

HC001900000

ITEM	PART NUMBER	QTY	DESCRIPTION	REMARKS
1	17720012220	1	STARTER ASY	INCLUDES ITEMS 2-8
2	10151106562	1	COVER, FAN	
3	17722042030	1	SPRING, REWIND	
4	17721544430	1	DRUM, STARTER	
5	17722610120	1	ROPE, STARTER - 3X1000mm ¹	
6	17722742030	1	GUIDE, ROPE	
7	17722811120	1	GRIP, STARTER	
8	17723644330	1	SCREW	
9	A052000160	1	STARTER PAWL ASY	INCLUDES ITEMS 10-11
10	17721844330	2	PAWL, STARTER	
11	17723442030	2	SPRING, RETURN	
12	90060500008	1	WASHER 8	
13	90016304016	4	SCREW 4X16	
14	X503003710	1	LABEL, MODEL -- HC-150	
15	X503001300	1	LABEL, MODEL -- HC-151	

Footnotes

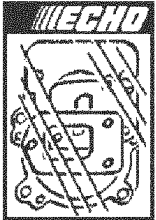
1: BULK OPTION: 99944444000



ITEM	PART NUMBER	QTY	DESCRIPTION	REMARKS
1	A350000041	1	TANK, FUEL	INCLUDES ITEM 2
2	13104528230	2	SPACER	
3	90027505015	2	SCREW 5X15	
4	13201007530	1	PIPE, FUEL - 3X5X195mm ¹	3X5X195mm BULK OPTION: 90014
5	V1370000030	1	GROMMET	
6	13201309820	1	CLIP	
7	13120507320	1	STRAINER, FUEL	
8	13201006460	1	PIPE, RETURN - 3X6X110mm ²	3X6X110mm BULK OPTION: 90017
9	A3560000030	1	VENT ASY	
10	13131239130	1	PIPE , VENT - 3X5X70mm ¹	3X5X70mm BULK OPTION: 90014
11	13100455530	1	FUEL TANK CAP ASY	INCLUDES ITEM 12-13
12	13101655830	1	GASKET, FUEL CAP	
13	13105156030	1	CONNECTOR, FUEL CAP	

Footnotes

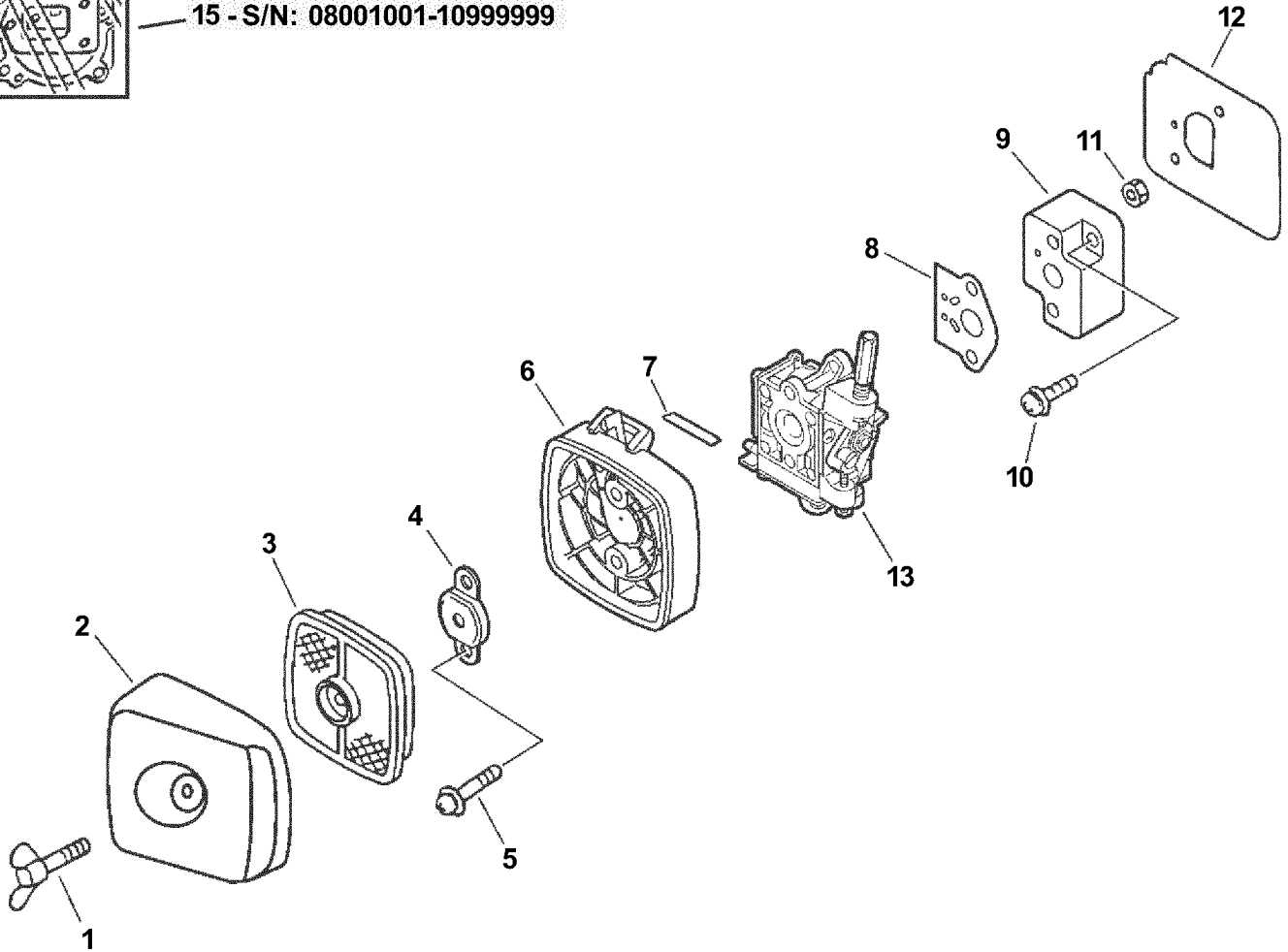
- 1: BULK OPTION: 90014
- 2: BULK OPTION: 90017



GASKET KIT

14 - S/N: 05001001-07999999

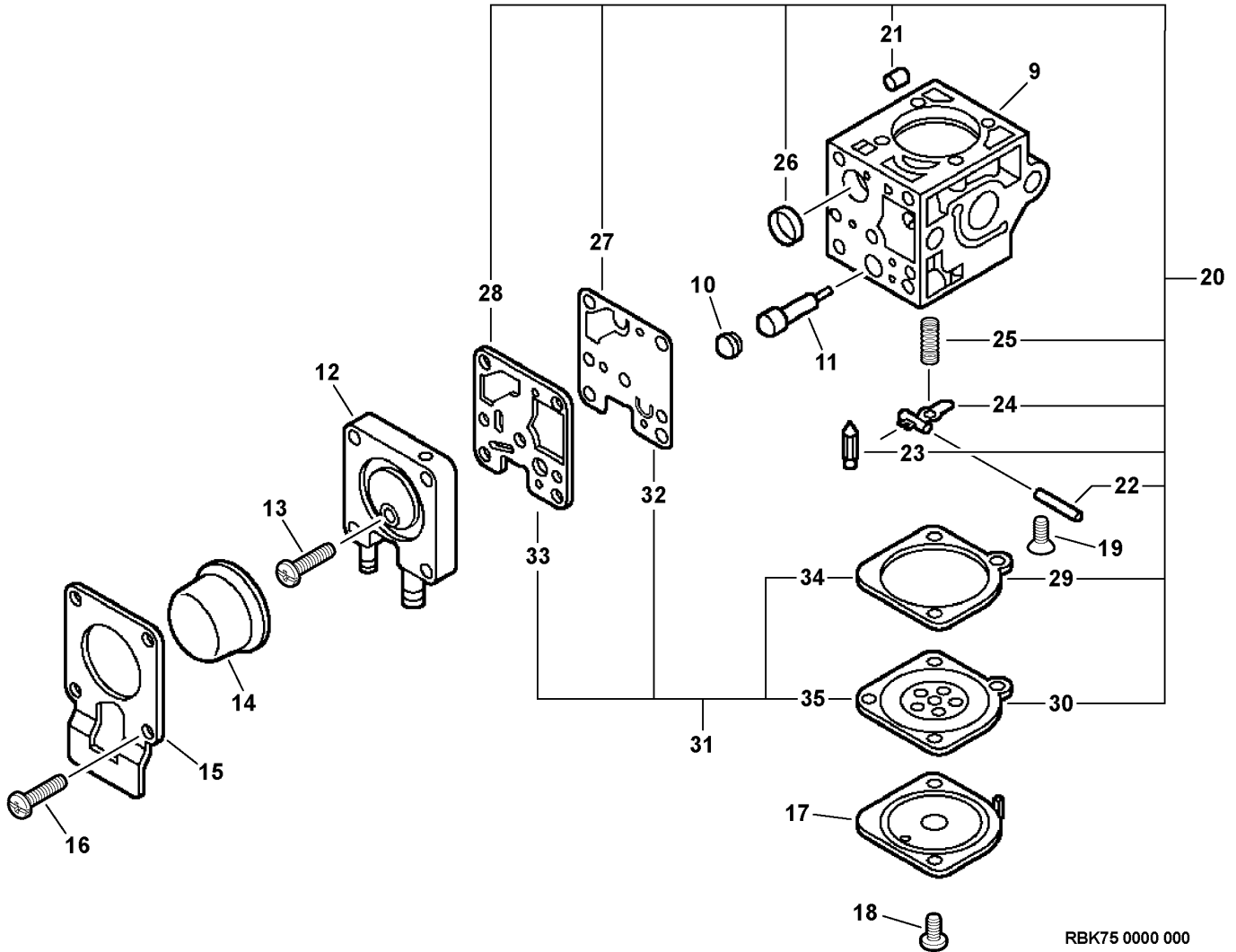
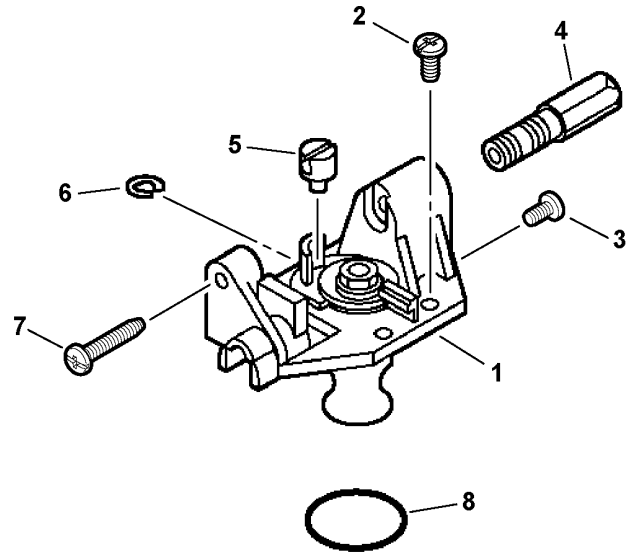
15 - S/N: 08001001-10999999



HC-150 HEDGE CLIPPER

Intake

ITEM	PART NUMBER	QTY	DESCRIPTION	REMARKS
1	21041752730	1	BOLT, WING	
2	13031306563	1	LID, AIR CLEANER	
3	13031054130	1	FILTER, AIR	
4	12901152730	1	PLATE, PREVENT	
5	90022005065	2	SCREW 5X65	
6	P021000991	1	CASE, AIR CLEANER	
7	89012152730	1	LABEL, CHOKE	
8	13001013410	1	GASKET, INTAKE	Also Included In GASKET KIT
9	13001744330	1	INSULATOR, INTAKE	
10	90023805020	2	SCREW 5X20	
11	90050000005	2	NUT 5	
12	13001042032	1	SHIELD, INTAKE	Also Included In GASKET KIT
13	-----	1	CARBURETOR	See Carburetor Diagrams for Model and Serial Number Applications
14	P021004710	1	GASKET KIT	
15	P021012290	1	GASKET KIT	

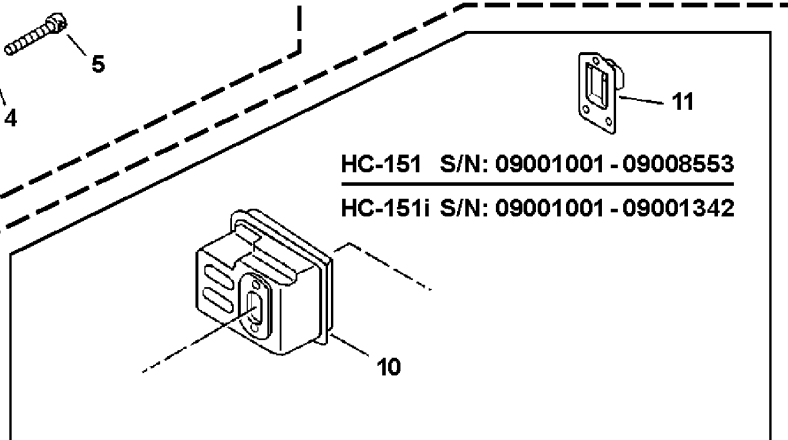
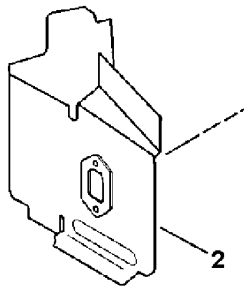
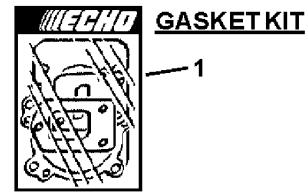
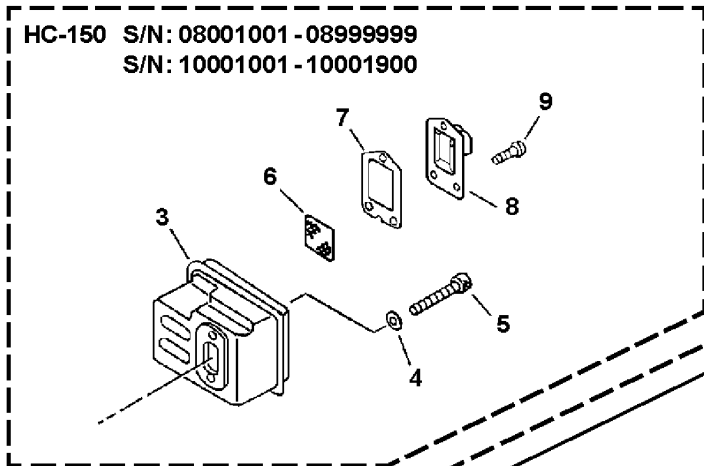


RBK75 0000 000

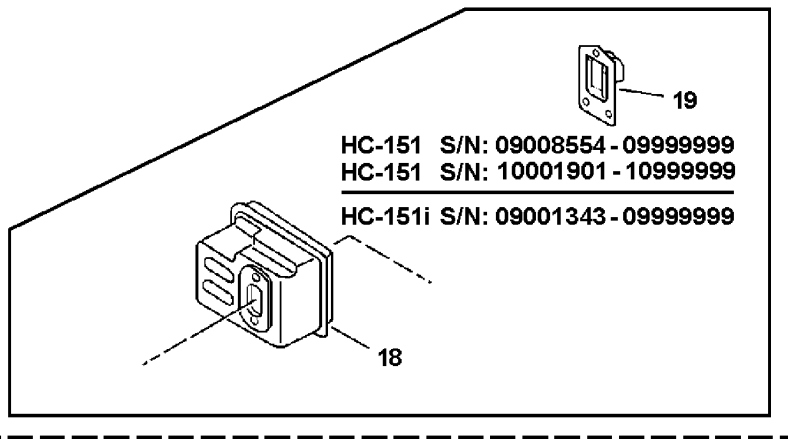
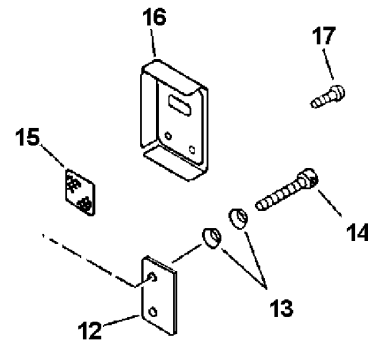
ITEM	PART NUMBER	QTY	DESCRIPTION	REMARKS
	A021000740	1	CARBURETOR -- RB-K75	
1	P005001320	1	ROTOR COVER ASY	
2	12534413931	3	SCREW, ROTOR COVER ASY	
3	12534452130	1	SCREW, ROTOR COVER	
4	P005001330	1	SCREW, CABLE ADJUST	
5	P005001240	1	SWIVEL	
6	P005000190	1	E-RING	
7	P005000100	1	SCREW, THROTTLE ADJUST	
8	P005000280	1	O-RING	
9	-----	1	BODY, CARBURETOR ¹	
10	P005001270	1	PLUG	
11	P005001260	1	NEEDLE - HIGH SPEED	
12	P005000930	1	PURGE BASE ASY	
13	P005000270	1	SCREW, PURGE BASE ASY	
14	12538108660	1	BULB, PURGE	
15	P005000250	1	RETAINER, PURGE BULB	
16	12531061830	4	SCREW, PURGE BULB RETAINER	
17	12534252130	1	COVER, DIAPHRAGM	
18	12534452130	3	SCREW, DIAPHRAGM COVER	
19	12533942030	1	SCREW, METERING LEVER PIN	
20	P005001670	1	REPAIR KIT	INCLUDES ITEMS 21-30
21	P005001000	1	ROLLER, GUIDE	
22	-----	1	PIN, METERING LEVER	
23	-----	1	VALVE, INLET NEEDLE	
24	-----	1	LEVER, METERING	
25	-----	1	SPRING, METERING LEVER	
26	-----	1	STRAINER	
27	-----	1	DIAPHRAGM, PUMP	
28	-----	1	GASKET, PUMP	
29	-----	1	GASKET, METERING	
30	-----	1	DIAPHRAGM, METERING	
31	P005001660	1	DIAPHRAGM/GASKET KIT	INCLUDES ITEMS 32-35
32	-----	1	DIAPHRAGM, PUMP	
33	-----	1	GASKET, PUMP	
34	-----	1	GASKET, METERING	
35	-----	1	DIAPHRAGM, METERING	

Footnotes

1: NOT AVAILABLE SEPARATELY



HC-150 & HC-150i
S/N: 09001001 - 09999999
HC-151 & HC-151i
S/N: 09001001 - 10999999

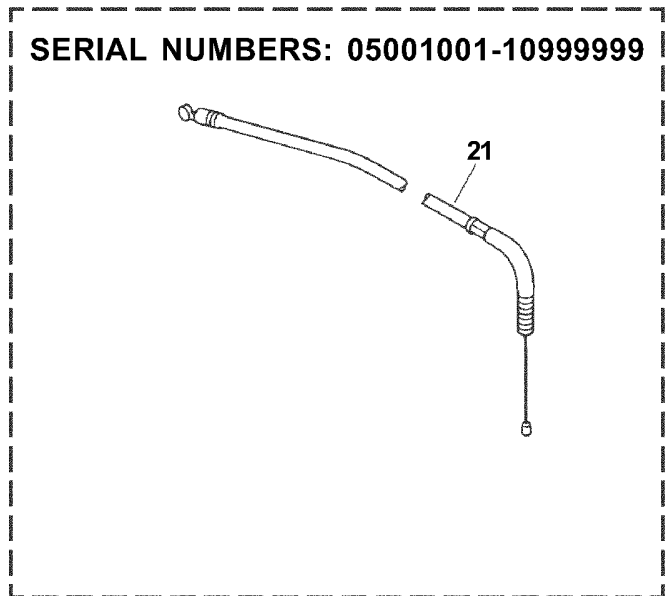
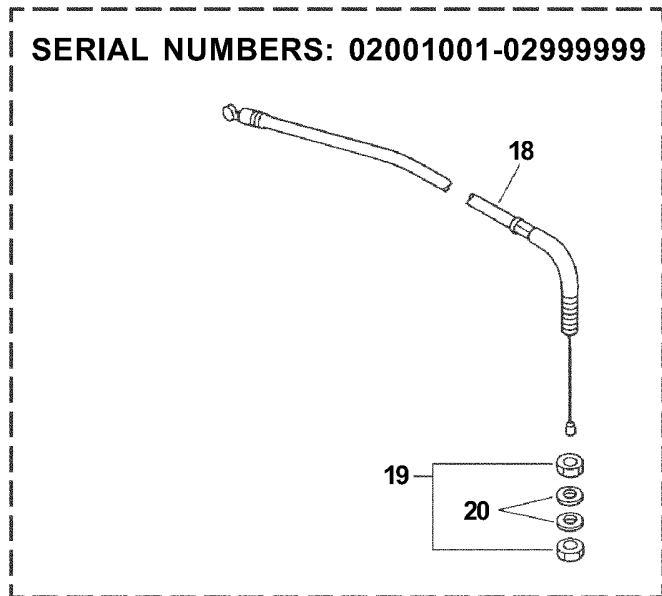
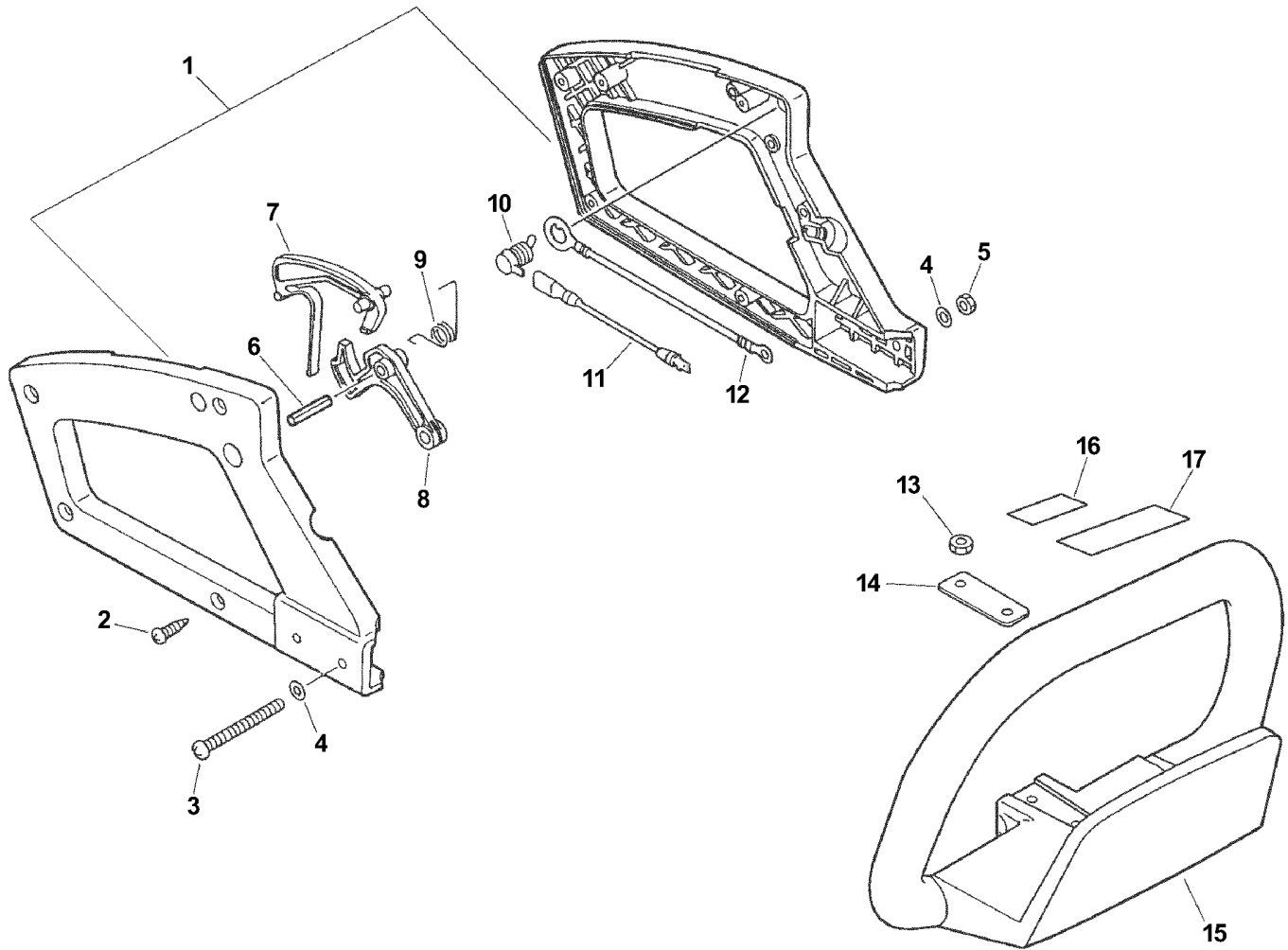


HC 0021 00 000

ITEM	PART NUMBER	QTY	DESCRIPTION	REMARKS
1	P021012290	1	GASKET KIT	
2	V104000590	1	SHIELD, EXHAUST ¹	
3	14581011520	1	MUFFLER	
4	90060000005	2	WASHER 5	
5	90010505050	2	BOLT 5X50	
6	14586240630	1	SCREEN, MUFFLER	
7	14586642031	1	GASKET, EXHAUST ¹	
8	A313000610	1	GUIDE, EXHAUST	
9	90024204010	3	SCREW 4X10	
10	A300000080	1	MUFFLER	
11	A313000640	1	GUIDE, EXHAUST	
12	V150000371	1	PLATE, EYE	
13	V347000000	4	WASHER, CONICAL	
14	90010505055	2	SCREW 5X55	
15	14586240630	1	SCREEN, MUFFLER	
16	V104000072	1	GASKET, EXHAUST ¹	
17	9136704010	3	SCREW 4X10	
18	A300000521	1	MUFFLER	
19	A313000700	1	GUIDE, EXHAUST	

Footnotes

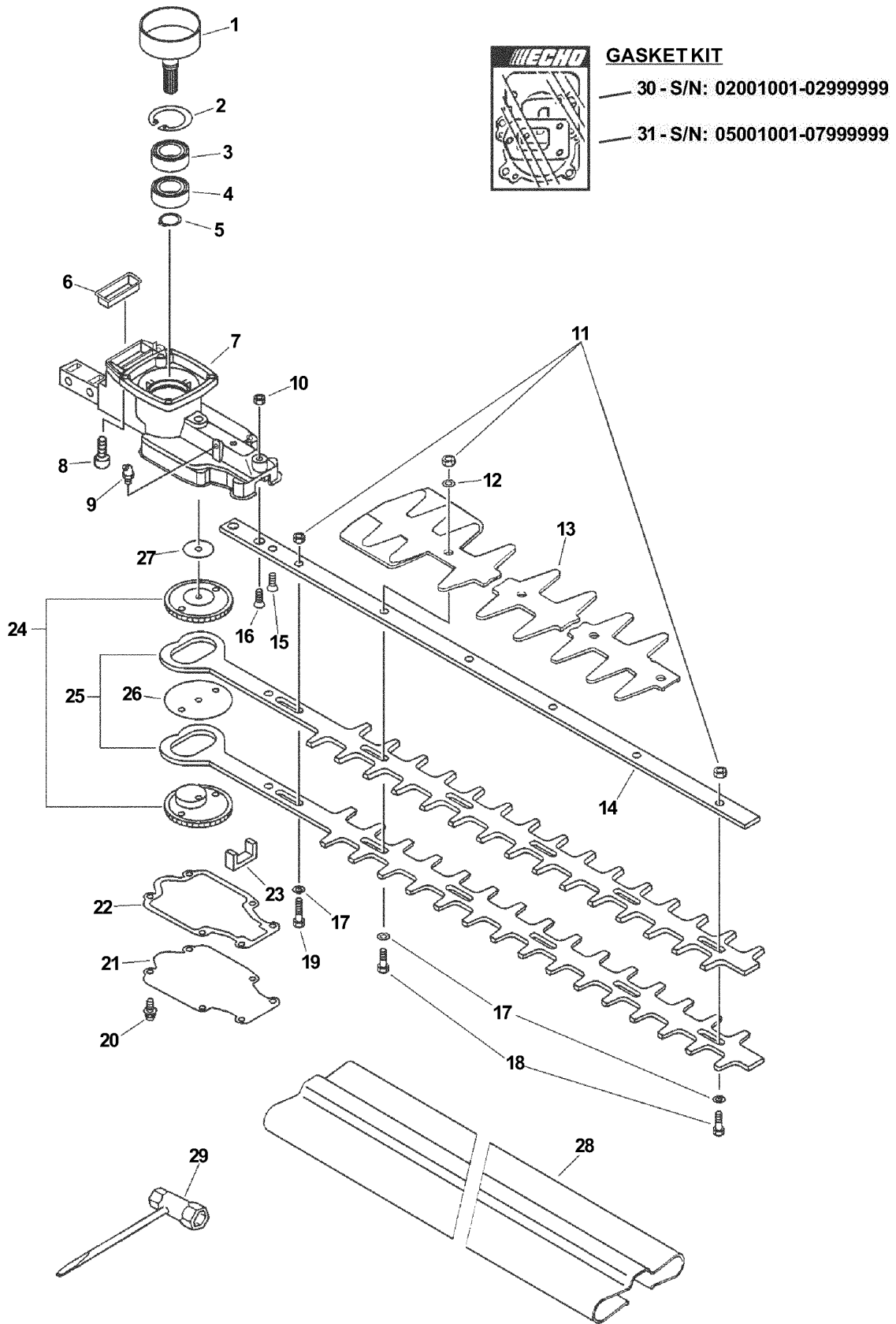
¹: Also Included In GASKET KIT



HC-150 HEDGE CLIPPER

Handle, Ignition Switch, Throttle Cable

ITEM	PART NUMBER	QTY	DESCRIPTION	REMARKS
1	35110006560	1	REAR HANDLE SET	
2	90025504016	5	SCREW 4X16	
3	90022005047	2	SCREW 5X47	
4	90060000005	4	WASHER 5	
5	90056000005	1	LOCKNUT	
6	90034250025	1	SPRING PIN 5X25	
7	17809006560	1	LOCKOUT, THROTTLE CONTROL	
8	17801006560	1	CONTROL, THROTTLE	
9	17804315130	1	SPRING, THROTTLE RETURN	
10	16340003460	1	SWITCH, IGNITION	
11	V485000090	1	LEAD, IGNITION	
12	V485000080	1	LEAD, GROUND	
13	90056000005	2	LOCKNUT	
14	35161105360	1	WASHER	
15	35161005360	1	HANDLE, FRONT	
16	X505000290	1	LABEL, CAUTION	
17	X505000270	1	LABEL, CAUTION	
18	V430000110	1	CABLE, THROTTLE	
19	90050200006	2	NUT 6	
20	90060000006	2	WASHER 6	
21	V430000650	1	CABLE, THROTTLE	



ITEM	PART NUMBER	QTY	DESCRIPTION	REMARKS
1	17500506560	1	DRUM, CLUTCH	
2	90070200035	1	CIRCLIP 35	
3	90087236202	1	BEARING, BALL	
4	90087036202	1	BEARING, BALL	
5	90070100014	1	CIRCLIP 14	
6	13192061830	1	CUSHION, FUEL TANK	
7	C531000050	1	CASE, GEAR	
8	90016304016	2	SCREW 4X16	
9	88011054230	1	NIPPLE, GREASE	
10	90050000006	2	NUT 6	
11	43302206460	6	NUT	
12	69911804560	4	WASHER	
13	69912503060	1	BLUNT	
14	X425000010	1	SUPPORT, CUTTER	
15	90021205030	1	SCREW 5X30	
16	90021206030	2	SCREW	
17	69911804560	6	WASHER	
18	69911504660	5	BOLT 6	
19	69911506560	1	BOLT, CUTTER	
20	90016204012	6	BOLT 4X12	
21	61041106560	1	LID, GEAR CASE	
22	61041406560	1	GASKET, GEAR HOUSING ¹	
23	61042606560	1	SEAL	
24	V650000250	2	GEAR, SPUR	
25	X411000020	2	CUTTER	
26	68902505360	1	WASHER	
27	68902506560	1	WASHER	
28	X495000010	1	COVER, BLADE	
29	89541006960	1	WRENCH, W/SCREWDRIVER	
30	P021001610	1	GASKET KIT	
31	P021004710	1	GASKET KIT	

Footnotes

1: Also Included In GASKET KIT for SERIAL NUMBERS: 02001001-07999999 ONLY



Part Number Index

Click The Page Number After Any Part Number To View The Diagram Containing That Part.

Part Number	Page	Part Number	Page	Part Number	Page
-----	11, 13	69912503060	19	V104000072	15
10001311520	5	88011054230	19	V104000590	15
10001408960	5	89012152730	11	V137000030	9
10001504630	5	89016006361	5	V150000371	15
10011305930	5	89541006960	19	V347000000	15
10020405361	5	90010505050	15	V430000110	17
10021242031	5	90010505055	15	V430000650	17
10024242030	5	90016204012	19	V475002200	5
10151106562	7	90016204020	5	V485000080	17
12531061830	13	90016205022	5	V485000090	17
12533942030	13	90016205028	5	V622000020	5
12534252130	13	90016304016	7, 19	V650000250	19
12534413931	13	90021205030	19	X411000020	19
12534452130	13	90021206030	19	X425000010	19
12538108660	13	90022005047	17	X495000010	19
12901152730	11	90022005065	11	X503001300	7
13001013410	11	90023805020	11	X503003710	7
13001042032	11	90024204010	15	X505000270	17
13001744330	11	90025504016	17	X505000290	17
13031054130	11	90027505015	9		
13031306563	11	90034250025	17		
13100455530	9	90050000005	11		
13101655830	9	90050000006	19		
13104528230	9	90050200006	17		
13105156030	9	90056000005	17		
13120507320	9	90060000005	15, 17		
13131239130	9	90060000006	17		
13192061830	19	90060500008	7		
13201006460	9	90070100014	19		
13201007530	9	90070200035	19		
13201309820	9	90087036202	19		
14581011520	15	90087236202	19		
14586240630	15	9110704008	5		
14586642031	15	9136704010	15		
15611004920	5	9403536201	5		
15611404920	5	A011000312	5		
15901019830	5	A021000740	13		
15901103432	5	A052000160	7		
15901201620	5	A101000090	5		
16202152830	5	A130000550	5		
16340003460	17	A160000151	5		
17500006560	5	A300000080	15		
17500506560	19	A300000521	15		
17500905131	5	A313000610	15		
17501405360	5	A313000640	15		
17501604920	5	A313000700	15		
17501805960	5	A350000041	9		
17501904920	5	A356000030	9		
17720012220	7	A409000150	5		
17721544430	7	A411000130	5		
17721844330	7	A425000000	5		
17722042030	7	C531000050	19		
17722610120	7	P005000100	13		
17722742030	7	P005000190	13		
17722811120	7	P005000250	13		
17723442030	7	P005000270	13		
17723644330	7	P005000280	13		
17801006560	17	P005000930	13		
17804315130	17	P005001000	13		
17809006560	17	P005001240	13		
21041752730	11	P005001260	13		
35110006560	17	P005001270	13		
35161005360	17	P005001320	13		
35161105360	17	P005001330	13		
43302206460	19	P005001660	13		
61041106560	19	P005001670	13		
61041406560	19	P021000991	11		
61042606560	19	P021001610	19		
68902505360	19	P021004710	11, 19		
68902506560	19	P021007772	5		
69911504660	19	P021012290	5, 11, 15		
69911506560	19	SB1074	5		
69911804560	19	V100000160	5		



Part Description Index

Click The Page Number After Any Part Description To View The Diagram Containing That Part.

B

BEARING, BALL.....5, 19
 BEARING, NEEDLE.....5
 BLUNT.....19
 BODY, CARBURETOR.....13
 BOLT 4X12.....19
 BOLT 5X50.....15
 BOLT 6.....19
 BOLT, CUTTER.....19
 BOLT, WING.....11
 BULB, PURGE.....13
 BUSHING.....5

C

CABLE, THROTTLE.....17
 CAP, SPARK PLUG.....5
 CARBURETOR.....11
 CARBURETOR -- RB-K75.....13
 CASE, AIR CLEANER.....11
 CASE, GEAR.....19
 CIRCLIP 14.....19
 CIRCLIP 35.....19
 CIRCLIP, PISTON PIN.....5
 CLIP.....9
 CLUTCH ASY.....5
 COIL, IGNITION.....5
 CONNECTOR, FUEL CAP.....9
 CONTROL, THROTTLE.....17
 COVER, BLADE.....19
 COVER, CYLINDER.....5
 COVER, DIAPHRAGM.....13
 COVER, FAN.....7
 CRANKCASE KIT.....5
 CRANKSHAFT ASY.....5
 CUSHION, FUEL TANK.....19
 CUTTER.....19
 CYLINDER.....5

D

DIAPHRAGM, METERING.....13
 DIAPHRAGM, PUMP.....13
 DIAPHRAGM/GASKET KIT.....13
 DOWEL PIN.....5
 DRUM, CLUTCH.....19
 DRUM, STARTER.....7

E

E-RING.....13

F

FILTER, AIR.....11
 FLYWHEEL.....5
 FUEL TANK CAP ASY.....9

G

GASKET KIT.....5, 11, 15, 19
 GASKET, CRANKCASE.....5
 GASKET, CYLINDER.....5
 GASKET, EXHAUST.....15
 GASKET, FUEL CAP.....9
 GASKET, GEAR HOUSING.....19
 GASKET, INTAKE.....11

GASKET, METERING.....13
 GASKET, PUMP.....13
 GEAR, SPUR.....19
 GRIP, STARTER.....7
 GROMMET.....5, 9
 GUIDE, EXHAUST.....15
 GUIDE, ROPE.....7

H

HANDLE, FRONT.....17
 HUB, CLUTCH.....5

I

INSULATOR, INTAKE.....11

L

LABEL, CAUTION.....17
 LABEL, CAUTION - HOT.....5
 LABEL, CHOKE.....11
 LABEL, MODEL -- HC-150.....7
 LABEL, MODEL -- HC-151.....7
 LEAD, GROUND.....17
 LEAD, IGNITION.....5, 17
 LEVER, METERING.....13
 LID, AIR CLEANER.....11
 LID, GEAR CASE.....19
 LOCKNUT.....17
 LOCKOUT, THROTTLE CONTROL.....17

M

MUFFLER.....15

N

NEEDLE - HIGH SPEED.....13
 NIPPLE, GREASE.....19
 NUT.....19
 NUT 5.....11
 NUT 6.....17, 19

O

OIL SEAL.....5
 O-RING.....13

P

PAWL, STARTER.....7
 PIN, METERING LEVER.....13
 PIN, PISTON.....5
 PIPE, VENT - 3X5X70mm.....9
 PIPE, FUEL - 3X5X195mm.....9
 PIPE, RETURN - 3X6X110mm.....9
 PISTON KIT.....5
 PLATE, CLUTCH.....5
 PLATE, EYE.....15
 PLATE, PREVENT.....11
 PLUG.....13
 PURGE BASE ASY.....13

R

REAR HANDLE SET.....17
 REPAIR KIT.....13
 RETAINER, PURGE BULB.....13
 RING, PISTON.....5

ROLLER, GUIDE.....13
 ROPE, STARTER - 3X1000mm.....7
 ROTOR COVER ASY.....13

S

SCREEN, MUFFLER.....15
 SCREW.....7, 19
 SCREW 4X10.....15
 SCREW 4X16.....7, 17, 19
 SCREW 4X20.....5
 SCREW 4X8.....5
 SCREW 5X15.....9
 SCREW 5X20.....11
 SCREW 5X22.....5
 SCREW 5X28.....5
 SCREW 5X30.....19
 SCREW 5X47.....17
 SCREW 5X55.....15
 SCREW 5X65.....11
 SCREW, CABLE ADJUST.....13
 SCREW, DIAPHRAGM COVER.....13
 SCREW, METERING LEVER PIN.....13
 SCREW, PURGE BASE ASY.....13
 SCREW, PURGE BULB RETAINER.....13
 SCREW, ROTOR COVER.....13
 SCREW, ROTOR COVER ASY.....13
 SCREW, THROTTLE ADJUST.....13
 SEAL.....19
 SHIELD, EXHAUST.....15
 SHIELD, INTAKE.....11
 SHOE, CLUTCH.....5
 SHORT BLOCK.....5
 SPACER.....9
 SPACER, PISTON PIN.....5
 SPARK PLUG -- BPM-8Y.....5
 SPARK PLUG -- BPMR-8Y.....5
 SPRING PIN 5X25.....17
 SPRING, CLUTCH.....5
 SPRING, METERING LEVER.....13
 SPRING, RETURN.....7
 SPRING, REWIND.....7
 SPRING, THROTTLE RETURN.....17
 STARTER ASY.....7
 STARTER PAWL ASY.....7
 STRAINER.....13
 STRAINER, FUEL.....9
 SUPPORT, CUTTER.....19
 SWITCH, IGNITION.....17
 SWIVEL.....13

T

TANK, FUEL.....9
 TERMINAL, SPARK PLUG CAP.....5
 TUBE.....5

V

VALVE, INLET NEEDLE.....13
 VENT ASY.....9

W

WASHER.....17, 19
 WASHER 5.....15, 17
 WASHER 6.....17
 WASHER 8.....7



Part Description Index (continued)

WASHER, CLUTCH.....5
WASHER, CONICAL.....15
WRENCH, W/SCREWDRIVER.....19

NOTES



ECHO, INCORPORATED

400 Oakwood Road
Lake Zurich, IL 60047 USA

WWW.ECHO-USA.COM
