



OPTIONAL ATTACHMENTS & ACCESSORIES

Accessories

35130454230	U-Handle Kit
99944200200	SRM Shoulder Harness Kit
99944200411	20mm Blade Conversion Kit
99944200415	Universal Blade Conversion Kit
99944200455	Barrier Bar
99944200521	U-Handle_Blade Conversion Combo Kit
SRAC-200	Tiller/Cultivator Attachment

Cutting Heads

21560030	ECHOMATIC Pro Head
21560031	SRM ECHOMATIC Pro Head
21560050	Semi-Auto Head Assembly
21560056	2-Line Rapid Loader Head -- Echo
21560060	SRM Manual Dual Line Head
99944200900	U-Turn Head

PARTS CATALOG

SRM-210 Trimmer

21.2cc

SERIAL NUMBERS

S/N: 05001001 - 05999999

ECHO, INCORPORATED

400 Oakwood Road Lake Zurich, Illinois 60047 USA

WWW.ECHO-USA.COM



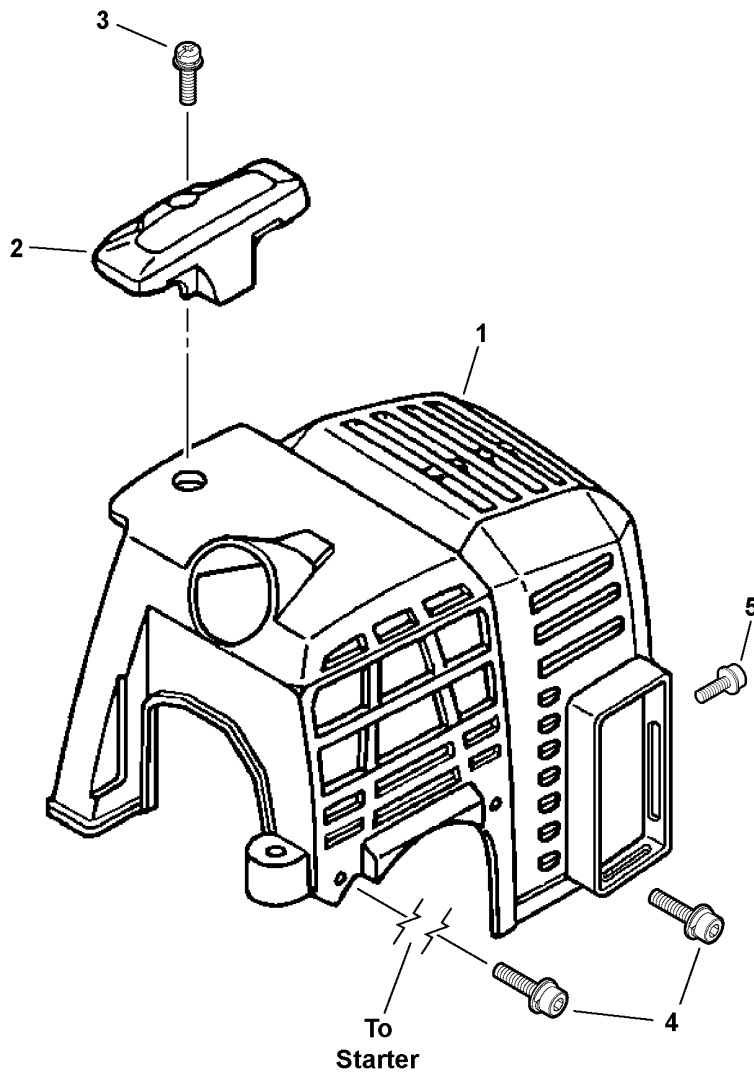
Table of Contents

Click Any Diagram Description Below To View That Diagram.

SRM-210 S/N: 05001001 - 05999999

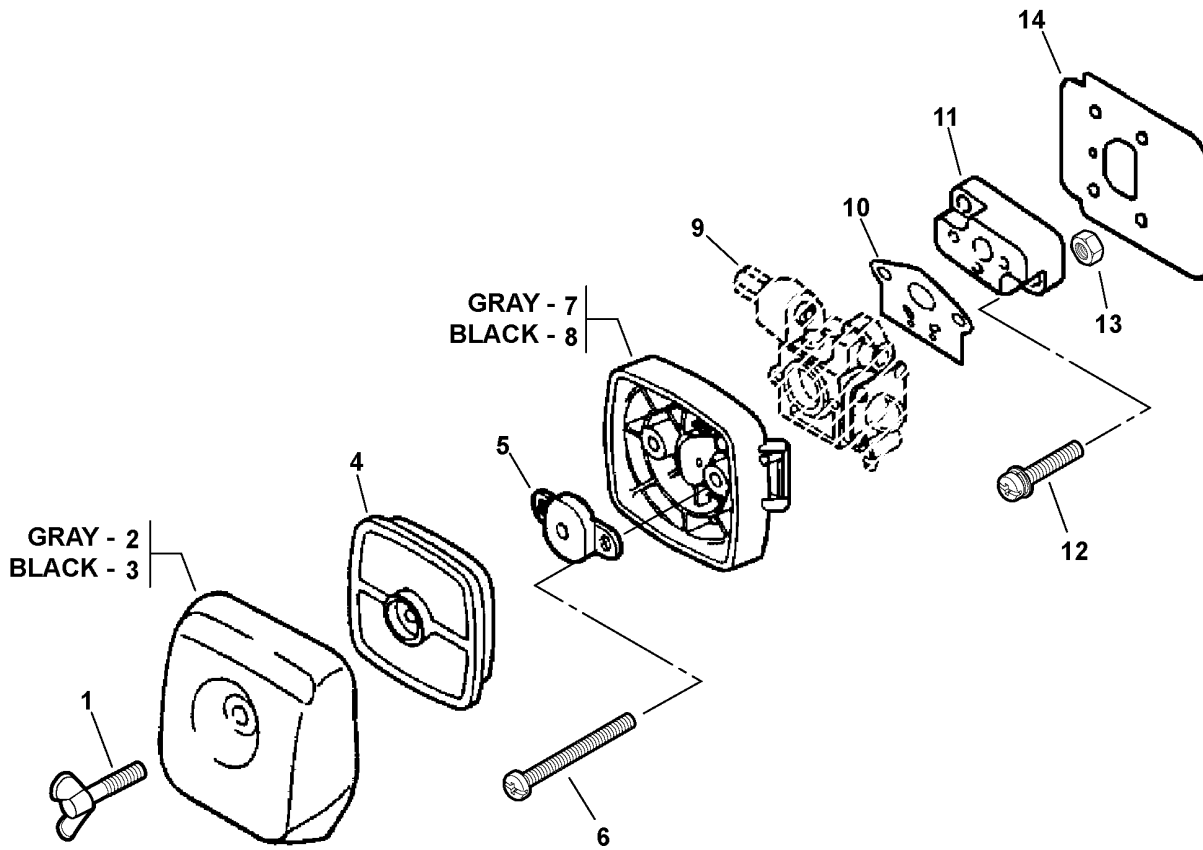
Engine Cover.....	4
Intake.....	6
Carburetor -- RB-K66B S/N: 05001001 - 05182134.....	8
Carburetor -- RB-K70 S/N: 05182135 - 05281189.....	10
Carburetor -- RB-K70A S/N: 05281190 - 05999999.....	12
Exhaust.....	14
Starter -- Standard S/N: 05001001 - 05291880.....	16
Starter -- i-30 S/N: 05291881 - 05999999.....	18
Fuel System.....	20
Fan Case, Clutch.....	22
Ignition.....	24
Engine, Short Block -- SB1065.....	26
Plastic Shield.....	28
Gear Case.....	30
Main Pipe Assembly, Flexible Driveshaft.....	32
Control Handle, Throttle Cable, Ignition Switch.....	34
Front Handle.....	36
Labels S/N: 05001001 - 05291880.....	38
Labels S/N: 05291881 - 05999999.....	40
Gasket Kit.....	42
RePower Tune-Up Kit.....	44
Tools.....	46
Part Number Index.....	48
Part Description Index.....	49

This Page Intentionally Left Blank



001 0027 00B

ITEM	PART NUMBER	QTY	DESCRIPTION	REMARKS
1	A160000181	1	COVER, ENGINE	
2	A162000050	1	GUARD, TOP	
3	90023805016	1	SCREW 5X16	
5	9110704008	1	SCREW 4X8	
4	90016304016	2	SCREW 4X16	

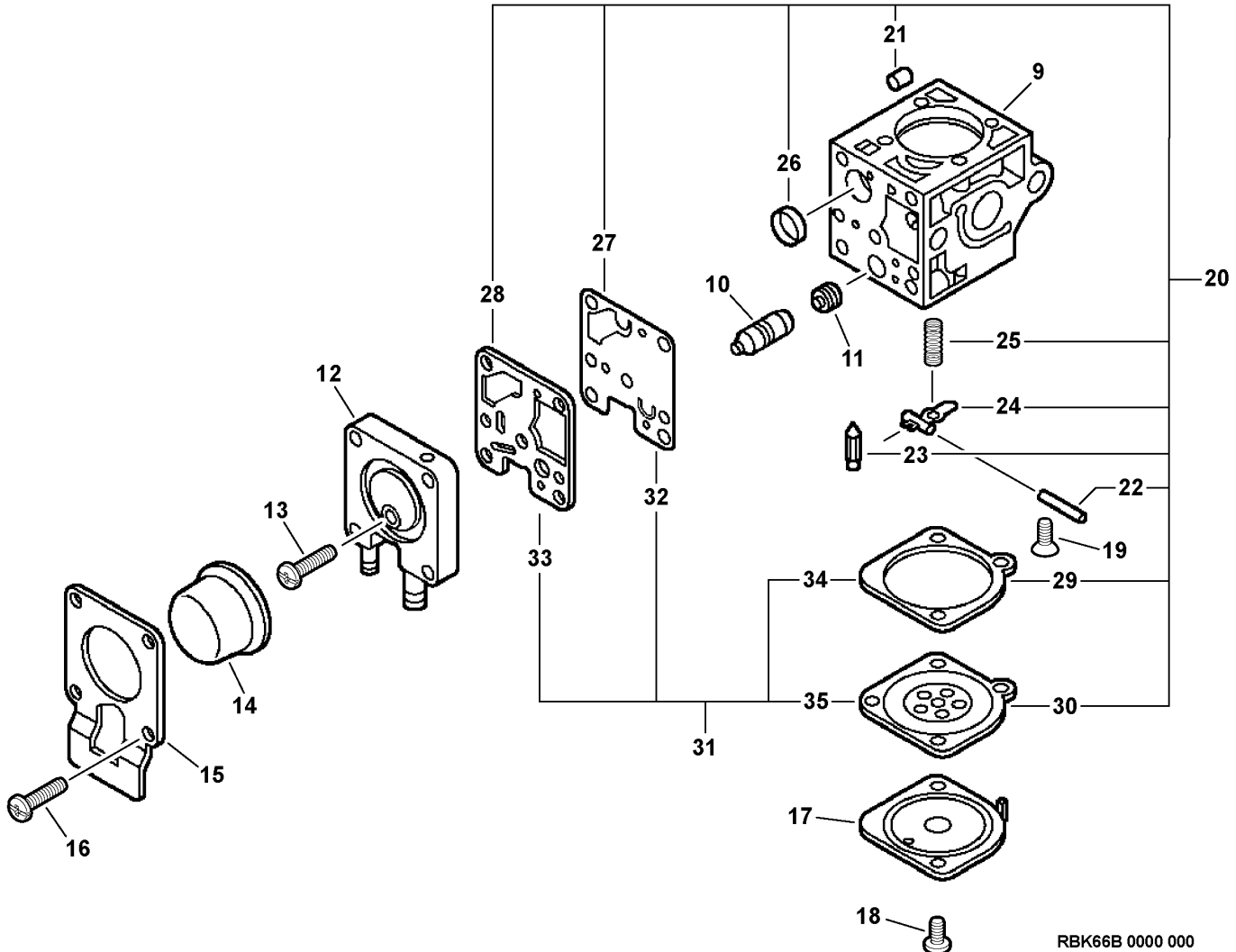
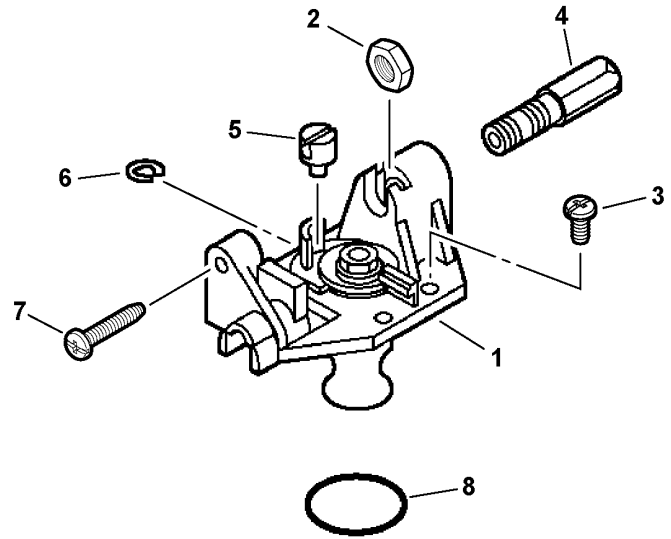


005 0007 00B

ITEM	PART NUMBER	QTY	DESCRIPTION	REMARKS
1	21041752730	1	WING BOLT	
2	13031306563	1	LID, AIR CLEANER - GRAY	
3	13031305863	1	LID, AIR CLEANER - BLACK	
4	13031054130	1	FILTER, AIR ¹	
5	12901152730	1	PLATE, PREVENT	
6	90022005065	2	SCREW 5X65	
7	P021000991	1	CASE, AIR CLEANER - GRAY	
8	P021004480	1	CASE, AIR CLEANER - BLACK	
9	-----	1	CARBURETOR	See Carburetor Diagram For Additional Information
10	13001013410	1	GASKET, INTAKE ²	
11	13001744330	1	INSULATOR, INTAKE	
12	90023805020	2	SCREW 5X20	
13	90050000005	2	NUT 5	
14	13001042032	1	SHIELD, INTAKE ²	

Footnotes

- 1: Also Included In REPOWER TUNE-UP KIT
- 2: Also Included In GASKET KIT

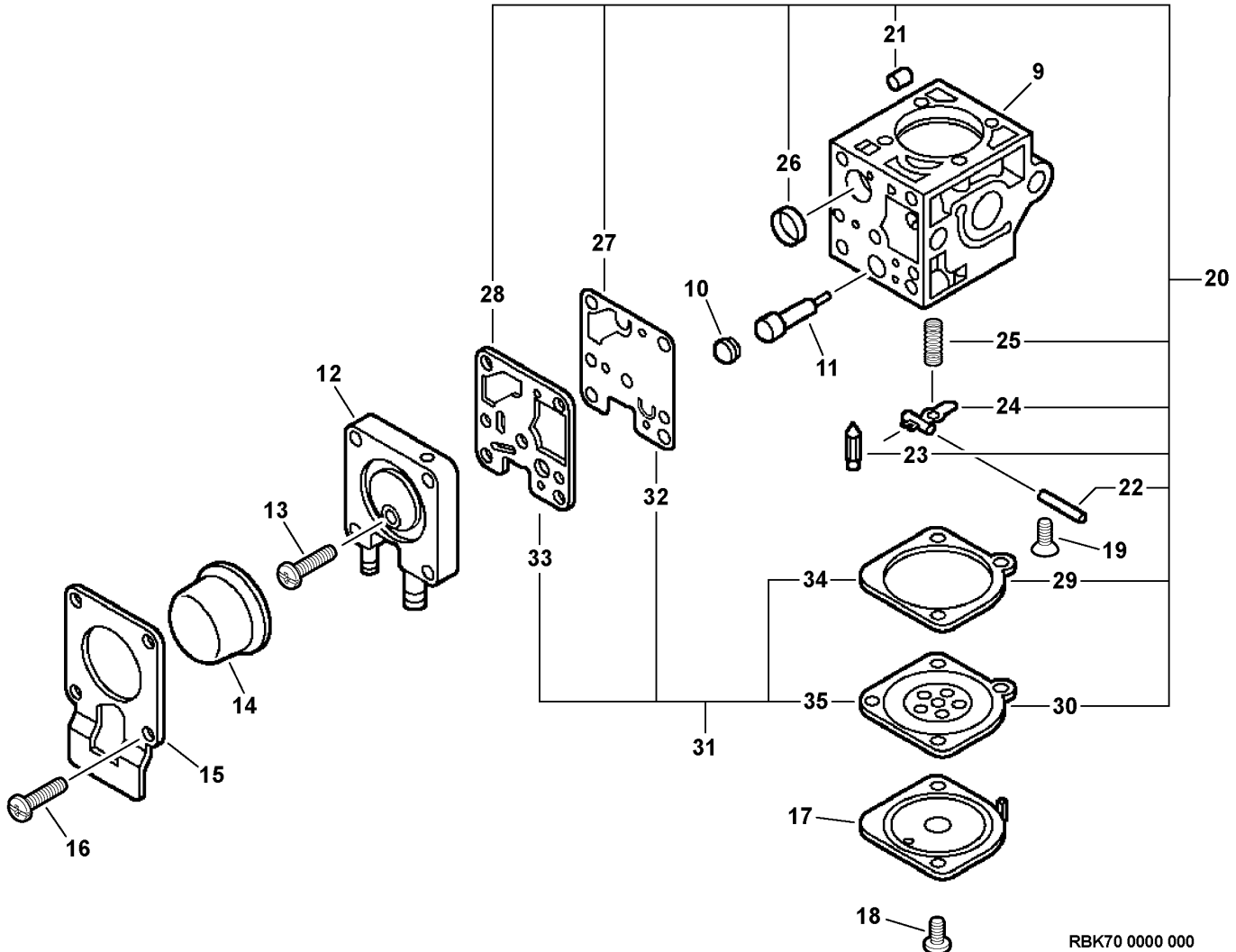
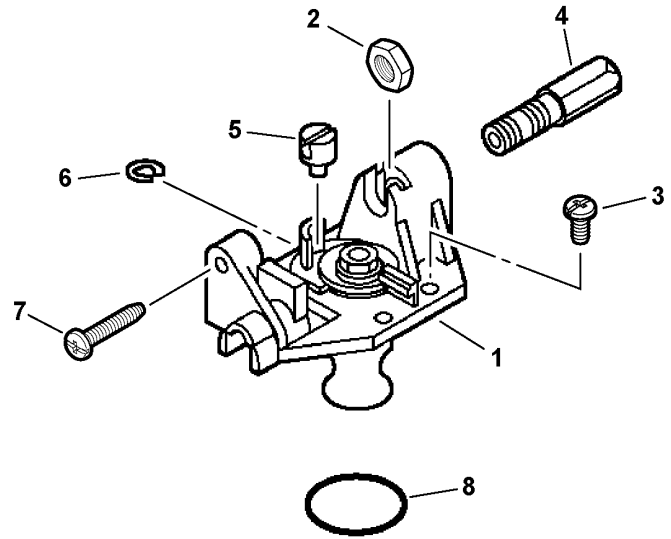


RBK66B 0000 000

ITEM	PART NUMBER	QTY	DESCRIPTION	REMARKS
	A021000382	1	CARBURETOR -- RB-K66B	
1	P005000690	1	ROTOR COVER ASY	
2	P005000120	1	NUT, CABLE	
3	12534413931	3	SCREW, ROTOR COVER ASY	
4	P005000700	1	SCREW, CABLE ADJUST	
5	P005000180	1	SWIVEL	
6	P005000190	1	E-RING	
7	P005000100	1	SCREW, THROTTLE ADJUST	
8	P005000280	1	O-RING	
9	-----	1	BODY, CARBURETOR ¹	
10	P005000370	1	PLUG KIT	
11	P005000570	1	JET	
12	P005000930	1	PURGE BASE ASY	
13	P005000270	1	SCREW, PURGE BASE ASY	
14	12538108660	1	BULB, PURGE	
15	P005000250	1	RETAINER, PURGE BULB	
16	12531061830	4	SCREW, PURGE BULB RETAINER	
17	12534252130	1	COVER, DIAPHRAGM	
18	12534452130	2	SCREW, DIAPHRAGM COVER	
19	12533942030	1	SCREW, METERING LEVER PIN	
20	P005000950	1	REPAIR KIT	INCLUDES ITEMS 21-30
21	P005001000	1	ROLLER, GUIDE	
22	-----	1	PIN, METERING LEVER	
23	-----	1	VALVE, INLET NEEDLE	
24	-----	1	LEVER, METERING	
25	-----	1	SPRING, METERING LEVER	
26	-----	1	STRAINER	
27	-----	1	DIAPHRAGM, PUMP	
28	-----	1	GASKET, PUMP	
29	-----	1	GASKET, METERING	
30	-----	1	DIAPHRAGM, METERING	
31	P005000550	1	DIAPHRAGM/GASKET KIT	INCLUDES ITEMS 32-35
32	-----	1	DIAPHRAGM, PUMP	
33	-----	1	GASKET, PUMP	
34	-----	1	GASKET, METERING	
35	-----	1	DIAPHRAGM, METERING	

Footnotes

1: NOT AVAILABLE SEPARATELY

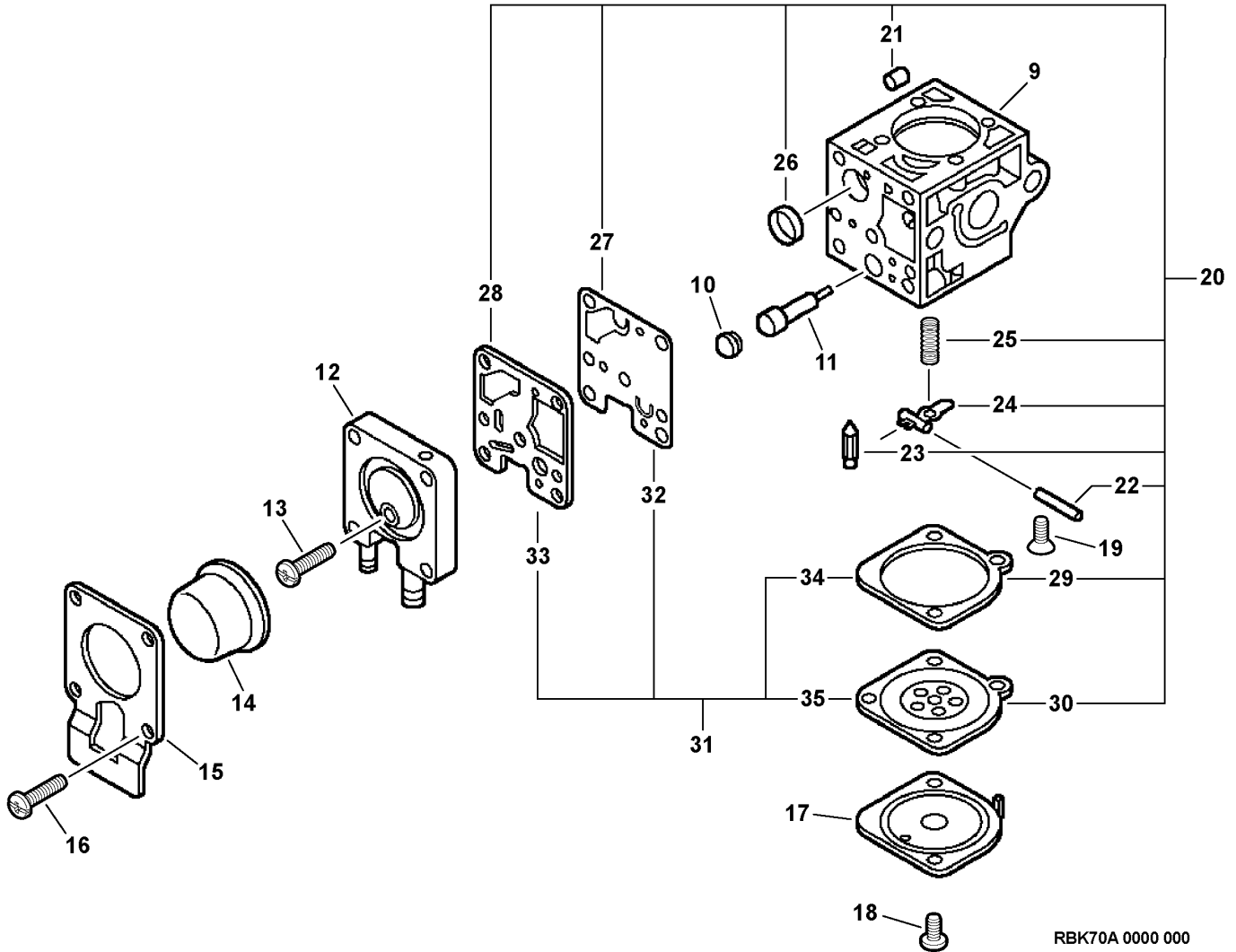
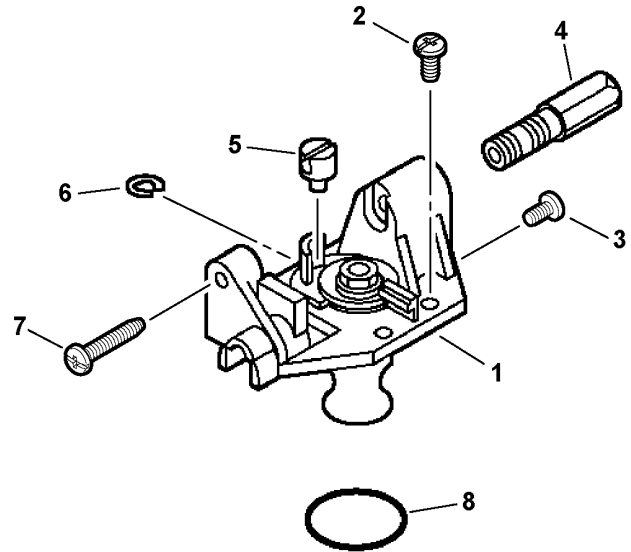


RBK70 0000 000

ITEM	PART NUMBER	QTY	DESCRIPTION	REMARKS
	A021000720	1	CARBURETOR -- RB-K70	
1	P005001230	1	ROTOR COVER ASY	
2	P005000120	1	NUT, CABLE	
3	12534413931	3	SCREW, ROTOR COVER ASY	
4	P005000700	1	SCREW, CABLE ADJUST	
5	P005001240	1	SWIVEL	
6	P005000190	1	E-RING	
7	P005000100	1	SCREW, THROTTLE ADJUST	
8	P005000280	1	O-RING	
9	-----	1	BODY, CARBURETOR ¹	
10	P005001270	1	PLUG	
11	P005001260	1	NEEDLE - HIGH SPEED	
12	P005000930	1	PURGE BASE ASY	
13	P005000270	1	SCREW, PURGE BASE ASY	
14	12538108660	1	BULB, PURGE	
15	P005000250	1	RETAINER, PURGE BULB	
16	12531061830	4	SCREW, PURGE BULB RETAINER	
17	12534252130	1	COVER, DIAPHRAGM	
18	12534452130	2	SCREW, DIAPHRAGM COVER	
19	12533942030	1	SCREW, METERING LEVER PIN	
20	P005000950	1	REPAIR KIT	INCLUDES ITEMS 21-30
21	P005001000	1	ROLLER, GUIDE	
22	-----	1	PIN, METERING LEVER	
23	-----	1	VALVE, INLET NEEDLE	
24	-----	1	LEVER, METERING	
25	-----	1	SPRING	
26	-----	1	STRAINER	
27	-----	1	DIAPHRAGM, PUMP	
28	-----	1	GASKET, PUMP	
29	-----	1	GASKET, METERING	
30	-----	1	DIAPHRAGM, METERING	
31	P005000550	1	DIAPHRAGM/GASKET KIT	INCLUDES ITEMS 32-35
32	-----	1	DIAPHRAGM, PUMP	
33	-----	1	GASKET, PUMP	
34	-----	1	GASKET, METERING	
35	-----	1	DIAPHRAGM, METERING	

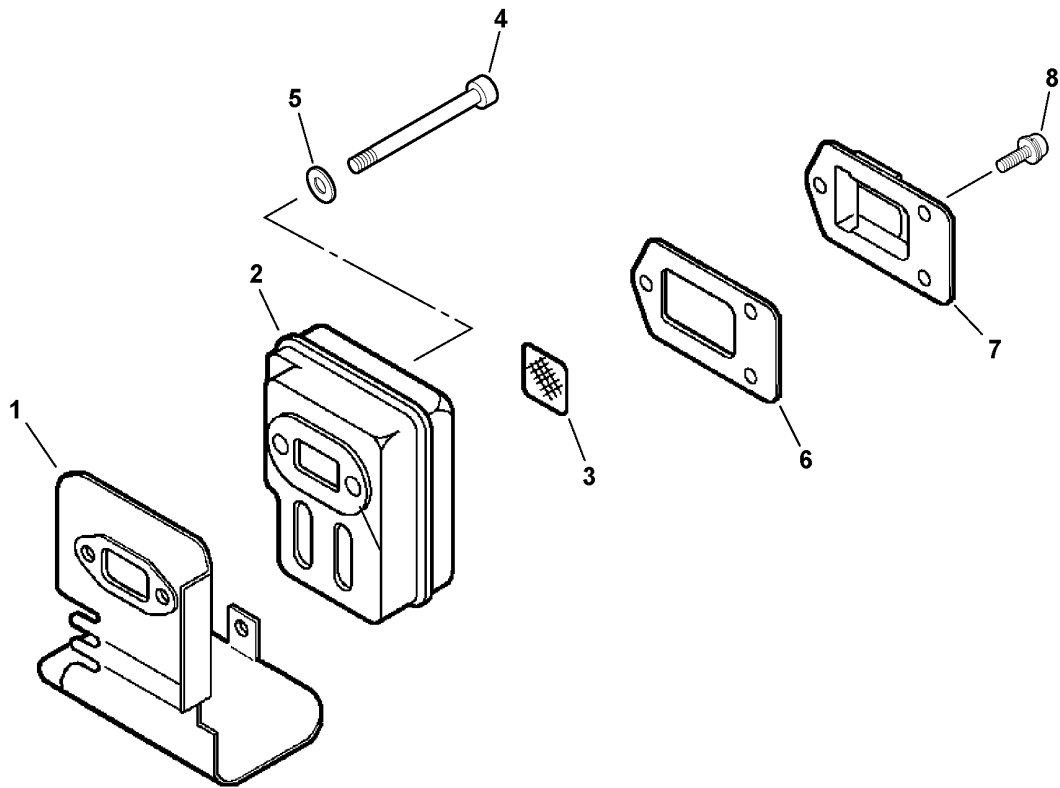
Footnotes

1: NOT AVAILABLE SEPARATELY



RBK70A 0000 000

ITEM	PART NUMBER	QTY	DESCRIPTION	REMARKS
	A021000721	1	CARBURETOR -- RB-K70A	
1	P005001620	1	ROTOR COVER ASY	
2	12534413931	3	SCREW, ROTOR COVER ASY	
3	12534452130	1	SCREW, ROTOR COVER	
4	P005001330	1	SCREW, CABLE ADJUST	
5	P005001240	1	SWIVEL	
6	P005000190	1	E-RING	
7	P005000100	1	SCREW, THROTTLE ADJUST	
8	P005000280	1	O-RING	
9	-----	1	BODY, CARBURETOR	NOT AVAILABLE SEPARATELY
10	P005001270	1	PLUG	
11	P005001260	1	NEEDLE - HIGH SPEED	
12	P005000930	1	PURGE BASE ASY	
13	P005000270	1	SCREW, PURGE BASE ASY	
14	12538108660	1	BULB, PURGE	
15	P005000250	1	RETAINER, PURGE BULB	
16	12531061830	4	SCREW, PURGE BULB RETAINER	
17	12534252130	1	COVER, DIAPHRAGM	
18	12534452130	3	SCREW, DIAPHRAGM COVER	
19	12533942030	1	SCREW, METERING LEVER PIN	
20	P005000950	1	REPAIR KIT	INCLUDES ITEMS 21-30
21	P005001000	1	ROLLER, GUIDE	
22	-----	1	PIN, METERING LEVER	
23	-----	1	VALVE, INLET NEEDLE	
24	-----	1	LEVER, METERING	
25	-----	1	SPRING, METERING LEVER	
26	-----	1	STRAINER	
27	-----	1	DIAPHRAGM, PUMP	
28	-----	1	GASKET, PUMP	
29	-----	1	GASKET, METERING	
30	-----	1	DIAPHRAGM, METERING	
31	P005000550	1	DIAPHRAGM/GASKET KIT	INCLUDES ITEMS 32-35
32	-----	1	DIAPHRAGM, PUMP	
33	-----	1	GASKET, PUMP	
34	-----	1	GASKET, METERING	
35	-----	1	DIAPHRAGM, METERING	

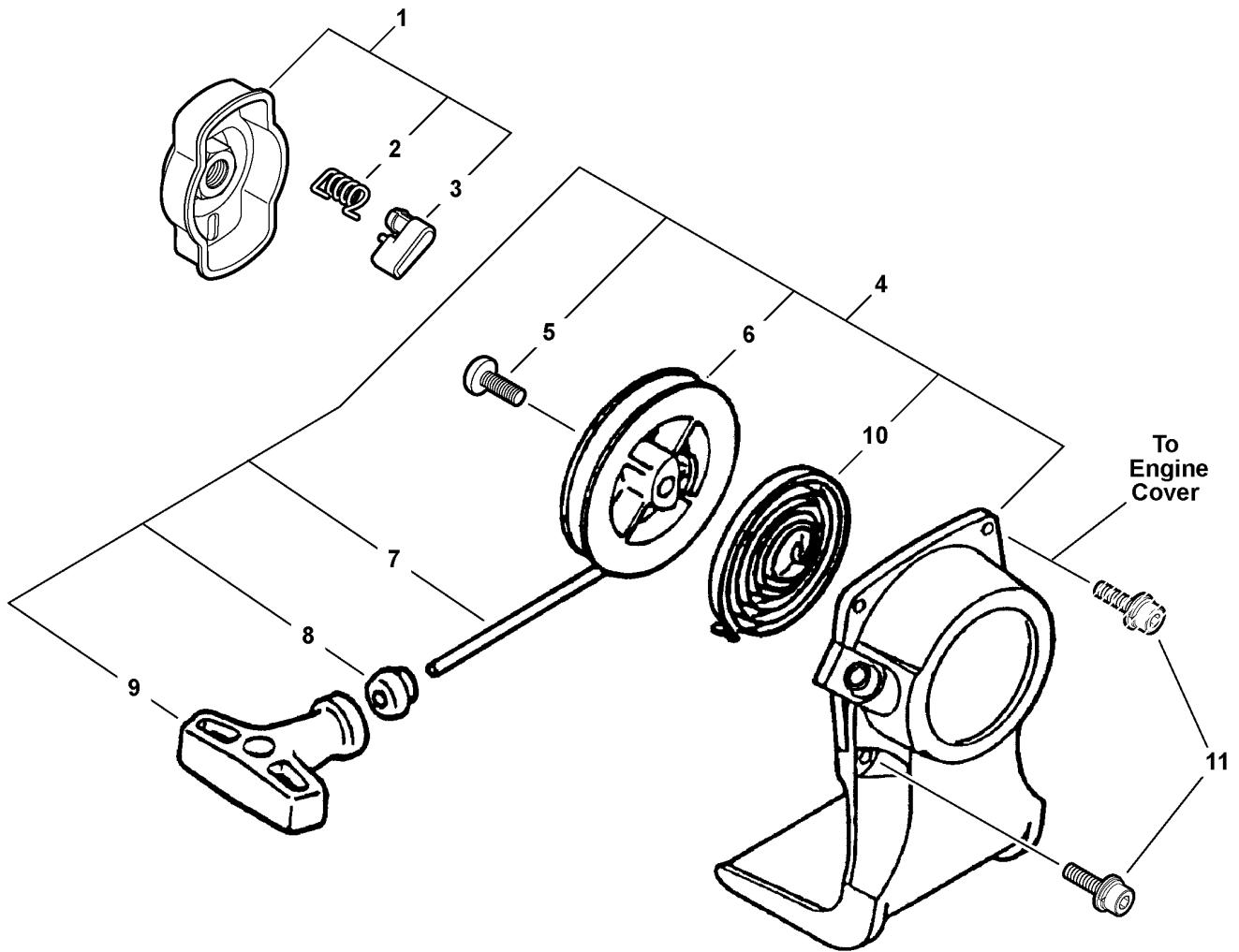


006 0010 000

ITEM	PART NUMBER	QTY	DESCRIPTION	REMARKS
1	V104000440	1	SHIELD, EXHAUST ¹	
2	14580642030	1	MUFFLER	
3	14586240630	1	SCREEN, MUFFLER	
4	90010505055	2	SCREW 5X55	
5	90060000005	2	WASHER	
6	14586642031	1	GASKET, EXHAUST	
7	A313000350	1	GUIDE, EXHAUST ¹	
8	90024204010	3	SCREW 4X10	

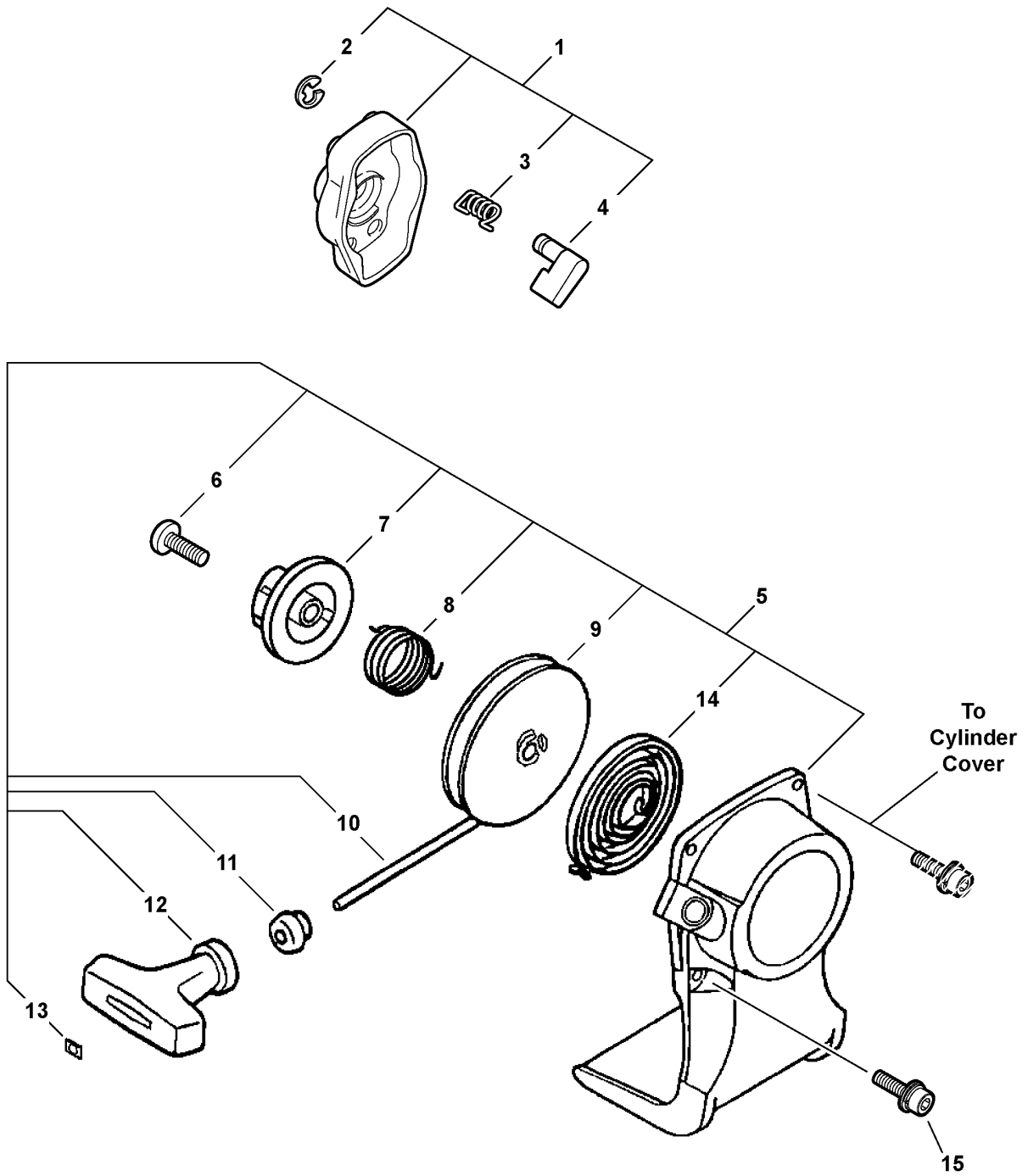
Footnotes

1: Also Included In GASKET KIT



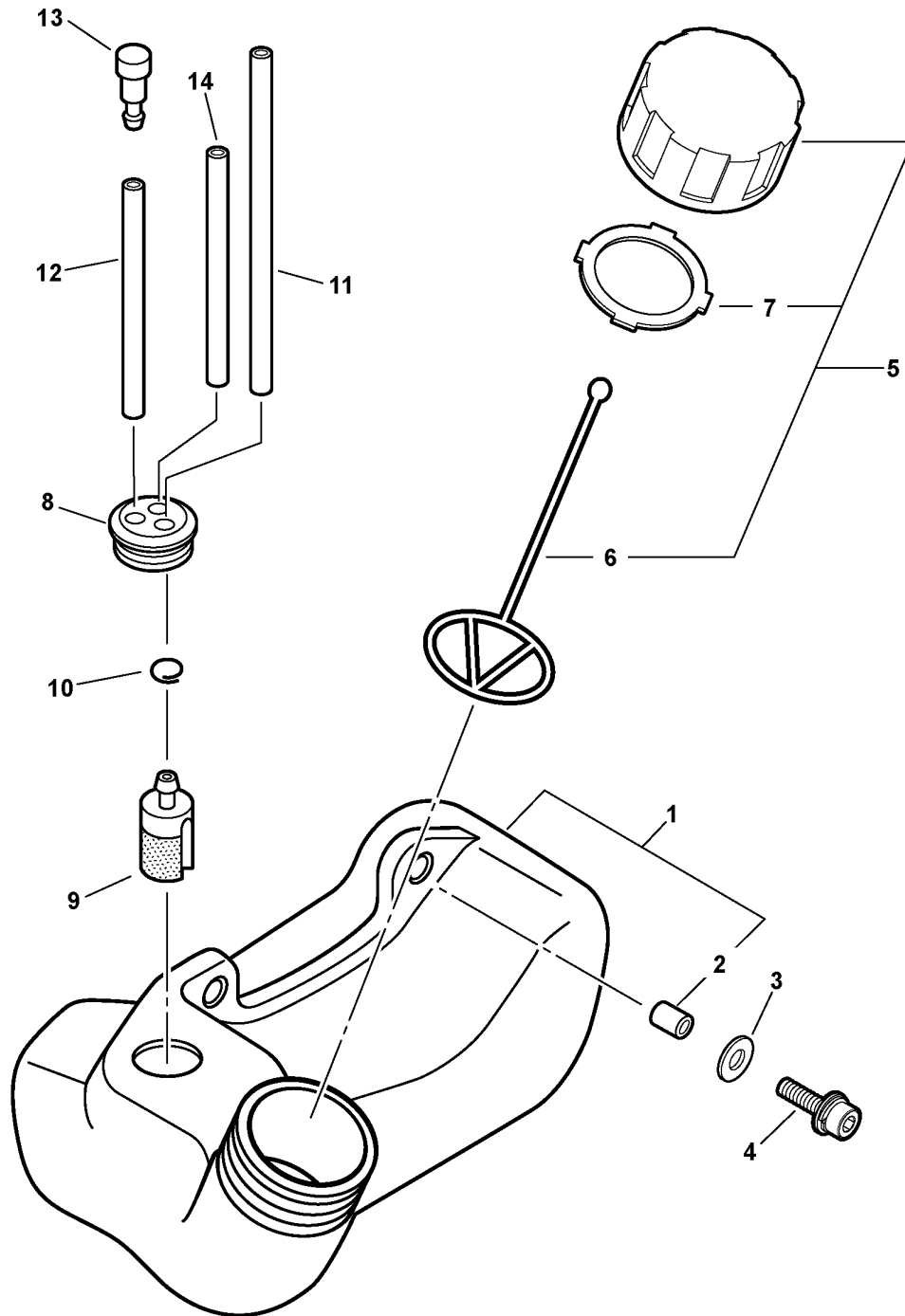
004 0022 000

ITEM	PART NUMBER	QTY	DESCRIPTION	REMARKS
1	17720244331	1	STARTER PAWL ASY	INCLUDES ITEMS 2-3
2	17723412220	1	SPRING, RETURN	
3	17721844330	1	PAWL, STARTER	
4	17720054130	1	STARTER ASY	INCLUDES ITEMS 5-10
5	17723644330	1	SCREW	
6	17721544430	1	DRUM, STARTER	
7	17722610120	1	ROPE, STARTER - 3X1000mm	REPOWER BULK OPTION: 99944440000
8	17722742030	1	GUIDE, ROPE	
9	17722806530	1	GRIP, STARTER	
10	17722042030	1	SPRING, REWIND	
11	90016304016	4	SCREW 4X16	



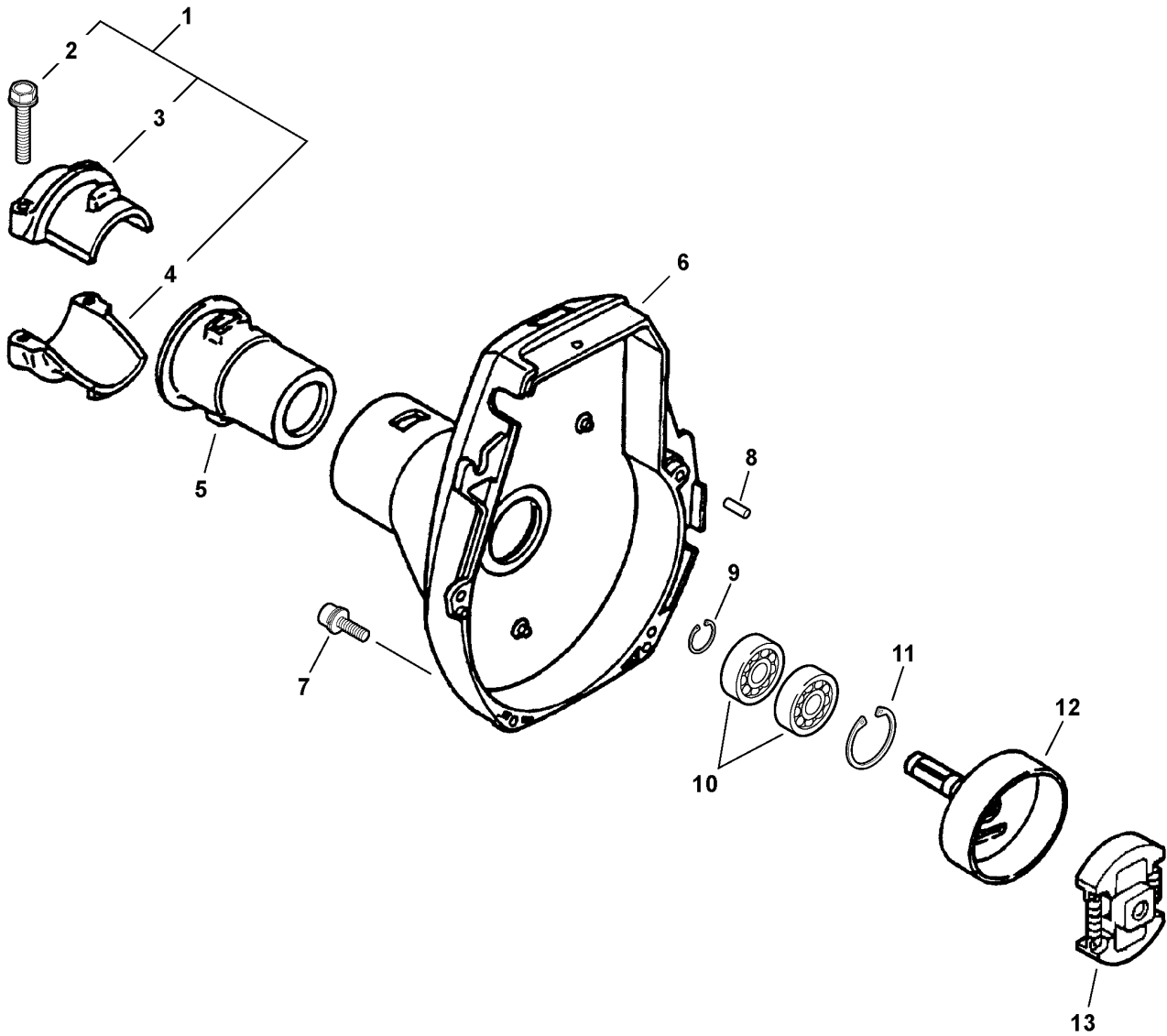
004 0009 000

ITEM	PART NUMBER	QTY	DESCRIPTION	REMARKS
1	A052000180	1	STARTER PAWL ASY	INCLUDES ITEMS 2-4
2	P022002100	2	E-RING	
3	P022006510	2	SPRING, PAWL RETURN	
4	P022006850	2	PAWL, STARTER	
5	A051000680	1	STARTER ASY	INCLUDES ITEMS 6-14
6	17723661830	1	SCREW	
7	P022008280	1	PLATE, CAM	
8	P022008270	1	SPRING, DAMPER	
9	P022006830	1	DRUM	
10	P022008260	1	ROPE, STARTER - 3X700mm	REPOWER BULK OPTION: 99944440000
11	17722742030	1	GUIDE, ROPE	
12	17722827030	1	GRIP, STARTER	
13	17724611120	1	CLIP, STARTER ROPE	
14	17722042030	1	SPRING, REWIND	
15	90016304016	4	SCREW 4X16	



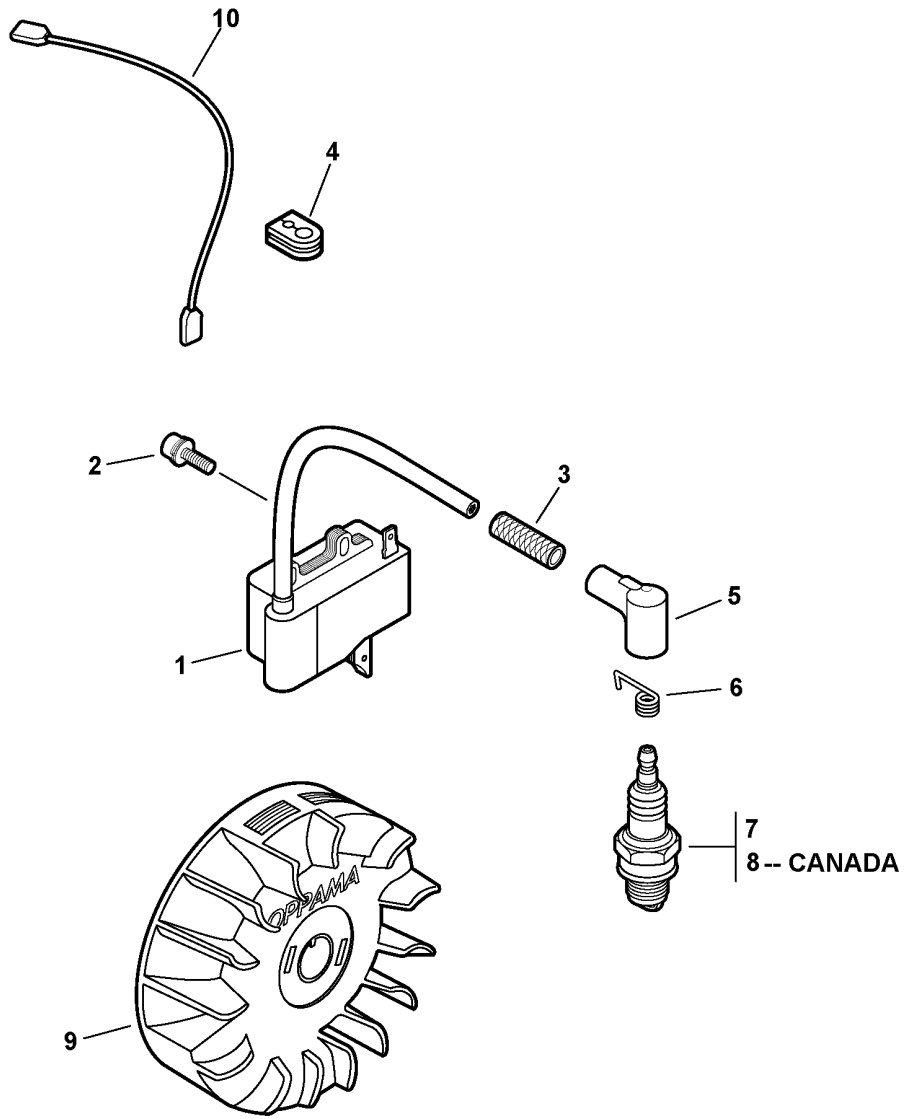
002 0006 000

ITEM	PART NUMBER	QTY	DESCRIPTION	REMARKS
1	A350000220	1	FUEL TANK ASY	INCLUDES ITEM 2
2	13104528230	2	SPACER	
3	90060300005	2	WASHER 5	
4	90016205016	2	SCREW 5X16	
5	13100455530	1	CAP ASY	INCLUDES ITEMS 6-7
6	13105156030	1	CONNECTOR, CAP	
7	13101655830	1	GASKET, CAP	
8	V137000030	1	GROMMET	
9	13120507320	1	FILTER, FUEL	
10	13201309820	1	CLIP	
11	V471001190	1	PIPE, FUEL - 3X5X180mm	REPOWER BULK OPTION: 90014
12	V471001200	1	PIPE, VENT - 3X5X70mm	REPOWER BULK OPTION: 90014
13	A356000030	1	VENT ASY	
14	13201256030	1	PIPE, RETURN - 3X6X80mm	REPOWER BULK OPTION: 90017



003 0005 000

ITEM	PART NUMBER	QTY	DESCRIPTION	REMARKS
1	61090355230	1	HOLDER KIT	INCLUDES ITEMS 2-4
2	90014205025	2	BOLT 5X25	
3	61092227432	1	HOLDER	
4	61092355230	1	HOLDER	
5	61091055230	1	CUSHION	
6	10150352131	1	FAN COVER ASY	
7	90016304016	4	SCREW 4X16	
8	V622000020	2	DOWEL PIN	
9	90070100012	1	CIRCLIP 12	
10	90080796001	2	BEARING, BALL - 6001	
11	90070200028	1	CIRCLIP 28	
12	17500548931	1	DRUM, CLUTCH	
13	17500056830	1	CLUTCH ASY	

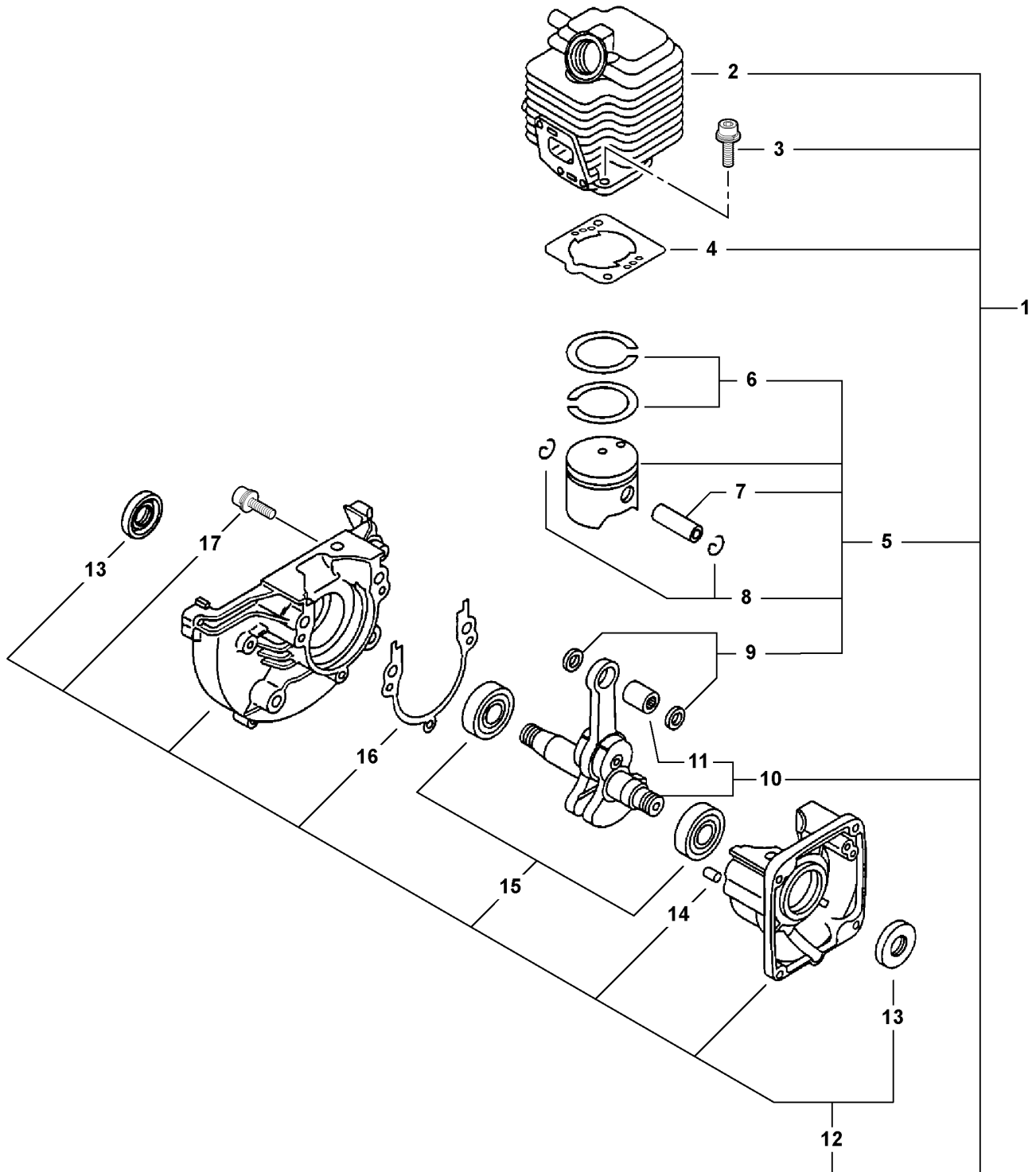


007 0043 000

ITEM	PART NUMBER	QTY	DESCRIPTION	REMARKS
1	A411000140	1	COIL, IGNITION	
2	90016204020	2	SCREW 4X20	
3	15611054930	1	TUBE, INSULATOR	
4	15611240630	1	BUSHING	
5	15901201620	1	CAP, SPARK PLUG	
6	15901103432	1	TERMINAL, SPARK PLUG CAP	
7	15901019830	1	SPARK PLUG -- BPM-8Y ¹	
8	A425000000	1	SPARK PLUG -- BPMR-8Y ¹	CANADA MODELS
9	A409000160	1	FLYWHEEL	
10	16201052830	1	LEAD, IGNITION	

Footnotes

1: Also Included In REPOWER TUNE-UP KIT

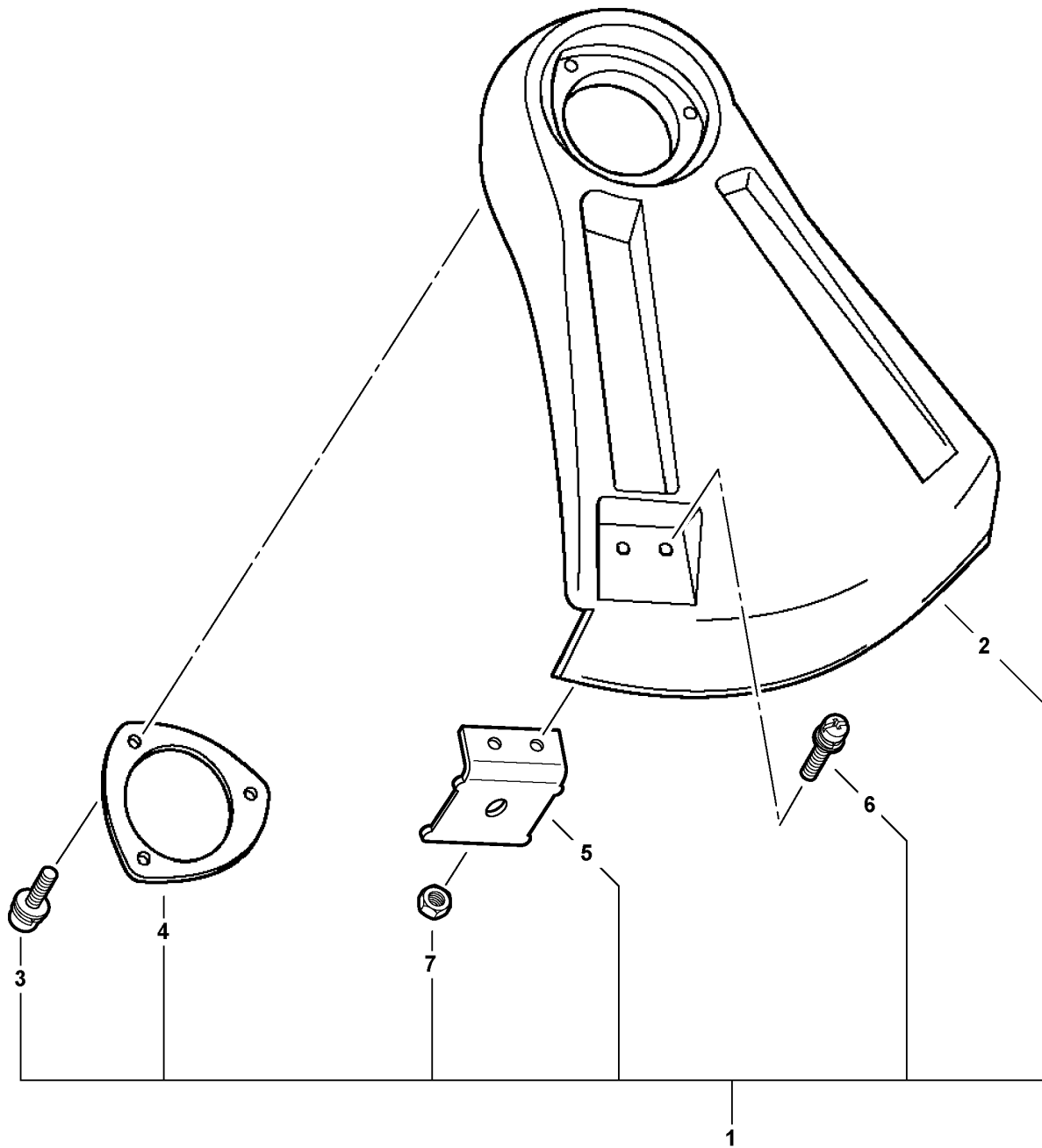


SB1065 0000 000

ITEM	PART NUMBER	QTY	DESCRIPTION	REMARKS
1	SB1065	1	SHORT BLOCK	INCLUDES ITEM 2-17
2	A130000430	1	CYLINDER	
3	90016205022	2	SCREW 5X22	
4	V100000080	1	GASKET, CYLINDER ¹	
5	P021001101	1	PISTON KIT	INCLUDES ITEMS 6-9
6	A101000000	2	RING, PISTON	
7	10001311520	1	PIN, PISTON	
8	10001504630	2	CIRCLIP, PISTON PIN	
9	10001411520	2	SPACER, PISTON PIN	
10	A011000101	1	CRANKSHAFT ASY	INCLUDES ITEM 11
11	V553000010	1	BEARING, NEEDLE	
12	10020452131	1	CRANKCASE KIT ¹	INCLUDES ITEMS 13-17
13	10021242031	2	OIL SEAL	
14	V622000020	2	DOWEL PIN	
15	9403536201	2	BEARING, BALL - 6201	
16	10024242030	1	GASKET, CRANKCASE	
17	90016205028	3	SCREW 5X28	

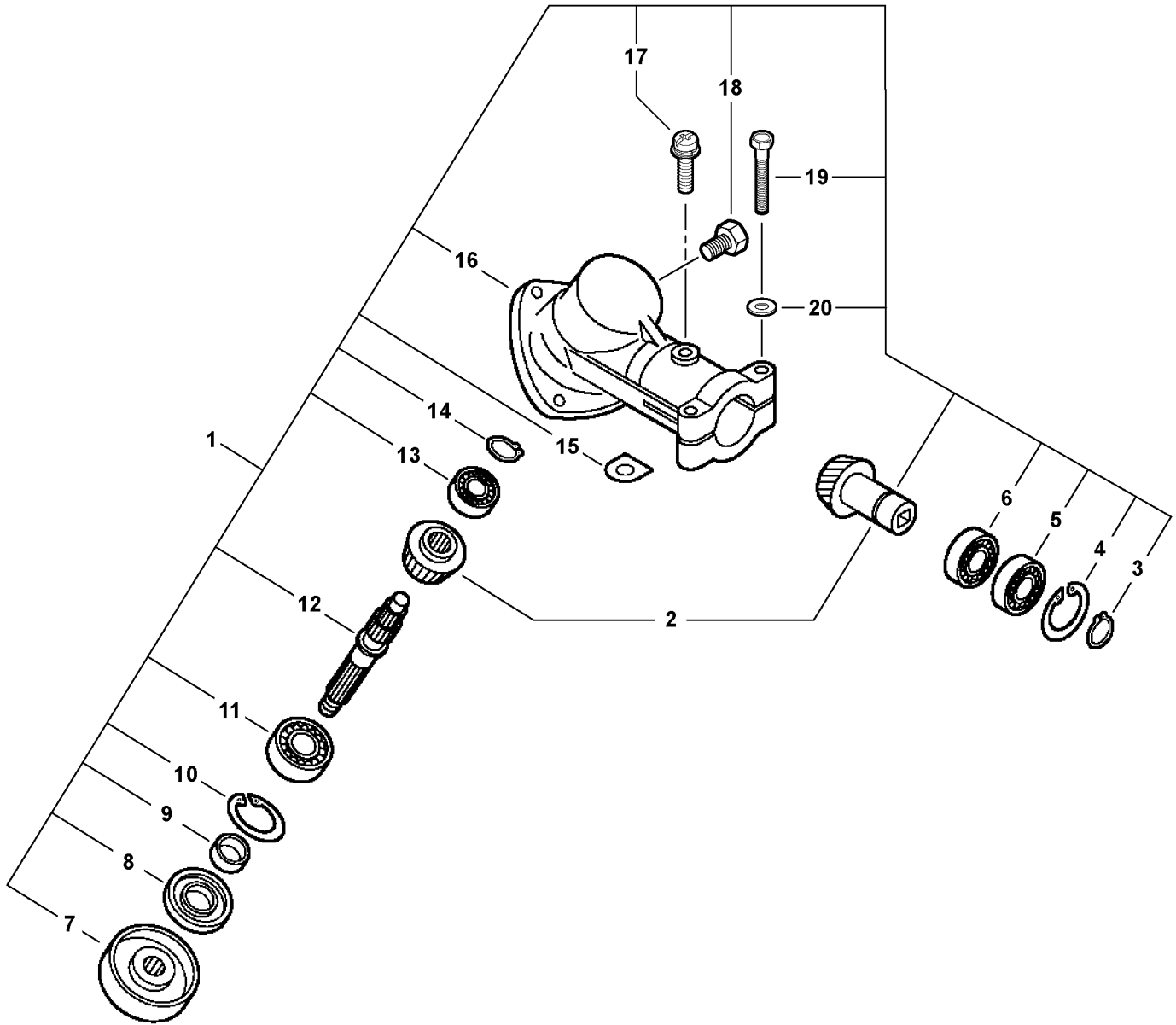
Footnotes

1: Also Included In GASKET KIT



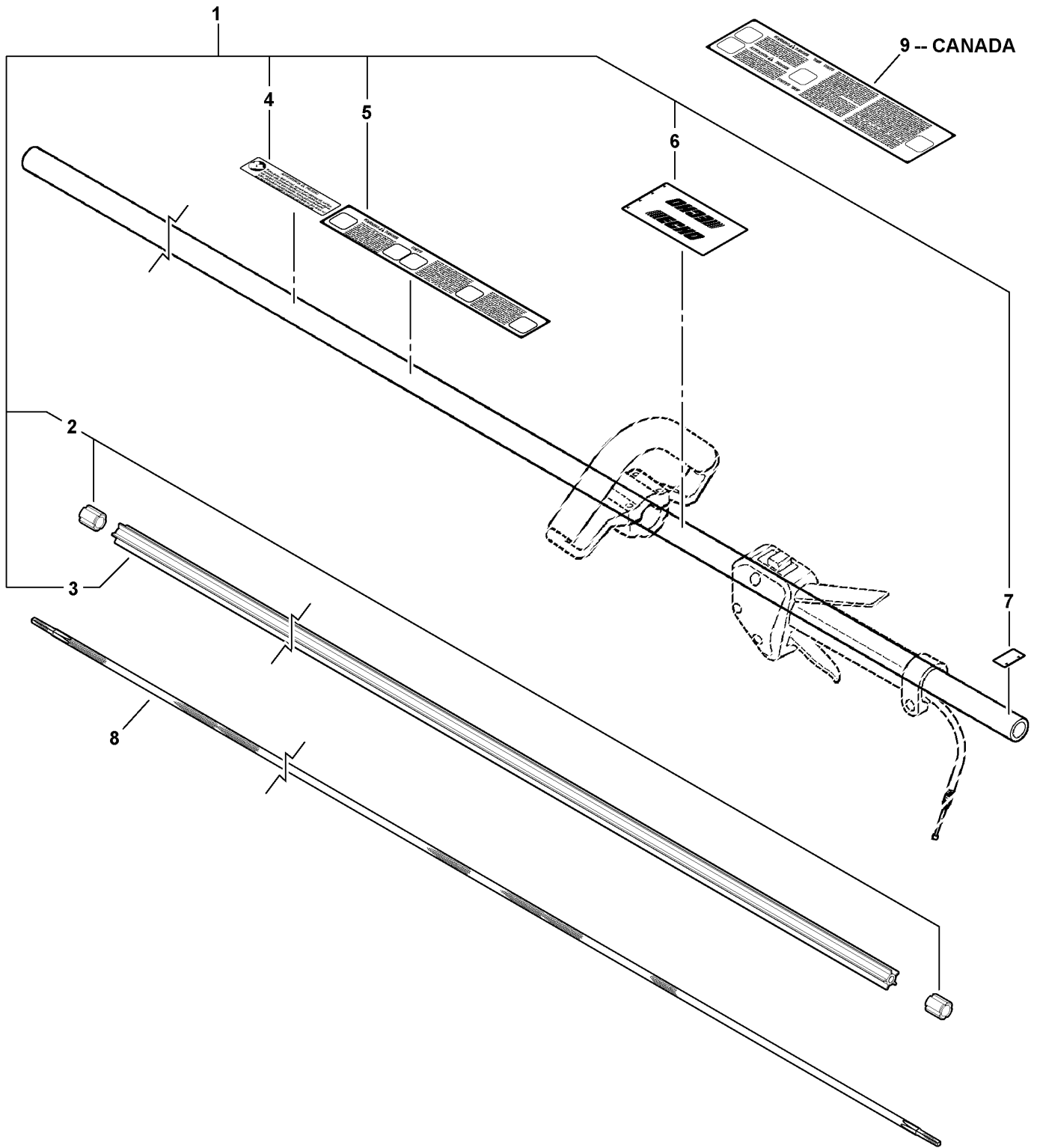
034 0001 000

ITEM	PART NUMBER	QTY	DESCRIPTION	REMARKS
1	P021001392	1	PLASTIC SHIELD KIT	INCLUDES ITEMS 2-7
2	C550000031	1	SHIELD - PLASTIC	
3	90023805020	3	SCREW 5X20	
4	C552000110	1	FLANGE, SHIELD	
5	69901644330	1	CUTTER, LINE	
6	90023805016	2	SCREW 5X16	
7	90050000005	2	NUT 5	



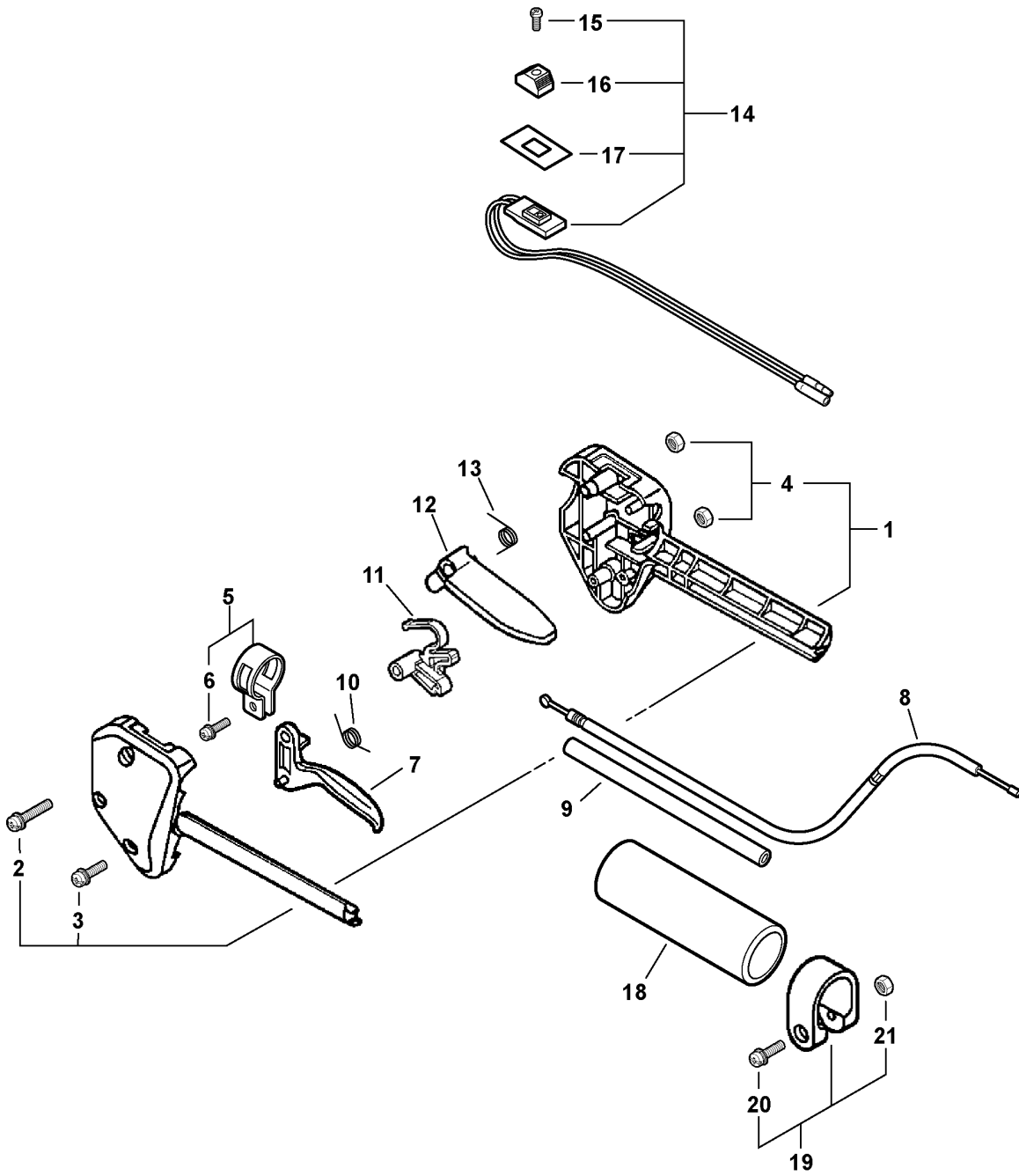
032 0001 000

ITEM	PART NUMBER	QTY	DESCRIPTION	REMARKS
1	61040247732	1	GEAR CASE ASY	INCLUDES ITEMS 2-20
2	61030044830	1	GEAR SET	
3	90070600010	1	CIRCLIP 10	
4	90070200022	1	CIRCLIP 22	
5	90085806900	1	BEARING, BALL - 6900Z	
6	90085506900	1	BEARING, BALL - 6900	
7	61031347731	1	PLATE, ADAPTER (UPPER)	
8	61041307130	1	OIL SEAL	
9	61031507130	1	SPACER	
10	90070200032	1	CIRCLIP 32	
11	9403536201	1	BEARING, BALL - 6201	
12	61036008931	1	SHAFT, P.T.O.	
13	90080000609	1	BEARING, BALL - 609	
14	90070600012	1	CIRCLIP 12	
15	61023904130	2	WASHER, SHIM	
16	61046027431	1	HOUSING, GEAR	
17	90024205010	1	SCREW 5X10	
18	61043450031	1	BOLT 8X8	
19	90010005035	2	BOLT 5X35	
20	90060000005	2	WASHER 5	



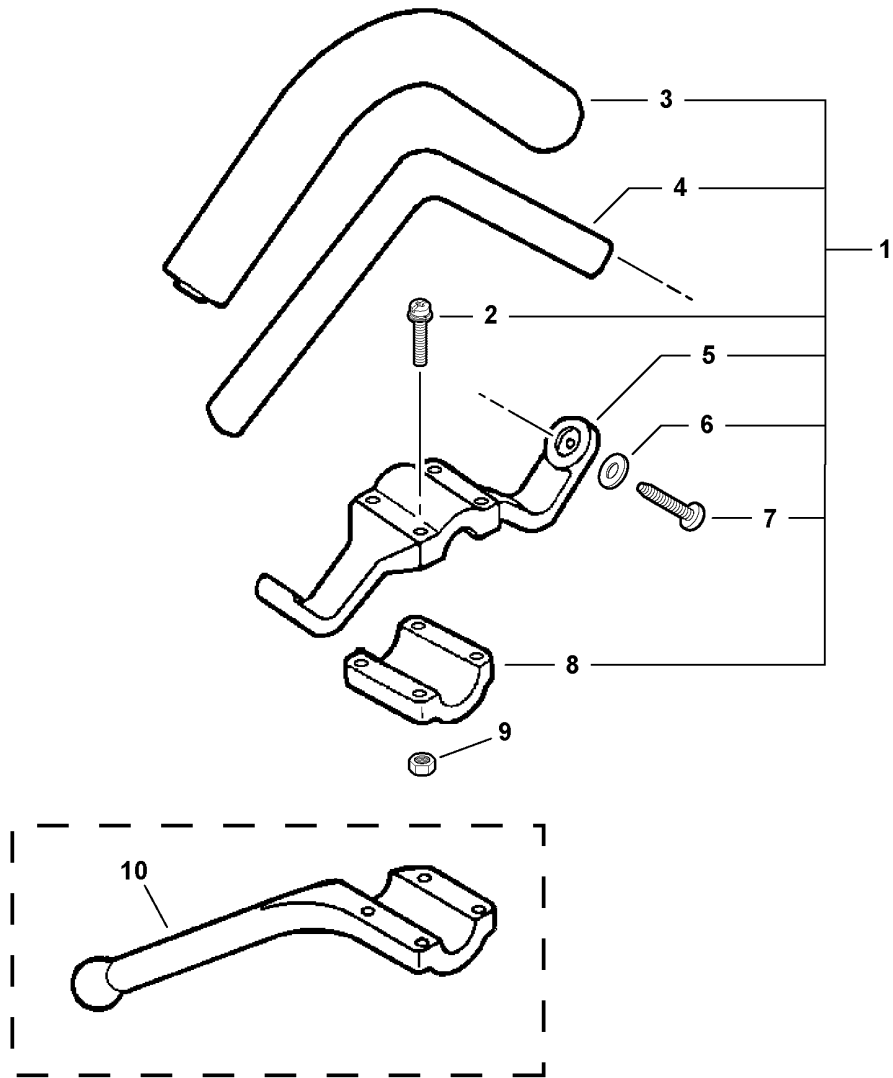
031 0009 000

ITEM	PART NUMBER	QTY	DESCRIPTION	REMARKS
1	61060944730	1	MAIN PIPE ASY	INCLUDES ITEMS 2-7
2	61024644730	2	STOPPER	
3	61021744730	1	LINER, FLEXIBLE	
4	89022809560	1	LABEL - CAUTION -- SPANISH	
5	89016054130	1	LABEL, CAUTION - US	
6	X505001930	1	LABEL - HANDLE LOCATION	
7	89015204930	1	LABEL - PIPE LOCATION	
8	61001344730	1	DRIVESHAFT - FLEXIBLE	
9	89031749030	1	LABEL, CAUTION - CANADA	



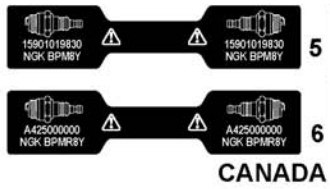
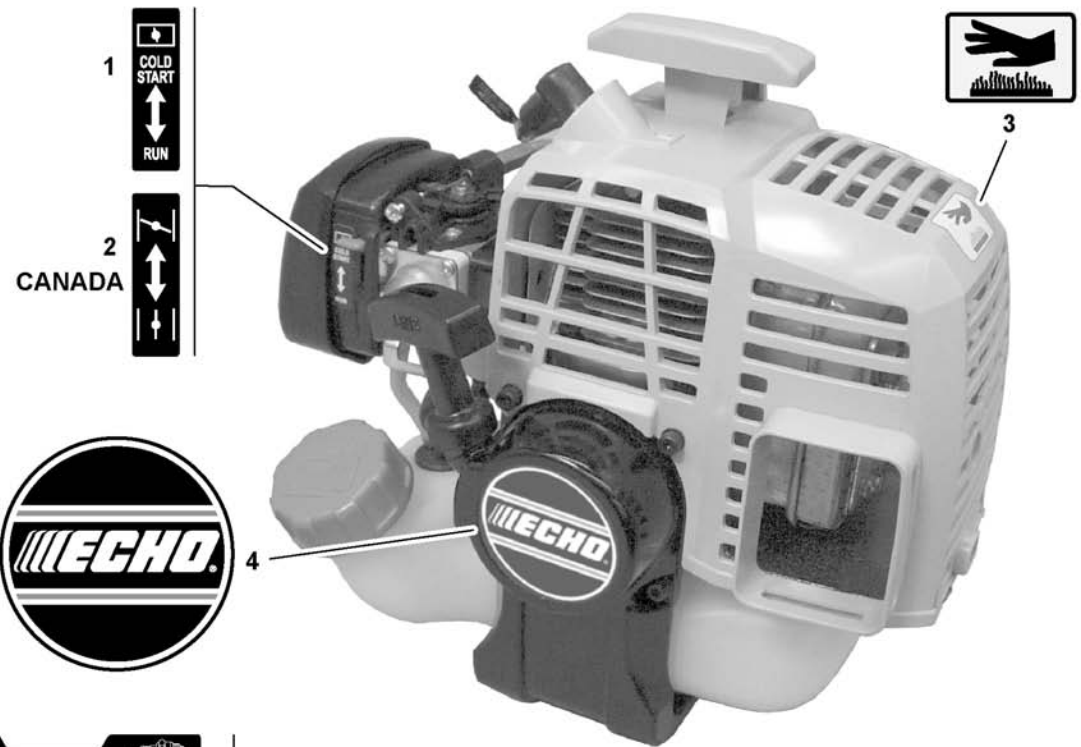
030 0035 000

ITEM	PART NUMBER	QTY	DESCRIPTION	REMARKS
1	17800352130	1	CONTROL HANDLE KIT	INCLUDES ITEMS 2-4
2	90024205035	1	SCREW 5X35	
3	90024205025	1	SCREW 5X25	
4	90050000005	2	NUT 5	
5	30120029430	1	BAND ASY	INCLUDES ITEM 6
6	90024205014	1	SCREW 5X14	
7	17801052130	1	TRIGGER, THROTTLE	
8	V430000730	1	CABLE, THROTTLE	
9	17812750330	1	TUBE, VINYL	
10	17804342230	1	SPRING, THROTTLE RETURN	
11	17801252730	1	LOCKOUT, THROTTLE TRIGGER	
12	17809052631	1	LEVER, THROTTLE TRIGGER LOCKOUT	
13	17801352630	1	SPRING, THROTTLE LOCKOUT	
14	16340155631	1	IGNITION SWITCH KIT	INCLUDES ITEMS 15-17
15	9154503010	1	SCREW 3X10	
16	16341049231	1	KNOB, SWITCH	
17	89015712330	1	COVER, SWITCH	
18	35121352130	1	GRIP, HANDLE	
19	61027252130	1	CLAMP KIT	INCLUDES ITEMS 20-21
20	90024205028	1	SCREW 5X28	
21	90050000005	1	NUT 5	



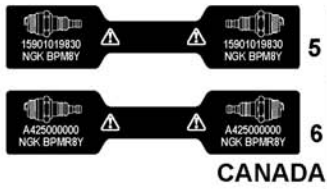
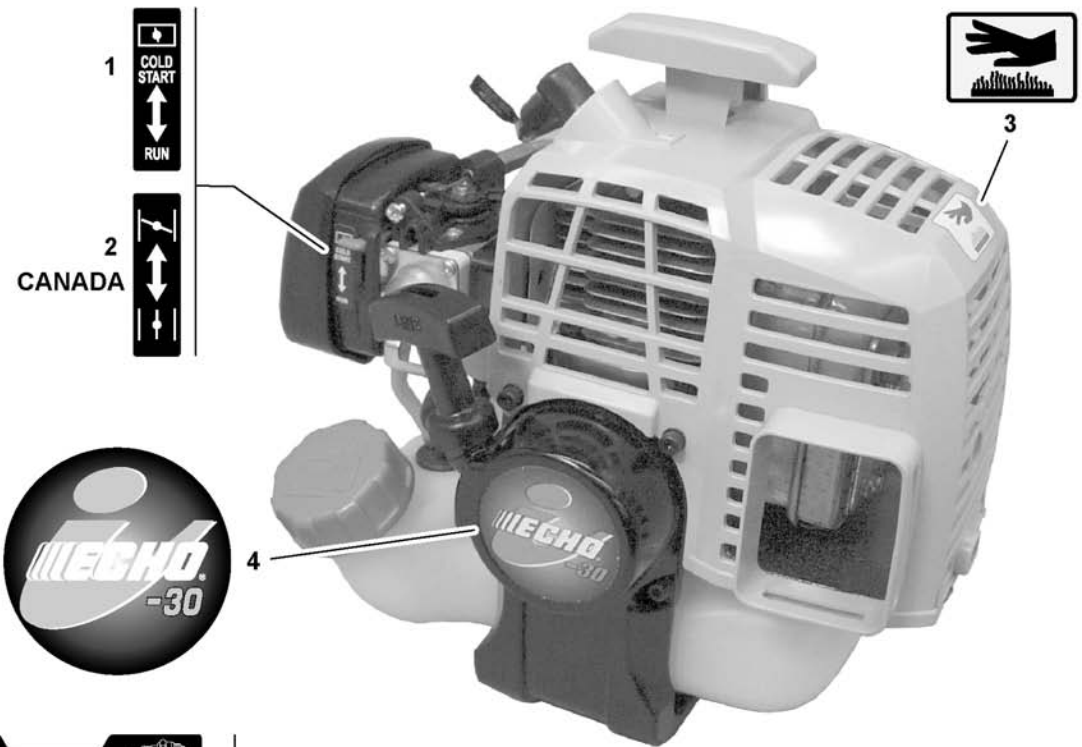
030 0008 000

ITEM	PART NUMBER	QTY	DESCRIPTION	REMARKS
1	P021000021	1	FRONT HANDLE ASY	INCLUDES ITEMS 2-9
2	90024205035	4	SCREW 5X35	
3	35121666230	1	GRIP, HANDLE	
4	35120566230	1	HANDLE, FRONT	
5	35123266230	1	BRACKET, HANDLE - UPPER	
6	90060000005	2	WASHER 5	
7	90025305020	2	SCREW 5	
8	35122507130	1	BRACKET, HANDLE - LOWER	
9	90050000005	4	NUT 5	
10	99944200455	1	BAR, BARRIER	



100 0086 00B

ITEM	PART NUMBER	QTY	DESCRIPTION	REMARKS
1	89012152730	1	LABEL - CHOKE	
2	89033252730	1	LABEL - CHOKE	CANADA MODELS
3	89016006361	1	LABEL - CAUTION -- HOT	
4	X502000310	1	LABEL - ECHO	
5	X532000671	1	LABEL - SPARK PLUG -- BPM-8Y	
6	X532000720	1	LABEL - SPARK PLUG -- BPMR-8Y	CANADA MODELS
7	X543000170	1	LABEL - MODEL -- SRM-210	
8	X543000180	1	LABEL - MODEL -- SRM-210SB	
9	X543000190	1	LABEL - MODEL -- SRM-210U	
10	X503001290	1	LABEL - MODEL -- SRM-211	
11	X503001580	1	LABEL - MODEL -- SRM-211SB	
12	X503001690	1	LABEL - MODEL -- SRM-211U	



100 0086 00C

ITEM	PART NUMBER	QTY	DESCRIPTION	REMARKS
1	89012152730	1	LABEL - CHOKE	
2	89033252730	1	LABEL - CHOKE	CANADA MODELS
3	89016006361	1	LABEL - CAUTION -- HOT	
4	X502000150	1	LABEL - ECHO	
5	X532000671	1	LABEL - SPARK PLUG -- BPM-8Y	
6	X532000720	1	LABEL - SPARK PLUG -- BPMR-8Y	CANADA MODELS
7	X543000170	1	LABEL - MODEL -- SRM-210	
8	X543000180	1	LABEL - MODEL -- SRM-210SB	
9	X543000190	1	LABEL - MODEL -- SRM-210U	
10	X503001290	1	LABEL - MODEL -- SRM-211	
11	X503001580	1	LABEL - MODEL -- SRM-211SB	
12	X503001690	1	LABEL - MODEL -- SRM-211U	

Use Gasket Kit	Contains:	Service Number	Description
P021004270		10024242030	GASKET, CRANKCASE
		13001013410	GASKET, INTAKE
		13001042032	GASKET, INTAKE
		14586642031	GASKET, EXHAUST
		V100000080	GASKET, CYLINDER
		V104000360	GASKET, EXHAUST
		V104000420	SHIELD, EXHAUST
		V104000440	GASKET, EXHAUST

300 0031 000

<u>ITEM</u>	<u>PART NUMBER</u>	<u>QTY</u>	<u>DESCRIPTION</u>	<u>REMARKS</u>
1	P021004270	1	GASKET KIT	

RePower Tune-Up Kit	Contains: Service Number	Description
90074	13031054130	AIR FILTER
	13120507320	FUEL FILTER
	15901019830	SPARK PLUG BPM-8Y

<u>ITEM</u>	<u>PART NUMBER</u>	<u>QTY</u>	<u>DESCRIPTION</u>	<u>REMARKS</u>
1	90074	1	TUNE-UP KIT	

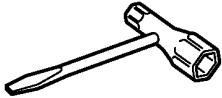
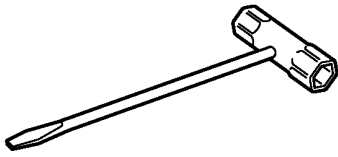
SOCKET WRENCH W/SCREWDRIVER (Also Remove Spark Plugs)

1 - 89541010630 -- 17X19mm

2 - X602000020 -- 17X19mm

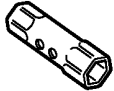
3 - 89541039131 -- 10X19mm

4 - 89541006960 -- 13X19mm



SOCKET WRENCH

5 - X602000031 -- 17X14.5mm



LOCKING BAR

6 - 89751801131 -- 5X120mm



OPEN END WRENCH

7 - 89511200330 -- 8X10mm



8 - 89512220960 -- 17X19mm

9 - 89501505260 -- 10mm



HEX BAR

10 - 89541220960 -- 10mm



L-WRENCH

11 - 89561203430 -- 3mm HEX KEY



12 - 89561000130 -- 4mm HEX KEY



13 - 89561100330 -- 5mm HEX KEY

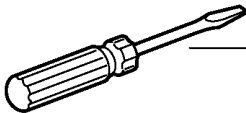


14 - X605000050 -- 3mm TORX

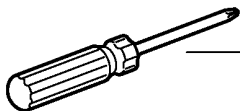


SCREWDRIVER

15 - 89581100130 -- 125mm SLOTTED



16 - 89581203930 -- 50mm PHILLIPS



200 0002 000

ITEM	PART NUMBER	QTY	DESCRIPTION	REMARKS
1	89541010630	1	SOCKET WRENCH/SCREWDRIVER	17X19mm
2	X602000020	1	SOCKET WRENCH/SCREWDRIVER	17X19mm
3	89541039131	1	SOCKET WRENCH/SCREWDRIVER	10X19mm
4	89541006960	1	SOCKET WRENCH/SCREWDRIVER	13X19mm
5	X602000031	1	SOCKET WRENCH	17X14.5mm
6	89751801131	1	LOCKING BAR	5X120mm
7	89511200330	1	OPEN END WRENCH	8X10mm
8	89512220960	1	OPEN END WRENCH	17X19mm
9	89501505260	1	OPEN END WRENCH	10mm
10	89541220960	1	HEX BAR	10mm
11	89561203430	1	HEX KEY	3mm
12	89561000130	1	HEX KEY	4mm
13	89561100330	1	HEX KEY	5mm
14	X605000050	1	TORX KEY	3mm
15	89581100130	1	SCREWDRIVER	SLOTTED HEAD
16	89581203930	1	SCREWDRIVER	PHILLIPS HEAD



Part Number Index

Click The Page Number After Any Part Number To View The Diagram Containing That Part.

Part Number	Page	Part Number	Page	Part Number	Page
-----	7, 9, 11, 13	61030044830	31	A021000720	11
10001311520	27	61031347731	31	A021000721	13
10001411520	27	61031507130	31	A051000680	19
10001504630	27	61036008931	31	A052000180	19
10020452131	27	61040247732	31	A101000000	27
10021242031	27	61041307130	31	A130000430	27
10024242030	27	61043450031	31	A160000181	5
10150352131	23	61046027431	31	A162000050	5
12531061830	9, 11, 13	61060944730	33	A313000350	15
12533942030	9, 11, 13	61090355230	23	A350000220	21
12534252130	9, 11, 13	61091055230	23	A356000030	21
12534413931	9, 11, 13	61092227432	23	A409000160	25
12534452130	9, 11, 13	61092355230	23	A411000140	25
12538108660	9, 11, 13	69901644330	29	A425000000	25
12901152730	7	89012152730	39, 41	C550000031	29
13001013410	7	89015204930	33	C552000110	29
13001042032	7	89015712330	35	P005000100	9, 11, 13
13001744330	7	89016006361	39, 41	P005000120	9, 11
13031054130	7	89016054130	33	P005000180	9
13031305863	7	89022809560	33	P005000190	9, 11, 13
13031306563	7	89031749030	33	P005000250	9, 11, 13
13100455530	21	89033252730	39, 41	P005000270	9, 11, 13
13101655830	21	89501505260	47	P005000280	9, 11, 13
13104528230	21	89511200330	47	P005000370	9
13105156030	21	89512220960	47	P005000550	9, 11, 13
13120507320	21	89541006960	47	P005000570	9
13201256030	21	89541010630	47	P005000690	9
13201309820	21	89541039131	47	P005000700	9, 11
14580642030	15	89541220960	47	P005000930	9, 11, 13
14586240630	15	89561000130	47	P005000950	9, 11, 13
14586642031	15	89561100330	47	P005001000	9, 11, 13
15611054930	25	89561203430	47	P005001230	11
15611240630	25	89581100130	47	P005001240	11, 13
15901019830	25	89581203930	47	P005001260	11, 13
15901103432	25	89751801131	47	P005001270	11, 13
15901201620	25	90010005035	31	P005001330	13
16201052830	25	90010505055	15	P005001620	13
16340155631	35	90014205025	23	P021000021	37
16341049231	35	90016204020	25	P021000991	7
17500056830	23	90016205016	21	P021001101	27
17500548931	23	90016205022	27	P021001392	29
17720054130	17	90016205028	27	P021004270	43
17720244331	17	90016304016	5, 17, 19, 23	P021004480	7
17721544430	17	90022005065	7	P022002100	19
17721844330	17	90023805016	5, 29	P022006510	19
17722042030	17, 19	90023805020	7, 29	P022006830	19
17722610120	17	90024204010	15	P022006850	19
17722742030	17, 19	90024205010	31	P022008260	19
17722806530	17	90024205014	35	P022008270	19
17722827030	19	90024205025	35	P022008280	19
17723412220	17	90024205028	35	SB1065	27
17723644330	17	90024205035	35, 37	V100000080	27
17723661830	19	90025305020	37	V104000440	15
17724611120	19	90050000005	7, 29, 35, 37	V137000030	21
17800352130	35	90060000005	15, 31, 37	V430000730	35
17801052130	35	90060300005	21	V471001190	21
17801252730	35	90070100012	23	V471001200	21
17801352630	35	90070200022	31	V553000010	27
17804342230	35	90070200028	23	V622000020	23, 27
17809052631	35	90070200032	31	X502000150	41
17812750330	35	90070600010	31	X502000310	39
21041752730	7	90070600012	31	X503001290	39, 41
30120029430	35	90074	45	X503001580	39, 41
35120566230	37	90080000609	31	X503001690	39, 41
35121352130	35	90080796001	23	X505001930	33
35121666230	37	90085506900	31	X532000671	39, 41
35122507130	37	90085806900	31	X532000720	39, 41
35123266230	37	9110704008	5	X543000170	39, 41
61001344730	33	9154503010	35	X543000180	39, 41
61021744730	33	9403536201	27, 31	X543000190	39, 41
61023904130	31	99944200455	37	X602000020	47
61024644730	33	A011000101	27	X602000031	47
61027252130	35	A021000382	9	X605000050	47



Part Description Index

Click The Page Number After Any Part Description To View The Diagram Containing That Part.

B

BAND ASY.....35
 BAR, BARRIER.....37
 BEARING, BALL - 6001.....23
 BEARING, BALL - 609.....31
 BEARING, BALL - 6201.....27, 31
 BEARING, BALL - 6900.....31
 BEARING, BALL - 6900Z.....31
 BEARING, NEEDLE.....27
 BODY, CARBURETOR.....9, 11, 13
 BOLT 5X25.....23
 BOLT 5X35.....31
 BOLT 8X8.....31
 BRACKET, HANDLE - LOWER.....37
 BRACKET, HANDLE - UPPER.....37
 BULB, PURGE.....9, 11, 13
 BUSHING.....25

C

CABLE, THROTTLE.....35
 CAP ASY.....21
 CAP, SPARK PLUG.....25
 CARBURETOR.....7
 CARBURETOR -- RB-K66B.....9
 CARBURETOR -- RB-K70.....11
 CARBURETOR -- RB-K70A.....13
 CASE, AIR CLEANER - BLACK.....7
 CASE, AIR CLEANER - GRAY.....7
 CIRCLIP 10.....31
 CIRCLIP 12.....23, 31
 CIRCLIP 22.....31
 CIRCLIP 28.....23
 CIRCLIP 32.....31
 CIRCLIP, PISTON PIN.....27
 CLAMP KIT.....35
 CLIP.....21
 CLIP, STARTER ROPE.....19
 CLUTCH ASY.....23
 COIL, IGNITION.....25
 CONNECTOR, CAP.....21
 CONTROL HANDLE KIT.....35
 COVER, DIAPHRAGM.....9, 11, 13
 COVER, ENGINE.....5
 COVER, SWITCH.....35
 CRANKCASE KIT.....27
 CRANKSHAFT ASY.....27
 CUSHION.....23
 CUTTER, LINE.....29
 CYLINDER.....27

D

DIAPHRAGM, METERING.....9, 11, 13
 DIAPHRAGM, PUMP.....9, 11, 13
 DIAPHRAGM/GASKET KIT.....9, 11, 13
 DOWEL PIN.....23, 27
 DRIVESHAFT - FLEXIBLE.....33
 DRUM.....19
 DRUM, CLUTCH.....23
 DRUM, STARTER.....17

E

E-RING.....9, 11, 13, 19

F

FAN COVER ASY.....23
 FILTER, AIR.....7
 FILTER, FUEL.....21
 FLANGE, SHIELD.....29
 FLYWHEEL.....25
 FRONT HANDLE ASY.....37
 FUEL TANK ASY.....21

G

GASKET KIT.....43
 GASKET, CAP.....21
 GASKET, CRANKCASE.....27
 GASKET, CYLINDER.....27
 GASKET, EXHAUST.....15
 GASKET, INTAKE.....7
 GASKET, METERING.....9, 11, 13
 GASKET, PUMP.....9, 11, 13
 GEAR CASE ASY.....31
 GEAR SET.....31
 GRIP, HANDLE.....35, 37
 GRIP, STARTER.....17, 19
 GROMMET.....21
 GUARD, TOP.....5
 GUIDE, EXHAUST.....15
 GUIDE, ROPE.....17, 19

H

HANDLE, FRONT.....37
 HEX BAR.....47
 HEX KEY.....47
 HOLDER.....23
 HOLDER KIT.....23
 HOUSING, GEAR.....31

I

IGNITION SWITCH KIT.....35
 INSULATOR, INTAKE.....7

J

JET.....9

K

KNOB, SWITCH.....35

L

LABEL - CAUTION -- HOT.....39, 41
 LABEL - CAUTION -- SPANISH.....33
 LABEL - CHOKE.....39, 41
 LABEL - ECHO.....39, 41
 LABEL - HANDLE LOCATION.....33
 LABEL - MODEL -- SRM-210.....39, 41
 LABEL - MODEL -- SRM-210SB.....39, 41
 LABEL - MODEL -- SRM-210U.....39, 41
 LABEL - MODEL -- SRM-211.....39, 41
 LABEL - MODEL -- SRM-211SB.....39, 41
 LABEL - MODEL -- SRM-211U.....39, 41
 LABEL - PIPE LOCATION.....33
 LABEL - SPARK PLUG -- BPM-8Y.....39, 41
 LABEL - SPARK PLUG -- BPMR-8Y.....39, 41
 LABEL, CAUTION - CANADA.....33
 LABEL, CAUTION - US.....33

LEAD, IGNITION.....25
 LEVER, METERING.....9, 11, 13
 LEVER, THROTTLE TRIGGER LOCKOUT.....35
 LID, AIR CLEANER - BLACK.....7
 LID, AIR CLEANER - GRAY.....7
 LINER, FLEXIBLE.....33
 LOCKING BAR.....47
 LOCKOUT, THROTTLE TRIGGER.....35

M

MAIN PIPE ASY.....33
 MUFFLER.....15

N

NEEDLE - HIGH SPEED.....11, 13
 NUT 5.....7, 29, 35, 37
 NUT, CABLE.....9, 11

O

OIL SEAL.....27, 31
 OPEN END WRENCH.....47
 O-RING.....9, 11, 13

P

PAWL, STARTER.....17, 19
 PIN, METERING LEVER.....9, 11, 13
 PIN, PISTON.....27
 PIPE, FUEL - 3X5X180mm.....21
 PIPE, RETURN - 3X6X80mm.....21
 PIPE, VENT - 3X5X70mm.....21
 PISTON KIT.....27
 PLASTIC SHIELD KIT.....29
 PLATE, ADAPTER (UPPER).....31
 PLATE, CAM.....19
 PLATE, PREVENT.....7
 PLUG.....11, 13
 PLUG KIT.....9
 PURGE BASE ASY.....9, 11, 13

R

REPAIR KIT.....9, 11, 13
 RETAINER, PURGE BULB.....9, 11, 13
 RING, PISTON.....27
 ROLLER, GUIDE.....9, 11, 13
 ROPE, STARTER - 3X1000mm.....17
 ROPE, STARTER - 3X700mm.....19
 ROTOR COVER ASY.....9, 11, 13

S

SCREEN, MUFFLER.....15
 SCREW.....17, 19
 SCREW 3X10.....35
 SCREW 4X10.....15
 SCREW 4X16.....5, 17, 19, 23
 SCREW 4X20.....25
 SCREW 4X8.....5
 SCREW 5.....37
 SCREW 5X10.....31
 SCREW 5X14.....35
 SCREW 5X16.....5, 21, 29
 SCREW 5X20.....7, 29
 SCREW 5X22.....27
 SCREW 5X25.....35



Part Description Index (continued)

SCREW 5X28.....27, 35
 SCREW 5X35.....35, 37
 SCREW 5X55.....15
 SCREW 5X65.....7
 SCREW, CABLE ADJUST.....9, 11, 13
 SCREW, DIAPHRAGM COVER.....9, 11, 13
 SCREW, METERING LEVER PIN.....9, 11, 13
 SCREW, PURGE BASE ASY.....9, 11, 13
 SCREW, PURGE BULB RETAINER.....9, 11, 13
 SCREW, ROTOR COVER.....13
 SCREW, ROTOR COVER ASY.....9, 11, 13
 SCREW, THROTTLE ADJUST.....9, 11, 13
 SCREWDRIVER.....47
 SHAFT, P.T.O.....31
 SHIELD - PLASTIC.....29
 SHIELD, EXHAUST.....15
 SHIELD, INTAKE.....7
 SHORT BLOCK.....27
 SOCKET WRENCH.....47
 SOCKET WRENCH/SCREWDRIVER.....47
 SPACER.....21, 31
 SPACER, PISTON PIN.....27
 SPARK PLUG -- BPM-8Y.....25
 SPARK PLUG -- BPMR-8Y.....25
 SPRING.....11
 SPRING, DAMPER.....19
 SPRING, METERING LEVER.....9, 13
 SPRING, PAWL RETURN.....19
 SPRING, RETURN.....17
 SPRING, REWIND.....17, 19
 SPRING, THROTTLE LOCKOUT.....35
 SPRING, THROTTLE RETURN.....35
 STARTER ASY.....17, 19
 STARTER PAWL ASY.....17, 19
 STOPPER.....33
 STRAINER.....9, 11, 13
 SWIVEL.....9, 11, 13

T

TERMINAL, SPARK PLUG CAP.....25
 TORX KEY.....47
 TRIGGER, THROTTLE.....35
 TUBE, INSULATOR.....25
 TUBE, VINYL.....35
 TUNE-UP KIT.....45

V

VALVE, INLET NEEDLE.....9, 11, 13
 VENT ASY.....21

W

WASHER.....15
 WASHER 5.....21, 31, 37
 WASHER, SHIM.....31
 WING BOLT.....7

NOTES



ECHO, INCORPORATED

400 Oakwood Road
Lake Zurich, IL 60047 USA

WWW.ECHO-USA.COM
