



---

**PARTS CATALOG**  
**WP-1000 Water Pump**

**21.2cc**

***ECHO, INCORPORATED***

400 Oakwood Road Lake Zurich, Illinois 60047 USA

[WWW.ECHO-USA.COM](http://WWW.ECHO-USA.COM)



# Table of Contents

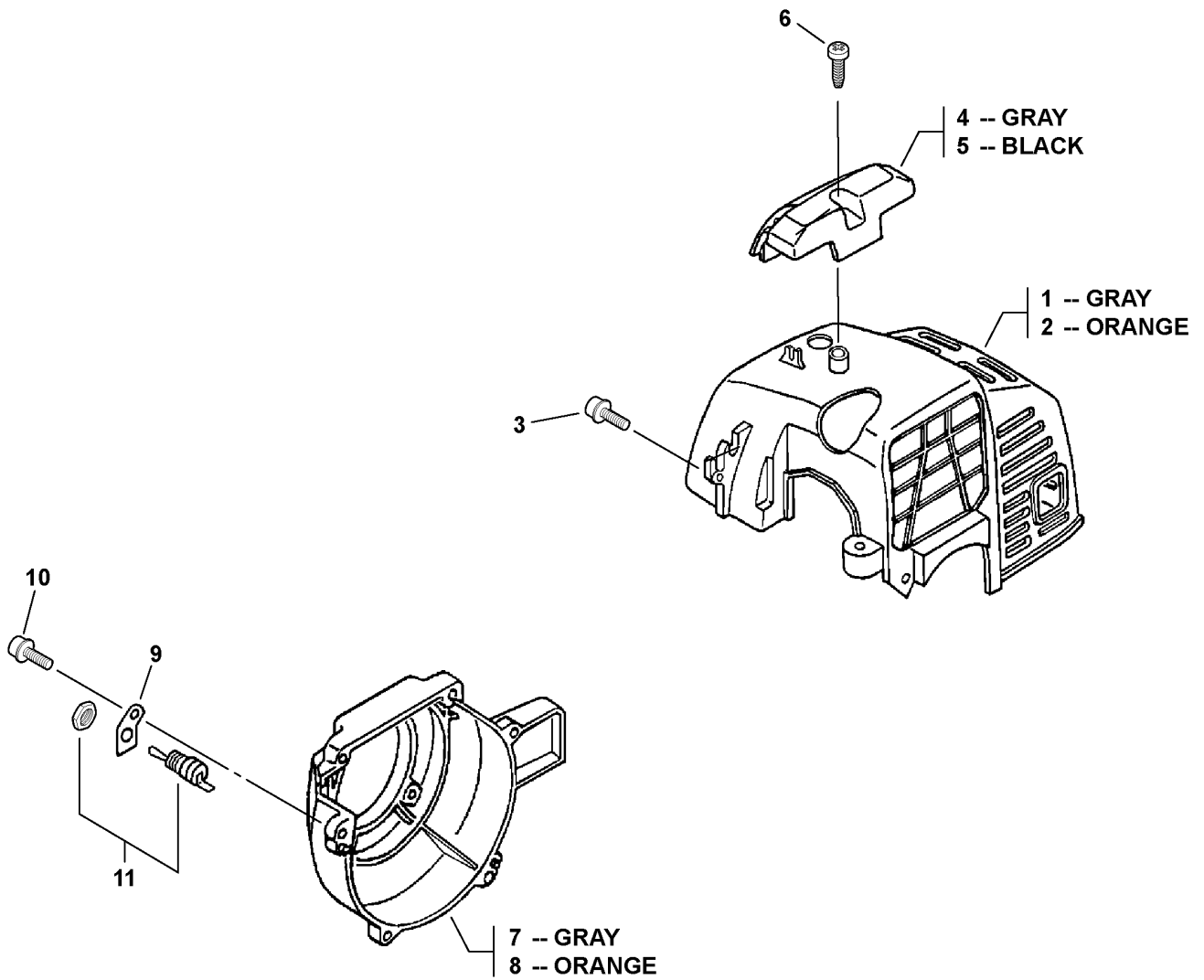
---

Click Any Diagram Description Below To View That Diagram.

## **WP-1000**

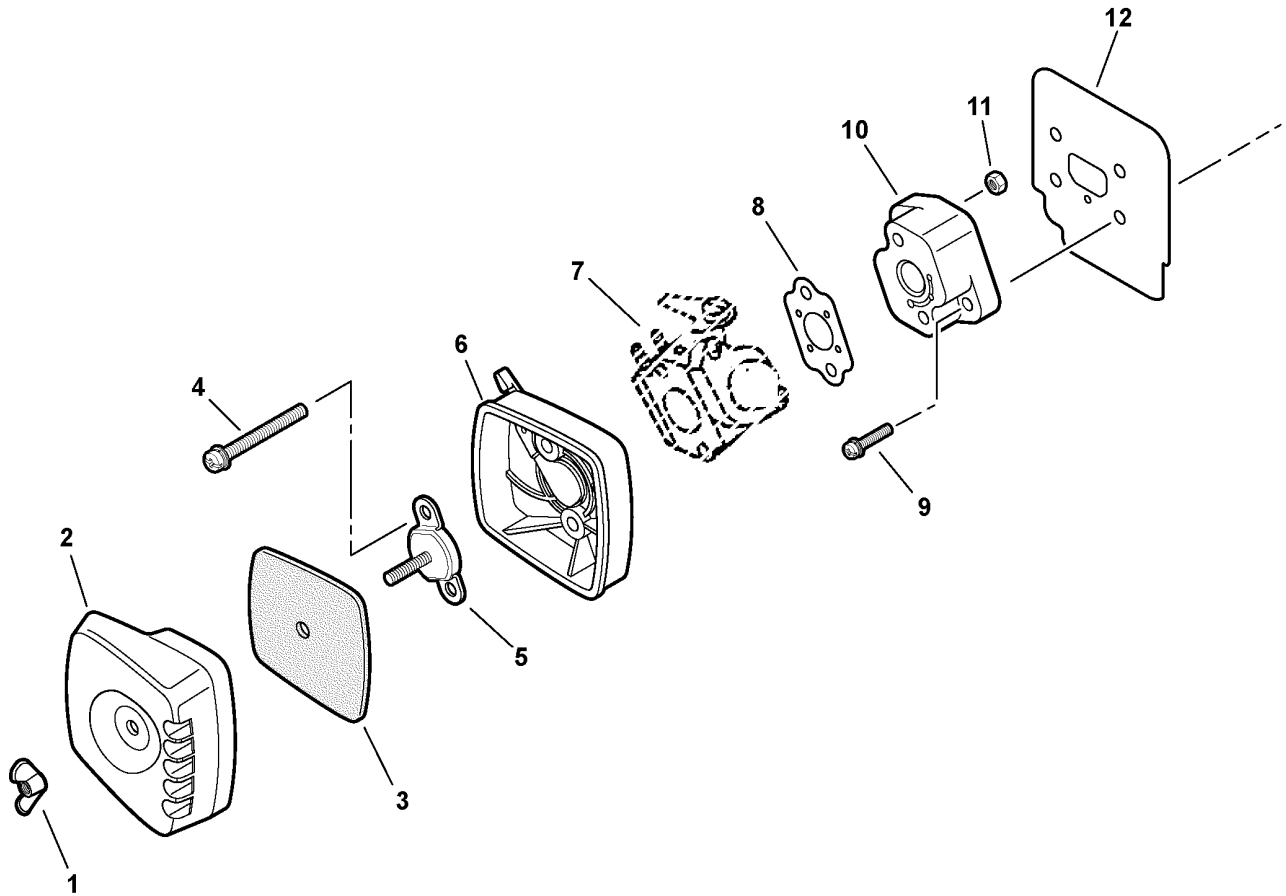
Covers.....	4
Intake S/N: 001001 - 006207.....	6
Intake S/N: 006208 - 009465.....	8
Intake S/N: 009466 - 999999.....	10
Carburetor -- C1U-K28.....	12
Exhaust.....	14
Starter.....	16
Fuel System.....	18
Ignition.....	20
Engine, Short Block -- SB1026 S/N: 001001 - 001405.....	22
Engine, Short Block -- SB1026 S/N: 010406 - 999999.....	24
Pump.....	26
Labels.....	28
Suction Hose.....	30
Gasket Kit -- 88900012620.....	32
Tools.....	34
Part Number Index.....	36
Part Description Index.....	37

***This Page Intentionally Left Blank***



001 0002 000

ITEM	PART NUMBER	QTY	DESCRIPTION	REMARKS
1	10151448731	1	COVER, ENGINE - GRAY	
2	10151444531	1	COVER, ENGINE - ORANGE	
3	90023804012	2	SCREW 4X12	
4	15991248630	1	GUARD, TOP - GRAY	
5	15991244530	1	GUARD, TOP - BLACK	
6	90025305016	1	SCREW 5X16 - TAPPING	
7	10151149230	1	COVER, FAN - GRAY	
8	10151144730	1	COVER, FAN - ORANGE	
9	16381044330	1	BRACKET, SWITCH	
10	90016304016	4	SCREW 4X16	
11	16340003460	1	SWITCH, IGNITION	

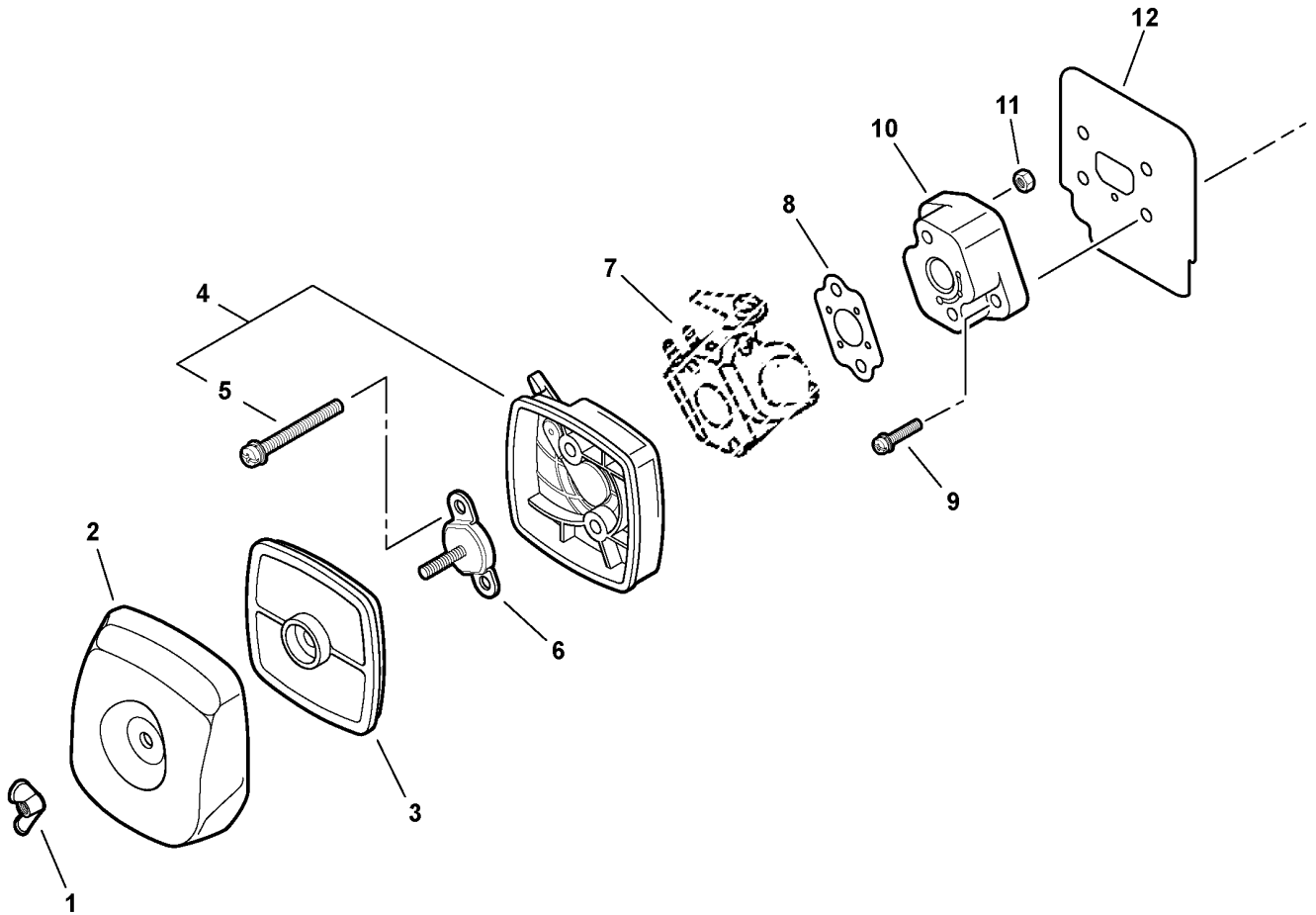


005 0002 00C

ITEM	PART NUMBER	QTY	DESCRIPTION	REMARKS
1	90052800005	1	WING NUT	
2	13031305060	1	LID, AIR CLEANER - BLACK	
4	90024205065	2	SCREW 5X65	
3	13031004560	1	FILTER, AIR	
5	12901112620	1	PLATE, PREVENT	
6	13030705361	1	AIR CLEANER CASE KIT - BLACK	
7	-----	1	CARBURETOR	See Carburetor Diagram For Additional Information
8	13001642031	1	GASKET, INTAKE <sup>1</sup>	
9	90023805020	2	SCREW 5X20	
10	13001742031	1	INSULATOR, INTAKE	
11	90050000005	2	NUT 5	
12	V103000490	1	SHIELD, INTAKE <sup>1</sup>	

**Footnotes**

**1:** Also Included In GASKET KIT



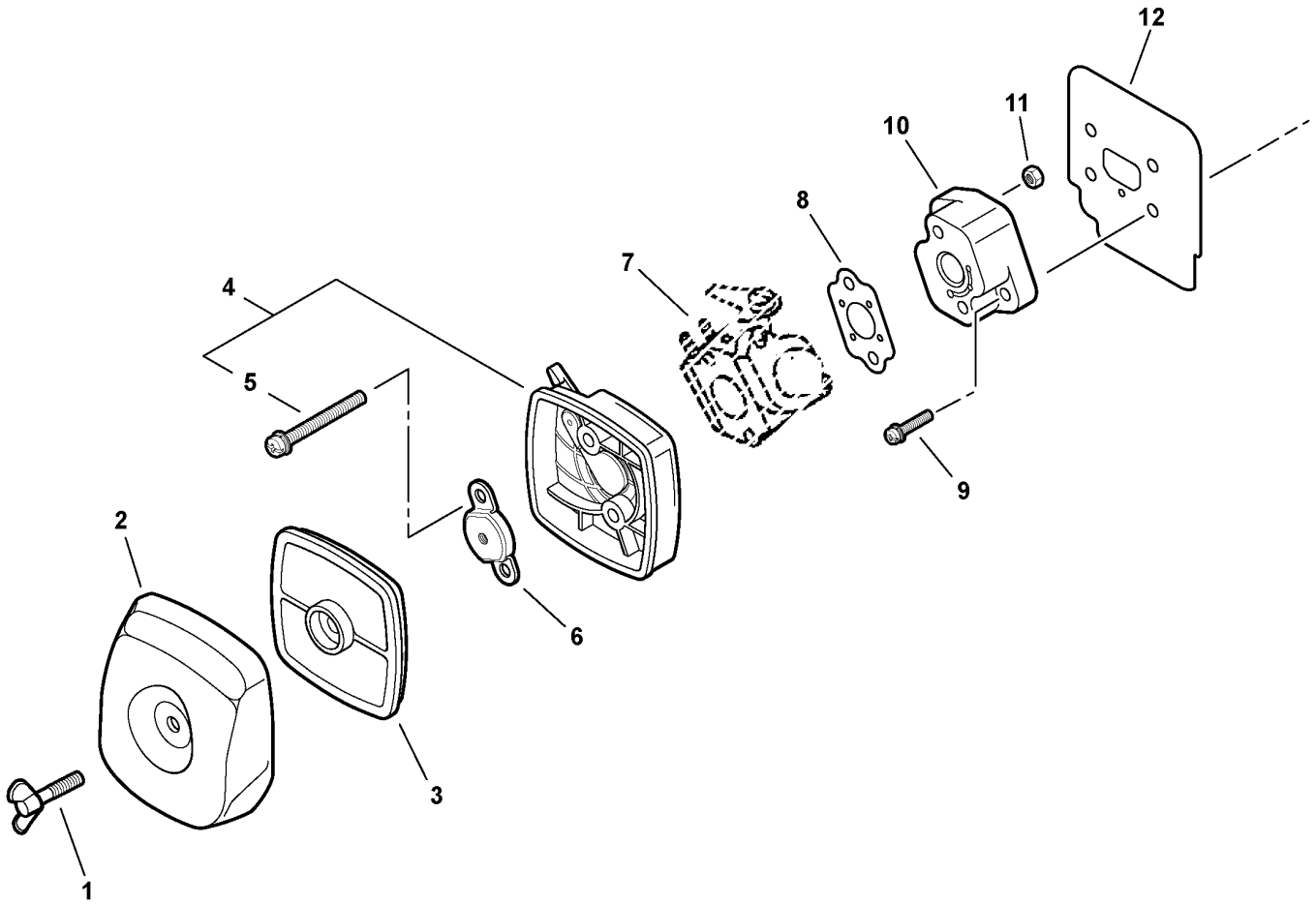
005 0002 00B



ITEM	PART NUMBER	QTY	DESCRIPTION	REMARKS
1	90052800005	1	WING NUT	
2	13030206561	1	LID, AIR CLEANER - GRAY	
3	13031054130	1	FILTER, AIR	
4	P021002921	1	AIR CLEANER CASE KIT - GRAY	INCLUDES ITEM 5
5	90024205065	2	SCREW 5X65	
6	12901112620	1	PLATE, PREVENT	
7	-----	1	CARBURETOR	See Carburetor Diagram For Additional Information
8	13001642031	1	GASKET, INTAKE <sup>1</sup>	
9	90023805020	2	SCREW 5X20	
10	13001742031	1	INSULATOR, INTAKE	
11	90050000005	2	NUT 5	
12	V103000490	1	SHIELD, INTAKE <sup>1</sup>	

**Footnotes**

**1:** Also Included In GASKET KIT

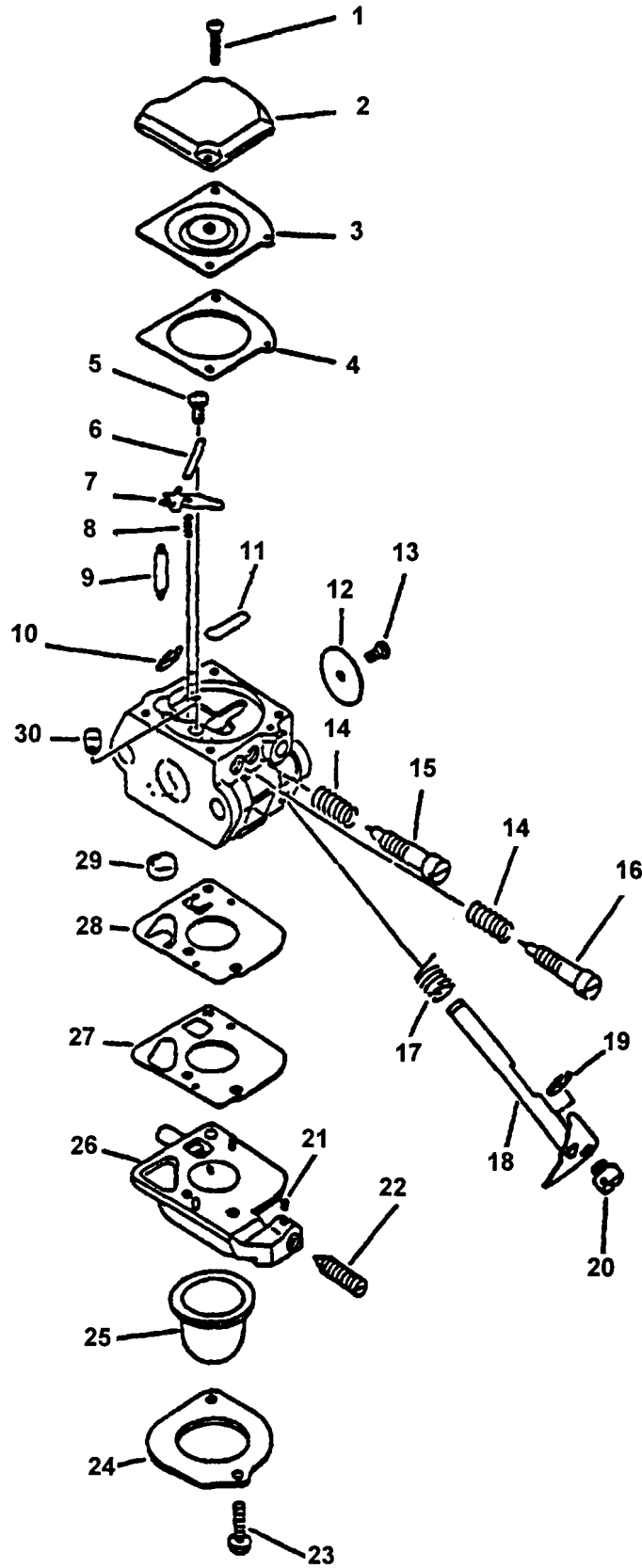


005 0002 000

ITEM	PART NUMBER	QTY	DESCRIPTION	REMARKS
1	21041752730	1	WING BOLT	
2	13031306563	1	LID, AIR CLEANER - GRAY	
2	13031305863	1	LID, AIR CLEANER - BLACK	
3	13031054130	1	FILTER, AIR	
4	P021002921	1	AIR CLEANER CASE KIT - GRAY	INCLUDES ITEM 5
4	P021010350	1	AIR CLEANER CASE KIT - BLACK	INCLUDES ITEM 5
5	90024205065	2	SCREW 5X65	
6	12901152730	1	PLATE, PREVENT	
7	-----	1	CARBURETOR	See Carburetor Diagram For Additional Information
8	13001642031	1	GASKET, INTAKE <sup>1</sup>	
9	90023805020	2	SCREW 5X20	
10	13001742031	1	INSULATOR, INTAKE	
11	90050000005	2	NUT 5	
12	V103000490	1	SHIELD, INTAKE <sup>1</sup>	

**Footnotes**

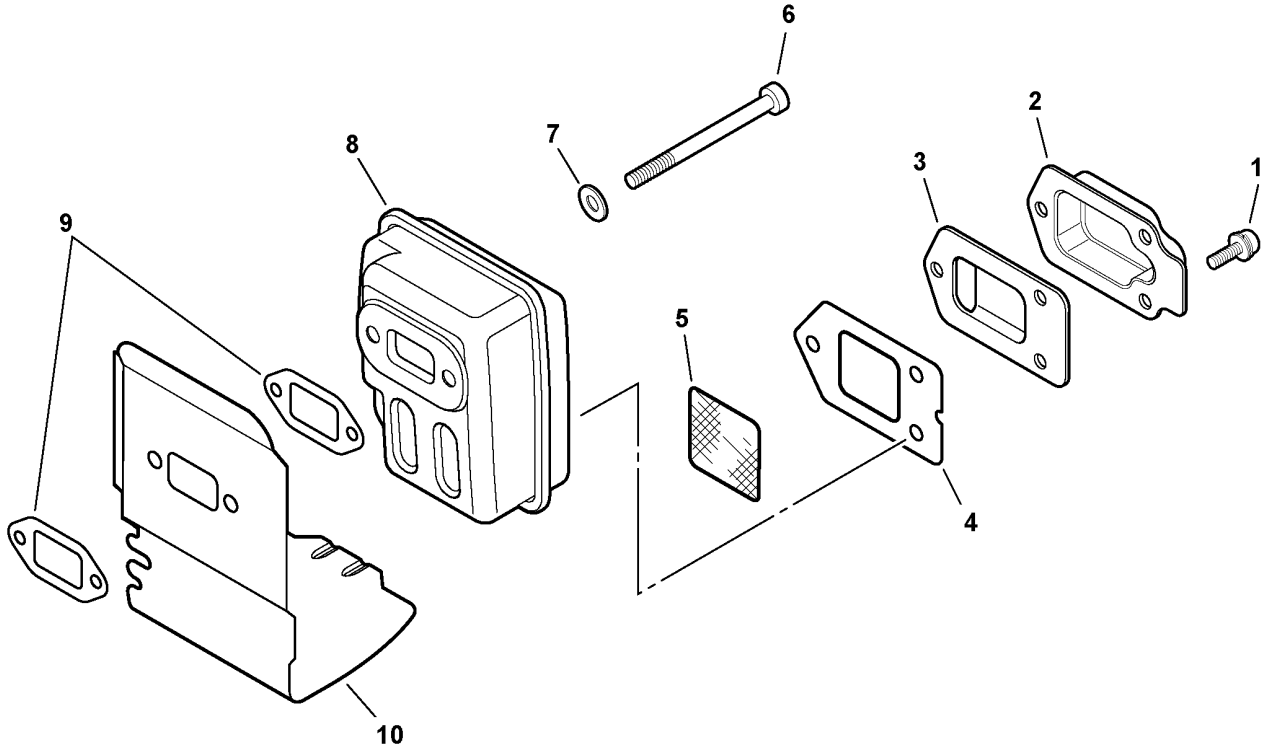
**1:** Also Included In GASKET KIT



ITEM	PART NUMBER	QTY	DESCRIPTION	REMARKS
	12520012621	1	CARBURETOR -- C1U-K28	INCLUDES ITEMS 1-30
<b>1</b>	12534413931	2	SCREW	
<b>2</b>	12534215130	1	COVER, METERING DIAPHRAGM	
<b>3</b>	-----	1	DIAPHRAGM, METERING <sup>1</sup>	
<b>4</b>	-----	1	GASKET, METERING DIAPHRAGM <sup>1</sup>	
<b>5</b>	12533942030	1	SCREW	
<b>6</b>	-----	1	PIN, INLET LEVER <sup>2</sup>	
<b>7</b>	-----	1	LEVER, INLET METERING <sup>2</sup>	
<b>8</b>	-----	1	INLET, LEVER <sup>2</sup>	
<b>9</b>	-----	1	VALVE, INLET NEEDLE <sup>2</sup>	
<b>10</b>	12532715130	1	CLIP	
<b>11</b>	-----	1	PLUG, WELCH <sup>2</sup>	
<b>12</b>	12531612620	1	VALVE, THROTTLE	
<b>13</b>	12531451230	1	SCREW	
<b>14</b>	12531942030	2	SPRING, NEEDLES	
<b>15</b>	12531842030	1	NEEDLE - LOW SPEED	
<b>16</b>	12532007260	1	NEEDLE - LOW SPEED	
<b>17</b>	12531342030	1	SPRING, THROTTLE RETURN	
<b>18</b>	12531711820	1	SHAFT, THROTTLE	
<b>19</b>	12532713930	1	CLIP	
<b>20</b>	12537242030	1	SWIVEL	
<b>21</b>	12537813930	1	PIECE, FRICTION	
<b>22</b>	12533413930	1	SCREW, IDLE ADJUST	
<b>23</b>	12531011610	2	SCREW	
<b>24</b>	12536311610	1	RING	
<b>25</b>	12538108660	1	BULB, PURGE	
<b>26</b>	12532411610	1	COVER, PUMP	
<b>27</b>	-----	1	GASKET, FUEL PUMP <sup>1</sup>	
<b>28</b>	-----	1	DIAPHRAGM, FUEL PUMP <sup>1</sup>	
<b>29</b>	-----	1	STRAINER <sup>2</sup>	
<b>30</b>	12537642030	1	NOZZLE, CHECK VALVE	
	12530012620	1	REBUILD KIT	
	12530342030	1	GASKET/DIAPHRAGM KIT	

**Footnotes**

- 1:** Also Included In REBUILD KIT P/N 12530012620 & GASKET/DIAPHRAGM KIT P/N 12530342030  
**2:** Also Included In REBUILD KIT P/N 12530012620



006 0002 00B

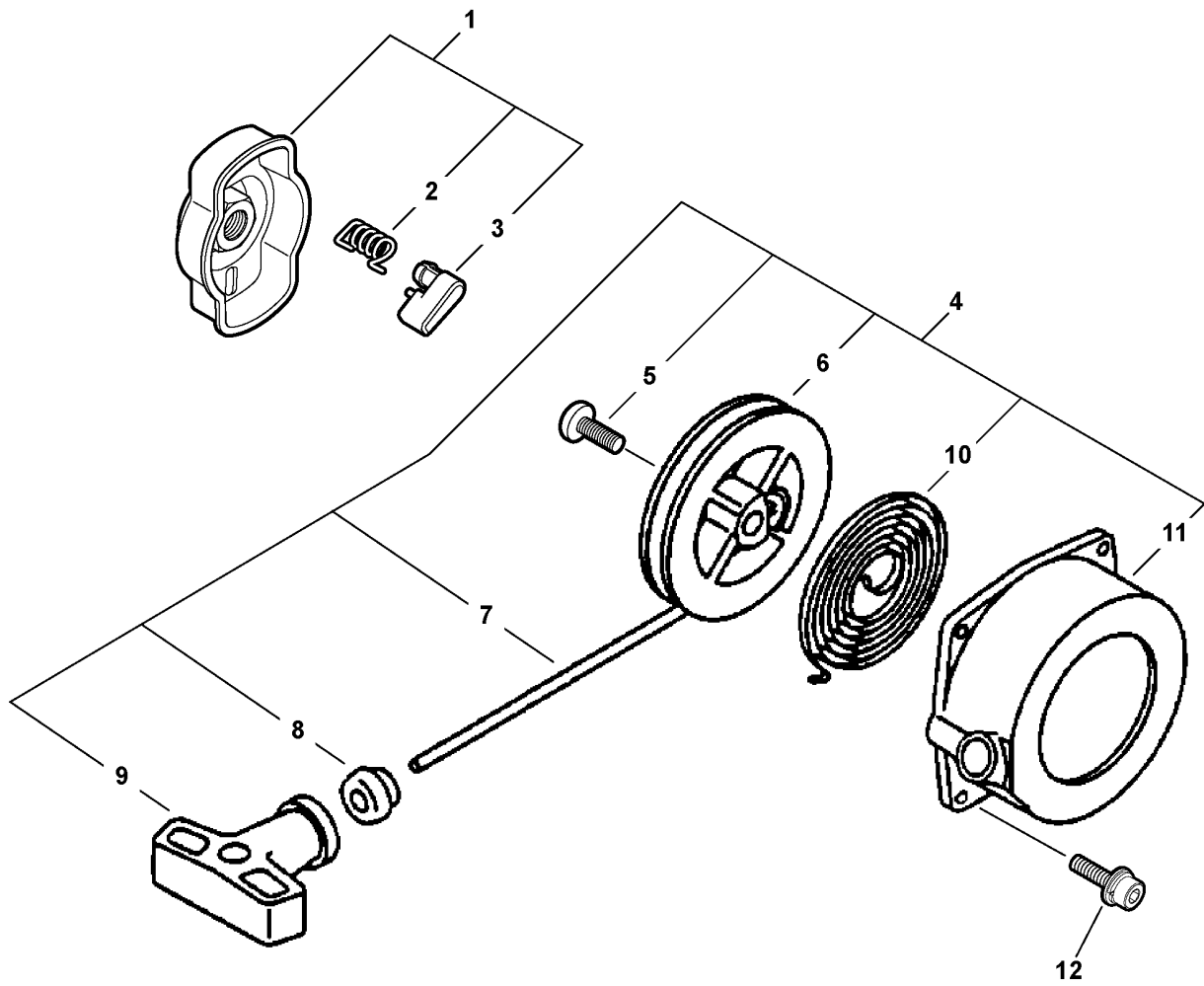
**WP-1000 Water Pump**

**Exhaust**

ITEM	PART NUMBER	QTY	DESCRIPTION	REMARKS
1	90023804010	3	SCREW 4X10	
2	14580942030	1	GUIDE, EXHAUST - OUTER	
3	14587642030	1	GUIDE, EXHAUST - INNER	
4	14586642031	1	GASKET, EXHAUST <sup>1</sup>	
5	14586240630	1	SCREEN	
6	90010505055	2	SCREW 5X55	
7	90060000005	2	WASHER 5	
8	14580642030	1	MUFFLER	
9	V104000160	2	GASKET, EXHAUST <sup>1</sup>	
10	A320000251	1	SHIELD, EXHAUST	

**Footnotes**

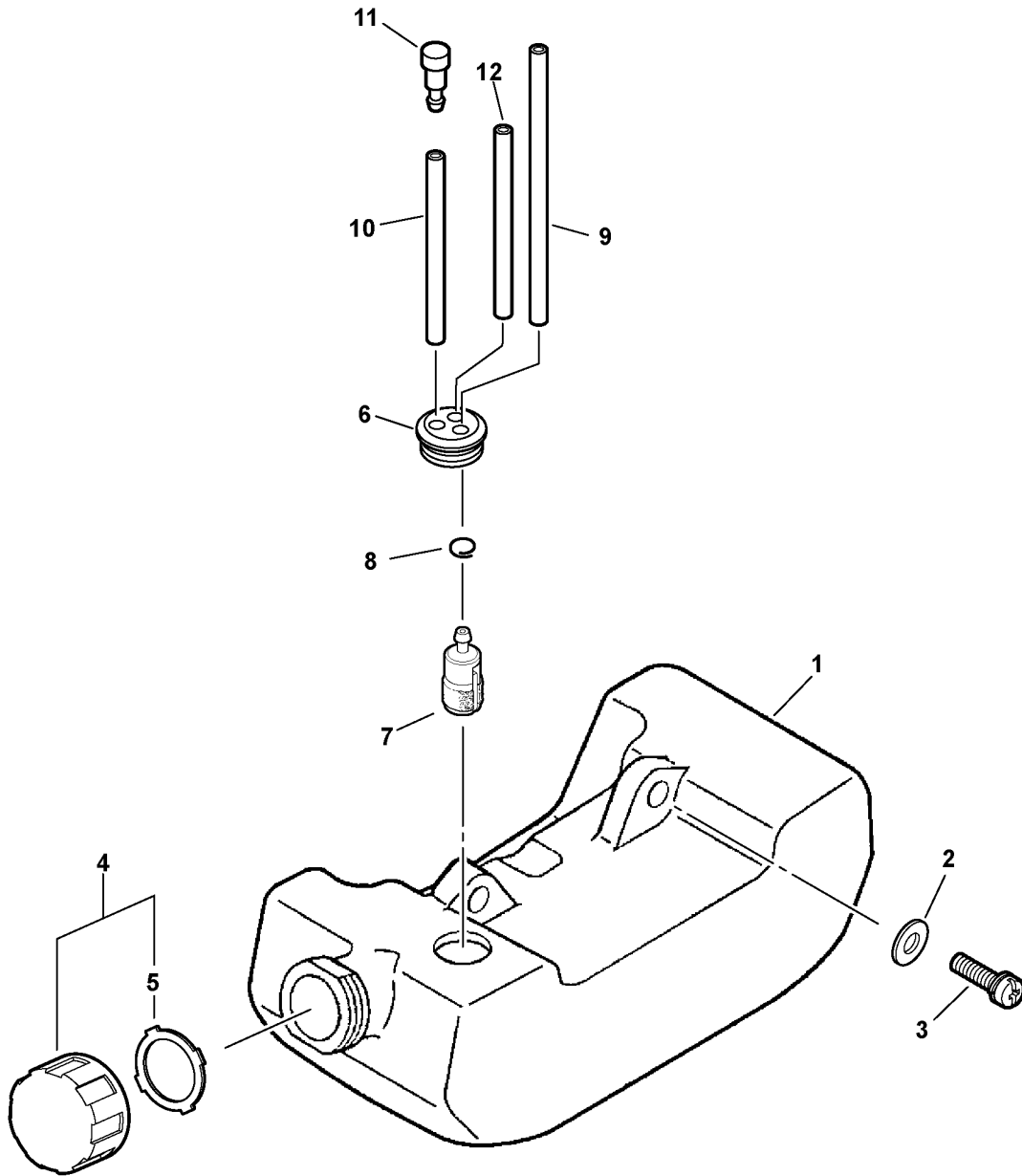
1: ALSO CONTAINED IN GASKET KIT



004 0036 000

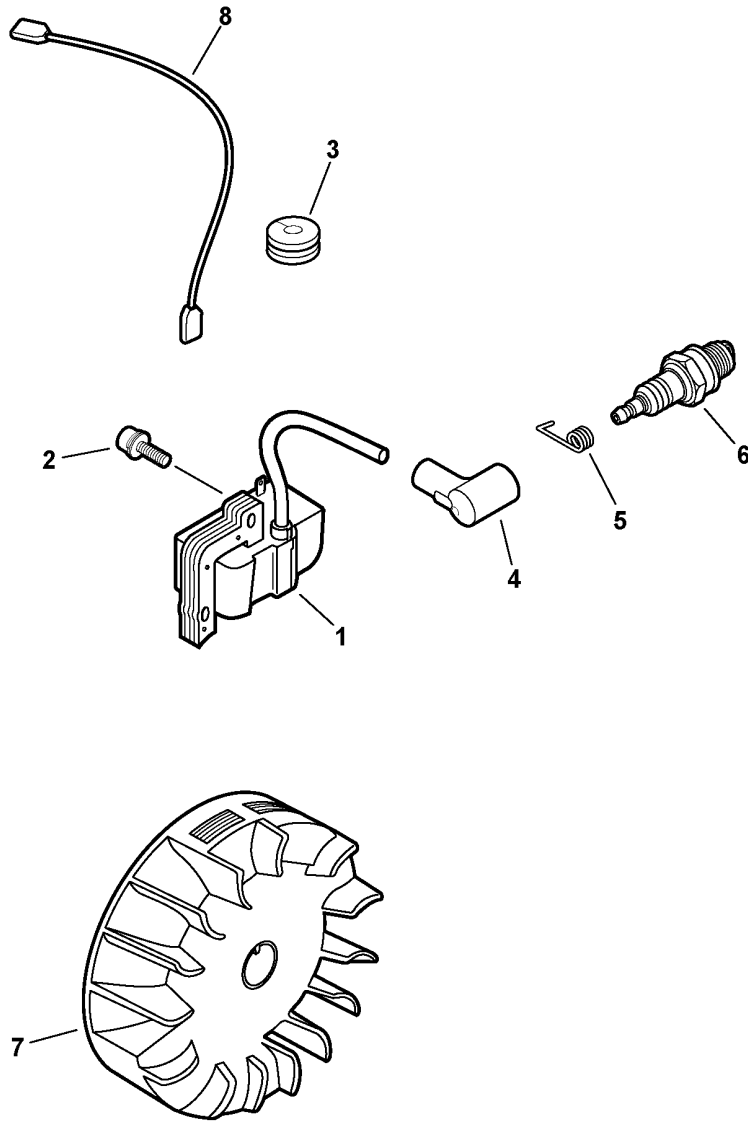


ITEM	PART NUMBER	QTY	DESCRIPTION	REMARKS
1	17720244331	1	STARTER PAWL ASY	INCLUDES ITEMS 2-3
2	17723412220	1	SPRING, RETURN	
3	17721844330	1	PAWL, STARTER	
4	17720042033	1	STARTER ASY	INCLUDES ITEMS 5-11
5	17723644330	1	SCREW	
6	17721544430	1	DRUM, STARTER	
7	17722610120	1	ROPE, STARTER - 3X1000mm	REPOWER BULK OPTION: 99944440000
8	17722742030	1	GUIDE, ROPE	
9	17722806530	1	GRIP, STARTER	
10	17722042030	1	SPRING, REWIND	
11	17723242032	1	CASE, STARTER	
12	90016304016	4	SCREW 4X16	



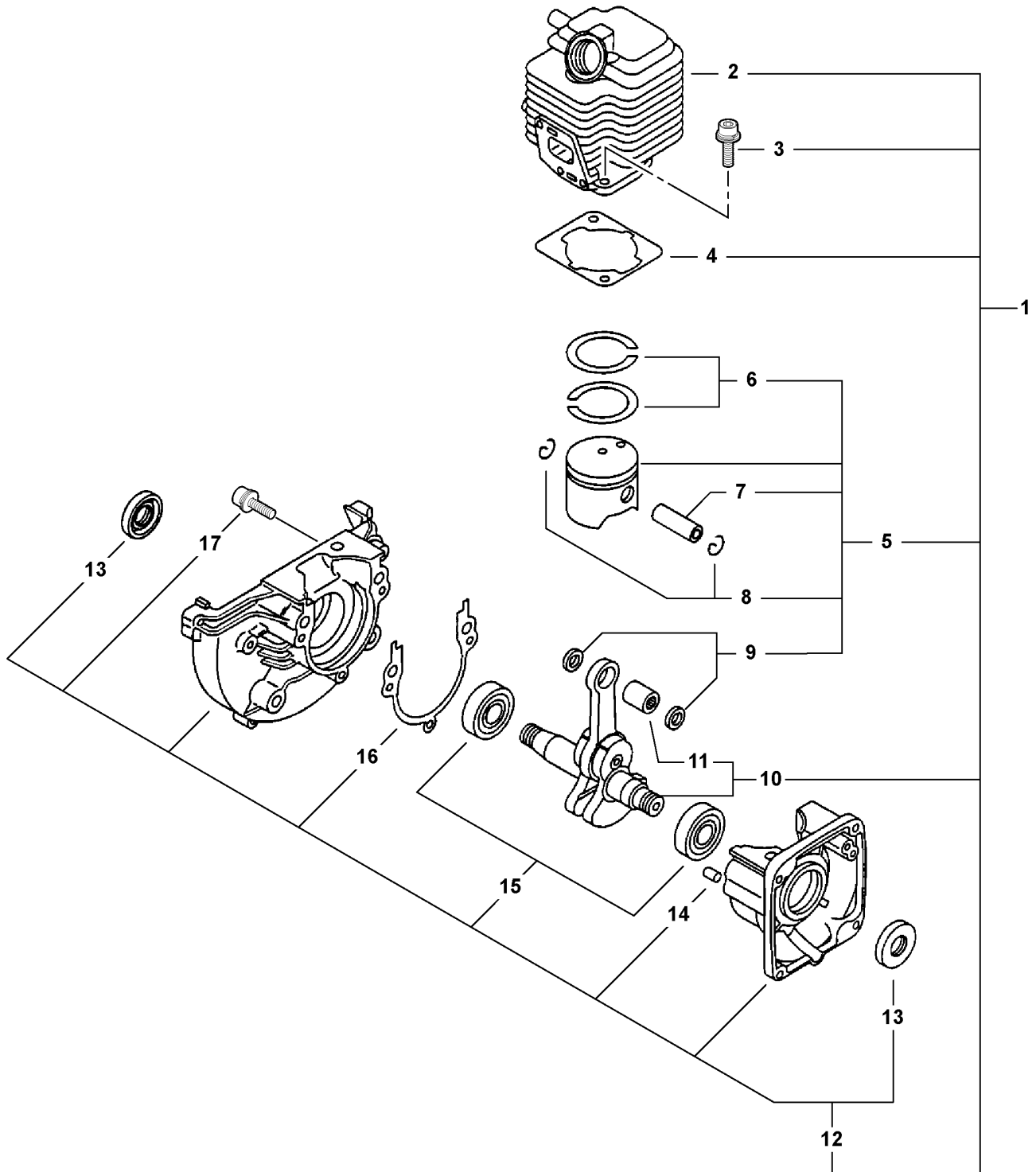
002 0003 00B

ITEM	PART NUMBER	QTY	DESCRIPTION	REMARKS
1	13100544330	1	TANK, FUEL	
2	90060300005	2	WASHER 5	
3	90023805016	2	SCREW 5X16	
4	13100455830	1	CAP ASY	INCLUDES ITEM 5
5	13101655830	1	GASKET, CAP	
6	V137000030	1	GROMMET	
7	13120507320	1	FILTER, FUEL	
8	13201309820	1	CLIP	
9	V471001190	1	PIPE, FUEL - 3X5X180mm	REPOWER BULK OPTION: 90014
10	V471001200	1	PIPE, VENT - 3X5X70mm	REPOWER BULK OPTION: 90014
11	A356000030	1	VENT ASY	
12	13201056330	1	PIPE, RETURN - 3X6X90mm	REPOWER BULK OPTION: 90017



007 0002 00B

ITEM	PART NUMBER	QTY	DESCRIPTION	REMARKS
1	15660144732	1	COIL, IGNITION	
2	90023804022	2	SCREW 4X22	
3	15011244330	1	GROMMET	
4	15901201620	1	CAP, SPARK PLUG	
5	15901103432	1	TERMINAL, SPARK PLUG CAP	
6	15901010630	1	SPARK PLUG -- BPM-7A	
7	15680144731	1	FLYWHEEL	
8	16202152830	1	LEAD	



SB1026 0000 000

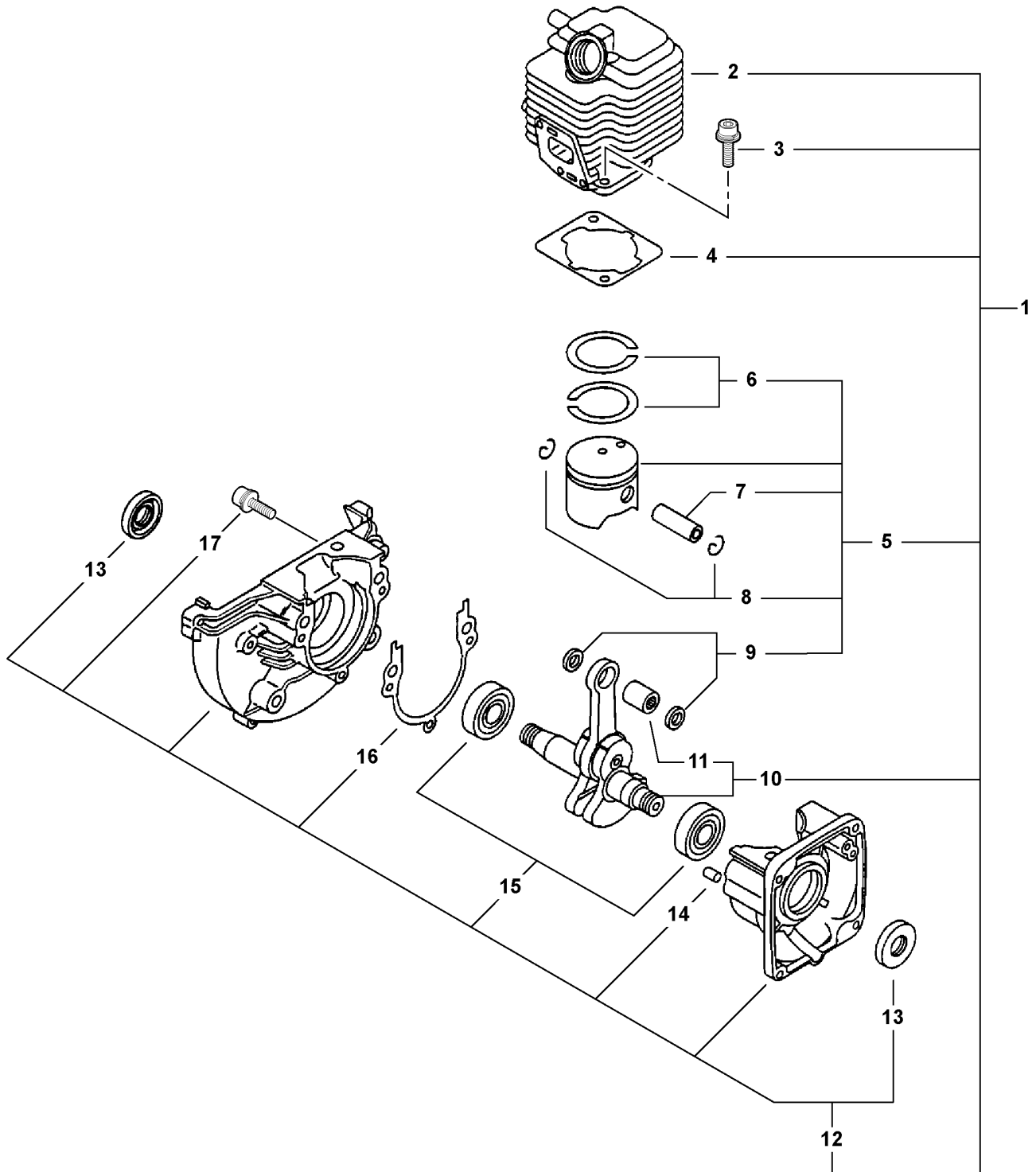
## WP-1000 Water Pump

Engine, Short Block -- SB1026 S/N: 001001 - 001405

ITEM	PART NUMBER	QTY	DESCRIPTION	REMARKS
1	SB1026	1	SHORT BLOCK	INCLUDES ITEMS 2-17
2	10101148730	1	CYLINDER	
3	90016205022	2	SCREW 5X22	
4	10101044332	1	GASKET, CYLINDER <sup>1</sup>	
5	10000044331	1	PISTON KIT	INCLUDES ITEMS 6-9
6	A101000000	2	RING, PISTON	
7	10001311520	1	PIN, PISTON	
8	10001504630	2	CIRCLIP, PISTON PIN	
9	10001411520	2	SPACER, PISTON PIN	
10	A011000150	1	CRANKSHAFT ASY	INCLUDES ITEM 11
11	V553000060	1	BEARING, NEEDLE	
12	10020452132	1	CRANKCASE KIT	INCLUDES ITEMS 13-17
13	10021242031	2	OIL SEAL	
14	V622000020	2	DOWEL PIN - 4X7.8mm	
15	9403536201	2	BEARING, BALL - 6201	
16	10024242030	1	GASKET, CRANKCASE <sup>1</sup>	
17	90016205028	3	SCREW 5X28	

## Footnotes

1: Also Included In GASKET KIT



SB1026 0000 000



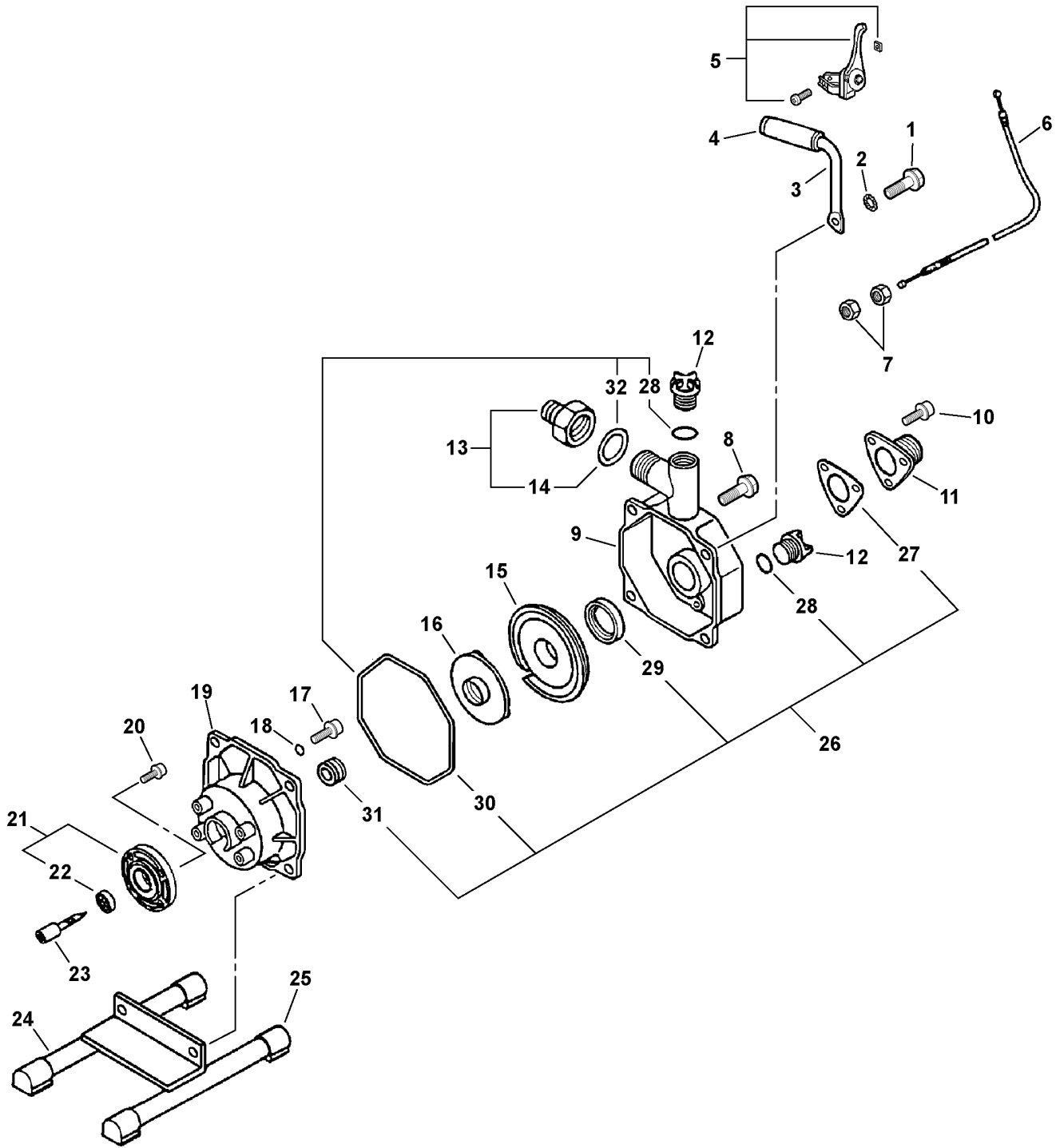
## WP-1000 Water Pump

Engine, Short Block -- SB1026 S/N: 010406 - 999999

ITEM	PART NUMBER	QTY	DESCRIPTION	REMARKS
1	SB1026	1	SHORT BLOCK	INCLUDES ITEMS 2-17
2	10101106562	1	CYLINDER	
3	90016205022	2	SCREW 5X22	
4	10101044332	1	GASKET, CYLINDER <sup>1</sup>	
5	10000048732	1	PISTON KIT	INCLUDES ITEMS 6-9
6	A101000000	2	RING, PISTON	
7	10001311520	1	PIN, PISTON	
8	10001504630	2	CIRCLIP, PISTON PIN	
9	10001411520	2	SPACER, PISTON PIN	
10	A011000150	1	CRANKSHAFT ASY	INCLUDES ITEM 11
11	V553000060	1	BEARING, NEEDLE	
12	10020452132	1	CRANKCASE KIT	INCLUDES ITEMS 13-17
13	10021242031	2	OIL SEAL	
14	V622000020	2	DOWEL PIN - 4X7.8mm	
15	9403536201	2	BEARING, BALL - 6201	
16	10024242030	1	GASKET, CRANKCASE <sup>1</sup>	
17	90016205028	3	SCREW 5X28	

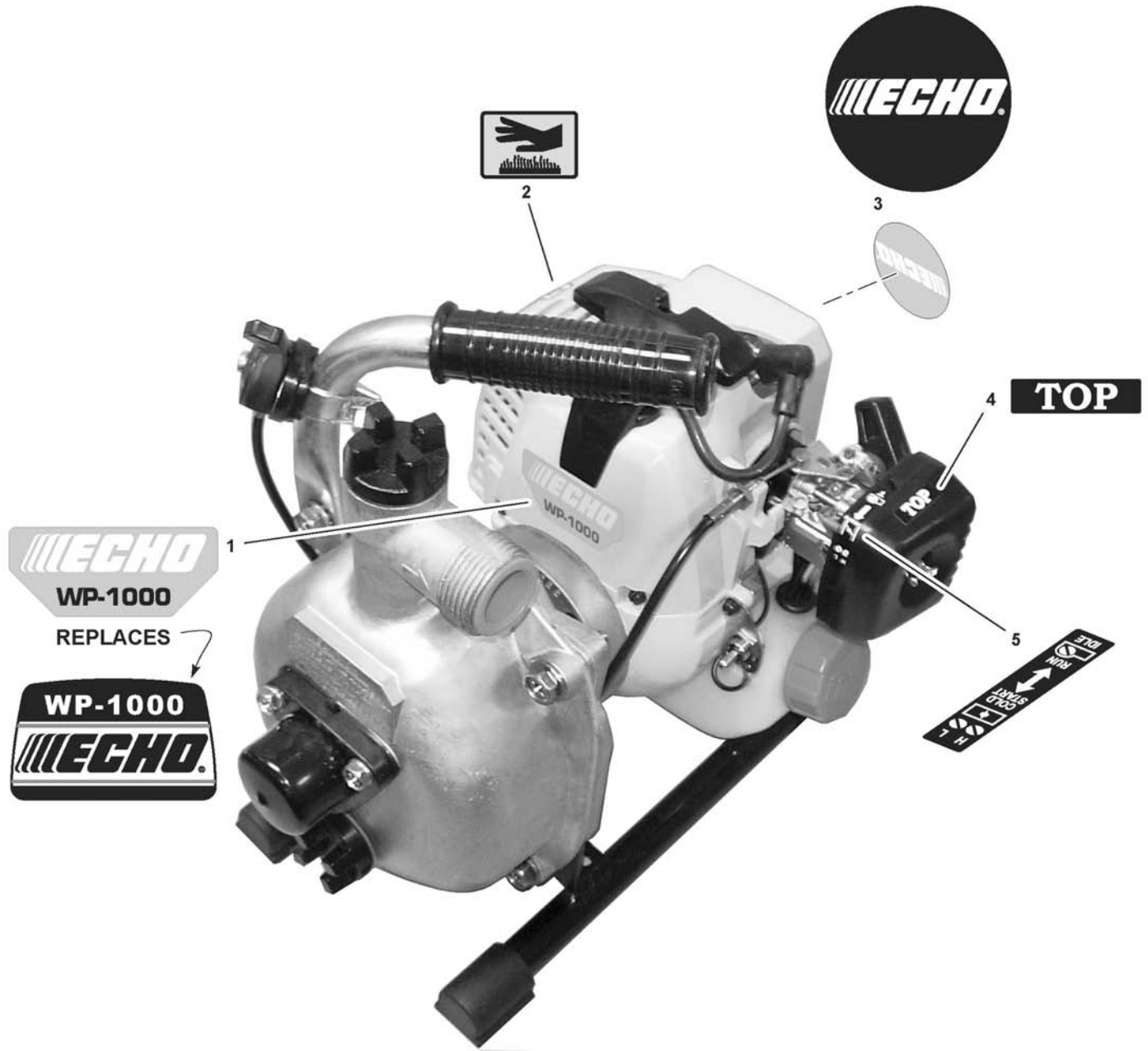
## Footnotes

1: Also Included In GASKET KIT



050 0001 000

ITEM	PART NUMBER	QTY	DESCRIPTION	REMARKS
1	90015508035	1	BOLT 8X35 - TAPPING	
2	90061100008	1	LOCKWASHER 8	
3	35101012620	1	HANDLE	
4	35101212620	1	GRIP, REAR HANDLE	
5	17800012020	1	THROTTLE CONTROL KIT	
6	17800112620	1	CABLE, THROTTLE	
7	90050200006	2	NUT 6	
8	90015508025	3	BOLT 8X25 - TAPPING	
9	40021312620	1	CASE, PUMP	
10	90011706020	3	BOLT 6X20	
11	42965112620	1	CASE, CHECK VALVE	
12	40021612620	2	PLUG	
13	38200512621	1	NIPPLE 1 X 3/4"	INCLUDES ITEM 14
14	38201412620	1	GASKET	
15	40021712620	1	CASE, IMPELLER	
16	40011012620	1	IMPELLER	
17	90010505025	4	SCREW 5X25	
18	10014312620	4	WASHER	
19	40021012620	1	CASE, PUMP	
20	90010505025	4	SCREW 5X25	
21	10020912620	1	PUMP ADAPTOR ASY	INCLUDES ITEM 22
22	90081436201	1	BEARING, BALL	
23	40011212620	1	SHAFT, PUMP	
24	40391012620	1	FRAME, PUMP	
25	10091012620	4	CUSHION	
26	88900112620	1	PUMP REBUILD KIT	INCLUDES ITEMS 27-32
27	42965012620	1	VALVE, CHECK	
28	90072000024	2	O-RING	
29	40021212620	1	GASKET, PUMP LID	
30	90072503150	1	O-RING	
31	40010012620	1	SEAL	
32	38201812620	1	GASKET	

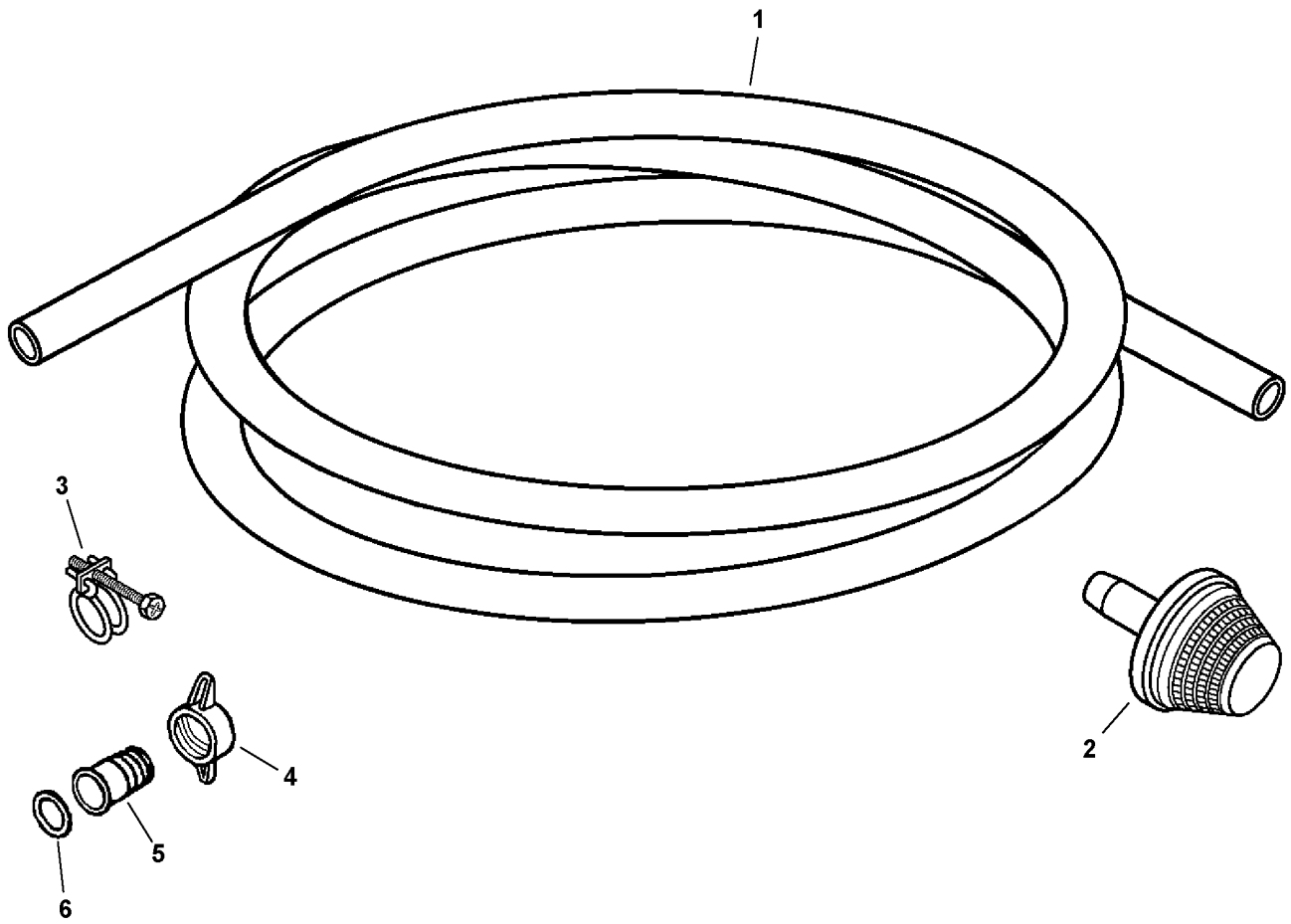


100 0093 000

**WP-1000 Water Pump**

**Labels**

ITEM	PART NUMBER	QTY	DESCRIPTION	REMARKS
1	X547001510	1	LABEL - MODEL -- WP-1000	
2	X505002310	1	LABEL - CAUTION -- HOT	
3	X502000310	1	LABEL - ECHO	
4	89018706960	1	LABEL - TOP	
5	89012106360	1	LABEL - CHOKE	



050 0003 000

**WP-1000 Water Pump**

**Suction Hose**

ITEM	PART NUMBER	QTY	DESCRIPTION	REMARKS
1	38201312620	1	HOSE, SUCTION - 1" X 10'	
2	38301312621	1	STRAINER	
3	38501412620	3	CLAMP	
4	38201612620	2	WING NUT	
5	38402612620	2	NIPPLE	
6	38201412620	2	GASKET	

<b>Use Gasket Kit</b>	<b>Contains:</b>	<b>Service Number</b>	<b>Description</b>
88900012620		10024242030	GASKET, CRANKCASE
		10101012620	GASKET, CYLINDER
		13001042032	SHIELD, INTAKE
		13001642031	GASKET, INTAKE
		14586642031	GASKET, EXHAUST
		V104000160	GASKET, EXHAUST

300 0033 000



---

<u>ITEM</u>	<u>PART NUMBER</u>	<u>QTY</u>	<u>DESCRIPTION</u>	<u>REMARKS</u>
1	88900012620	1	GASKET KIT	

---

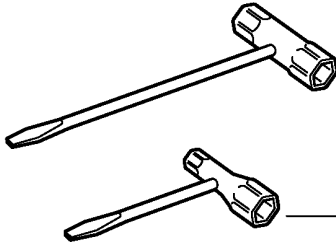
**SOCKET WRENCH W/SCREWDRIVER (Also Removes Spark Plugs)**

1 - 89541010630 -- 17X19mm

2 - X602000020 -- 17X19mm

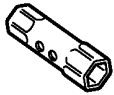
3 - 89541039131 -- 10X19mm

4 - 89541006960 -- 13X19mm



**SOCKET WRENCH**

5 - X602000031 -- 17X14.5mm



**LOCKING ROD**

6 - 89751801131 -- 5X120mm



**OPEN END WRENCH**

7 - 89511200330 -- 8X10mm

8 - 89512220960 -- 17X19mm



9 - 89501505260 -- 10mm



**HEX BAR**

10 - 89541220960 -- 10mm



**HEX KEY**

11 - 89561203430 -- 3mm



12 - 89561000130 -- 4mm



13 - 89561100330 -- 5mm



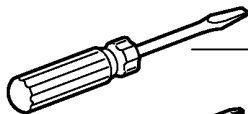
**TORX KEY**

14 - X605000060 -- T27

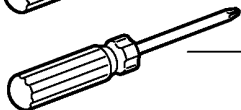


**SCREWDRIVER**

15 - 89581100130 -- 125mm SLOTTED

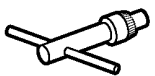


16 - 89581203930 -- 50mm PHILLIPS



**CHUCK KEY**

17 - 89757005560



**Consult Your Operators Manual For The Tools Used With Your Model**

200 0002 000

ITEM	PART NUMBER	QTY	DESCRIPTION	REMARKS
1	89541010630	1	SOCKET WRENCH/SCREWDRIVER	17X19mm
2	X602000020	1	SOCKET WRENCH/SCREWDRIVER	17X19mm
3	89541039131	1	SOCKET WRENCH/SCREWDRIVER	10X19mm
4	89541006960	1	SOCKET WRENCH/SCREWDRIVER	13X19mm
5	X602000031	1	SOCKET WRENCH	17X14.5mm
6	89751801131	1	LOCKING ROD	5X120mm
7	89511200330	1	OPEN END WRENCH	8X10mm
8	89512220960	1	OPEN END WRENCH	17X19mm
9	89501505260	1	OPEN END WRENCH	10mm
10	89541220960	1	HEX BAR	10mm
11	89561203430	1	HEX KEY	3mm
12	89561000130	1	HEX KEY	4mm
13	89561100330	1	HEX KEY	5mm
14	X605000060	1	TORX KEY	T27
15	89581100130	1	SCREWDRIVER	125mm SLOT HEAD
16	89581203930	1	SCREWDRIVER	50mm CROSS HEAD
17	89757005560	1	CHUCK KEY	



# Part Number Index

Click The Page Number After Any Part Number To View The Diagram Containing That Part.

Part Number	Page	Part Number	Page	Part Number	Page
-----	7, 9, 11, 13	16340003460	5	90060000005	15
10000044331	23	16381044330	5	90060300005	19
10000048732	25	17720042033	17	90061100008	27
10001311520	23, 25	17720244331	17	90072000024	27
10001411520	23, 25	17721544430	17	90072503150	27
10001504630	23, 25	17721844330	17	90081436201	27
10014312620	27	17722042030	17	9403536201	23, 25
10020452132	23, 25	17722610120	17	A011000150	23, 25
10020912620	27	17722742030	17	A101000000	23, 25
10021242031	23, 25	17722806530	17	A320000251	15
10024242030	23, 25	17723242032	17	A356000030	19
10091012620	27	17723412220	17	P021002921	9, 11
10101044332	23, 25	17723644330	17	P021010350	11
10101106562	25	17800012020	27	SB1026	23, 25
10101148730	23	17800112620	27	V103000490	7, 9, 11
10151144730	5	21041752730	11	V104000160	15
10151149230	5	35101012620	27	V137000030	19
10151444531	5	35101212620	27	V471001190	19
10151448731	5	38200512621	27	V471001200	19
12520012621	13	38201312620	31	V553000060	23, 25
12530012620	13	38201412620	27, 31	V622000020	23, 25
12530342030	13	38201612620	31	X502000310	29
12531011610	13	38201812620	27	X505002310	29
12531342030	13	38301312621	31	X547001510	29
12531451230	13	38402612620	31	X602000020	35
12531612620	13	38501412620	31	X602000031	35
12531711820	13	40010012620	27	X605000060	35
12531842030	13	40011012620	27		
12531942030	13	40011212620	27		
12532007260	13	40021012620	27		
12532411610	13	40021212620	27		
12532713930	13	40021312620	27		
12532715130	13	40021612620	27		
12533413930	13	40021712620	27		
12533942030	13	40391012620	27		
12534215130	13	42965012620	27		
12534413931	13	42965112620	27		
12536311610	13	88900012620	33		
12537242030	13	88900112620	27		
12537642030	13	89012106360	29		
12537813930	13	89018706960	29		
12538108660	13	89501505260	35		
12901112620	7, 9	89511200330	35		
12901152730	11	89512220960	35		
13001642031	7, 9, 11	89541006960	35		
13001742031	7, 9, 11	89541010630	35		
13030206561	9	89541039131	35		
13030705361	7	89541220960	35		
13031004560	7	89561000130	35		
13031054130	9, 11	89561100330	35		
13031305060	7	89561203430	35		
13031305863	11	89581100130	35		
13031306563	11	89581203930	35		
13100455830	19	89751801131	35		
13100544330	19	89757005560	35		
13101655830	19	90010505025	27		
13120507320	19	90010505055	15		
13201056330	19	90011706020	27		
13201309820	19	90015508025	27		
14580642030	15	90015508035	27		
14580942030	15	90016205022	23, 25		
14586240630	15	90016205028	23, 25		
14586642031	15	90016304016	5, 17		
14587642030	15	90023804010	15		
15011244330	21	90023804012	5		
15660144732	21	90023804022	21		
15680144731	21	90023805016	19		
15901010630	21	90023805020	7, 9, 11		
15901103432	21	90024205065	7, 9, 11		
15901201620	21	90025305016	5		
15991244530	5	90050000005	7, 9, 11		
15991248630	5	90050200006	27		
16202152830	21	90052800005	7, 9		



# Part Description Index

Click The Page Number After Any Part Description To View The Diagram Containing That Part.

## A

AIR CLEANER CASE KIT - BLACK.....7, 11  
AIR CLEANER CASE KIT - GRAY.....9, 11

## B

BEARING, BALL.....27  
BEARING, BALL - 6201.....23, 25  
BEARING, NEEDLE.....23, 25  
BOLT 6X20.....27  
BOLT 8X25 - TAPPING.....27  
BOLT 8X35 - TAPPING.....27  
BRACKET, SWITCH.....5  
BULB, PURGE.....13

## C

CABLE, THROTTLE.....27  
CAP ASY.....19  
CAP, SPARK PLUG.....21  
CARBURETOR.....7, 9, 11  
CARBURETOR -- C1U-K28.....13  
CASE, CHECK VALVE.....27  
CASE, IMPELLER.....27  
CASE, PUMP.....27  
CASE, STARTER.....17  
CHUCK KEY.....35  
CIRCLIP, PISTON PIN.....23, 25  
CLAMP.....31  
CLIP.....13, 19  
COIL, IGNITION.....21  
COVER, ENGINE - GRAY.....5  
COVER, ENGINE - ORANGE.....5  
COVER, FAN - GRAY.....5  
COVER, FAN - ORANGE.....5  
COVER, METERING DIAPHRAGM.....13  
COVER, PUMP.....13  
CRANKCASE KIT.....23, 25  
CRANKSHAFT ASY.....23, 25  
CUSHION.....27  
CYLINDER.....23, 25

## D

DIAPHRAGM, FUEL PUMP.....13  
DIAPHRAGM, METERING.....13  
DOWEL PIN - 4X7.8mm.....23, 25  
DRUM, STARTER.....17

## F

FILTER, AIR.....7, 9, 11  
FILTER, FUEL.....19  
FLYWHEEL.....21  
FRAME, PUMP.....27

## G

GASKET.....27, 31  
GASKET KIT.....33  
GASKET, CAP.....19  
GASKET, CRANKCASE.....23, 25  
GASKET, CYLINDER.....23, 25  
GASKET, EXHAUST.....15  
GASKET, FUEL PUMP.....13  
GASKET, INTAKE.....7, 9, 11  
GASKET, METERING DIAPHRAGM.....13

GASKET, PUMP LID.....27  
GASKET/DIAPHRAGM KIT.....13  
GRIP, REAR HANDLE.....27  
GRIP, STARTER.....17  
GROMMET.....19, 21  
GUARD, TOP - BLACK.....5  
GUARD, TOP - GRAY.....5  
GUIDE, EXHAUST - INNER.....15  
GUIDE, EXHAUST - OUTER.....15  
GUIDE, ROPE.....17

## H

HANDLE.....27  
HEX BAR.....35  
HEX KEY.....35  
HOSE, SUCTION - 1" X 10'.....31

## I

IMPELLER.....27  
INLET, LEVER.....13  
INSULATOR, INTAKE.....7, 9, 11

## L

LABEL - CAUTION -- HOT.....29  
LABEL - CHOKE.....29  
LABEL - ECHO.....29  
LABEL - MODEL -- WP-1000.....29  
LABEL - TOP.....29  
LEAD.....21  
LEVER, INLET METERING.....13  
LID, AIR CLEANER - BLACK.....7, 11  
LID, AIR CLEANER - GRAY.....9, 11  
LOCKING ROD.....35  
LOCKWASHER 8.....27

## M

MUFFLER.....15

## N

NEEDLE - LOW SPEED.....13  
NIPPLE.....31  
NIPPLE 1 X 3/4".....27  
NOZZLE, CHECK VALVE.....13  
NUT 5.....7, 9, 11  
NUT 6.....27

## O

OIL SEAL.....23, 25  
OPEN END WRENCH.....35  
O-RING.....27

## P

PAWL, STARTER.....17  
PIECE, FRICTION.....13  
PIN, INLET LEVER.....13  
PIN, PISTON.....23, 25  
PIPE, FUEL - 3X5X180mm.....19  
PIPE, RETURN - 3X6X90mm.....19  
PIPE, VENT - 3X5X70mm.....19  
PISTON KIT.....23, 25  
PLATE, PREVENT.....7, 9, 11  
PLUG.....27  
PLUG, WELCH.....13

PUMP ADAPTOR ASY.....27  
PUMP REBUILD KIT.....27

## R

REBUILD KIT.....13  
RING.....13  
RING, PISTON.....23, 25  
ROPE, STARTER - 3X1000mm.....17

## S

SCREEN.....15  
SCREW.....13, 17  
SCREW 4X10.....15  
SCREW 4X12.....5  
SCREW 4X16.....5, 17  
SCREW 4X22.....21  
SCREW 5X16.....19  
SCREW 5X16 - TAPPING.....5  
SCREW 5X20.....7, 9, 11  
SCREW 5X22.....23, 25  
SCREW 5X25.....27  
SCREW 5X28.....23, 25  
SCREW 5X55.....15  
SCREW 5X65.....7, 9, 11  
SCREW, IDLE ADJUST.....13  
SCREWDRIVER.....35  
SEAL.....27  
SHAFT, PUMP.....27  
SHAFT, THROTTLE.....13  
SHIELD, EXHAUST.....15  
SHIELD, INTAKE.....7, 9, 11  
SHORT BLOCK.....23, 25  
SOCKET WRENCH.....35  
SOCKET WRENCH/SCREWDRIVER.....35  
SPACER, PISTON PIN.....23, 25  
SPARK PLUG -- BPM-7A.....21  
SPRING, NEEDLES.....13  
SPRING, RETURN.....17  
SPRING, REWIND.....17  
SPRING, THROTTLE RETURN.....13  
STARTER ASY.....17  
STARTER PAWL ASY.....17  
STRAINER.....13, 31  
SWITCH, IGNITION.....5  
SWIVEL.....13

## T

TANK, FUEL.....19  
TERMINAL, SPARK PLUG CAP.....21  
THROTTLE CONTROL KIT.....27  
TORX KEY.....35

## V

VALVE, CHECK.....27  
VALVE, INLET NEEDLE.....13  
VALVE, THROTTLE.....13  
VENT ASY.....19

## W

WASHER.....27  
WASHER 5.....15, 19  
WING BOLT.....11  
WING NUT.....7, 9, 31



**ECHO, INCORPORATED**

400 Oakwood Road  
Lake Zurich, IL 60047 USA

[WWW.ECHO-USA.COM](http://WWW.ECHO-USA.COM)

---