



Accessories for ECHO products can be found at:
Los accesorios para los productos ECHO se pueden encontrar en:
www.echo-usa.com/products/catalogs

PARTS CATALOG
LISTA DE PIEZAS

**SC-2013
CHIPPER/SHREDDER**

OPTIONAL ACCESSORIES & ATTACHMENTS:

LEAF TAMPER	99944300009
ALL WEATHER COVER	99944300008
KIT, 3" DEBRIS BAG	99944300011
KIT, TWO WHEEL TOW	99944300010
SCREEN, FINE (3/8" DIA)	99944300004
SCREEN, MEDIUM (3/4" DIA)	99944300005
SCREEN, COARSE (1-3/8" DIA)	99944300006
KIT, NARROW SHRED KNIVES	99944300015
KIT, CHIPPER BLADE	99944300013
SCREEN, WET DEBRIS	99944300007
KIT, SPARK ARRESTER BRIGGS (208)	YH460000170



208 cc

SERIAL NUMBER
NÚMERO DE SERIE

200SCB000001 - 200SCB999999

ECHO Incorporated

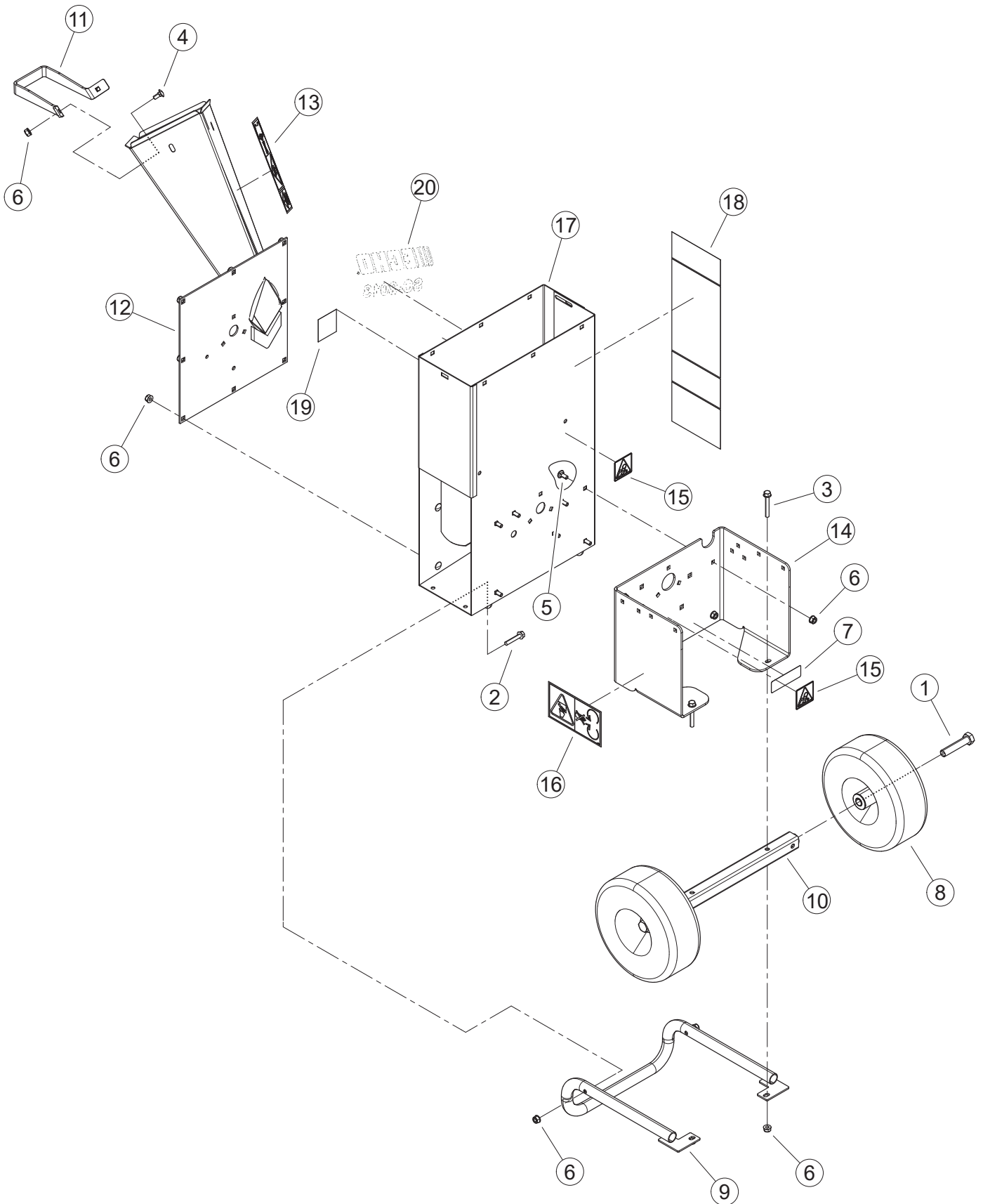
400 Oakwood Road, Lake Zurich, Illinois 60047

WWW.ECHO-USA.COM

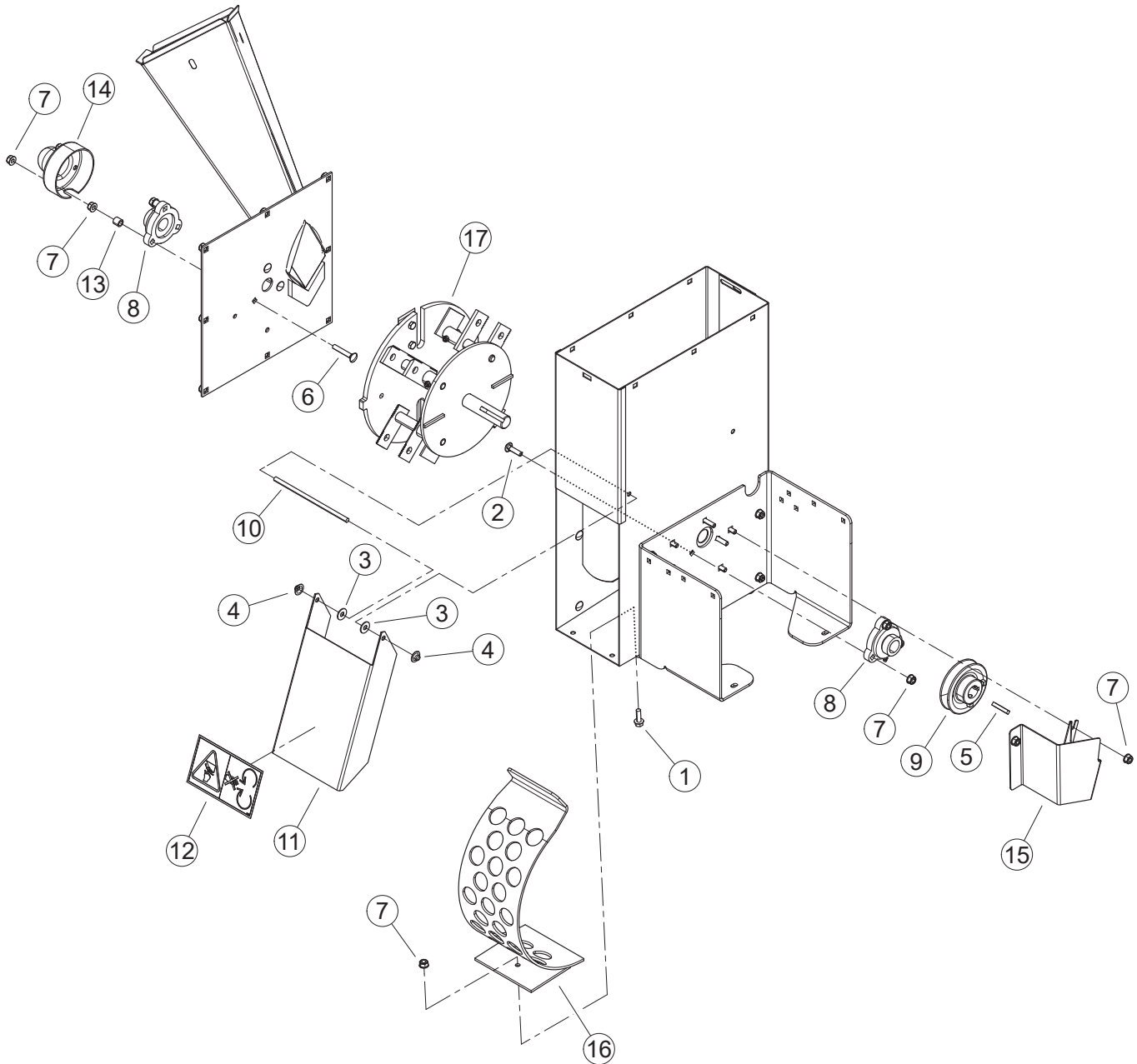
©2021 ECHO Incorporated. All Rights Reserved

P/N 99922205571
REVISED 08/23/21

Body	2
Body	3
Rotor & Bearings	4
Rotor & Bearings	5
Engine	6
Motor	
Engine	7
Motor	
Idler	8
Idler	9
Hopper	10
Hopper	11
LEAF TAMPER	12
99944300009	
ALL WEATHER COVER	13
99944300008	
KIT, 3" DEBRIS BAG	14
99944300011	
KIT, TWO WHEEL TOW	15
99944300010	
SCREEN, FINE (3/8" DIA)	16
99944300004	
SCREEN, MEDIUM (3/4" DIA)	17
99944300005	
SCREEN, COARSE (1-3/8" DIA)	18
99944300006	
Kit, Narrow Shred Knives	19
99944300015	
Kit, Chipper Blade	20
99944300013	
Screen, Wet Debris	21
99944300007	
Kit, Spark Arrester Briggs (208)	22
YH460000170	

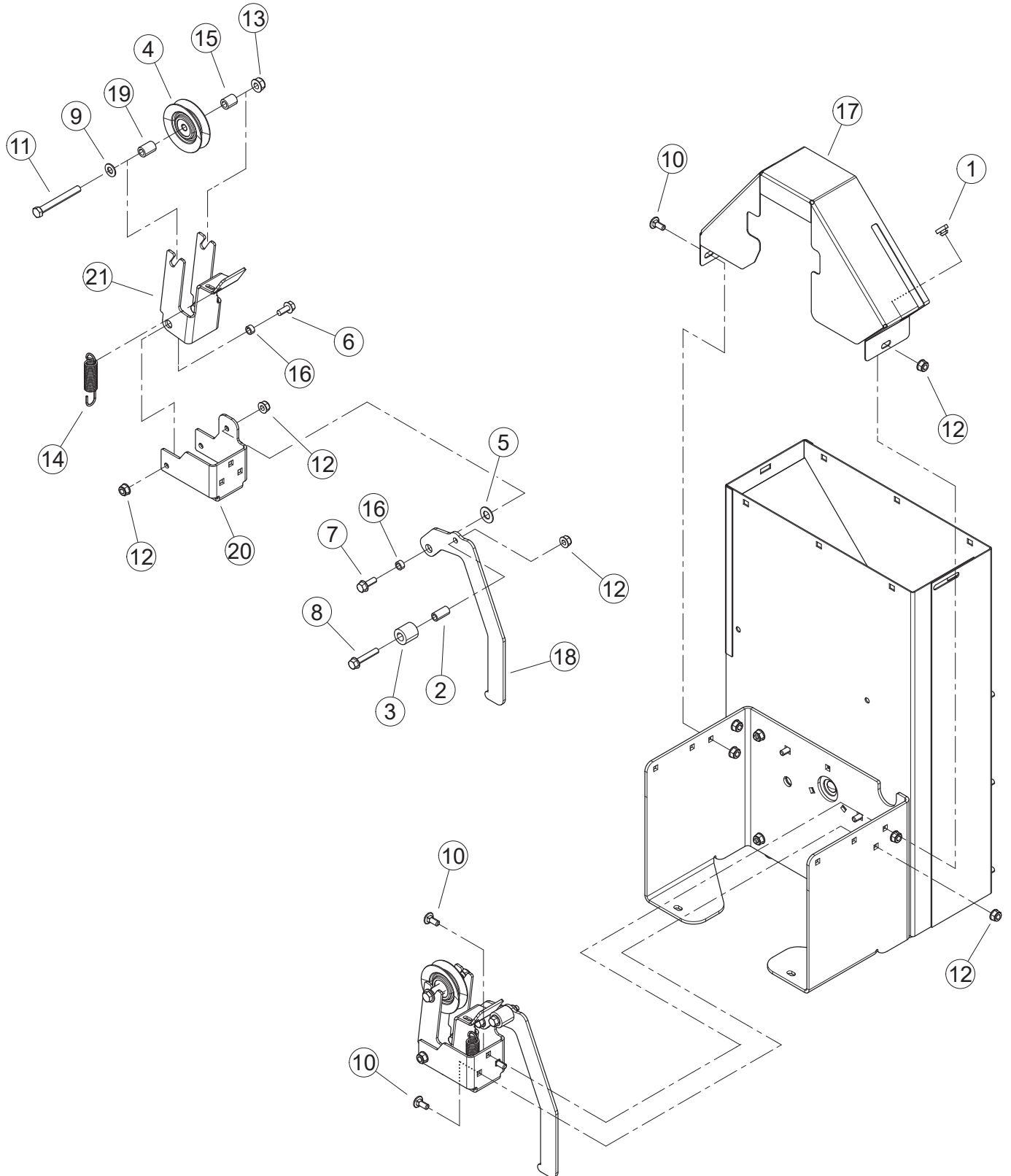


NO	PART NUMBER	QTY	DESCRIPTION
1	YH434000010	2	BOLT, 5/8 × 3 HEX HD GR5 ZP
2	YH436000070	2	BOLT, 5/16 × 1-3/4 FLANGE NC
3	YH436000080	2	BOLT, 5/16 × 2-1/4 FLANGE NC
4	YH434000050	2	BOLT, 5/16 × 3/4 GR5 CRG NC ZP
5	YH434000030	3	BOLT, 5/16-18 × 1 GR5 CRG
6	YH449000040	18	NUT, 5/16-18 NYLOCK FLANGE
7	-	1	DECAL, SERIAL NUMBER
8	YH478000060	2	ASSEMBLY, 410/350-4 FLAT-FREE WHEEL
9	YH479001560	1	WELDMENT, SUPPORT LEG SHORT
10	YH479001570	1	WELDMENT, AXLE 3 IN CHIPPER
11	YH466000410	1	HANDLE, CHIPPER CHUTE 3 IN
12	YH479001610	1	ASSEMBLY, 3 IN FRONT PLATE COMP (includes Item 12)
13	YH653000210	1	+DECAL, 3" CHIPPER CHUTE
14	YH479001630	1	ASSEMBLY, BASE 3 IN CHIPPER SERVICE (includes Items 14 & 15)
15	YH653000170	2	+DECAL, SHIELD DANGER ISO
16	YH653000180	1	+DECAL, BLADE DANGER ISO
17	YH479001850	1	ASSEMBLY, 3 IN DOM BODY COMPONENTS (includes Items 14, 17, 18, & 19).
18	YH653000220	1	+DECAL, 3" CHIPPER BODY SIDE
19	YH653000290	1	+DECAL, SPARK ARRESTOR
20	YH653000440	1	+DECAL, MODEL ECHO SC-2013

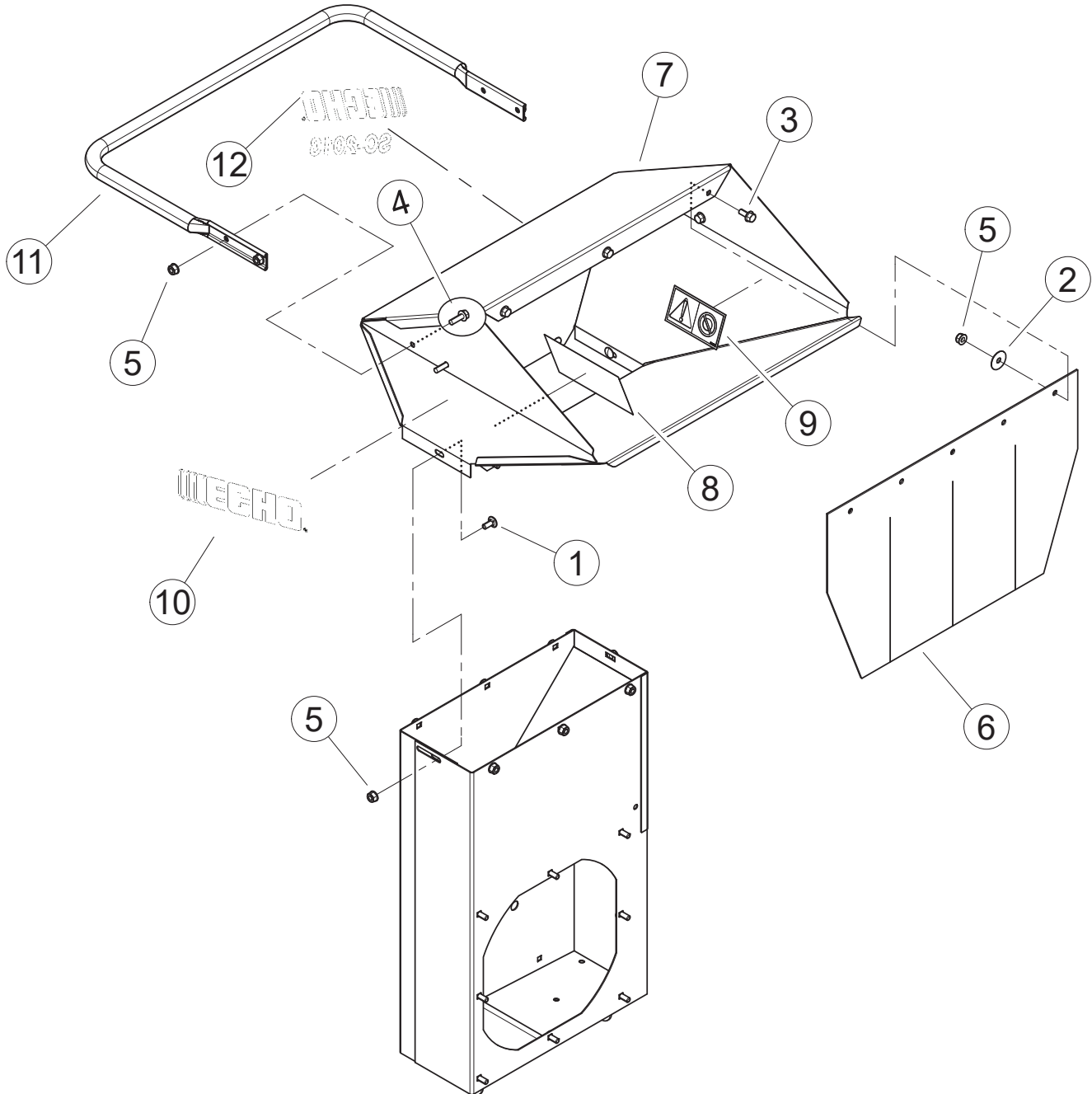


ITEM	PART NUMBER	QTY	DESCRIPTION
1	YH436000050	4	BOLT, 5/16 × 1 FLANGE NC
2	YH434000060	3	BOLT, 5/16 × 1-1/4 GR5 CRG
3	YH451000470	2	WASHER, 5/16" ID 7/8" OD NYLON FLAT
4	YH452000660	2	PUSHNUT, 5/16" ZP
5	YH469000050	1	KEY, 1/4 SQ × 1-1/2 LG PLAIN
6	YH434000080	3	BOLT, 5/16 × 2" GR5 CRG NC ZP
7	YH449000040	13	NUT, 5/16-18 NYLOCK FLANGE
8	YH453000120	2	BEARING, 1" FLUSH MOUNT CAST W/ COLLAR
9	YH472000040	1	PULLEY, CAST 4" OD 1" BORE B GRV
10	YH466000140	1	SHAFT, DOOR PIVOT
11	YH479000800	1	DOOR, 3 + 5 HP DISCHARGE W/ DECAL (includes Item 12)
12	YH653000180	1	+DECAL, BLADE DANGER ISO
13	YH475000090	3	SPACER, .54 OD × .50" LG
14	YH468000110	1	CAP, ROTOR SHAFT END CAP RENTAL
15	YH479001030	1	SHIELD, LOWER
16	99944300006	1	WELDMENT, NARROW COARSE TAPERED
17	YH457000100	1	ASSEMBLY, 3" NARROW ROTOR KNIVES

ITEM	PART NUMBER	QTY	DESCRIPTION
1	YH436000020	2	BOLT, 5/16 × 3/4 SERRATED FLANGE NF
2	YH436000060	4	BOLT, 5/16 × 1-1/2 FLANGE NC
3	YH434000030	4	BOLT, 5/16-18 × 1 GR5 CRG
4	YH469000060	1	KEY, SQUARE 3/16" × 1-1/2" LG PLN
5	YH449000040	8	NUT, 5/16-18 NYLOCK FLANGE
6	YH454000000	1	BELT, 29" C/S
7	YH472000050	1	PULLEY, CAST 4" OD 3/4" BORE B GR
8	-	1	ENGINE, 208cc 900 SERIES B&S
9	YH466000320	1	GUIDE, BELT
10	YH479001430	1	PLATE, ENGINE MOUNTING



ITEM	PART NUMBER	QTY	DESCRIPTION
1	YH468000490	1	BUMPER, RUBBER
2	YH475000190	1	SPACER, 0.5 × 1.00
3	YH453000130	1	ROLLER, 0.5 × 1.00 × 1.00 NYLON
4	YH472000070	1	IDLER, INSIDE
5	YH451000480	1	WASHER, 1/2 INCH NYLON
6	YH436000010	1	BOLT, 5/16 × 3/4 FLANGE NC
7	YH436000030	1	BOLT, 5/16 × 7/8 FLANGE NC
8	YH436000070	1	BOLT, 5/16 × 1-3/4 FLANGE NC
9	YH451000460	1	WASHER, 3/8 SAE FLAT ZP
10	YH434000050	5	BOLT, 5/16 × 3/4 GR5 CRG NC ZP
11	YH434000090	1	BOLT, 3/8 × 3-1/4 HEX HD GR5 ZP
12	YH449000040	7	NUT, 5/16-18 NYLOCK FLANGE
13	YH449000050	1	NUT, 3/8-16 NYLOCK FLANGE
14	YH476000170	1	SPRING, 3/4" OD EXTENSION
15	YH475000070	1	SPACER, 3/4" LONG IDLER TUBE
16	YH475000180	3	SPACER, .50 × .25
17	YH479001020	1	SHIELD, UPPER
18	YH470000860	1	HANDLE, ENGAGEMENT
19	YH475000250	1	SPACER, 5/8 OD × 11 GA × 0.88
20	YH479001600	1	MOUNT, IDLER BRACKET
21	YH466000400	1	BRACKET, IDLER 3 IN CHIPPER



ITEM	PART NUMBER	QTY	DESCRIPTION
1	YH434000110	8	BOLT, 5/16-18 × 3/4 SN GR5 CRG
2	YH451000070	3	WASHER, 5/16" FENDER ZP
3	YH436000010	3	BOLT, 5/16 × 3/4 FLANGE NC
4	YH436000050	4	BOLT, 5/16 × 1 FLANGE NC
5	YH449000040	15	NUT, 5/16-18 NYLOCK FLANGE
6	YH479000840	1	BELTING, RENTAL HOPPER
7	YH479000950	1	ASSEMBLY, NARROW RENTAL HOPPER W/ DECALS (includes Items 8, 9, 10, & 12).
8	YH653000180	1	+DECAL, BLADE DANGER ISO
9	YH653000190	1	+DECAL, SHREDDER SIZE ISO
10	YH653000670	1	+DECAL, ECHO
11	YH479000970	1	HANDLE, RENTAL HOPPER
12	YH653000440	1	+DECAL, MODEL ECHO SC-2013

PART NUMBER	QTY	DESCRIPTION
99944300009	1	LEAF TAMPER KIT
	1	DECAL, TAMPER CAUTION
	1	WELDMENT, LEAF TAMPER



PART NUMBER	QTY	DESCRIPTION
9994430008	1	WEATHERPROOF COVER



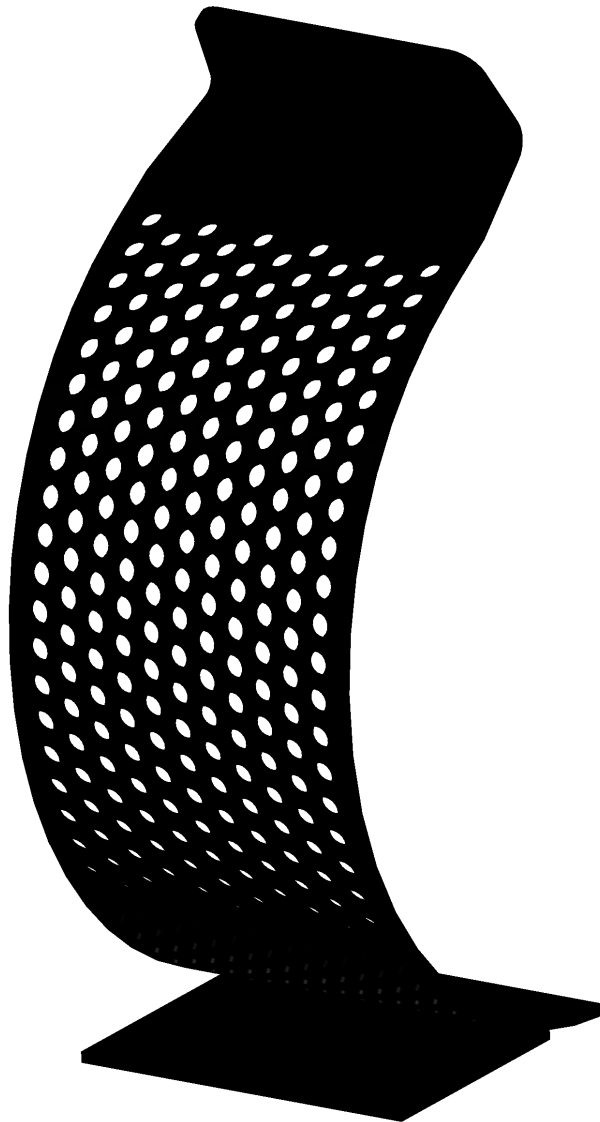
PART NUMBER	QTY	DESCRIPTION
99944300011	1	KIT, 3" DEBRIS BAG
YH449000070	2	NUT, 5/16 NYLOCK
YH434000170	2	BOLT, 5/16-8 X 7/8 HCS
YH486000000	1	BAG, 3" DISCHARGE DEBRIS
YH479002240	1	WELDMENT, BAG FRAME



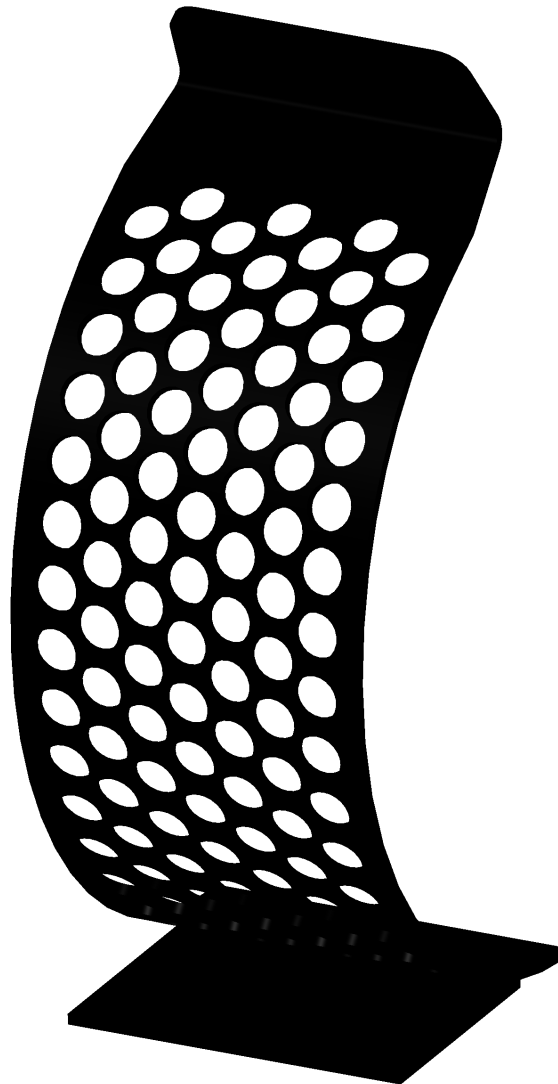
PART NUMBER	QTY	DESCRIPTION
99944300010	1	KIT, TWO WHEEL TOW
YH434000070	1	BOLT, 3/8 × 2 GR5 HEX CAPSCREW ZP
YH434000010	2	BOLT, 5/8 × 3 HEX HD GR5 ZP
YH449000080	1	NUT, 3/8" NE NYLOCK ZP
YH478000060	2	ASSEMBLY, 410/350-4 FOAMFILLED WHEEL
YH479002270	1	WELDMENT, TOW BAR
-	1	ASSEMBLY, TWO WHEEL TOW KIT (Includes items 7-12)
YH449000060	1	+NUT, 1/2-13 CENTERLOCK GRB ZPCNH FC 1551
YH434000120	1	+BOLT, 1/2-13X 2-1/2 HHCS
YH451000320	2	+WASHER,1/2 SAE FLAT
YH468001670	4	+WEAR PAD,STD. SPRING HD FRONT
YH479002280	1	+WELDMENT,HITCH BOTTOM
YH470002290	1	+WELDMENT,HITCH TOP



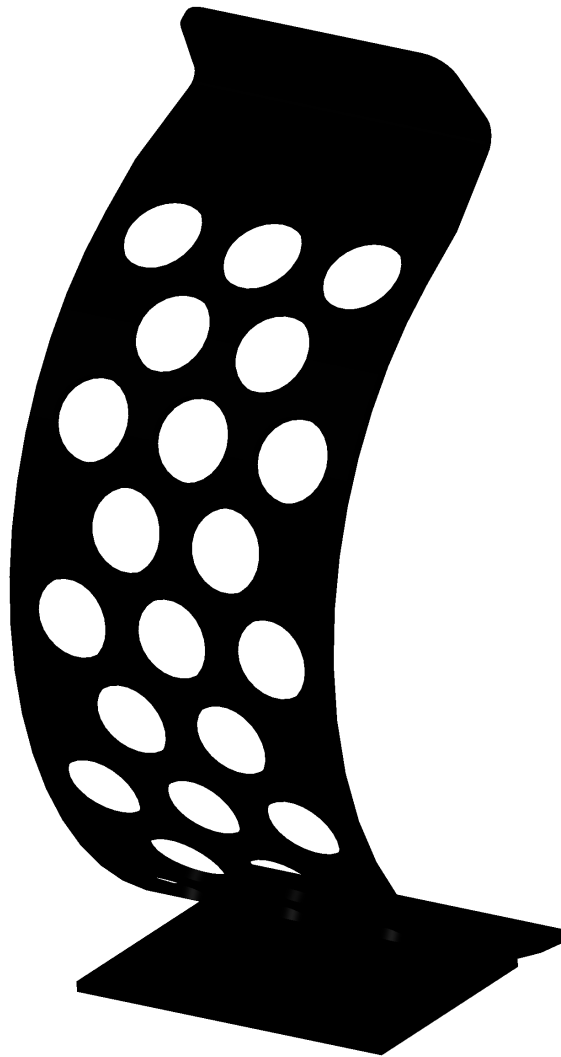
PART NUMBER	QTY	DESCRIPTION
99944300004	1	KIT, 3 IN DEBRIS SCREEN NARROW - FINE
	1	SCREEN WELDMENT, NARROW FINE TAPERED



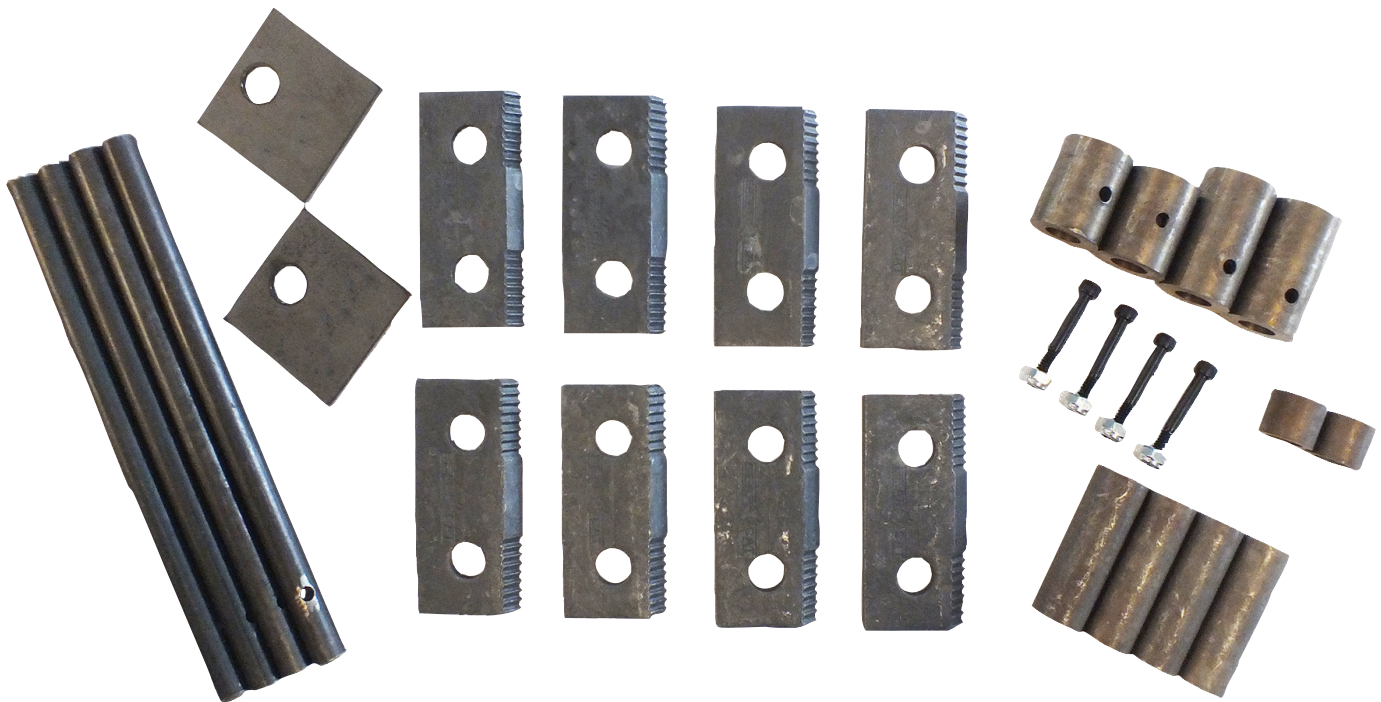
PART NUMBER	QTY	DESCRIPTION
99944300005	1	SCREEN, NARROW MEDIUM FORMED TAPERED
	1	WELDMNT, NARROW MEDIUM TAPERED



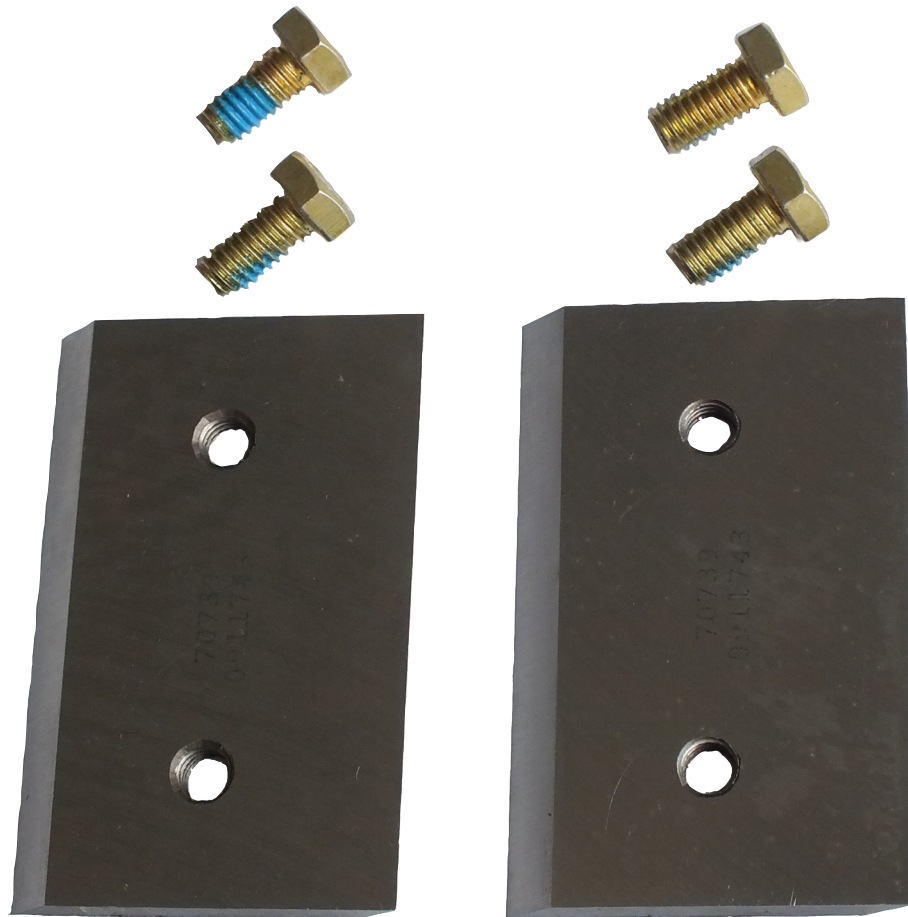
PART NUMBER	QTY	DESCRIPTION
99944300006	1	SCREEN, COARSE (1-3/8" DIA)
	1	WELDMENT, NARROW COARSE TAPPED



PART NUMBER	QTY	DESCRIPTION
99944300015	1	KIT, NARROW SHRED KNIVES
YH450000210	4	NUT, #10X24 NYLOCK
YH415000130	4	SCREW, 10-24 X 1-3/8 IN. SKT HD CAP
YH475000120	2	SPACER, .75 X .62
YH475000150	2	SPACER, 1.0 X 1.70 WITH HOLE
YH475000160	2	SPACER, 1.0 X 1.24 WITH HOLE
YH457000010	8	SHREDDING KNIFE, RECTANGULAR
YH457000050	2	KNIFE, ROTOR BALANCE
YH475000260	4	SPACER - 0.75 X 2.05
YH466000420	4	SHAFT, KNIFE



PART NUMBER	QTY	DESCRIPTION
99944300013	1	KIT, CHIPPER BLADE
	4	BOLT, 5/16-18 X 5/8 HCS GR 8 PATCH Z
	2	BLADE, TWO EDGE CHIPPER



PART NUMBER	QTY	DESCRIPTION
9994430007	1	KIT, 3 IN DEBRIS SCREEN NARROW - WET
	1	WELDMNT, NARROW LEAF TAPERED



PART NUMBER	QTY	DESCRIPTION
YH460000170	1	KIT, SPARK ARRESTER BRIGGS 208CC
	1	SPARK ARRESTER, BRIGGS 208CC

