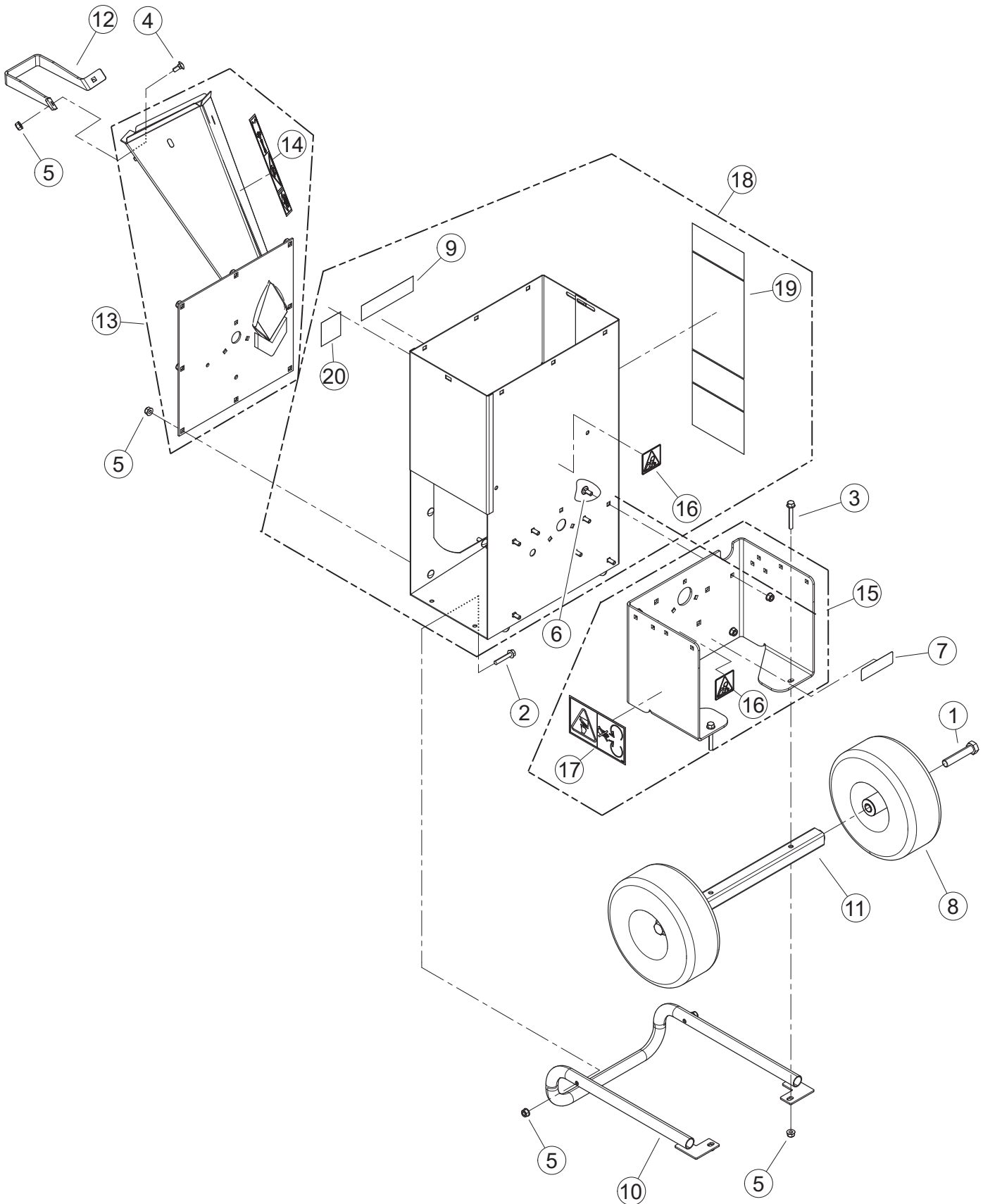
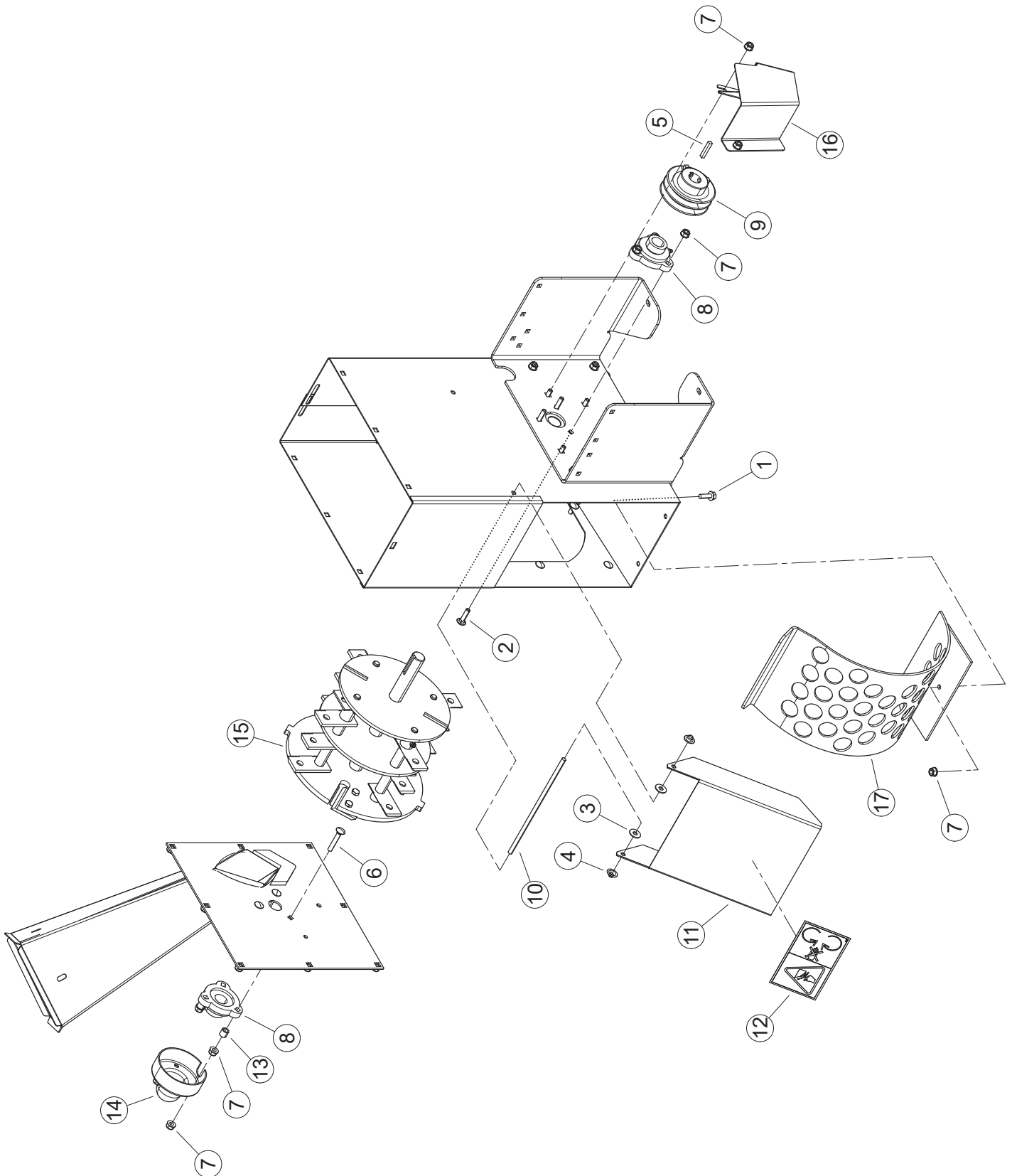


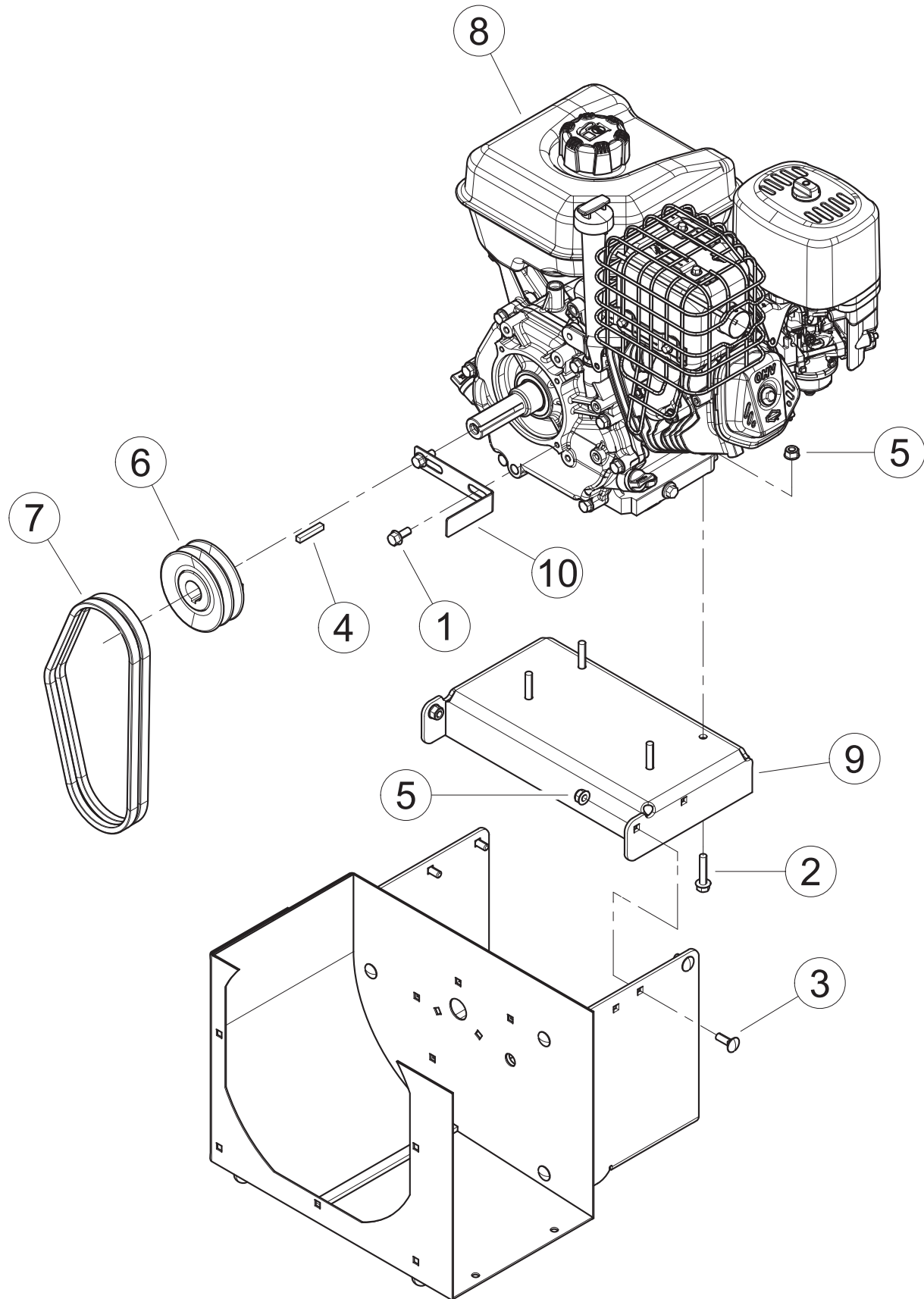
Body	2
Body	3
Rotor & Bearings	4
Rotor & Bearings	5
Engine	6
Motor	
Engine	7
Motor	
Idler	8
Idler	9
Hopper	10
Hopper	11
LEAF TAMPER	12
99944300009	
ALL WEATHER COVER	13
99944300008	
BLOWER, ONE SPEED BLOWER	14
99944300012	
KIT, 3" DEBRIS BAG	15
99944300011	
KIT, WIDE SHREDDER	16
99944300014	
KIT, TWO WHEEL TOW	17
99944300010	
SCREEN, FINE (3/8" DIA)	18
99944300000	
SCREEN, MEDIUM (3/4" DIA)	19
99944300001	
SCREEN, COARSE (1-3/8" DIA)	20
99944300002	
KIT, CHIPPER BLADE	21
99944300013	
SCREEN, WET DEBRIS	22
99944300003	
KIT, SPARK ARRESTER	23
BRIGGS 306/420CC / YH460000210	



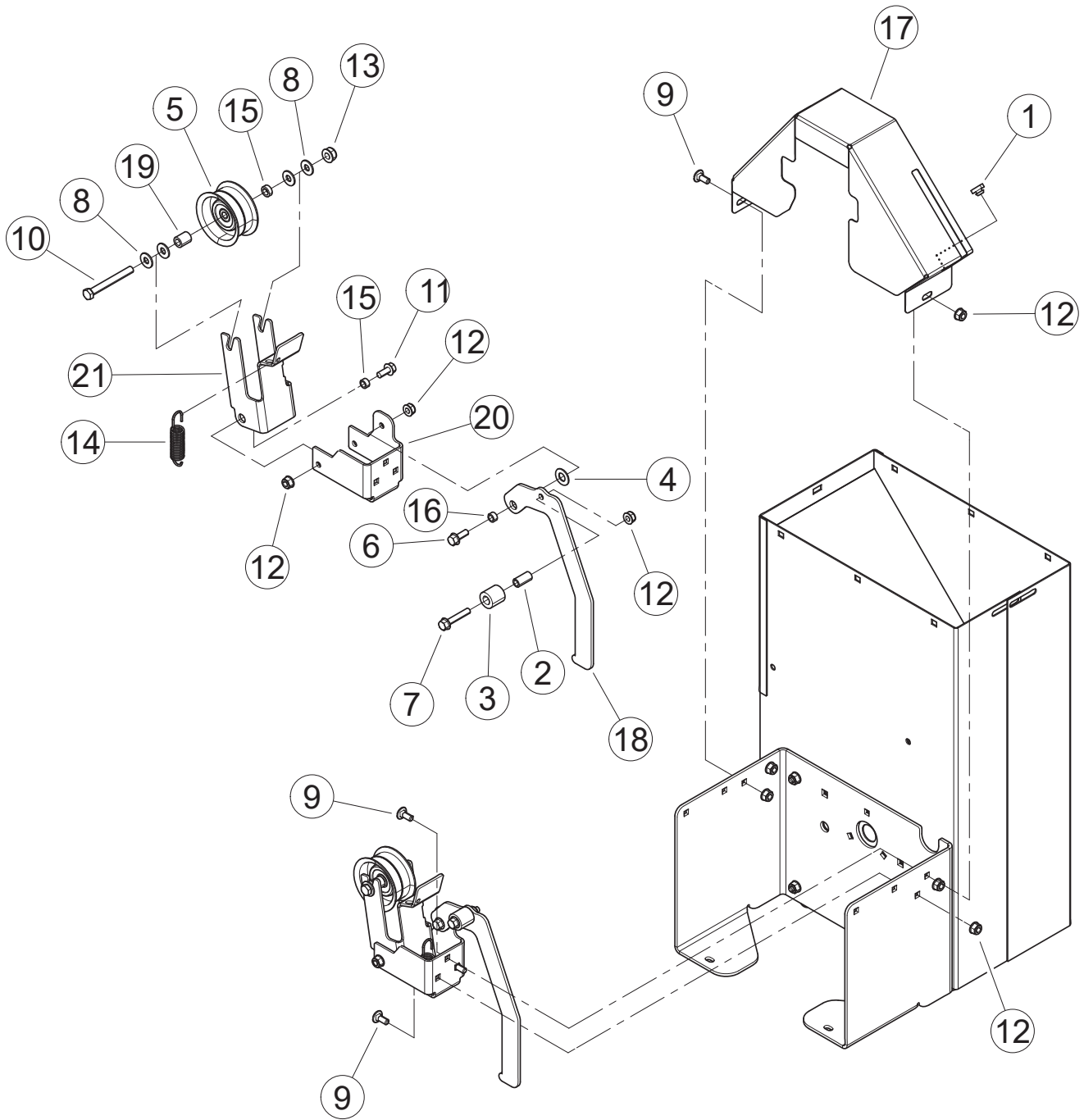
ITEM	PART NUMBER	QTY	DESCRIPTION
1	YH434000010	2	BOLT, 5/8 × 3 HEX HD GR5 ZP
2	YH436000070	2	BOLT, 5/16 × 1-3/4 FLANGE NC
3	YH436000080	2	BOLT, 5/16 × 2-1/4 FLANGE NC
4	YH434000050	2	BOLT, 5/16 × 3/4 GR5 CRG NC ZP
5	YH449000040	18	NUT, 5/16-18 NYLOCK FLANGE
6	YH434000030	3	BOLT, 5/16-18 × 1 GR5 CRG
7	-	1	DECAL, SERIAL NUMBER
8	YH478000060	2	ASSEMBLY, 410/350-4 FLAT-FREE WHEEL
9	YH653000490	1	+DECAL, MODEL SC-4213
10	YH479001440	1	WELDMENT, SUPPORT LEG LONG
11	YH479001570	1	WELDMENT, AXLE 3 IN CHIPPER
12	YH466000410	1	HANDLE, CHIPPER CHUTE 3 IN
13	YH479001610	1	ASSEMBLY, 3 IN FRONT PLATE COMP (includes Item 14)
14	YH653000210	1	+DECAL, 3" CHIPPER CHUTE
15	YH479001630	1	ASSEMBLY, BASE 3 IN CHIPPER SERVICE (includes Items 16 and 17)
16	YH653000170	2	+DECAL, SHIELD DANGER ISO
17	YH653000180	1	+DECAL, BLADE DANGER ISO
18	YH479001640	1	ASSEMBLY, 3" C/S WIDE BODY SERVICE (includes Items 9, 16, 19 and 20)
19	YH653000220	1	+DECAL, 3" CHIPPER BODY SIDE
20	YH653000290	1	+DECAL, SPARK ARRESTOR



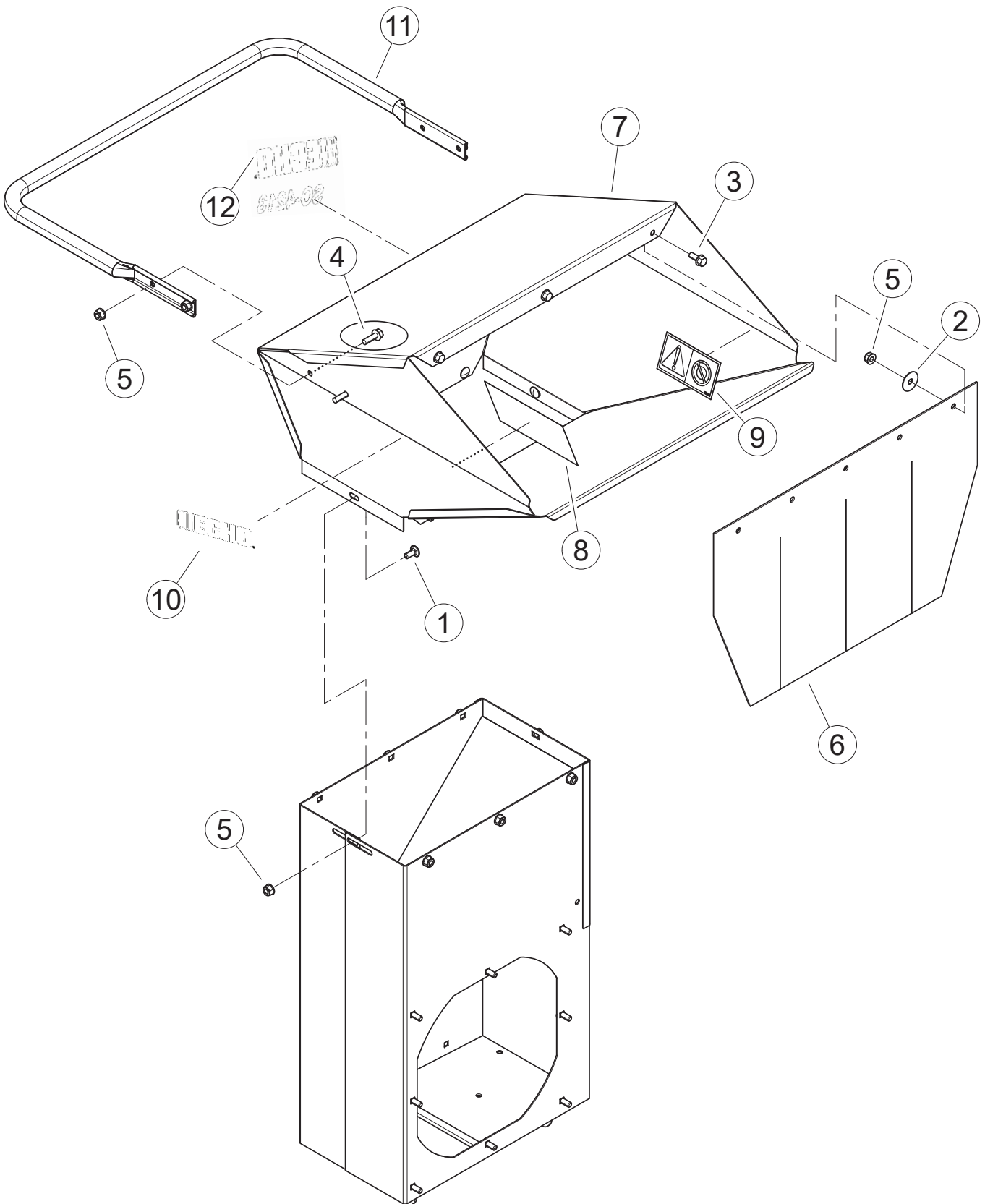
ITEM	PART NUMBER	QTY	DESCRIPTION
1	YH436000050	1	BOLT, 5/16 × 1-1/4 GR5 CRG
2	YH434000060	3	BOLT, 5/16 × 1 FLANGE NC
3	YH451000470	2	WASHER, 5/16" ID 7/8" OD NYLON FLAT
4	YH452000660	2	PUSHNUT, 5/16" ZP
5	YH469000050	1	KEY, 1/4 SQ × 1-1/2 LG PLAIN
6	YH434000080	3	BOLT, 5/16 × 2" GR5 CRG NC ZP
7	YH449000040	13	NUT, 5/16-18 NYLOCK FLANGE
8	YH453000120	2	BEARING, 1" FLUSH MOUNT CAST W/ COLLAR
9	YH472000040	1	PULLEY, CAST 4" OD 1" BORE B GRV
10	YH466000440	1	SHAFT, DOOR PIVOT
11	YH479000810	1	DOOR, DISCHARGE 8 HP W/ DECAL (includes Item 12)
12	YH653000180	1	+DECAL, BLADE DANGER ISO
13	YH475000090	3	SPACER, .54 OD × .50" LG
14	YH468000110	1	CAP, ROTOR SHAFT END CAP RENTAL
15	YH457000080	1	ASSEMBLY, WIDE ROTOR W/ RECT KNIVES
16	YH479001030	1	SHIELD, LOWER
17	99944300002	1	WELDMENT, WIDE COARSE TAPERED



ITEM	PART NUMBER	QTY	DESCRIPTION
1	YH436000020	2	BOLT, 5/16 × 3/4 SERRATED FLANGE NF
2	YH436000060	4	BOLT, 5/16 × 1-1/2 FLANGE NC
3	YH434000030	4	BOLT, 5/16 × 1" GR5 CRG ZP
4	YH469000050	1	KEY, 1/4 SQUARE × 1-1/2 LONG PLAIN
5	YH449000040	8	NUT, 5/16-18 NYLOCK-FLANGE
6	YH472000060	1	PULLEY, 4 X1 2A GROOVE
7	YH454000010	1	BELTS, HAH29.1 EL MATCHED SET
8	-	1	ENGINE, 420cc B&S HORIZONTAL
9	YH479000890	1	PLATE, ENGINE MOUNTING
10	YH466000320	1	GUIDE, BELT



ITEM	PART NUMBER	QTY	DESCRIPTION
1	YH468000490	1	BUMPER, RUBBER
2	YH475000190	1	SPACER, 0.5 × 1.00
3	YH453000130	1	ROLLER, 0.5 × 1.00 × 1.00 NYLON
4	YH451000480	1	WASHER, 1/2 INCH NYLON
5	YH472000080	1	IDLER, 2.75 × 1.25
6	YH436000030	1	BOLT, 5/16 × 7/8 FLANGE NC
7	YH436000070	1	BOLT, 5/16 × 1-3/4 FLANGE NC
8	YH451000440	4	WASHER, 5/16 FLAT ZP
9	YH434000050	5	BOLT, 5/16 × 3/4 GR5 CRG NC ZP
10	YH434000090	1	BOLT, 3/8 × 3-1/4 HEX GR5 ZP
11	YH436000010	2	BOLT, 5/16 × 3/4 FLANGE NC
12	YH449000040	10	NUT, 5/16-18 NYLOCK-FLANGE
13	YH449000050	1	NUT, 3/8-16 NYLOCK FLANGE
14	YH476000170	1	SPRING, 3/4" OD EXTENSION
15	YH475000080	1	SPACER, IDLER PIVOT
16	YH475000180	3	SPACER, .50 × .25
17	YH479001020	1	SHIELD, UPPER
18	YH470000860	1	HANDLE, ENGAGEMENT
19	YH475000250	1	SPACER, 5/8 OD × 11 GA × 0.88
20	YH479001600	1	MOUNT, IDLER BRACKET
20	YH479001600	1	BRACKET, IDLER 3 IN CHIPPER



ITEM	PART NUMBER	QTY	DESCRIPTION
1	YH434000110	8	BOLT, 5/16-18 × 3/4 SN GR5 CRG
2	YH451000070	3	WASHER, 5/16" FENDER ZP
3	YH436000010	3	BOLT, 5/16 × 3/4 FLANGE NC
4	YH436000050	4	BOLT, 5/16 × 1 FLANGE NC
5	YH449000040	15	NUT, 5/16-18 NYLOCK FLANGE
6	YH479000840	1	BELTING, RENTAL HOPPER
7	YH479002200	1	ASSEMBLY, WIDE BODY RENTAL HOPPER W/ DECALS (includes Items 8, 9, 10 & 12).
8	YH653000180	1	+DECAL, BLADE DANGER ISO
9	YH653000190	1	+DECAL, SHREDDER SIZE ISO
10	YH653000670	2	+DECAL, ECHO
11	YH479000970	1	HANDLE, RENTAL HOPPER
12	YH653000490	1	+DECAL, SC-4213 ECHO

PART NUMBER	QTY	DESCRIPTION
99944300009	1	LEAF TAMPER KIT
	1	DECAL, TAMPER CAUTION
	1	WELDMENT, LEAF TAMPER



PART NUMBER	QTY	DESCRIPTION
9994430008	1	WEATHERPROOF COVER



ONE SPEED BLOWER KIT, PN 99944300012		
PART NUMBER	DESCRIPTION	QTY
YH434000050	BOLT, 5/16 × 3/4" GR5 CRG NC ZP	8
YH484000040	SHAFT, BLOWER IMPELLER	1
YH479002220	WELDMENT, BLOWER IMPELLER	1
YH479002210	WELDMENT, BLOWER ATTACHMENT	1
YH453000160	FLANGETTE, 52 mm 3 BOLT TRIANGLE	4
YH653000820	DECAL, SHIELD DANGER ANSI	1
YH449000020	NUT, 5/16"-8 TINNERMAN U-TYPE	3
YH436000080	BOLT, 5/16 × 2-1/4 FLANGE NC	1
YH653000170	DECAL, SHIELD DANGER ISO	1
YH453000170	BEARING, 1 × 52 mm SPH NIR W/ COL	2
YH467000660	SPOUT, BLOWER TUBE	1
YH467000650	BLOWER TUBE	1
YH452000760	CLAMP, T-BOLT 4-1/4" ID ZP	1
YH472000130	PULLEY, 3" OD A GROVE 1" BORE	2
YH454000050	4L390 BELT	1
YH469000050	KEY, 1/4 SQ × 1-1/2" LG PLAIN	2
YH452000770	KNOB, SPOUT 5/16-18	1
YH451000440	WASHER, 5/16" FLAT ZP	2
YH436000010	BOLT, 5/16 × 3/4 FLANGE NC	3
YH449000040	NUT, 5/16 NYLOCK-FLANGE	8
YH479002230	WELDMENT, BLOWER BELT GUARD	1



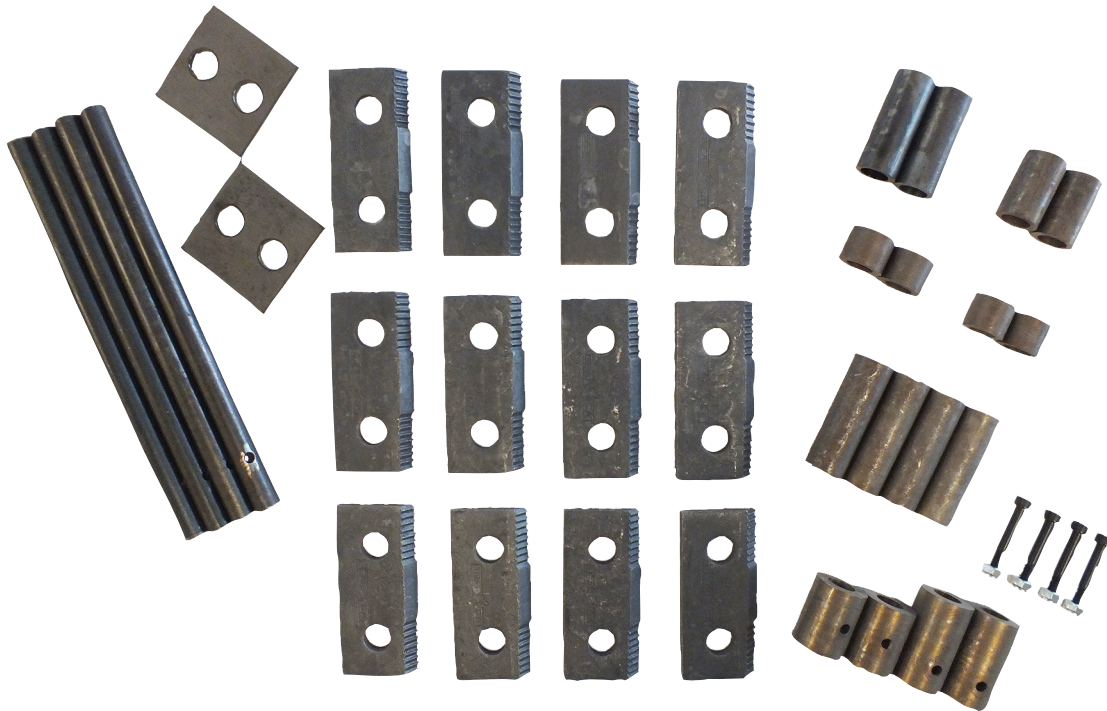
One Speed Blower Kit
P/N: 99944300012

3" DISCHARGE DEBRIS BAG KIT, PN 99944300011

PART NUMBER	DESCRIPTION	QTY
YH449000070	NUT, 5/16 NYLOCK	2
YH434000170	BOLT, 5/16-8 X 7/8 HCS	2
YH486000000	BAG,3" DISCHARGE DEBRIS	1
YH479002240	WELDMENT, BAG FRAME	1



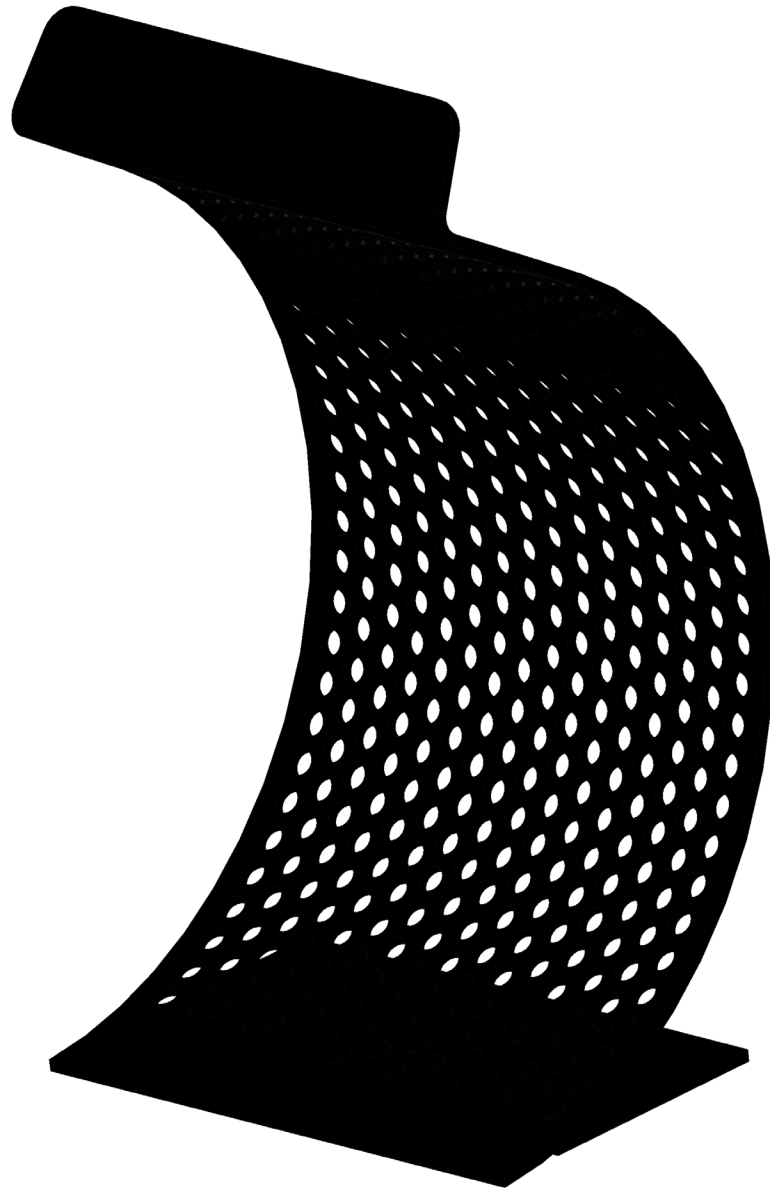
WIDE SHREDDER KNIVES KIT, PN 99944300014			
PART NUMBER	DESCRIPTION		QTY
YH450000210	NUT, 10/24 NYLOCK TYPE NM ZP		4
YH415000130	SCREW, SKT HD CAP #10-24 × 1-3/8" PL		4
YH466000020	SHAFT, C/S KNIFE		4
YH475000110	SPACER, 0.75 × 2.170		4
YH475000120	SPACER, 0.75 × 0.620		2
YH475000130	SPACER, 0.75 × 1.850		2
YH475000140	SPACER, 0.75 × 1.240		2
YH475000150	SPACER, 1.00 × 1.700 (W/ HOLE)		2
YH475000160	SPACER, 1.00 × 1.240 (W/ HOLE)		2
YH457000010	KNIFE, RECTANGULAR SHREDDING		12
YH457000020	KNIFE, ROTOR BALANCE		2
YH475000170	SPACER, .81 × .620		2



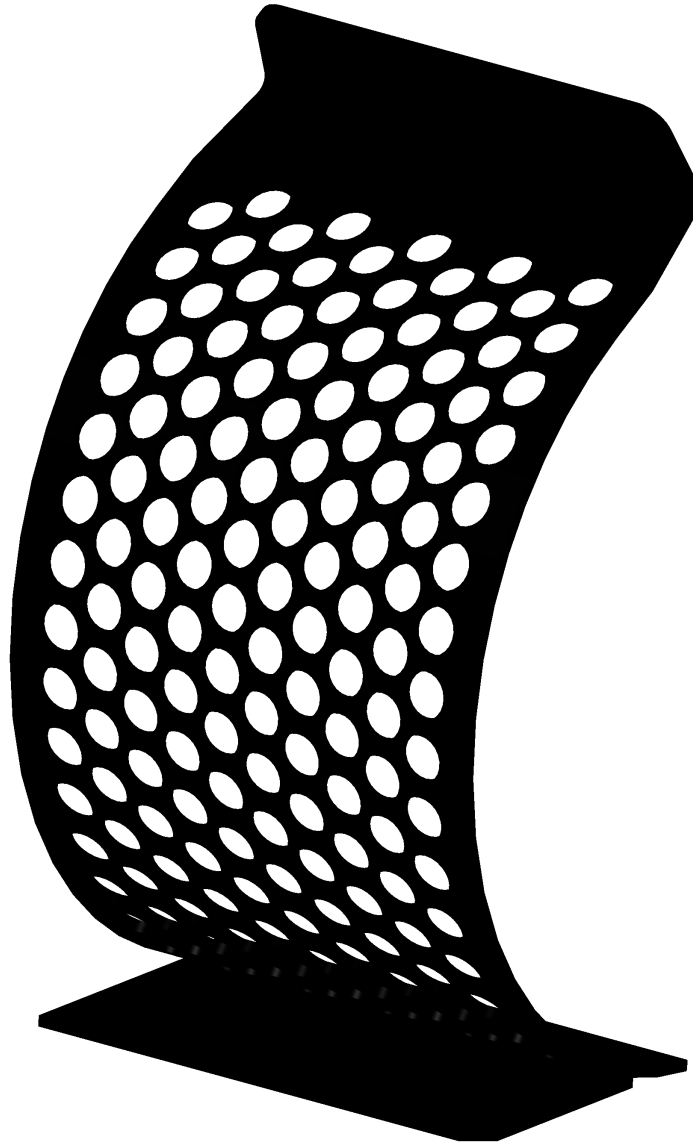
TWO WHEEL TOW KIT, PN 99944300010		
PART NUMBER	DESCRIPTION	QTY
YH434000070	BOLT, 3/8 × 2 GR5 HEX CAPSCREW ZP	1
YH434000010	BOLT, 5/8 × 3 HEX HD GR5 ZP	2
YH449000080	NUT, 3/8" NE NYLOCK ZP	1
YH478000060	ASSEMBLY, 410/350-4 FOAMFILLED WHEEL	2
YH479002270	WELDMENT, TOW BAR	1
-	ASSEMBLY, TWO WHEEL TOW KIT (Includes items 7-12)	1
YH449000060	+NUT, 1/2-13 CENTERLOCK GRB ZPCNH FC 1551	1
YH434000120	+BOLT, 1/2-13X 2-1/2 HHCS	1
YH451000320	+WASHER,1/2 SAE FLAT	2
YH468001670	+WEAR PAD,STD. SPRING HD FRONT	4
YH479002280	+WELDMENT,HITCH BOTTOM	1
YH470002290	+WELDMENT,HITCH TOP	1



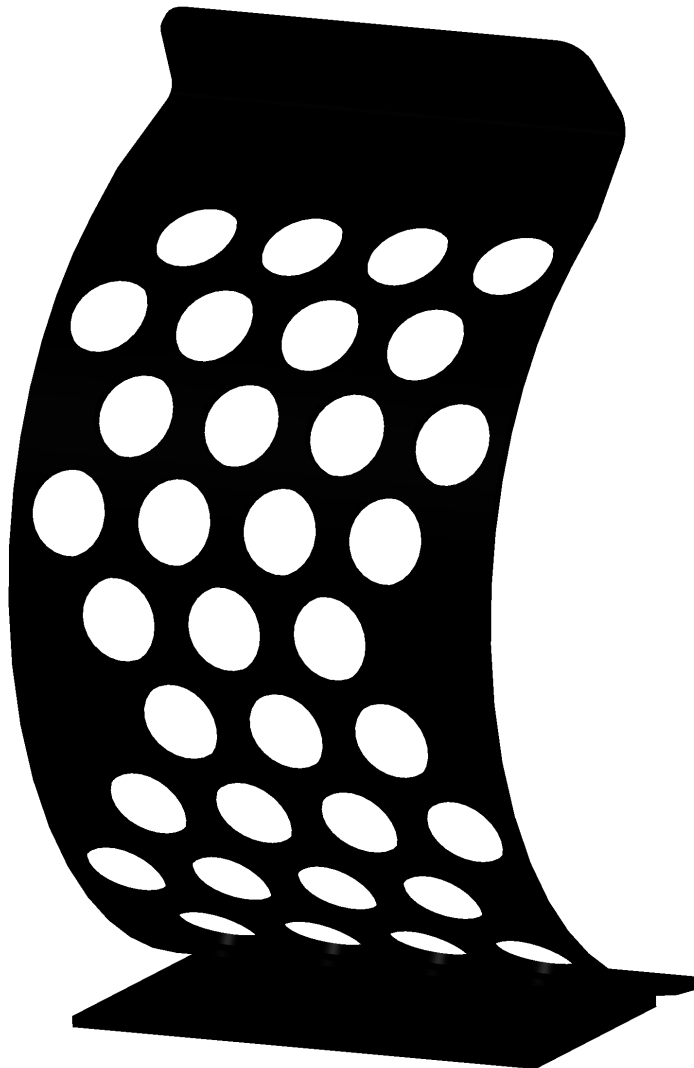
PART NUMBER	QTY	DESCRIPTION
99944300000	1	KIT, 3 IN DEBRIS SCREEN - FINE (3/8" DIA)
	1	WELDMENT, WIDE FINE TAPERED



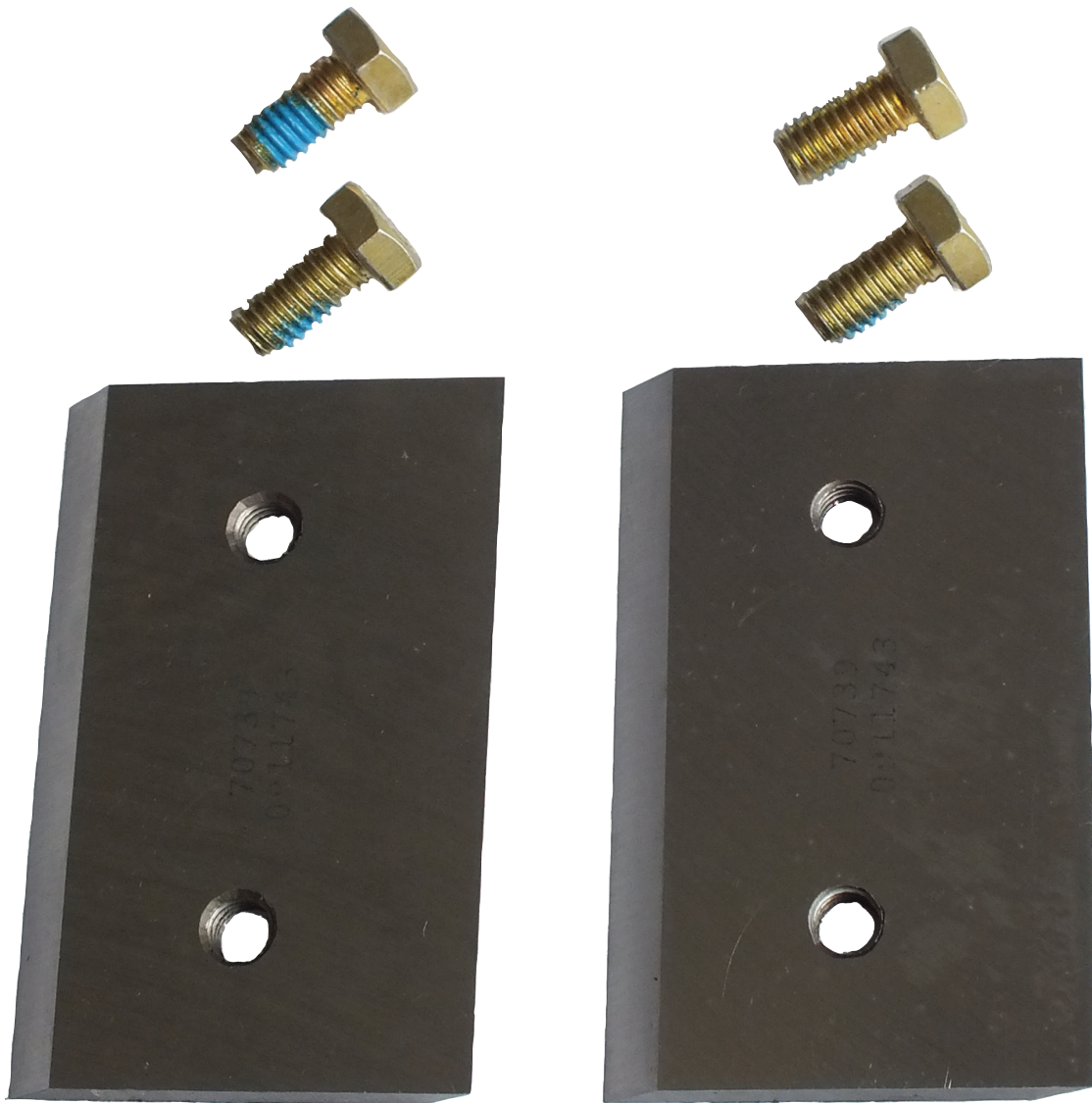
PART NUMBER	QTY	DESCRIPTION
9994430001	1	KIT, 3 IN DEBRIS SCREEN - Medium (3/4" DIA)
	1	WELDMENT, WIDE Medium TAPERED



PART NUMBER	QTY	DESCRIPTION
99944300002	1	KIT, 3 IN DEBRIS SCREEN - COARSE (1-3/8" DIA)
	1	WELDMNT, WIDE COARSE TAPERED



PART NUMBER	QTY	DESCRIPTION
99944300013	1	KIT, CHIPPER BLADE
	4	BOLT, 5/16-18 X 5/8 HCS GR 8 PATCH Z
	2	BLADE, TWO EDGE CHIPPER



PART NUMBER	QTY	DESCRIPTION
99944300003	1	KIT, 3 IN DEBRIS SCREEN - WET
	1	WELDMENT, WIDE LEAF TAPERED



PART NUMBER	QTY	DESCRIPTION
YH460000210	1	KIT, SPARK ARRESTER BRIGGS 306/420CC
	1	SPARK ARRESTER, BRIGGS 306/420CC

