



Accessories for ECHO products can be found at:  
 Los accesorios para los productos ECHO se pueden encontrar en:  
<http://www.echo-usa.com/Products/Accessories>

**OPTIONAL ACCESSORIES & ATTACHMENTS:**

|                      |             |
|----------------------|-------------|
| ToughChest-20 Case   | 99988801210 |
| ToughChest-24 Case   | 99988801211 |
| Chain Sharpening Kit | 99988800724 |

**SAFETY EQUIPMENT**

|                       |             |
|-----------------------|-------------|
| Hearing Protection    | 99988801520 |
| Helmet System         | 99988801500 |
| Chaps - 36" Apron     | 99988801300 |
| Chaps - 40" Apron     | 99988801301 |
| Chaps - 36" Full Wrap | 99988801302 |
| Chaps - 40" Full Wrap | 99988801303 |

**ACCESORIOS OPCIONALES**

|                            |             |
|----------------------------|-------------|
| ToughChest-20 estuche      | 99988801210 |
| ToughChest-24 estuche      | 99988801211 |
| Kit de afilado para cadena | 99988800724 |

**EQUIPO DE SEGURIDAD**

|                            |             |
|----------------------------|-------------|
| Protección de los oídos    | 99988801520 |
| Casco de seguridad         | 99988801500 |
| Chaparreras - Mandil 91cm  | 99988801300 |
| Chaparreras - Mandil 102cm | 99988801301 |
| Chaparreras 91cm           | 99988801302 |
| Chaparreras 102cm          | 99988801303 |

**ECHO INCORPORATED**  
 400 Oakwood Road, Lake Zurich, Illinois 60047  
 WWW.ECHO-USA.COM

**PARTS CATALOG  
 LISTA DE PIEZAS**

**CS-620P  
 Chain Saw  
 CS-620P Motosierra**

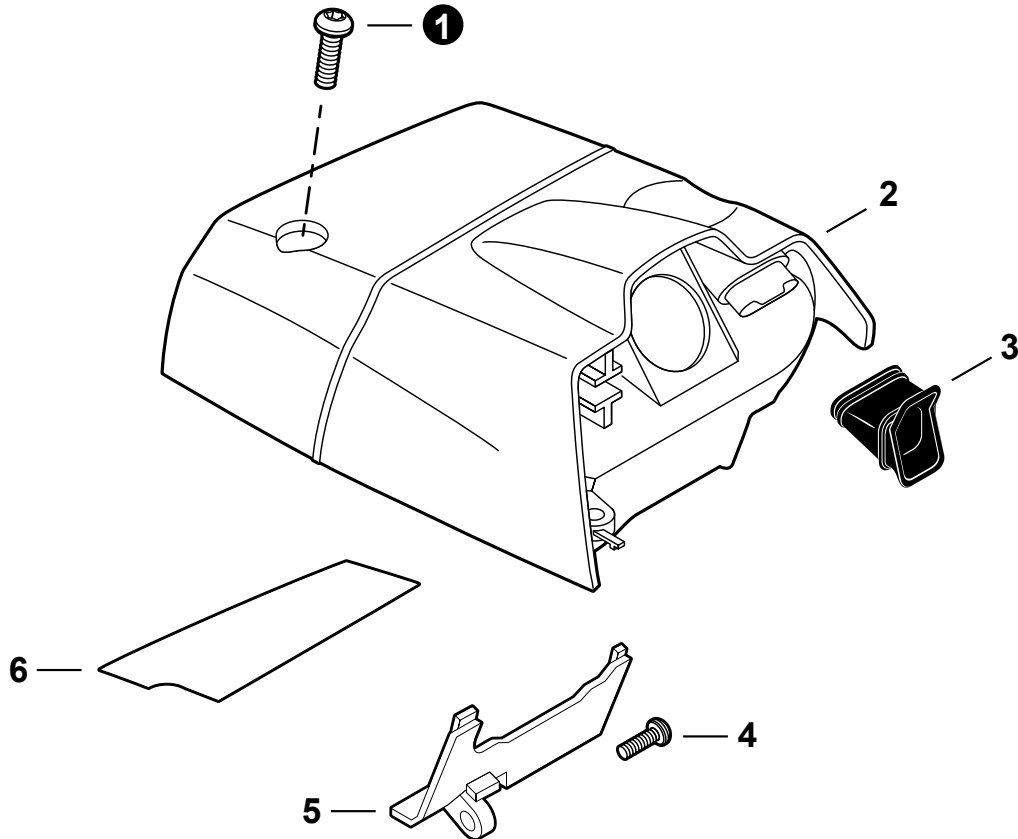


**59.8 cc**

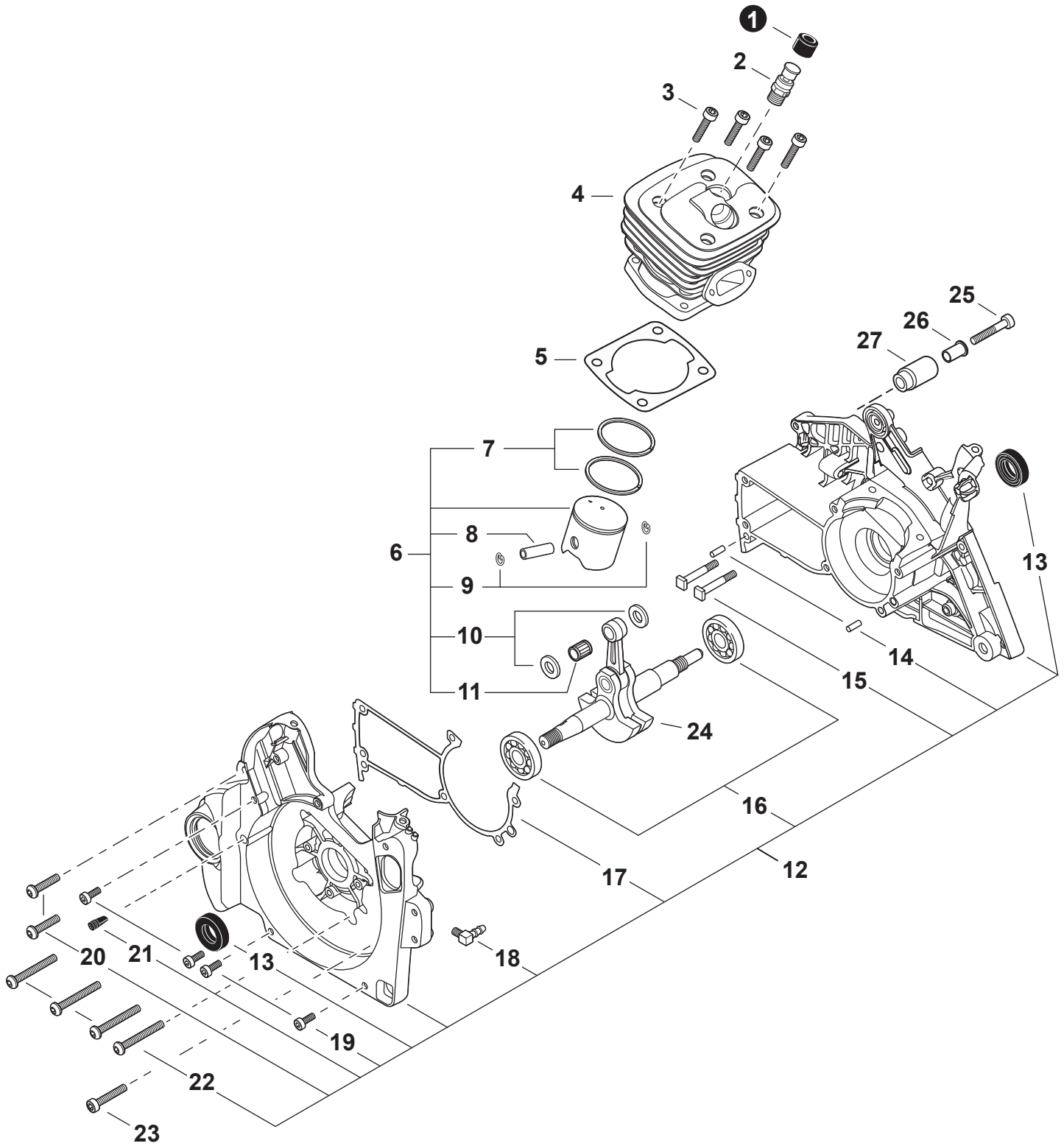
**SERIAL NUMBER  
 NÚMERO DE SERIE**

**C84429001001 - C84429999999**

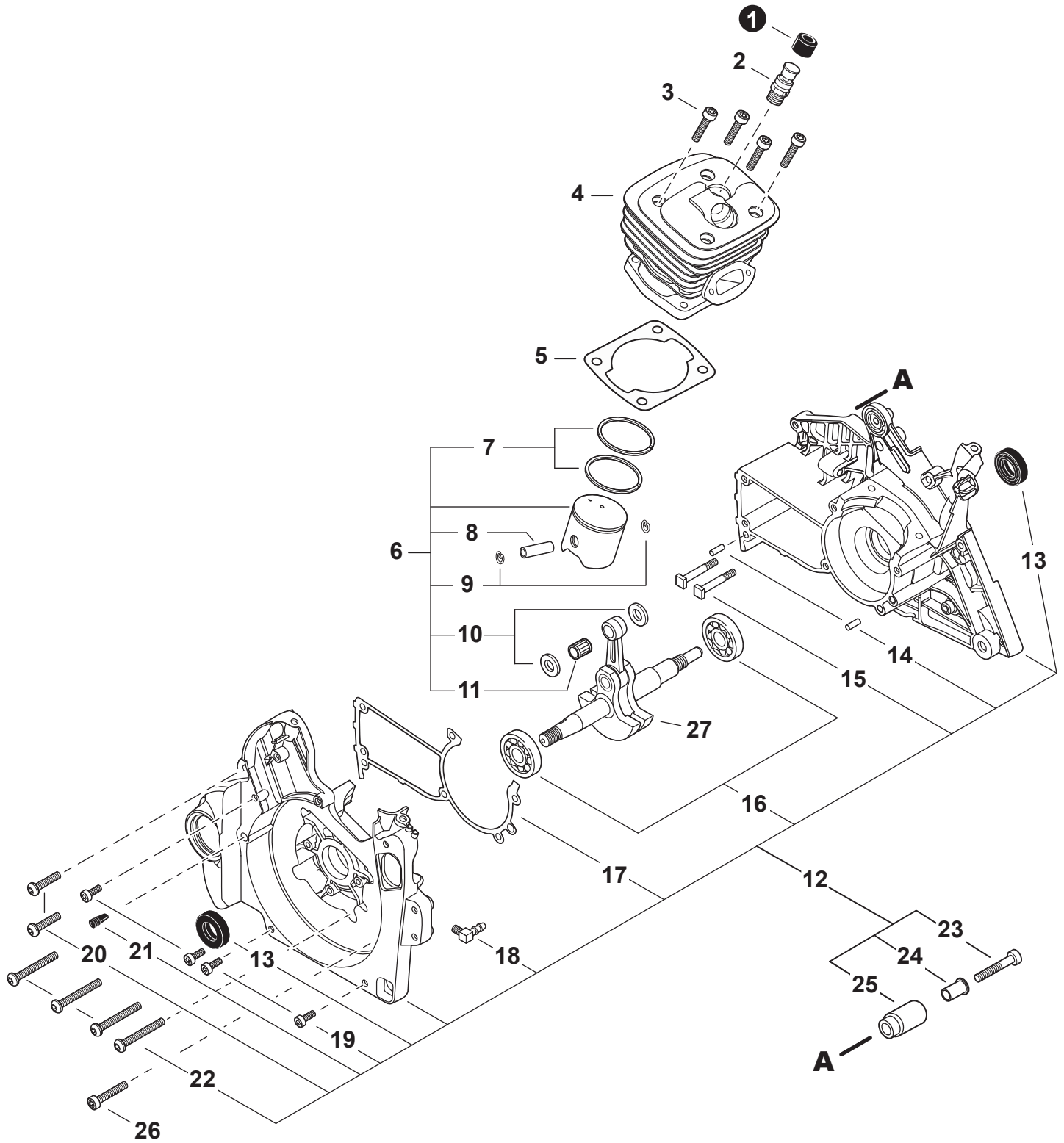
|   |           |                                    |           |
|---|-----------|------------------------------------|-----------|
| <b>Engine Cover</b> .....                                   | <b>3</b>  | <b>Labels</b> .....                | <b>23</b> |
| Cubierta del motor  |           | Etiquetas                          |           |
| <b>Engine S/N C84429001001 - C84429001048</b> .....         | <b>4</b>  | <b>Tools</b> .....                 | <b>24</b> |
| Motor N/S C84429001001 - C84429001048                       |           | Herramientas                       |           |
| <b>Engine S/N C84429001001 - C84429001048</b> .....         | <b>5</b>  | <b>Bulk Pipe</b> .....             | <b>24</b> |
| Motor N/S C84429001001 - C84429001048                       |           | Tubo al por mayor                  |           |
| <b>Engine S/N C84429001049 - C84429999999</b> .....         | <b>6</b>  | <b>Bulk Starter Rope</b> .....     | <b>24</b> |
| Motor N/S C84429001049 - C84429999999                       |           | Cuerda del arrancador al por mayor |           |
| <b>Engine S/N C84429001049 - C84429999999</b> .....         | <b>7</b>  |                                    |           |
| Motor N/S C84429001049 - C84429999999                       |           |                                    |           |
| <b>Carburetor</b> .....                                     | <b>8</b>  |                                    |           |
| Carburador  |           |                                    |           |
| <b>Carburetor</b> .....                                     | <b>9</b>  |                                    |           |
| Carburador  |           |                                    |           |
| <b>Intake</b> .....   | <b>10</b> |                                    |           |
| Admisión  |           |                                    |           |
| <b>Exhaust</b> .....  | <b>11</b> |                                    |           |
| Escape  |           |                                    |           |
| <b>Recoil Starter</b> .....                                 | <b>12</b> |                                    |           |
| Arrancador Autorretráctil                                   |           |                                    |           |
| <b>Ignition</b> .....                                       | <b>13</b> |                                    |           |
| Encendido   |           |                                    |           |
| <b>Fuel System</b> .....                                    | <b>14</b> |                                    |           |
| Sistema de combustible                                      |           |                                    |           |
| <b>Oil System</b> .....                                     | <b>15</b> |                                    |           |
| Sistema de aceite   |           |                                    |           |
| <b>Handles</b> .....  | <b>16</b> |                                    |           |
| Mangos  |           |                                    |           |
| <b>Handles</b> .....  | <b>17</b> |                                    |           |
| Mangos  |           |                                    |           |
| <b>Chain Brake</b> .....                                    | <b>18</b> |                                    |           |
| Freno de cadena   |           |                                    |           |
| <b>Sprocket Guard S/N C84429001001 - C84429001336</b> ..... | <b>19</b> |                                    |           |
| Cubierta del piñón N/S C84429001001 - C84429001336          |           |                                    |           |
| <b>Sprocket Guard S/N C84429001337 - C84429999999</b> ..... | <b>20</b> |                                    |           |
| Cubierta del piñón N/S C84429001337 - C84429999999          |           |                                    |           |
| <b>Clutch</b> .....   | <b>21</b> |                                    |           |
| Embrague  |           |                                    |           |
| <b>Chain, Guide Bar</b> .....                               | <b>22</b> |                                    |           |
| Cadena, Guía de barra                                       |           |                                    |           |



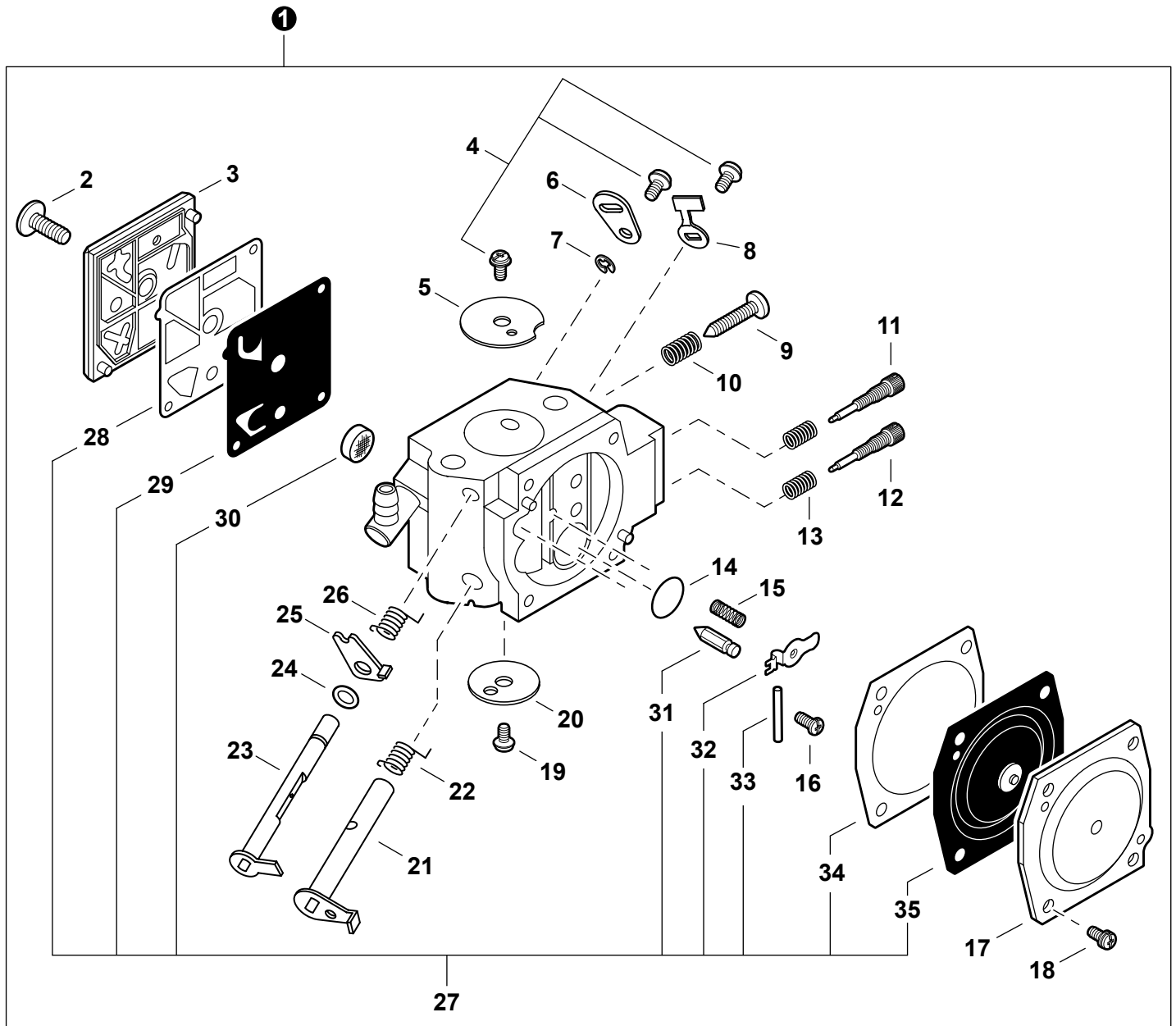
| NO. | PART NUMBER | QTY. | DESCRIPTION             | DESCRIPCIÓN                  |
|-----|-------------|------|-------------------------|------------------------------|
| 1   | V805000000  | 3    | BOLT, TORX 5x16         | PERNO TORX 5x16              |
| 2   | A160001081  | 1    | COVER, ENGINE           | CUBIERTA DE MOTOR            |
| 3   | A239000070  | 1    | PIPE, INTAKE            | TUBO DE ADMISIÓN             |
| 4   | V805000000  | 1    | BOLT, TORX 5x16         | PERNO TORX 5x16              |
| 5   | E106000020  | 1    | GUIDE, AIR              | GUÍA DE AIRE                 |
| 6   | V341000140  | 1    | SHIELD, HEAT 75x32x0.15 | PROTECTOR TÉRMICO 75x32x0.15 |



| NO.       | PART NUMBER       | QTY.     | DESCRIPTION               | DESCRIPCIÓN                      |
|-----------|-------------------|----------|---------------------------|----------------------------------|
| 1         | V141000090        | 1        | COVER, DUST               | CUBIERTA ANTIPOLVO               |
| 2         | A014000110        | 1        | VALVE ASSY, DECOMPRESSION | MONTAJE DE VÁLVULA PURGA         |
| 3         | V805000220        | 4        | BOLT, TORX 5x25           | PERNO TORX 5x25                  |
| 4         | A130002160        | 1        | CYLINDER                  | CILINDRO                         |
| 5         | V100000270        | 1        | GASKET, CYLINDER          | EMPAQUETADURA DE CILINDRO        |
| <b>6</b>  | <b>P021043991</b> | <b>1</b> | <b>PISTON KIT</b>         | <b>JUEGO DE PISTÓN</b>           |
| 7         | A101000210        | 2        | +RING, PISTON             | +ANILLO DEL PISTÓN               |
| 8         | V609000010        | 1        | +PIN, PISTON              | +PASADOR DEL PISTÓN              |
| 9         | V580000030        | 2        | +RING, SNAP 11            | +ANILLO RETENEDOR 11             |
| 10        | V308000040        | 2        | +WASHER, THRUST           | +ARANDELA DE EMPUJE              |
| 11        | V556000000        | 1        | +BEARING, NEEDLE 11       | +COJINETE DE AGUJAS 11           |
| <b>12</b> | <b>P200000960</b> | <b>1</b> | <b>CRANKCASE KIT</b>      | <b>JUEGO DE CÁRTER</b>           |
| 13        | V508000100        | 2        | +SEAL, OIL 15             | +SELLO DE ACEITE 15              |
| 14        | 90033050100       | 2        | +PIN, LOCATING 5x10       | +PASADOR DE POSICIONAMIENTO 5x10 |
| 15        | 43301119831       | 2        | +STUD, GUIDE BAR 8        | +PERNO PRISIONERO 8              |
| 16        | 9403646202        | 2        | +BEARING, BALL 6202       | +COJINETE DE BOLAS 6202          |
| 17        | V102000060        | 1        | +GASKET, CRANKCASE        | +EMPAQUETADURA DE CÁRTER         |
| 18        | 43723914730       | 1        | +CONNECTOR, PIPE          | +CONECTOR DE TUBO                |
| 19        | V805000160        | 4        | +BOLT, TORX 5x20          | +PERNO TORX 5x20                 |
| 20        | V805000010        | 2        | +BOLT, TORX 5x20          | +PERNO TORX 5x20                 |
| 21        | 43611413930       | 1        | +VENT ASSY                | +VÁLVULA DE RESPIRADERO          |
| 22        | V805000020        | 4        | +BOLT, TORX 5x35          | +PERNO TORX 5x35                 |
| 23        | V805000170        | 1        | BOLT, TORX 5x25           | PERNO TORX 5x25                  |
| 24        | A011001270        | 1        | CRANKSHAFT ASSY           | MONTAJE DE CIGÜEÑAL              |
| 25        | V805000020        | 1        | BOLT, TORX 5x35           | PERNO TORX 5x35                  |
| 26        | V353000120        | 1        | COLLAR 5                  | COLLAR 5                         |
| 27        | C310000030        | 1        | CATCHER, CHAIN            | CAPTOR DE CADENA                 |

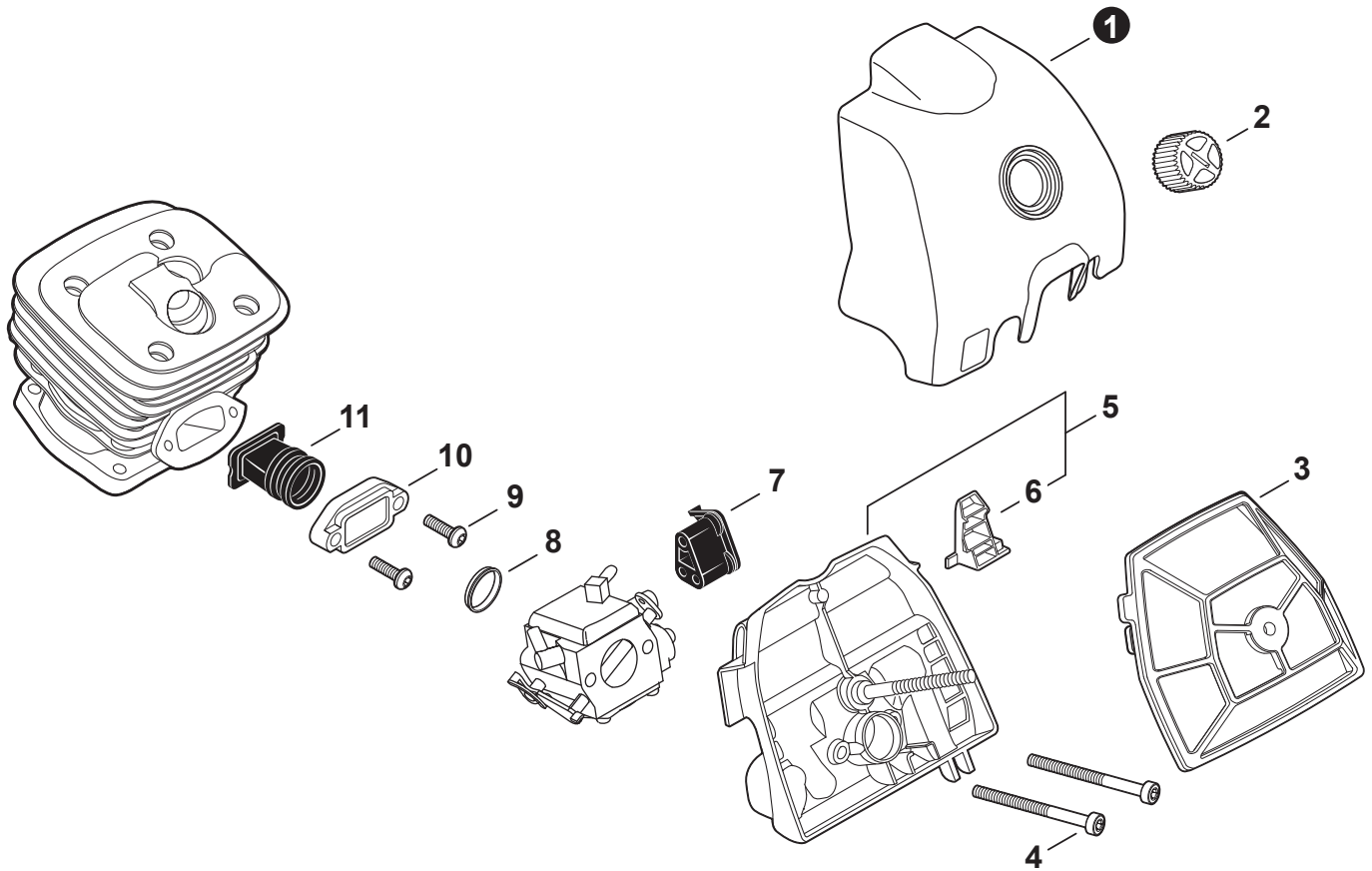


| NO.       | PART NUMBER       | QTY.     | DESCRIPTION               | DESCRIPCIÓN                      |
|-----------|-------------------|----------|---------------------------|----------------------------------|
| 1         | V141000090        | 1        | COVER, DUST               | CUBIERTA ANTIPOLVO               |
| 2         | A014000110        | 1        | VALVE ASSY, DECOMPRESSION | MONTAJE DE VÁLVULA PURGA         |
| 3         | V805000220        | 4        | BOLT, TORX 5x25           | PERNO TORX 5x25                  |
| 4         | A130002160        | 1        | CYLINDER                  | CILINDRO                         |
| 5         | V100000270        | 1        | GASKET, CYLINDER          | EMPAQUETADURA DE CILINDRO        |
| <b>6</b>  | <b>P021043991</b> | <b>1</b> | <b>PISTON KIT</b>         | <b>JUEGO DE PISTÓN</b>           |
| 7         | A101000210        | 2        | +RING, PISTON             | +ANILLO DEL PISTÓN               |
| 8         | V609000010        | 1        | +PIN, PISTON              | +PASADOR DEL PISTÓN              |
| 9         | V580000030        | 2        | +RING, SNAP 11            | +ANILLO RETENEDOR 11             |
| 10        | V308000040        | 2        | +WASHER, THRUST           | +ARANDELA DE EMPUJE              |
| 11        | V556000000        | 1        | +BEARING, NEEDLE 11       | +COJINETE DE AGUJAS 11           |
| <b>12</b> | <b>P200001310</b> | <b>1</b> | <b>CRANKCASE KIT</b>      | <b>JUEGO DE CÁRTER</b>           |
| 13        | V508000100        | 2        | +SEAL, OIL 15             | +SELLO DE ACEITE 15              |
| 14        | 90033050100       | 2        | +PIN, LOCATING 5x10       | +PASADOR DE POSICIONAMIENTO 5x10 |
| 15        | 43301119831       | 2        | +STUD, GUIDE BAR 8        | +PERNO PRISIONERO 8              |
| 16        | 9403646202        | 2        | +BEARING, BALL 6202       | +COJINETE DE BOLAS 6202          |
| 17        | V102000060        | 1        | +GASKET, CRANKCASE        | +EMPAQUETADURA DE CÁRTER         |
| 18        | 43723914730       | 1        | +CONNECTOR, PIPE          | +CONECTOR DE TUBO                |
| 19        | V805000160        | 4        | +BOLT, TORX 5x20          | +PERNO TORX 5x20                 |
| 20        | V805000010        | 2        | +BOLT, TORX 5x20          | +PERNO TORX 5x20                 |
| 21        | 43611413930       | 1        | +VENT ASSY                | +VÁLVULA DE RESPIRADERO          |
| 22        | V805000020        | 4        | +BOLT, TORX 5x35          | +PERNO TORX 5x35                 |
| 23        | V856000010        | 1        | +BOLT, TORX 6x30          | +PERNO TORX 6x30                 |
| 24        | V354000650        | 1        | +COLLAR 6                 | +COLLAR 6                        |
| 25        | C310000030        | 1        | +CATCHER, CHAIN           | +CAPTOR DE CADENA                |
| 26        | V805000170        | 1        | BOLT, TORX 5x25           | PERNO TORX 5x25                  |
| 27        | A011001270        | 1        | CRANKSHAFT ASSY           | MONTAJE DE CIGÜEÑAL              |

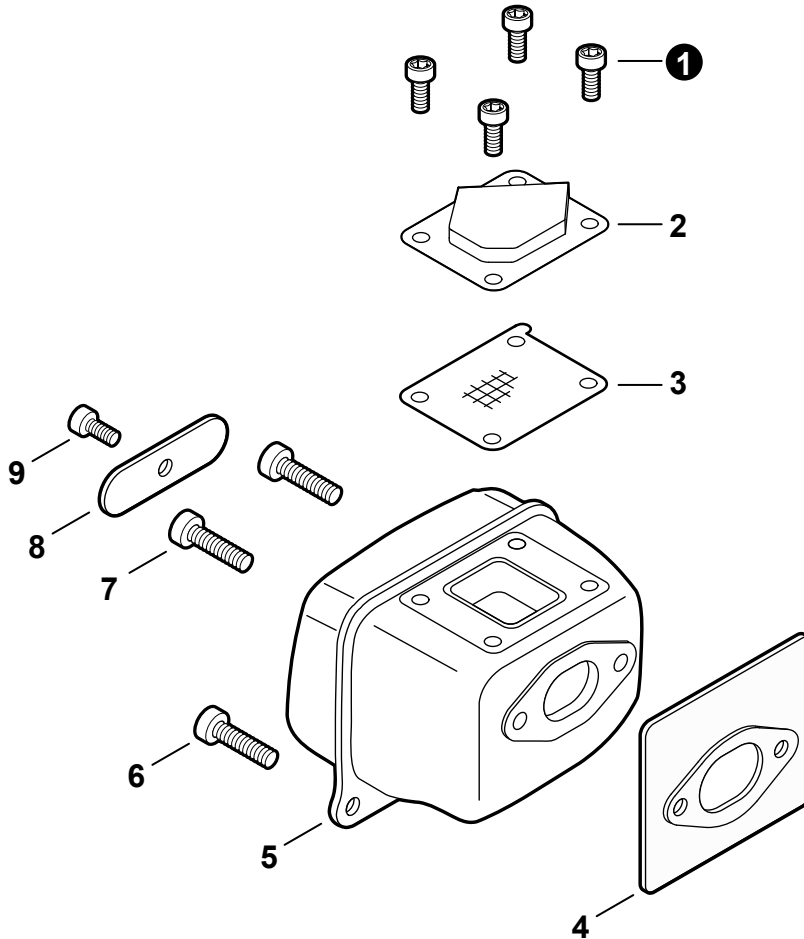




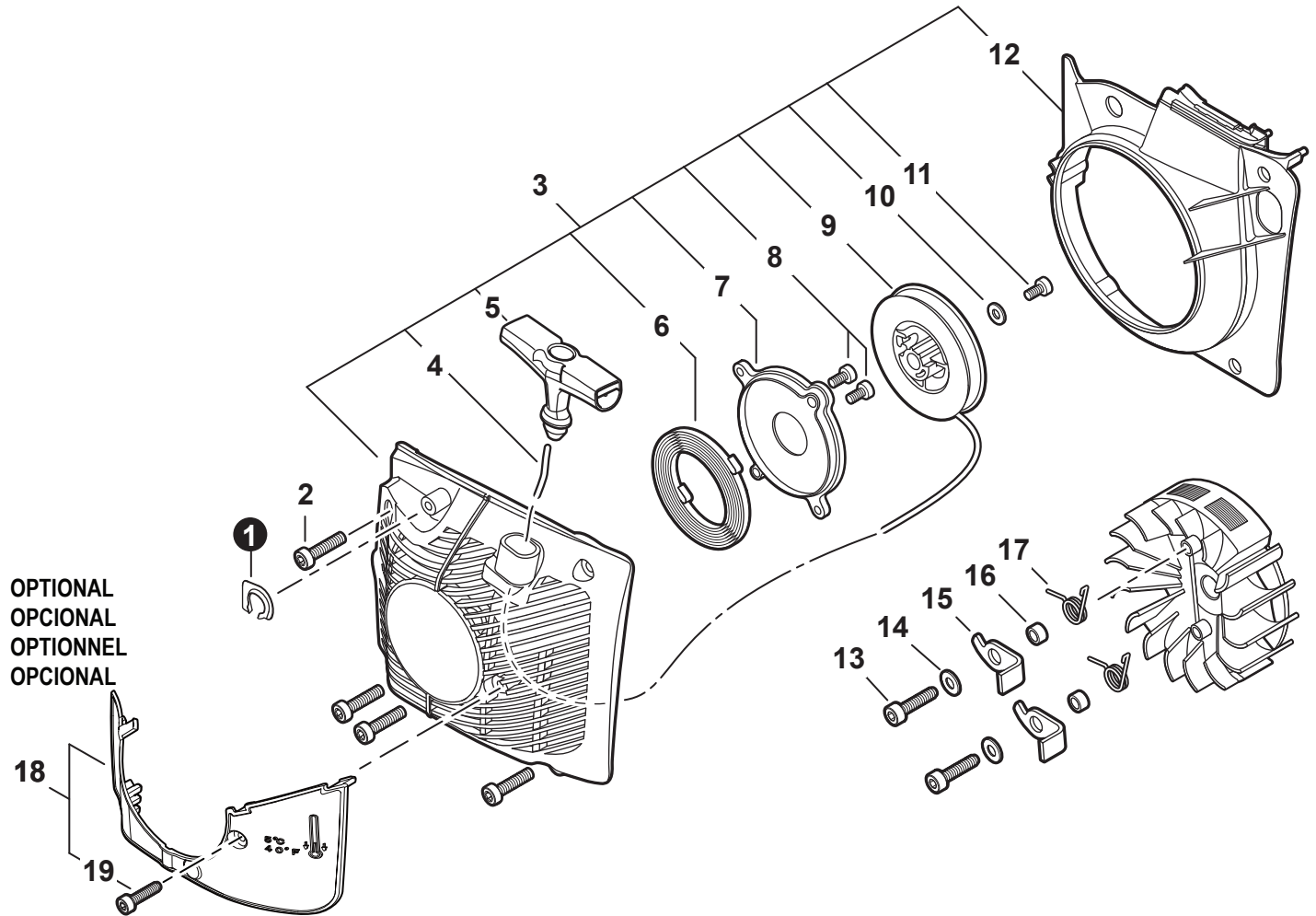
| NO. | PART NUMBER | QTY. | DESCRIPTION                  | DESCRIPCIÓN                                |
|-----|-------------|------|------------------------------|--|
| 1   | A021004320  | 1    | CARBURETOR HDA-327           | CARBURADOR HDA-327                         |
| 2   | 12311016130 | 1    | +SCREW                       | +TORNILLO                                  |
| 3   | 12312419830 | 1    | +COVER, FUEL PUMP            | +CUBIERTA DE LA BOMBA DE COMBUSTIBLE       |
| 4   | 12311438830 | 3    | +SCREW                       | +TORNILLO                                  |
| 5   | 12311616130 | 1    | +VALVE, THROTTLE             | +VÁLVULA DEL ACELERADOR                    |
| 6   | P003002300  | 1    | +LEVER, CHOKE                | +PALANCA DE ESTRANGULADOR                  |
| 7   | 12312715030 | 1    | +E-RING                      | +RETENEDOR TIPO "E"                        |
| 8   | 12315630830 | 1    | +STOP, THROTTLE              | +ALTO DEL ACELERADOR                       |
| 9   | 12313404260 | 1    | +SCREW, IDLE ADJUST          | +TORNILLO PARA AJUSTAR EL RALENTI          |
| 10  | 12313304260 | 1    | +SPRING, IDLE ADJUST         | +RESORTE PARA AJUSTAR EL RALENTÍ           |
| 11  | P003005290  | 1    | +NEEDLE, HIGH SPEED          | +AGUJA DE REGULACION ALTA (H)              |
| 12  | P003005280  | 1    | +NEEDLE, LOW SPEED           | +AGUJA DE REGULACION BAJA (L)              |
| 13  | 12312116130 | 2    | +SPRING, NEEDLE              | +RESORTE AGUJA DE REGULACION               |
| 14  | 12314610631 | 1    | +PLUG, WELCH                 | +TAPÓN WELCH                               |
| 15  | 12312232630 | 1    | +SPRING                      | +RESORTE                                   |
| 16  | P003005400  | 1    | +SCREW                       | +TORNILLO                                  |
| 17  | 12314217330 | 1    | +COVER, METERING DIAPHRAGM   | +TAPA DE DIAFRAGMA DE MEDICIÓN             |
| 18  | 12313002960 | 4    | +SCREW                       | +TORNILLO                                  |
| 19  | P003002380  | 1    | +SCREW                       | +TORNILLO                                  |
| 20  | 12313216130 | 1    | +VALVE, THROTTLE             | +VÁLVULA DEL ACELERADOR                    |
| 21  | P003002280  | 1    | +SHAFT, THROTTLE             | +EJE DEL ACELERADOR                        |
| 22  | P003000560  | 1    | +SPRING, THROTTLE RETURN     | +RESORTE DEL ACELERADOR                    |
| 23  | P003002290  | 1    | +SHAFT, CHOKE                | +EJE DEL ESTRANGULADOR                     |
| 24  | 12314926030 | 1    | +WASHER                      | +ARANDELA                                  |
| 25  | P003000620  | 1    | +LEVER, FAST IDLE            | +PALANCA DE RALENTÍ RÁPIDO                 |
| 26  | P003000610  | 1    | +SPRING, CHOKE RETURN        | +RESORTE RETORNADOR ESTRANGULADOR          |
| 27  | P033000000  | 1    | <b>+REPAIR KIT</b>           | <b>+JUEGO DE REPARACIÓN</b>                |
| 28  | 12312512330 | 1    | ++GASKET, FUEL PUMP          | ++EMPAQUETADURA DE LA BOMBA DE COMBUSTIBLE |
| 29  | 12311212330 | 1    | ++DIAPHRAGM, FUEL PUMP       | ++DIAFRAGMA DE LA BOMBA DE COMBUSTIBLE     |
| 30  | 12312610631 | 1    | ++SCREEN, FUEL INLET         | ++MALLA FILTRADORA                         |
| 31  | 12313719830 | 1    | ++VALVE, INLET NEEDLE        | ++VÁLVULA REGULADORA                       |
| 32  | 12312318330 | 1    | ++LEVER, METERING            | ++PALANCA DE MEDICIÓN                      |
| 33  | 12313803930 | 1    | ++PIN, METERING LEVER        | ++PASADOR DE PALANCA DE MEDICIÓN           |
| 34  | 12314016130 | 1    | ++GASKET, METERING DIAPHRAGM | ++EMPAQUETADURA DIAFRAGMA DE MEDICIÓN      |
| 35  | P003004920  | 1    | ++DIAPHRAGM, METERING        | ++DIAFRAGMA DE MEDICIÓN                    |



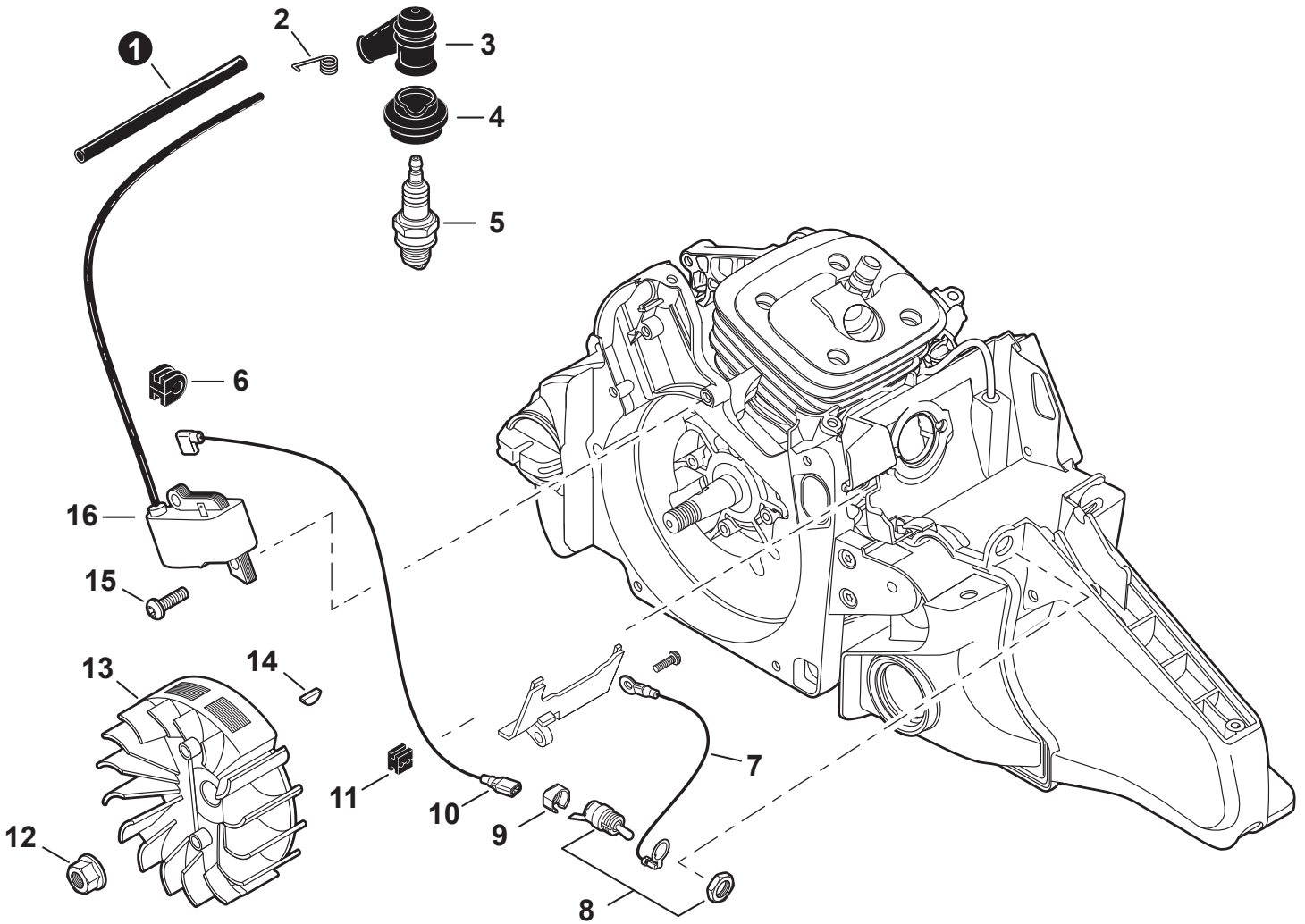
| NO. | PART NUMBER       | QTY. | DESCRIPTION             | DESCRIPCIÓN                            |
|-----|-------------------|------|-------------------------|--|
| 1   | A232000472        | 1    | COVER, AIR FILTER       | CUBIERTA DEL FILTRO DE AIRE            |
| 2   | A235000191        | 1    | KNOB, AIR FILTER COVER  | PERILLA DE CUBIERTA DEL FILTRO DE AIRE |
| 3   | P021016372        | 1    | FILTER ASSY, AIR        | MONTAJE DE FILTRO DE AIRE              |
| 4   | V805000080        | 2    | BOLT, TORX 5x50         | PERNO TORX 5x50                        |
| 5   | <b>P021016023</b> | 1    | <b>CASE, AIR FILTER</b> | <b>CAJA DEL FILTRO DE AIRE</b>         |
| 6   | A219000000        | 1    | +SHUTTER, AIR           | +OBTURADOR DE AIRE                     |
| 7   | V131000020        | 1    | GROMMET, NEEDLE         | OJAL DE AGUJA                          |
| 8   | V360000060        | 1    | COLLAR 18.6x20.4x4      | COLLAR 18.6x20.4x4                     |
| 9   | V805000000        | 2    | BOLT, TORX 5x16         | PERNO TORX 5x16                        |
| 10  | A206000010        | 1    | HOLDER, BELLOWS         | SOPORTE DE FUELLE                      |
| 11  | A202000081        | 1    | BELLOWS, INTAKE         | FUELLE DE ADMISIÓN                     |



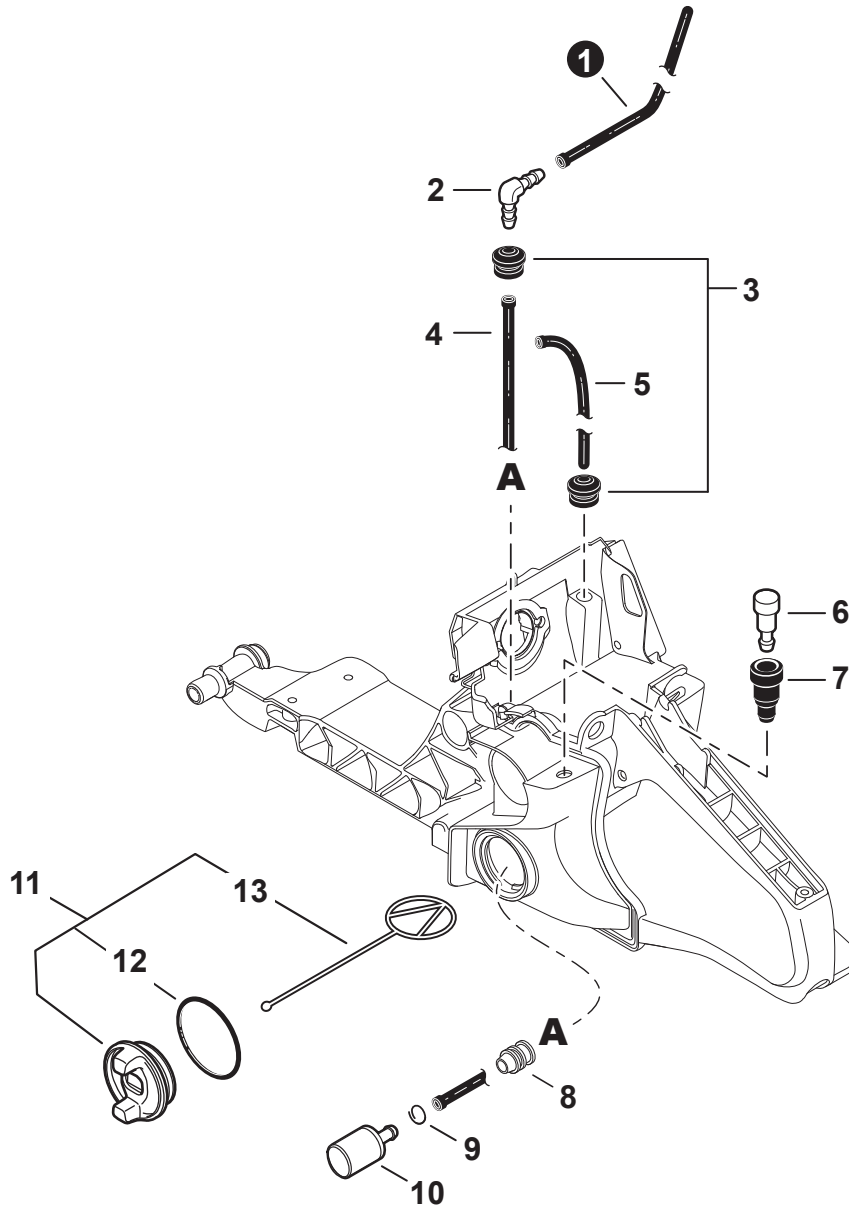
| NO. | PART NUMBER | QTY. | DESCRIPTION            | DESCRIPCIÓN             |
|-----|-------------|------|------------------------|-------------------------|
| 1   | V804000030  | 4    | BOLT, TORX 4x8         | PERNO TORX 4x8          |
| 2   | A031000040  | 1    | GUIDE, EXHAUST         | GUÍA DE ESCAPE          |
| 3   | A310000100  | 1    | SCREEN, SPARK ARRESTER | SUPRESOR DE CHISPAS     |
| 4   | V104002150  | 1    | GASKET, EXHAUST        | EMPAQUETADURA DE ESCAPE |
| 5   | A300001811  | 1    | MUFFLER                | SILENCIADOR             |
| 6   | V855000010  | 2    | BOLT, TORX 5x25        | PERNO TORX 5x25         |
| 7   | V805000210  | 2    | BOLT, TORX 5x20        | PERNO TORX 5x20         |
| 8   | A301000030  | 1    | PLATE, MUFFLER         | PLACA DEL SILENCIADOR   |
| 9   | V804000030  | 1    | BOLT, TORX 4x8         | PERNO TORX 4x8          |



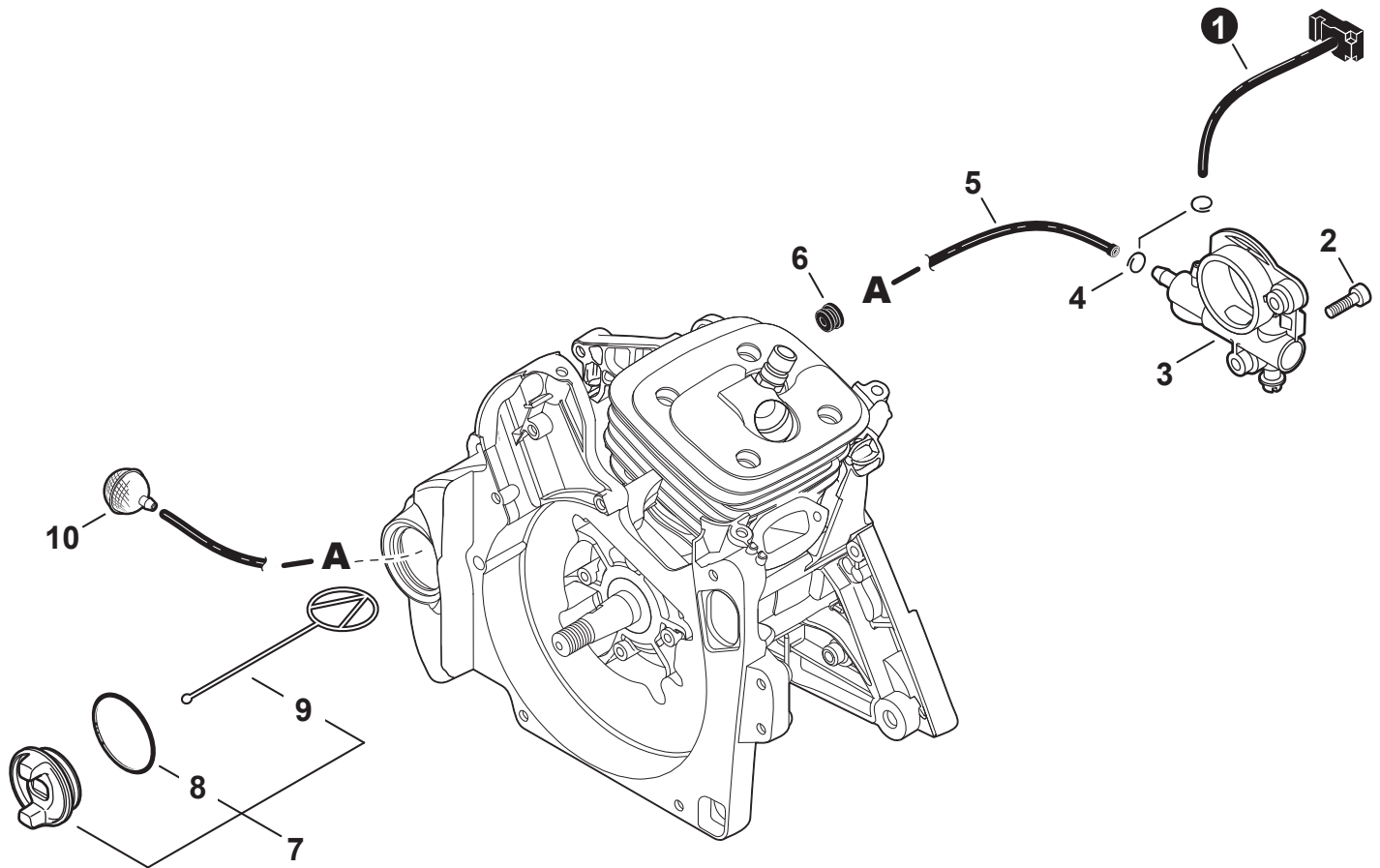
| NO. | PART NUMBER       | QTY. | DESCRIPTION                 | DESCRIPCIÓN                                 |
|-----|-------------------|------|-----------------------------|---|
| 1   | V150003800        | 1    | PLATE, EYE                  | PLACA                                       |
| 2   | V805000160        | 4    | BOLT, TORX 5x20             | PERNO TORX 5x20                             |
| 3   | <b>P200001010</b> | 1    | <b>STARTER ASSY, RECOIL</b> | <b>MONTAJE DE ARRANCADOR AUTORRETRÁCTIL</b> |
| 4   | A509000460        | 1    | +ROPE, STARTER 4x950        | +CUERDA DEL ARRANCADOR 4x950                |
| 5   | A511000300        | 1    | +GRIP, STARTER              | +AGARRE DEL ARRANCADOR                      |
| 6   | 17722035430       | 1    | +SPRING, RECOIL             | +RESORTE RECULAR                            |
| 7   | A503000032        | 1    | +PLATE, STARTER             | +PLACA DEL ARRANCADOR                       |
| 8   | V804000000        | 2    | +BOLT, TORX 4x12            | +PERNO TORX 4x12                            |
| 9   | A506000112        | 1    | +REEL, ROPE                 | +CARRETE DE CUERDA                          |
| 10  | 17721402830       | 1    | +WASHER 5.2x16x1.0          | +ARANDELA 5.2x16x1.0                        |
| 11  | V805000130        | 1    | +BOLT, TORX 5x10            | +PERNO TORX 5x10                            |
| 12  | A172000843        | 1    | +COVER, FAN                 | +CUBIERTA DE VENTILADOR                     |
| 13  | V835000000        | 2    | BOLT, TORX 5x16             | PERNO TORX 5x16                             |
| 14  | 90060300005       | 2    | WASHER 5.5x12x0.8           | ARANDELA 5.5x12x0.8                         |
| 15  | 17721819830       | 2    | PAWL, STARTER               | TRINQUETE                                   |
| 16  | 17724704630       | 2    | SPACER 5.2x8x2.1            | ESPACIADOR 5.2x8x2.1                        |
| 17  | 17723435430       | 2    | SPRING, TORSION             | RESORTE DE TORSIÓN                          |
| 18  | <b>P021045730</b> | 1    | <b>SHIELD KIT - SNOW</b>    | <b>KIT DE PROTECTOR DE NIEVE</b>            |
| 19  | V804000000        | 1    | +BOLT, TORX 4x12            | +PERNO TORX 4x12                            |



| NO. | PART NUMBER | QTY. | DESCRIPTION                  | DESCRIPCIÓN                       |
|-----|-------------|------|------------------------------|-----------------------------------|
| 1   | V475004130  | 1    | TUBE, IGNITION COIL 6x7.2x70 | TUBO BOBINA DE ENCENDIDO 6x7.2x70 |
| 2   | A426000010  | 1    | TERMINAL, SPARK PLUG         | TERMINAL DE BUJÍA                 |
| 3   | A427000013  | 1    | CAP, SPARK PLUG              | TAPA DE BUJÍA                     |
| 4   | A429000040  | 1    | SEAL, SPARK PLUG             | SELLO DE BUJÍA                    |
| 5   | 15901019830 | 1    | SPARK PLUG - BPM8Y           | BUJÍA - BPM8Y                     |
| 6   | 15611004920 | 1    | GROMMET                      | OJAL                              |
| 7   | V485001101  | 1    | LEAD - GROUND L= 170         | CABLE DE TIERRA L= 170            |
| 8   | A440001190  | 1    | SWITCH, ON-OFF               | INTERRUPTOR DE ENCENDIDO-APAGADO  |
| 9   | A472000091  | 1    | CAP, SWITCH                  | TAPA INTERRUPTOR                  |
| 10  | V485001091  | 1    | LEAD - IGNITION L= 280       | CABLE DE ENCENDIDO L= 280         |
| 11  | 15011404920 | 1    | GROMMET, LEAD                | OJAL DE CABLE CONDUCTOR           |
| 12  | 90051500008 | 1    | NUT, FLANGE M8               | TUERCA-BRIDA M8                   |
| 13  | A409000360  | 1    | FLYWHEEL                     | VOLANTE                           |
| 14  | 10014230830 | 1    | KEY, WOODRUFF                | CHAVETA WOODRUFF                  |
| 15  | V805000000  | 2    | BOLT, TORX 5x16              | PERNO TORX 5x16                   |
| 16  | A411001430  | 1    | COIL, IGNITION               | BOBINA DE ENCENDIDO               |

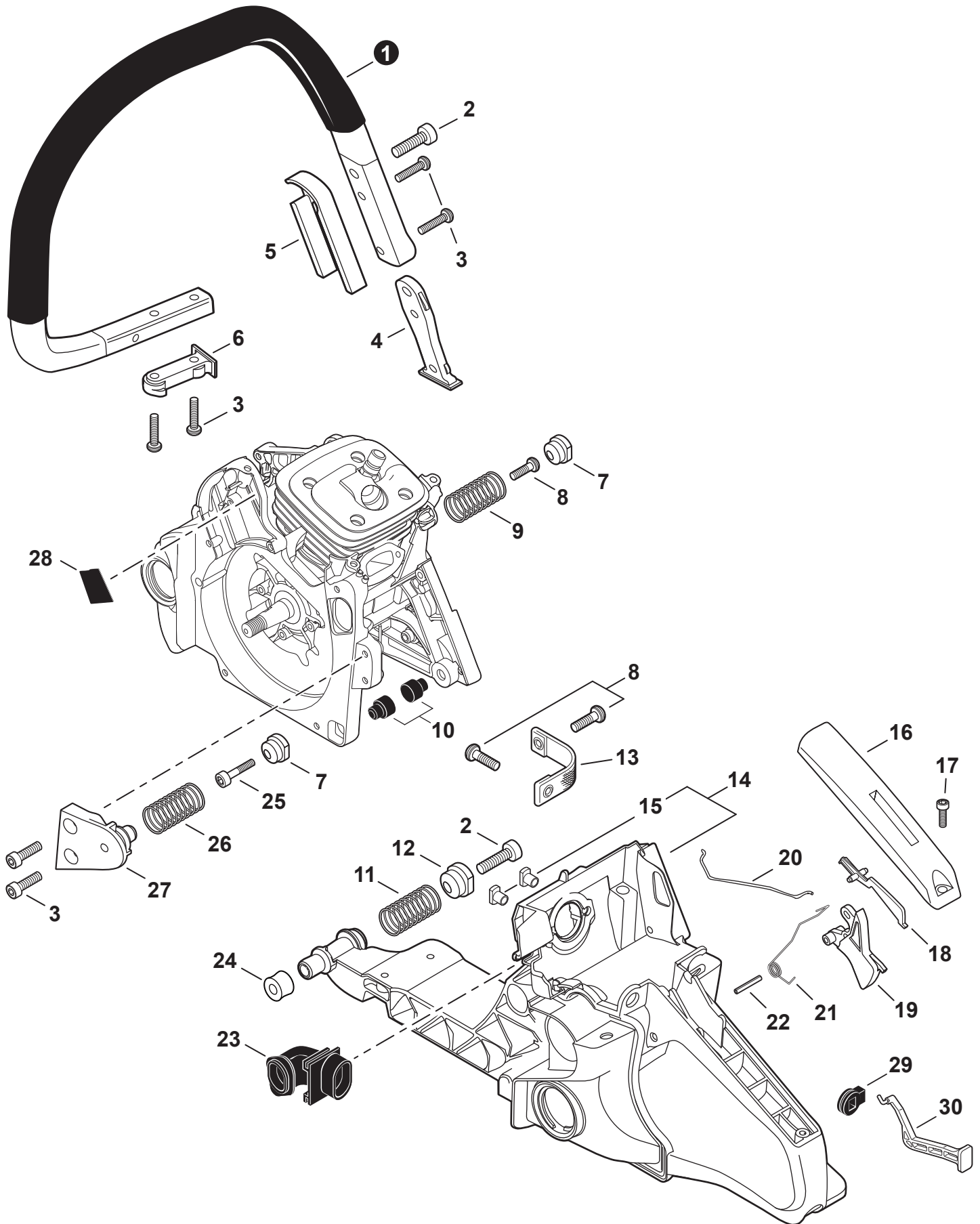


| NO. | PART NUMBER       | QTY. | DESCRIPTION              | DESCRIPCIÓN                           |
|-----|-------------------|------|--------------------------|---------------------------------------|
| 1   | 13011014530       | 1    | PIPE, FUEL 3x6x135L      | TUBO DE COMBUSTIBLE 3x6x135L          |
| 2   | V186000500        | 1    | CONNECTOR, PIPE          | CONECTOR DE TUBO                      |
| 3   | 13211501462       | 2    | GROMMET                  | OJAL                                  |
| 4   | V471000601        | 1    | PIPE, FUEL 3x5x120 BLACK | TUBO DE COMBUSTIBLE 3x5x120 NEGRO     |
| 5   | 13011030831       | 1    | PIPE, IMPULSE 3x6(8)x160 | TUBO DE IMPULSO 3x6(8)x160            |
| 6   | 13130056431       | 1    | VENT ASSY                | VÁLVULA DE RESPIRADERO                |
| 7   | A359000001        | 1    | GROMMET, VENT            | OJAL DE VÁLVULA                       |
| 8   | A413000190        | 1    | BOOT                     | BOTA                                  |
| 9   | V490001240        | 1    | CLIP 6                   | SUJETADOR 6                           |
| 10  | A369000460        | 1    | FILTER, FUEL             | FILTRO DE COMBUSTIBLE                 |
| 11  | <b>P100004891</b> | 1    | <b>CAP ASSY, FUEL</b>    | <b>MONTAJE DE TAPA DE COMBUSTIBLE</b> |
|     | V581000600        | 1    | +O-RING 29               | +JUNTA TÓRICA 29                      |
| 13  | A365000050        | 1    | +CONNECTOR, CAP L= 60 MM | +CONECTOR DE TAPA L= 60 MM            |



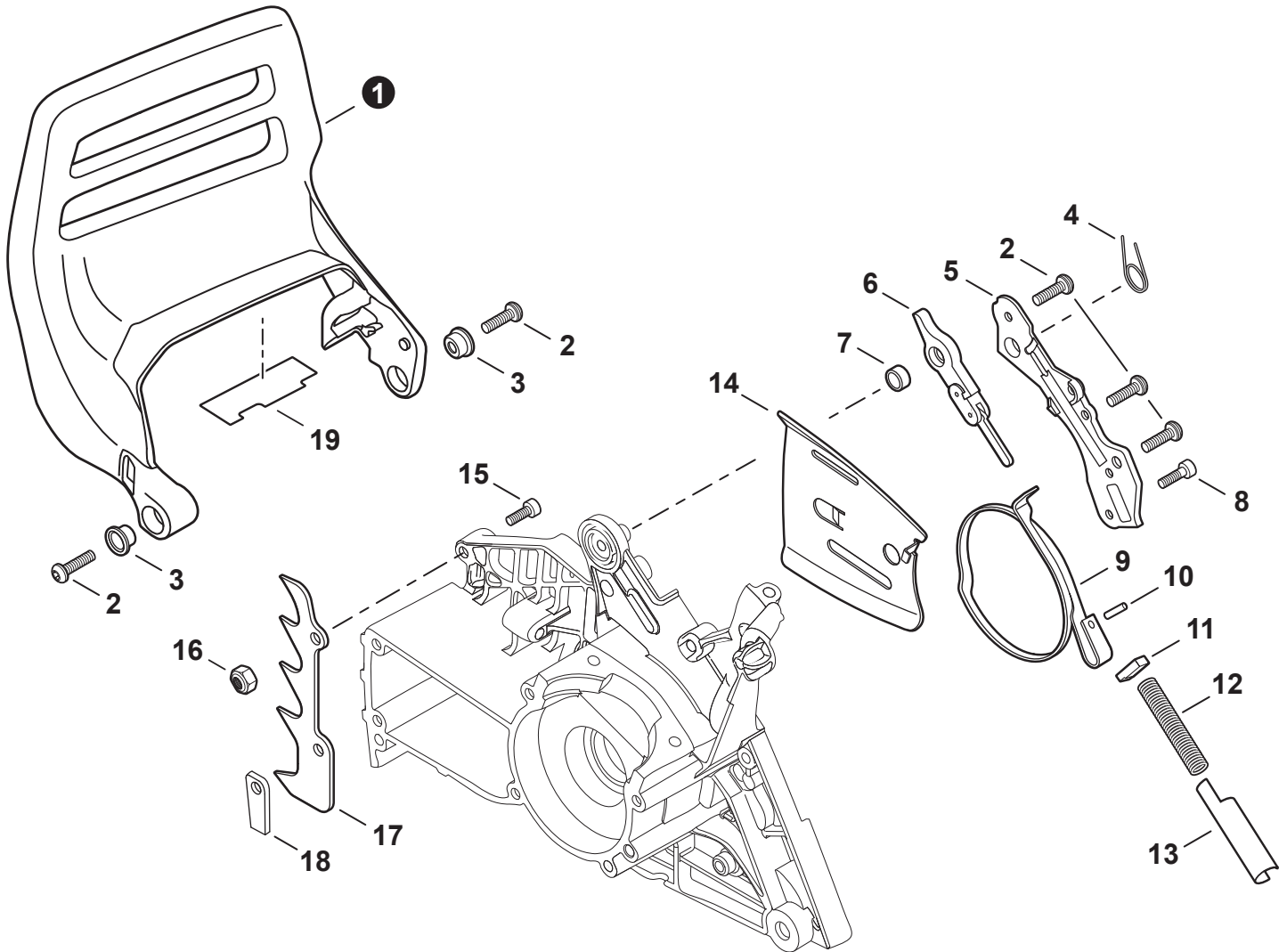
| NO. | PART NUMBER       | QTY. | DESCRIPTION              | DESCRIPCIÓN                       |
|-----|-------------------|------|--------------------------|-----------------------------------|
| 1   | V470000831        | 1    | PIPE, OIL                | TUBO DE ACEITE                    |
| 2   | V804000000        | 2    | BOLT, TORX 4x12          | PERNO TORX 4x12                   |
| 3   | C022000053        | 1    | AUTO-OILER ASSY          | MONTAJE DE ENGRASADOR AUTOMÁTICO  |
| 4   | V490001240        | 2    | CLIP 6                   | SUJETADOR 6                       |
| 5   | 43721030831       | 1    | PIPE, FUEL 3x6x210 BLACK | TUBO DE COMBUSTIBLE 3x6x210 NEGRO |
| 6   | 13211501462       | 1    | GROMMET                  | OJAL                              |
| 7   | <b>P100004881</b> | 1    | <b>CAP ASSY, OIL</b>     | <b>MONTAJE DE TAPA DE ACEITE</b>  |
| 8   | 90072020029       | 1    | +O-RING 29               | +JUNTA TÓRICA 29                  |
| 9   | A365000050        | 1    | +CONNECTOR, CAP L= 60 MM | +CONECTOR DE TAPA L= 60 MM        |
| 10  | 43620514730       | 1    | FILTER, OIL              | FILTRO DE ACEITE                  |



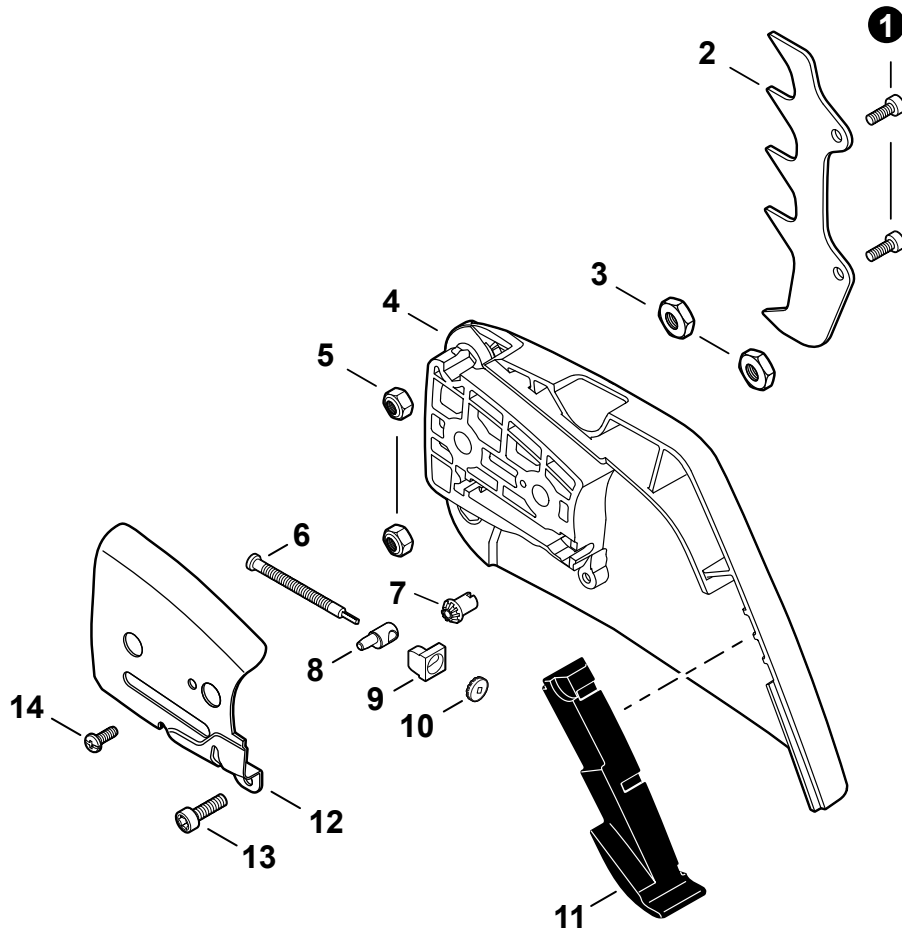




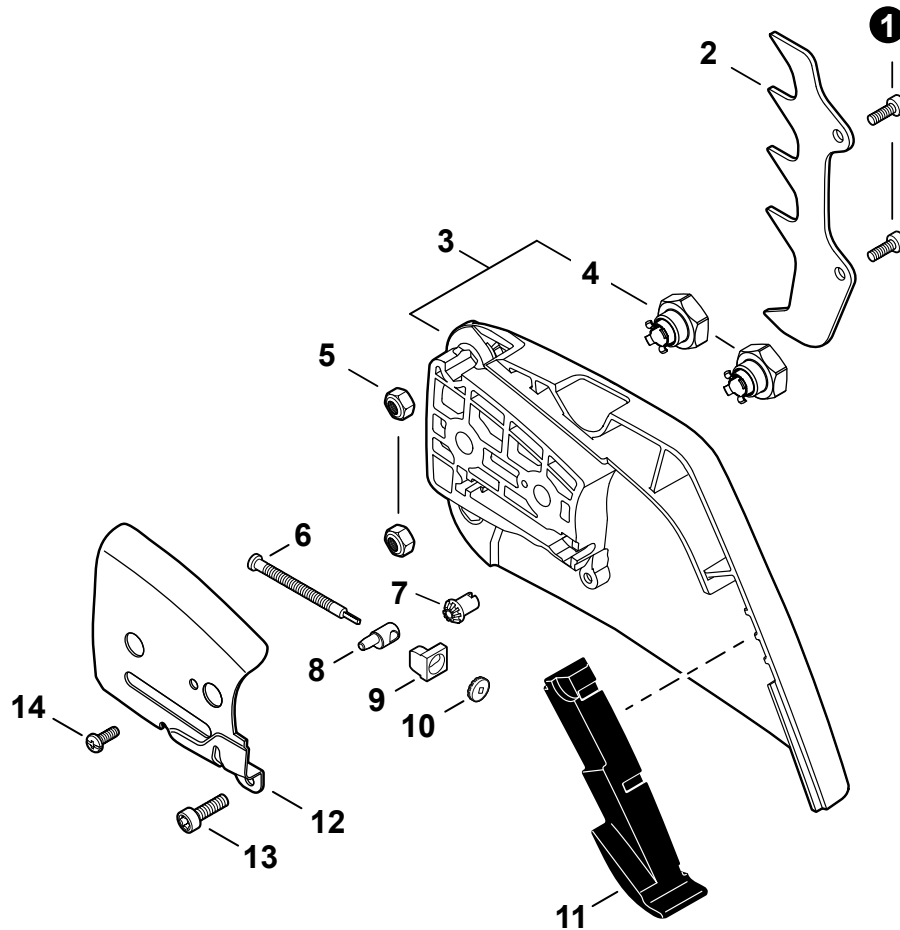
| NO.       | PART NUMBER       | QTY.     | DESCRIPTION                     | DESCRIPCIÓN                       |
|-----------|-------------------|----------|---------------------------------|-----------------------------------|
| 1         | C400001171        | 1        | HANDLE, FRONT                   | MANGO DELANTERO                   |
| 2         | V806000000        | 2        | BOLT, TORX 6x20                 | PERNO TORX 6x20                   |
| 3         | V805000010        | 6        | BOLT, TORX 5x20                 | PERNO TORX 5x20                   |
| 4         | C405000560        | 1        | MOUNT, HANDLE                   | SOPORTE DE MANGO                  |
| 5         | V456000280        | 1        | HOLDER, SPRING                  | RETENEDOR DE RESORTE              |
| 6         | C405000570        | 1        | MOUNT, HANDLE                   | SOPORTE DE MANGO                  |
| 7         | V456000080        | 2        | HOLDER, SPRING 14.4             | RETENEDOR DE RESORTE 14.4         |
| 8         | V805000000        | 3        | BOLT, TORX 5x16                 | PERNO TORX 5x16                   |
| 9         | V450000730        | 1        | SPRING, COMPRESSION 17x38.4x2.6 | RESORTE DE COMPRESIÓN 17x38.4x2.6 |
| 10        | V420003800        | 2        | CUSHION                         | AMORTIGUADOR                      |
| 11        | V450000771        | 1        | SPRING, COMPRESSION 20x40x3.3   | RESORTE DE COMPRESIÓN 20x40x3.3   |
| 12        | V456000101        | 1        | HOLDER, SPRING 17               | RETENEDOR DE RESORTE 17           |
| 13        | C617000362        | 1        | STRAP, SAFETY                   | CINTA DE SEGURIDAD                |
| <b>14</b> | <b>C410001252</b> | <b>1</b> | <b>HANDLE, REAR</b>             | <b>MANGO TRASERO</b>              |
| 15        | V263000450        | 2        | +NUT M5                         | +TUERCA M5                        |
| 16        | C411000001        | 1        | COVER, HANDLE                   | CUBIERTA DE MANGO                 |
| 17        | V804000000        | 1        | BOLT, TORX 4x12                 | PERNO TORX 4x12                   |
| 18        | 17809037930       | 1        | LEVER, THROTTLE LOCKOUT         | PALANCA SEGURO DEL ACELERADOR     |
| 19        | C450000360        | 1        | TRIGGER, THROTTLE               | GATILLO DEL ACELERADOR            |
| 20        | C454000170        | 1        | ROD, THROTTLE                   | VARILLA ACELERADOR                |
| 21        | V452000260        | 1        | SPRING, TORSION                 | RESORTE DE TORSIÓN                |
| 22        | 90034540025       | 1        | PIN, SPRING 4x25 SUS            | PASADOR ELÁSTICO 4x25 SUS         |
| 23        | A239000060        | 1        | PIPE, AIR INTAKE                | TUBO DE ADMISIÓN DE AIRE          |
| 24        | V404000210        | 1        | CUSHION 10                      | AMORTIGUADOR 10                   |
| 25        | V805000230        | 1        | BOLT, TORX 5x25                 | PERNO TORX 5x25                   |
| 26        | V450000760        | 1        | SPRING, COMPRESSION 17x36.7x2.6 | RESORTE DE COMPRESIÓN 17x36.7x2.6 |
| 27        | V456000090        | 1        | HOLDER, SPRING                  | RETENEDOR DE RESORTE              |
| 28        | V376001780        | 1        | CUSHION                         | AMORTIGUADOR                      |
| 29        | V130000030        | 1        | GROMMET, CHOKE                  | OJAL ESTRANGULADOR                |
| 30        | A241000172        | 1        | ROD, CHOKE                      | VARILLA ESTRANGULADOR             |



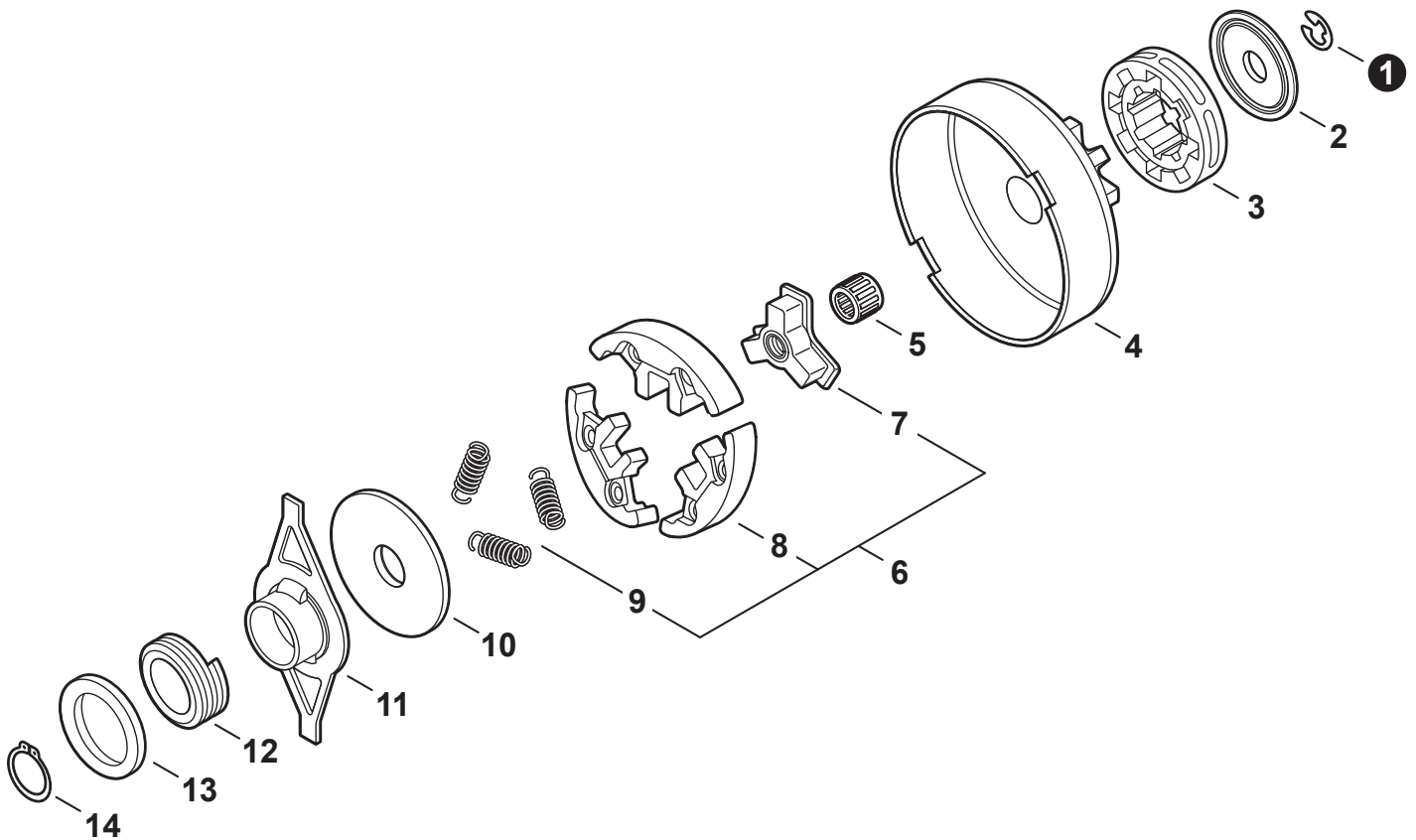
| NO. | PART NUMBER | QTY. | DESCRIPTION                 | DESCRIPCIÓN                   |
|-----|-------------|------|-----------------------------|-------------------------------|
| 1   | C320000182  | 1    | LEVER, BRAKE                | PALANCA DE FRENO              |
| 2   | V805000000  | 5    | BOLT, TORX 5x16             | PERNO TORX 5x16               |
| 3   | V356000440  | 2    | COLLAR 11.2x16.2xT0.6       | COLLAR 11.2x16.2xT0.6         |
| 4   | V452000400  | 1    | SPRING, TORSION             | RESORTE DE TORSIÓN            |
| 5   | C345000283  | 1    | COVER, BRAKE                | CUBIERTA DE FRENO             |
| 6   | C334000111  | 1    | CONNECTOR, BRAKE            | CONECTOR DE FRENO             |
| 7   | V356000470  | 1    | SPACER 12x10xT: 1.0         | ESPACIADOR 12x10xT: 1.0       |
| 8   | V804000000  | 1    | BOLT, TORX 4x12             | PERNO TORX 4x12               |
| 9   | C328000121  | 1    | BAND, BRAKE                 | BANDA DE FRENO                |
| 10  | 9305030098  | 1    | PIN, SPRING 3x9.8           | PASADOR ELÁSTICO 3x9.8        |
| 11  | V376000450  | 1    | GUIDE                       | GUÍA                          |
| 12  | V450000740  | 1    | SPRING, COMPRESSION 12x70.5 | RESORTE DE COMPRESIÓN 12x70.5 |
| 13  | C603000220  | 1    | PLATE, SIDE                 | PLACA LATERAL                 |
| 14  | C305000111  | 1    | PLATE, GUIDE - INNER        | PLACA GUÍA - INTERNA          |
| 15  | V805000250  | 2    | BOLT, TORX 5x16             | PERNO TORX 5x16               |
| 16  | 90056000005 | 1    | NUT, LOCK M5                | CONTRATUERCA M5               |
| 17  | C304000290  | 1    | SPIKE, BUMPER               | PARAGOLPES CON PÚAS           |
| 18  | V376001890  | 1    | SPACER                      | ESPACIADOR                    |
| 19  | V341000131  | 1    | SHIELD, HEAT 75x27x0.15     | PROTECTOR TÉRMICO 75x27x0.15  |



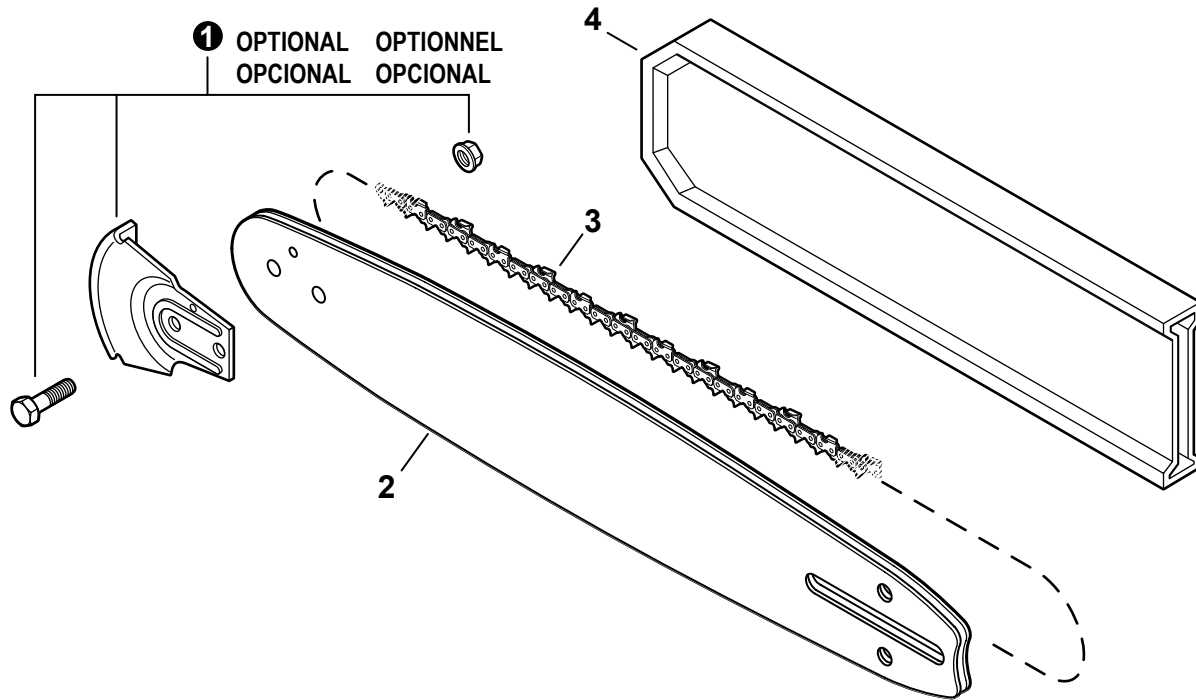
| NO. | PART NUMBER | QTY. | DESCRIPTION                | DESCRIPCIÓN                         |
|-----|-------------|------|----------------------------|-------------------------------------|
| 1   | V805000300  | 2    | BOLT, TORX 5x12            | PERNO TORX 5x12                     |
| 2   | C304000300  | 1    | SPIKE, BUMPER              | PARAGOLPES CON PÚAS                 |
| 3   | V265000250  | 2    | NUT 8                      | TUERCA 8                            |
| 4   | C300000991  | 1    | GUARD, SPROCKET            | CUBIERTA DEL PIÑÓN                  |
| 5   | 90056000005 | 2    | NUT, LOCK M5               | CONTRATUERCA M5                     |
| 6   | V203002140  | 1    | SCREW, CHAIN TENSION 63 MM | TORNILLO DEL TENSOR DE CADENA 63 MM |
| 7   | V651001040  | 1    | GEAR, BEVEL                | ENGRANAJE CÓNICO                    |
| 8   | C309000160  | 1    | TENSIONER, CHAIN           | TENSOR DE CADENA                    |
| 9   | V355000800  | 1    | COLLAR 8                   | COLLAR 8                            |
| 10  | V651001050  | 1    | GEAR, BEVEL                | ENGRANAJE CÓNICO                    |
| 11  | C302000011  | 1    | CUSHION                    | AMORTIGUADOR                        |
| 12  | C305000101  | 1    | PLATE, GUIDE - OUTER       | PLACA GUÍA - EXTERNO                |
| 13  | V804000000  | 1    | BOLT, TORX 4x12            | PERNO TORX 4x12                     |
| 14  | 9132503005  | 1    | SCREW 3x5                  | TORNILLO 3x5                        |



| NO. | PART NUMBER       | QTY. | DESCRIPTION                | DESCRIPCIÓN                         |
|-----|-------------------|------|----------------------------|-------------------------------------|
| 1   | V805000300        | 2    | BOLT, TORX 5x12            | PERNO TORX 5x12                     |
| 2   | C304000300        | 1    | SPIKE, BUMPER              | PARAGOLPES CON PÚAS                 |
| 3   | <b>C300001200</b> | 1    | <b>GUARD, SPROCKET</b>     | <b>CUBIERTA DEL PIÑÓN</b>           |
| 4   | V265000660        | 2    | +NUT 8                     | +TUERCA 8                           |
| 5   | 90056000005       | 2    | NUT, LOCK M5               | CONTRATUERCA M5                     |
| 6   | V203002140        | 1    | SCREW, CHAIN TENSION 63 MM | TORNILLO DEL TENSOR DE CADENA 63 MM |
| 7   | V651001040        | 1    | GEAR, BEVEL                | ENGRANAJE CÓNICO                    |
| 8   | C309000160        | 1    | TENSIONER, CHAIN           | TENSOR DE CADENA                    |
| 9   | V355000800        | 1    | COLLAR 8                   | COLLAR 8                            |
| 10  | V651001050        | 1    | GEAR, BEVEL                | ENGRANAJE CÓNICO                    |
| 11  | C302000011        | 1    | CUSHION                    | AMORTIGUADOR                        |
| 12  | C305000101        | 1    | PLATE, GUIDE - OUTER       | PLACA GUÍA - EXTERNO                |
| 13  | V804000000        | 1    | BOLT, TORX 4x12            | PERNO TORX 4x12                     |
| 14  | 9132503005        | 1    | SCREW 3x5                  | TORNILLO 3x5                        |



| NO. | PART NUMBER       | QTY. | DESCRIPTION             | DESCRIPCIÓN                               |
|-----|-------------------|------|-------------------------|---|
| 1   | V583000440        | 1    | E-RING 8.1              | RETENEDOR TIPO "E" 8.1                    |
| 2   | V307000520        | 1    | WASHER 10               | ARANDELA 10                               |
| 3   | 682100            | 1    | SPROCKET, RIM 3/8"x7T   | PIÑÓN CORONA 3/8"x7T                      |
| 4   | A556001610        | 1    | DRUM, CLUTCH            | TAMBOR DE EMBRAGUE                        |
| 5   | V555000010        | 1    | BEARING, NEEDLE 10      | COJINETE DE AGUJAS 10                     |
| 6   | <b>A056000221</b> | 1    | <b>CLUTCH ASSY</b>      | <b>MONTAJE DE EMBRAGUE</b>                |
| 7   | A552000110        | 1    | +HUB, CLUTCH            | +CUBO DEL EMBRAGUE                        |
| 8   | P021007051        | 1    | +CLUTCH SHOE SET (3PCS) | +JUEGO DE ZAPATA DE EMBRAGUE (CANTIDAD 3) |
| 9   | V451000500        | 3    | +SPRING, TENSION        | +RESORTE DE TENSIÓN                       |
| 10  | A551000110        | 1    | PLATE, CLUTCH           | PLACA DE EMBRAGUE                         |
| 11  | V358000090        | 1    | COLLAR 15x19x73         | COLLAR 15x19x73                           |
| 12  | V652000050        | 1    | GEAR, WORM              | ENGRANAJE DE TORNILLO SIN FIN             |
| 13  | V311000090        | 1    | WASHER 15.5x22.5x0.5    | ARANDELA 15.5x22.5x0.5                    |
| 14  | 90070100015       | 1    | RING, RETAINING 15      | ANILLO DE RETENCIÓN 15                    |

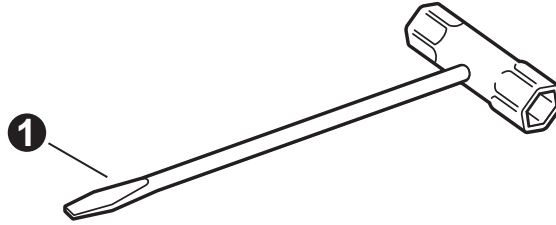


| NO. | PART NUMBER | QTY. | DESCRIPTION                              | DESCRIPCIÓN                                      |
|-----|-------------|------|--|--|
| 1   | 2893202     | 1    | KICK GUARD™ KIT                          | PROTECTORAS DE PUNTA DE BARRA                    |
| 2   | 16D0PS3860C | 1    | GUIDE BAR, 16"                           | BARRA DE GUÍA 40 CM                              |
| 2   | 18D0PS3866C | 1    | GUIDE BAR, 18"                           | BARRA DE GUÍA 45 CM                              |
| 2   | 20D0PS3870C | 1    | GUIDE BAR, 20"                           | BARRA DE GUÍA 50 CM                              |
| 2   | 24D0PS3881C | 1    | GUIDE BAR, 24"                           | BARRA DE GUÍA 60 CM                              |
| 2   | 27D0PS3893C | 1    | GUIDE BAR, 27"                           | BARRA DE GUÍA 69 CM                              |
| 3   | 72LPX60CQ   | 1    | SAW CHAIN - 16"                          | CADENA DE SIERRA 40 CM                           |
| 3   | 72LPX66CQ   | 1    | SAW CHAIN - 18"                          | CADENA DE SIERRA 45 CM                           |
| 3   | 72LPX70CQ   | 1    | SAW CHAIN - 20"                          | CADENA DE SIERRA 50 CM                           |
| 3   | 72LPX81CQ   | 1    | SAW CHAIN - 24"                          | CADENA DE SIERRA 60 CM                           |
| 3   | 72LPX93CQ   | 1    | SAW CHAIN - 28", 0.050 GAUGE, 3/8" PITCH | CADENA DE SIERRA 70 CM, CALIBRE 0.050, PASO 3/8" |
| 4   | X490000750  | 1    | SCABBARD 16"                             | FUNDA 40 CM                                      |
| 4   | X490000760  | 1    | SCABBARD 18"                             | FUNDA 45 CM                                      |
| 4   | X490000770  | 1    | SCABBARD 20"                             | FUNDA 50 CM                                      |
| 4   | X490000780  | 1    | SCABBARD 24"                             | FUNDA 60 CM                                      |



⚠ O uso inadequado pode causar acidentes graves e danos saúde.  
 ⚠ El uso inadecuado puede causar accidentes graves y/o danos a la salud.  
 ⚠ Improper use can cause serious accidents and/or injuries.

| NO. | PART NUMBER | QTY. | DESCRIPTION            | DESCRIPCIÓN             |
|-----|-------------|------|------------------------|-------------------------|
| 1   | X503012230  | 1    | LABEL - MODEL CS-620P  | ETIQUETA MODELO CS-620P |
| 2   | X502000340  | 1    | LABEL - ECHO           | ETIQUETA ECHO           |
| 3   | 89034539231 | 1    | LABEL - CAUTION        | ETIQUETA DE PRECAUCIÓN  |
| 4   | X505006940  | 1    | LABEL - CAUTION        | ETIQUETA DE PRECAUCIÓN  |
| 5   | 89015739131 | 1    | LABEL - STOP           | ETIQUETA - PARADA       |
| 6   | X502000900  | 1    | LABEL - RECOIL STARTER | ETIQUETA ARRANCADOR     |



| NO. | PART NUMBER | QTY. | DESCRIPTION           | DESCRIPCIÓN             |
|-----|-------------|------|-----------------------|-------------------------|
| 1   | X602000080  | 1    | T-WRENCH 13x19 L= 180 | LLAVE EN T 13x19 L= 180 |

### Bulk Pipe

Tubo al por mayor

| NO. | PART NUMBER | QTY. | DESCRIPTION                             | DESCRIPCIÓN  |
|-----|-------------|------|---|--|
| 1   | 90014       | 1    | BULK PIPE - 3x5 MM BLACK (4 PIECESx2 M) | TUBO AL POR MAYOR 3x5 MM NEGRO (4 PIEZASx2 M)        |
| 2   | 90015       | 1    | BULK PIPE - 3x6 MM BLACK (4 PIECESx2 M) | TUBO AL POR MAYOR 3x6 MM NEGRO (4 PIEZASx2 M)        |
| 3   | 90016       | 1    | BULK PIPE - 3x7 MM BLACK (4 PIECESx2 M) | TUBO AL POR MAYOR 3x7 MM NEGRO (4 PIEZASx2 M)        |
| 4   | 90017       | 1    | BULK PIPE - 3x6 MM CLEAR (4 PIECESx2 M) | TUBO AL POR MAYOR 3x6 MM TRANSPARENTE (4 PIEZASx2 M) |
| 5   | 90018       | 1    | BULK PIPE - 2x4 MM CLEAR (4 PIECESx2 M) | TUBO AL POR MAYOR 2x4 MM TRANSPARENTE (4 PIEZASx2 M) |

### Bulk Starter Rope

Cuerda del arrancador al por mayor

| NO. | PART NUMBER | QTY. | DESCRIPTION                     | DESCRIPCIÓN                                    |
|-----|-------------|------|---------------------------------|--|
| 1   | 99944435000 | 1    | BULK STARTER ROPE - 2.3 MMx61 M | CUERDA DEL ARRANCADOR AL POR MAYOR 2.3 MMx61 M |
| 2   | 99944440000 | 1    | BULK STARTER ROPE - 3.0 MMx61 M | CUERDA DEL ARRANCADOR AL POR MAYOR 3.0 MMx61 M |
| 3   | 99944445000 | 1    | BULK STARTER ROPE - 3.5 MMx61 M | CUERDA DEL ARRANCADOR AL POR MAYOR 3.5 MMx61 M |
| 4   | 99944450000 | 1    | BULK STARTER ROPE - 4.0 MMx61 M | CUERDA DEL ARRANCADOR AL POR MAYOR 4.0 MMx61 M |
| 5   | 99944455000 | 1    | BULK STARTER ROPE - 4.4 MMx61 M | CUERDA DEL ARRANCADOR AL POR MAYOR 4.4 MMx61 M |
| 6   | 99944460000 | 1    | BULK STARTER ROPE - 4.8 MMx61 M | CUERDA DEL ARRANCADOR AL POR MAYOR 4.8 MMx61 M |