

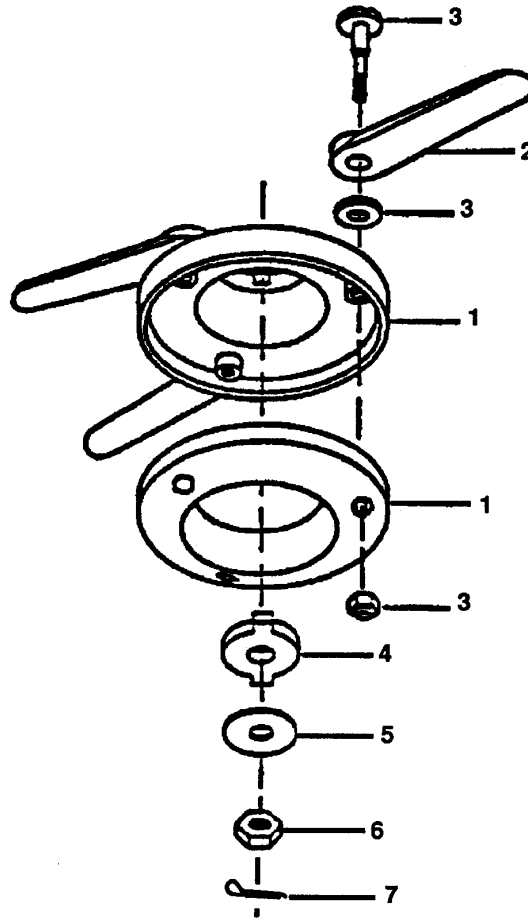


PRO MAXI-CUT

PART NUMBER: 215211

***WEED BUTCHER II**

PART NUMBER: 215200



KEY	PART NUMBER	DESCRIPTION	MODELS USED ON
1	N/A	Body, Head (use 215200)	SRM-202DA SRM-2400/2410/2400SB
1	N/A	Body, Head (use 215211)	SRM-202F SRM-2450
2	215112	Blade Set (3) (215200 & 215211)	SRM-202FA SRM-2500
3	215113	Blade Fastener Set (3) (215200 & 215211)	SRM-230 SRM-2501/2510
4	N/A	Adaptors (4)	SRM-250E SRM-2501S
5	215103	Mounting Washer (215200 & 215211)	SRM-260 SRM-2601
6	90051100010	Mounting Nut (215211)	SRM-260S SRM-3000
7	90030020022	Cotter Pin (215211)	SRM-300AE SRM-3001
			SRM-300AE/1 SRM-3010
			SRM-300E SRM-3100/3110/3100S
			SRM-300E/1 SRM-3400
			SRM-400AE SRM-3800
			SRM-400BE SRM-4600
			SRM-200 SRM-400E
			SRM-200AE SRM-1500
			SRM-200BE SRM-1500A
			SRM.200CE SRM-1501
			SRM-200D SRM-2100/2110/2100SB
			SRM.200DA SRM-2200
			SRM-200DB SRM-2201
			SRM-201F SRM-2300
			SRM-201FA SRM-2301
			SRM.202D SRM-2310