



Accessories for ECHO products can be found at:  
*Los accesorios para los productos ECHO se pueden encontrar en:*  
<http://www.echo-usa.com/Products/Accessories>

**Fits all PPF models.**  
**Se adapta a todos los modelos PPF.**

**PARTS CATALOG**  
**LISTA DE PIEZAS**

**99946400010**

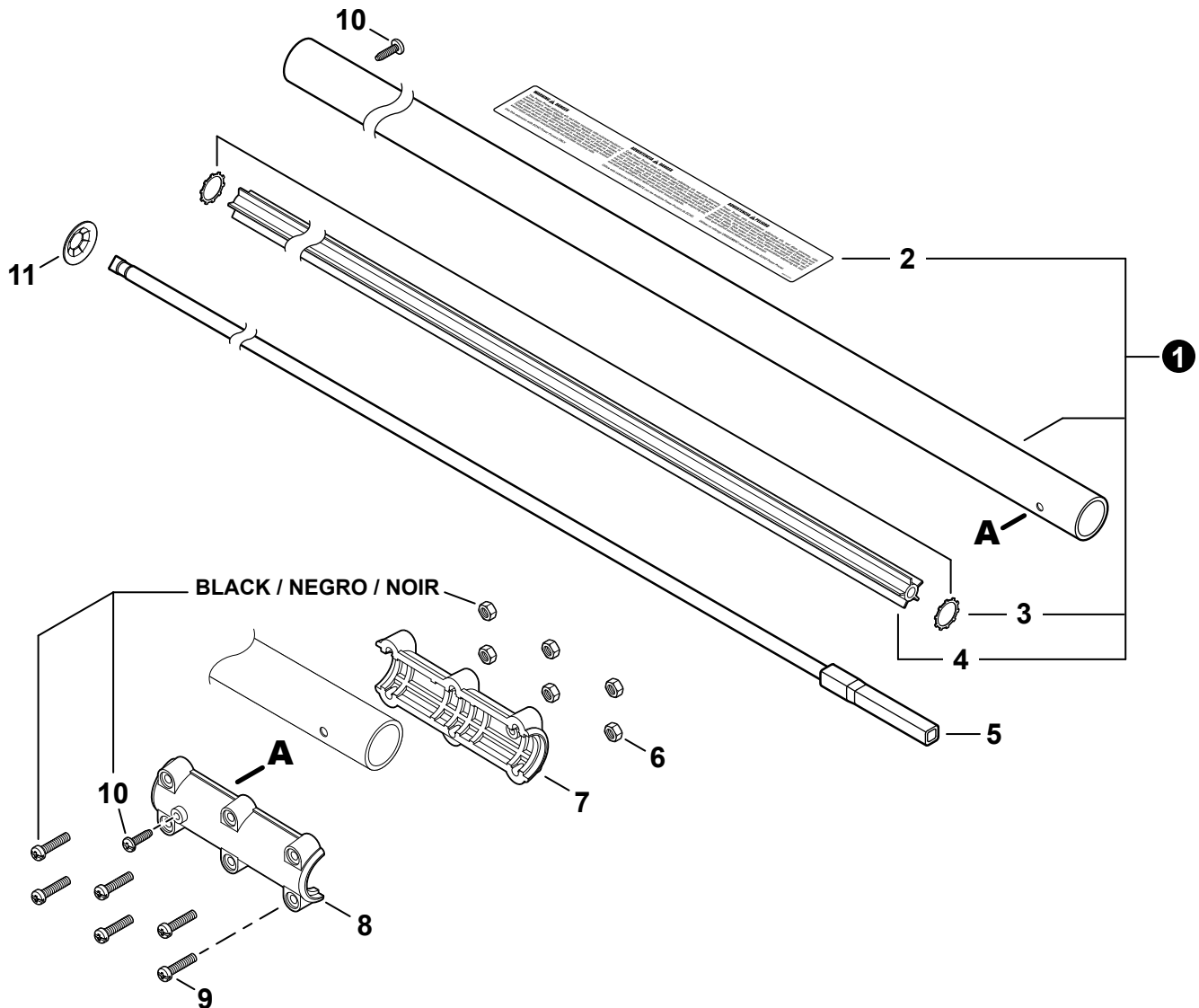
**3' Extension for Fixed Pruner**  
**Extensión de 3' para podadora de altura de eje fijo**



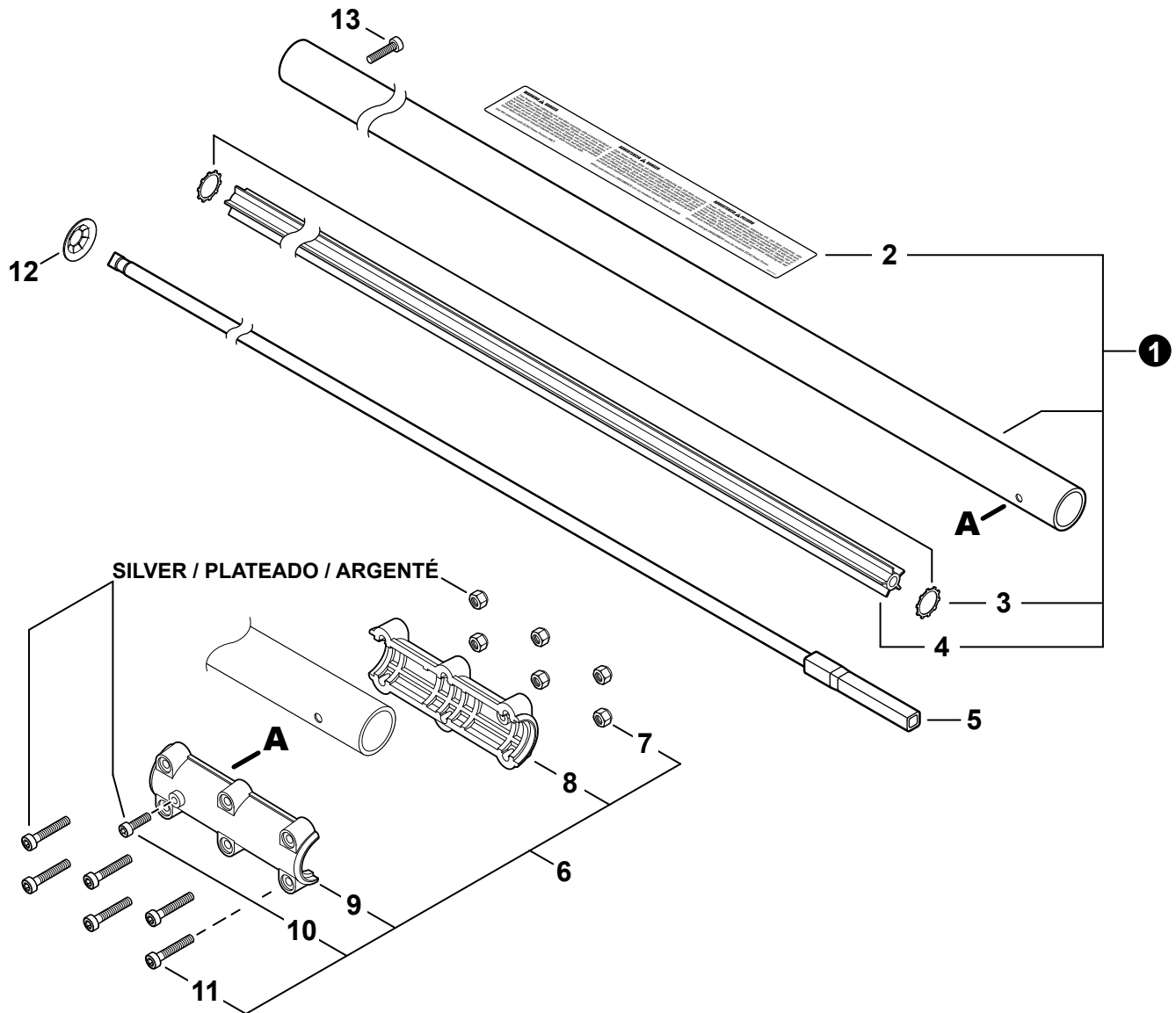
**ECHO, INCORPORATED**  
400 Oakwood Road, Lake Zurich, Illinois 60047  
[WWW.ECHO-USA.COM](http://WWW.ECHO-USA.COM)

**Before change**..... **3**  
Antes del cambio

**After change**..... **4**  
Después del cambio



| NO. | PART NUMBER | QTY. | DESCRIPTION                   | DESCRIPCIÓN                              |
|-----|-------------|------|-------------------------------|--|
| 1   | C050001270  | 1    | MAIN PIPE ASSY                | MONTAJE DE TUBO PRINCIPAL                |
| 2   | 89007522761 | 1    | +LABEL, CAUTION               | +ETIQUETA DE PRECAUCIÓN                  |
| 3   | 90003800100 | 2    | +WASHER                       | +ARANDELA                                |
| 4   | 61021724660 | 1    | +LINER - FLEXIBLE             | +FORRO - FLEXIBLE                        |
| 5   | 61000622661 | 1    | DRIVESHAFT                    | EJE DE TRANSMISIÓN                       |
| 6   | 90003150100 | 6    | NUT, LOCK 10-24 UNC           | CONTRATUERCA 10-24 UNC                   |
| 7   | 61028222061 | 1    | COLLAR, MAIN PIPE - NUT SIDE  | ESPACIADOR, TUBO PRINCIPAL - LADO TUERCA |
| 8   | 61028222661 | 1    | COLLAR, MAIN PIPE - BOLT SIDE | ESPACIADOR, TUBO PRINCIPAL - LADO PERNO  |
| 9   | 90005300400 | 6    | SCREW, TORX 10-24 UNC 1-1/4   | TORNILLO TORX 10-24 UNC 1-1/4            |
| 10  | 90025305010 | 2    | SCREW 5x10                    | TORNILLO 5x10                            |
| 11  | V583000030  | 1    | RING, RETAINING               | ANILLO DE RETENCIÓN                      |



| NO. | PART NUMBER | QTY. | DESCRIPTION                    | DESCRIPCIÓN                               |
|-----|-------------|------|--------------------------------|---|
| 1   | C050001270  | 1    | MAIN PIPE ASSY                 | MONTAJE DE TUBO PRINCIPAL                 |
| 2   | 89007522761 | 1    | +LABEL, CAUTION                | +ETIQUETA DE PRECAUCIÓN                   |
| 3   | 90003800100 | 2    | +WASHER                        | +ARANDELA                                 |
| 4   | 61021724660 | 1    | +LINER - FLEXIBLE              | +FORRO - FLEXIBLE                         |
| 5   | 61000622661 | 1    | DRIVESHAFT                     | EJE DE TRANSMISIÓN                        |
| 6   | P021052400  | 1    | COUPLER KIT                    | JUEGO DE UNIÓN                            |
| 7   | 90056250005 | 6    | +NUT, LOCK M5                  | +CONTRATUERCA M5                          |
| 8   | 61028222062 | 1    | +COLLAR, MAIN PIPE - NUT SIDE  | +ESPACIADOR, TUBO PRINCIPAL - LADO TUERCA |
| 9   | 61028222662 | 1    | +COLLAR, MAIN PIPE - BOLT SIDE | +ESPACIADOR, TUBO PRINCIPAL - LADO PERNO  |
| 10  | V805000240  | 1    | +BOLT, TORX 5×12               | +PERNO TORX 5×12                          |
| 11  | V805000050  | 6    | +BOLT, TORX 5×30               | +PERNO TORX 5×30                          |
| 12  | V583000030  | 1    | RING, RETAINING                | ANILLO DE RETENCIÓN                       |
| 13  | V805000240  | 1    | BOLT, TORX 5×12                | PERNO TORX 5×12                           |