



Accessories for ECHO products can be found at:
Los accesorios para los productos ECHO se pueden encontrar en:
<http://www.echo-usa.com/Products/Accessories>

PARTS CATALOG
LISTA DE PIEZAS

MS-4010BP
4 Gallon Backpack
Manual Sprayer

MS-4010BP Rociador manual de mochila de 4 galones



SERIAL NUMBER
NÚMERO DE SERIE

501MS0000001 - 501MS0999999

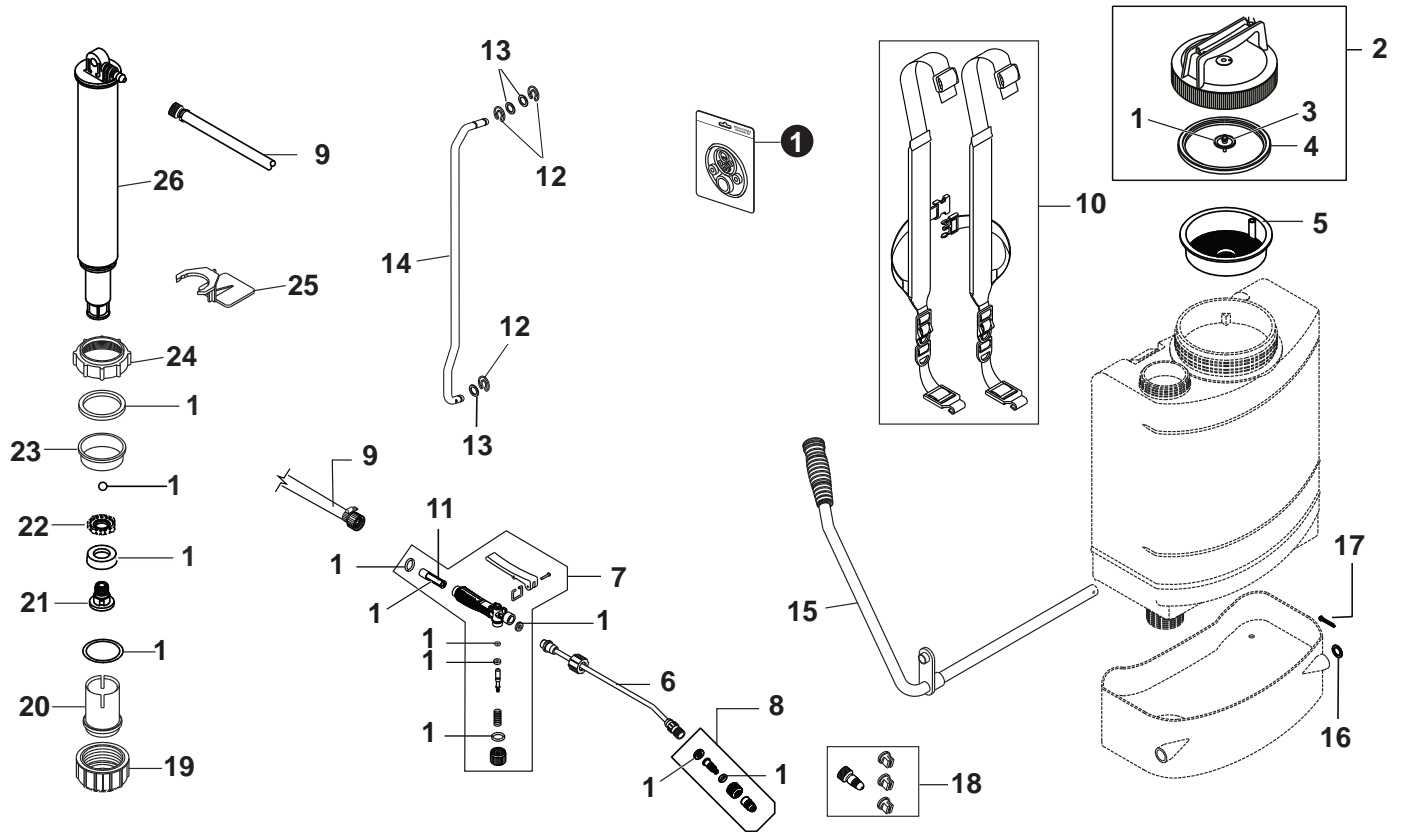
ECHO Incorporated

400 Oakwood Road, Lake Zurich, Illinois 60047

WWW.ECHO-USA.COM

©2024 ECHO Incorporated. All Rights Reserved

P/N 99922205743
REVISED 04/11/24



| NO. | PART NUMBER | QTY. | DESCRIPTION | DESCRIPCIÓN |
|-----|-------------|------|------------------------------|------------------------------------|
| 1 | YH468001690 | 1 | KIT,SEAL REPAIR | KIT, REPARACION DE JUNTAS |
| 2 | YH479002310 | 1 | ORANGE TANK LID | TAPA DEPÓSITO NARANJA |
| 3 | YH468001850 | 1 | +VALVE,CHECK | +CHEQUEO DE LAS VALVULAS |
| 4 | YH468001860 | 1 | +SEAL,TANK CAP | +SELLO, TAPA DE TANQUE |
| 5 | YH465000270 | 1 | STRAINER | COLADOR |
| 6 | YH467000690 | 1 | WAND,SPRAY LANCE | VARITA, LANZA SPRAY |
| 7 | YH467000700 | 1 | TRIGGER ASSEMBLY,ORANGE | CONJUNTO DE GATILLO, NARANJA |
| 8 | YH483000180 | 1 | NOZZLE BODY ASS'Y | CONJUNTO DEL CUERPO DE LA BOQUILLA |
| 9 | YH467000790 | 1 | ASSY,HOSE | CONJUNTO, MANGUERA |
| 10 | YH750000010 | 1 | CARRYING STRAPS | CORREAS DE TRANSPORTE |
| 11 | YH465000280 | 1 | FILTER | FILTRAR |
| 12 | YH466000480 | 3 | LOCKING PIN | PIN DE SEGURIDAD |
| 13 | YH451000500 | 3 | WASHER | LAVADORA |
| 14 | YH466000760 | 1 | ROD,PUMP | VARILLA, BOMBA |
| 15 | YH466000750 | 1 | HANDLE,PUMP | MANIJA, BOMBA |
| 16 | YH451000510 | 1 | WASHER | LAVADORA |
| 17 | YH466000490 | 1 | LOCKING PIN | PIN DE SEGURIDAD |
| 18 | YH483000190 | 1 | ADJUSTABLE NOZZLE AND 3 TIPS | BOQUILLA REGULABLE Y 3 PUNTAS |
| 19 | YH468001960 | 1 | CAP,HOLDING | TAPA, SUJECIÓN |
| 20 | YH466001980 | 1 | CYLINDER | CILINDRO |
| 21 | YH466001970 | 1 | FITTING,PISTON | ACCESORIO, PISTÓN |
| 22 | YH466001960 | 1 | DISC,PISTON | DISCO,PISTÓN |
| 23 | YH468001950 | 1 | GUIDE,BUSHING | GUÍA BUJE |
| 24 | YH468001870 | 1 | NUT,ORANGE PUMP HOLDER | TUERCA,SOPORTE BOMBA NARANJA |
| 25 | YH470001140 | 1 | AGITATOR | AGITADOR |
| 26 | YH487000010 | 1 | TUBE,PUMP | TUBO, BOMBA |