

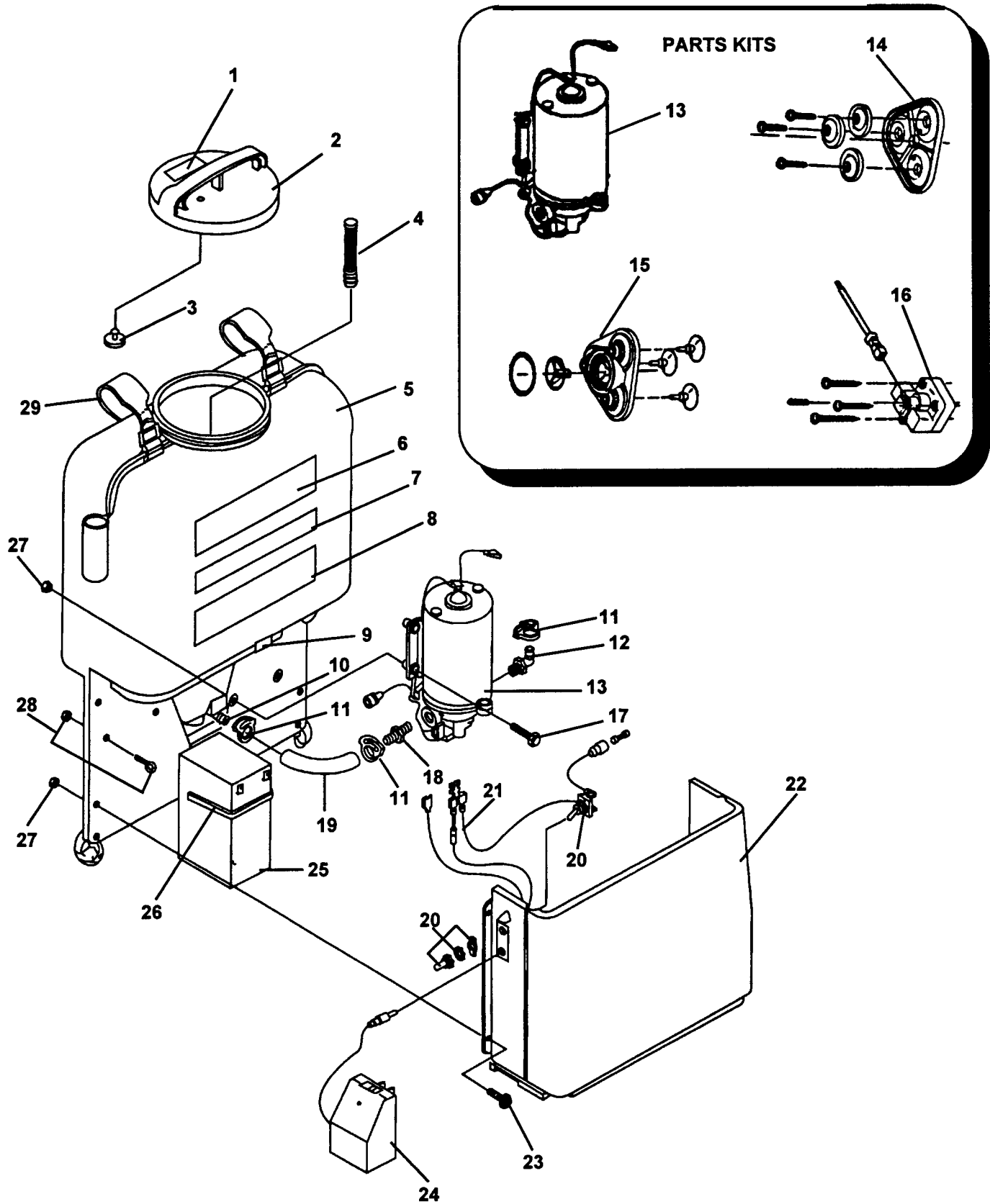


**ELECTRIC BATTERY
(BACKPACK)
SPRAYER
PARTS CATALOG
MODEL DSHR-1000
SERIAL NUMBER 001001 & UP**

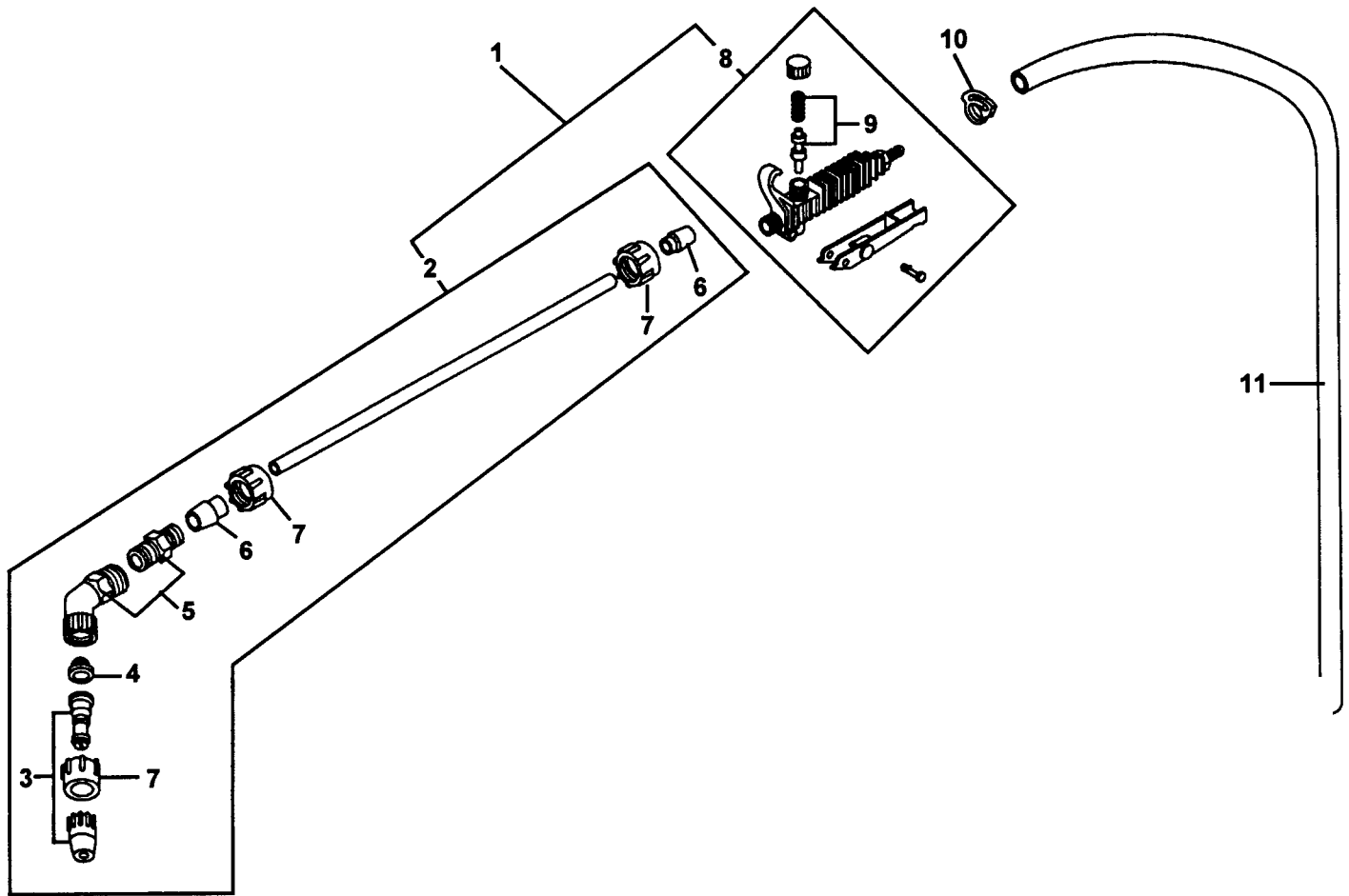
**ECHO, INCORPORATED
400 OAKWOOD ROAD
LAKE ZURICH, IL 60047**

**99922202789
07/96**

DSHR-1000 TANK, COVER, BATTERY, CHARGER, PUMP, SWITCH, HARNESS



KEY	PART NUMBER	QTY	DESCRIPTION	REMARKS
1	4310013	1	DECAL, LID WARNING	
2	4310030	1	CAP	
3	4020308	1	VALVE, CHECK	
4	4310011	1	FILTER, TANK	
5	4310010	1	TANK	
6	4310014	1	DECAL, ECHO	
7	4310015	1	DECAL, MODEL & SERIAL NUMBER	
8	4310016	1	DECAL, LARGE WARNING	
9	4310017	1	DECAL, BATTERY WARNING	
10	4310012	1	BARB FITTING, TANK 90°	
11	4310130	3	CLAMP, HOSE	
12	4310120	1	FITTING, BARB 90° X 3/8 NPT	
13	4341236	1	PUMP, 12 VOLT	
14	4339506	1	DIAPHRAGM KIT	
15	4339505	1	VALVE KIT	
16	4337505	1	PRESSURE SWITCH KIT	
17	4310140	2	BOLTS, #8X1-1/4	
18	4310200	1	FITTING, 3/8 NPT	
19	4310100	1	HOSE, 3/8 I.D. PUMP TO TANK	
20	4310060	1	SWITCH, W/NEOPRENE BOOT	
21	4310070	1	WIRING HARNESS	
22	4310020	1	COVER	
23	4310180	4	BOLTS, COVER #8X1/2	
24	211211451	1	BATTERY CHARGER, 12 V	
25	211127000	1	BATTERY, 12V DC	
26	4310170	1	STRAP, BATTERY	
27	4310190	6	NUTS, COVER #8	
28	4310160	2	EYEBOLT & NUT, BATTERY TIE DOWN	
29	4310050	1	HARNESS ASY	



KEY	PART NUMBER	QTY	DESCRIPTION	REMARKS
1	4310080	1	SPRAY GUN ASY (COMPLETE)	INCLUDES ITEM 2 & 8
2	4310082	1	WAND ASY	INCLUDES ITEMS 2 - 7
3	4310085	1	ADJUSTABLE SPRAY TIP ASY	
4	4310084	1	FILTER	
5	4310083	1	FITTING, 45°	
6	4310087	2	SEAL, FERREL	
7	4310088	3	NUT, FERREL	
8	4310081	1	TRIGGER ASY, SPRAY	INCLUDES ITEM 9
9	4310086	1	VALVE KIT, TRIGGER ASY	
10	4310130	1	CLAMP, HOSE	
11	4310090	1	HOSE, 3/8 I.D. X 48"	