



Accessories for ECHO products can be found at:  
*Los accesorios para los productos ECHO se pueden encontrar en:*  
<http://www.echo-usa.com/Products/Accessories>



**PARTS CATALOG**  
**LISTA DE PIEZAS**

**DHCS-2800**  
**Hedge Trimmer**  
DHCS-2800 Cortaseto



**56V Battery**

**SERIAL NUMBER**  
NÚMERO DE SERIE

**E81200001001 - E81200999999**

**ECHO Incorporated**

400 Oakwood Road, Lake Zurich, Illinois 60047

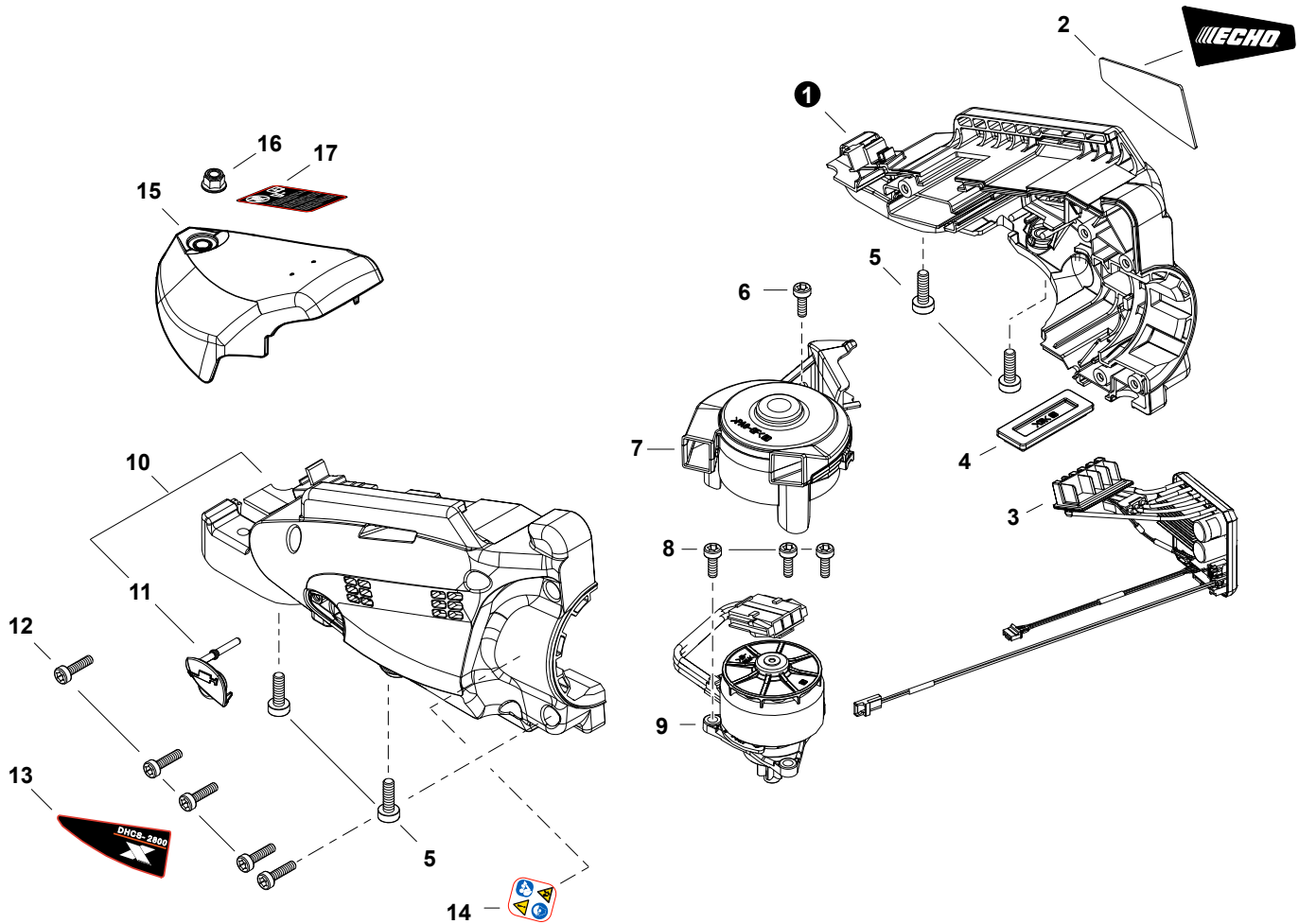
[WWW.ECHO-USA.COM](http://WWW.ECHO-USA.COM)

©2023 ECHO Incorporated. All Rights Reserved

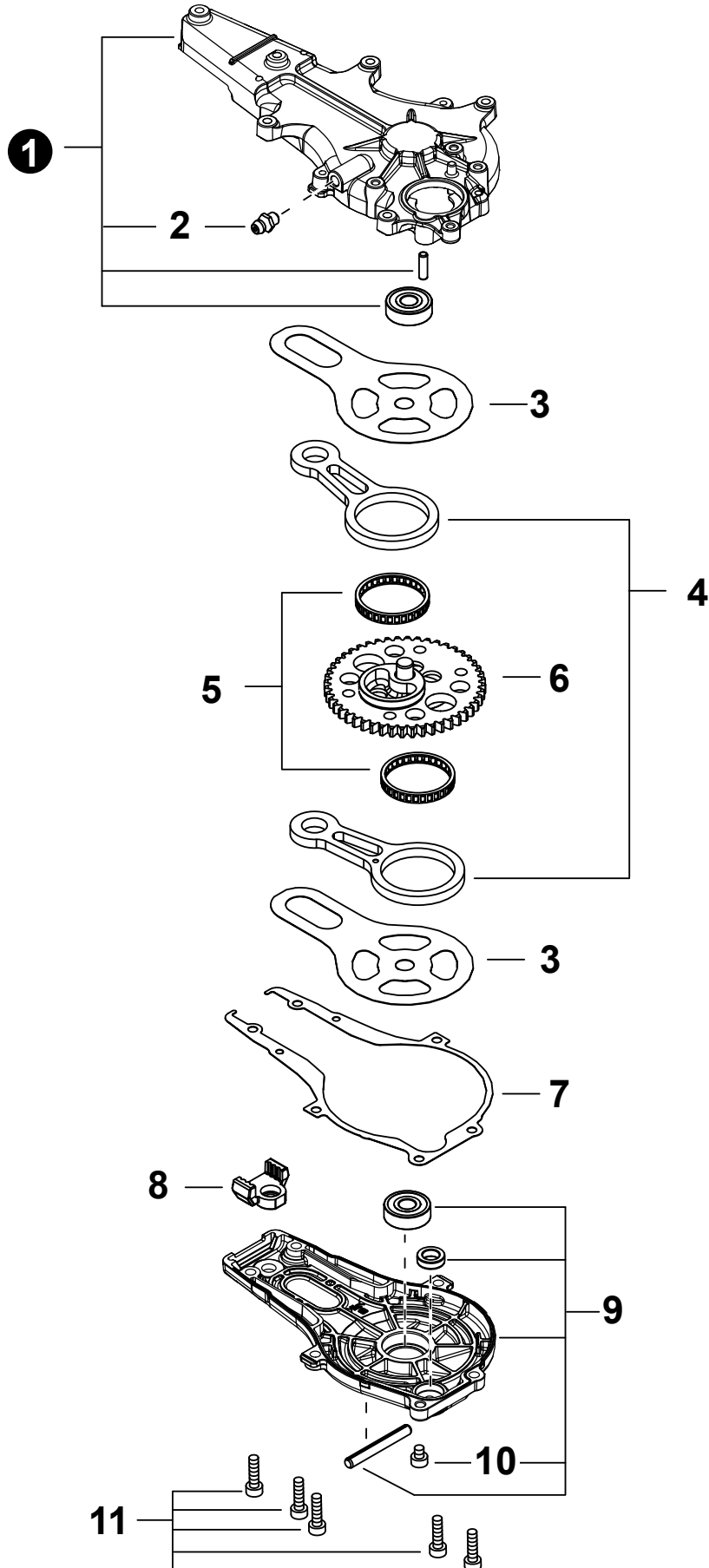
P/N 99922238132  
REVISED 09/23/23

---

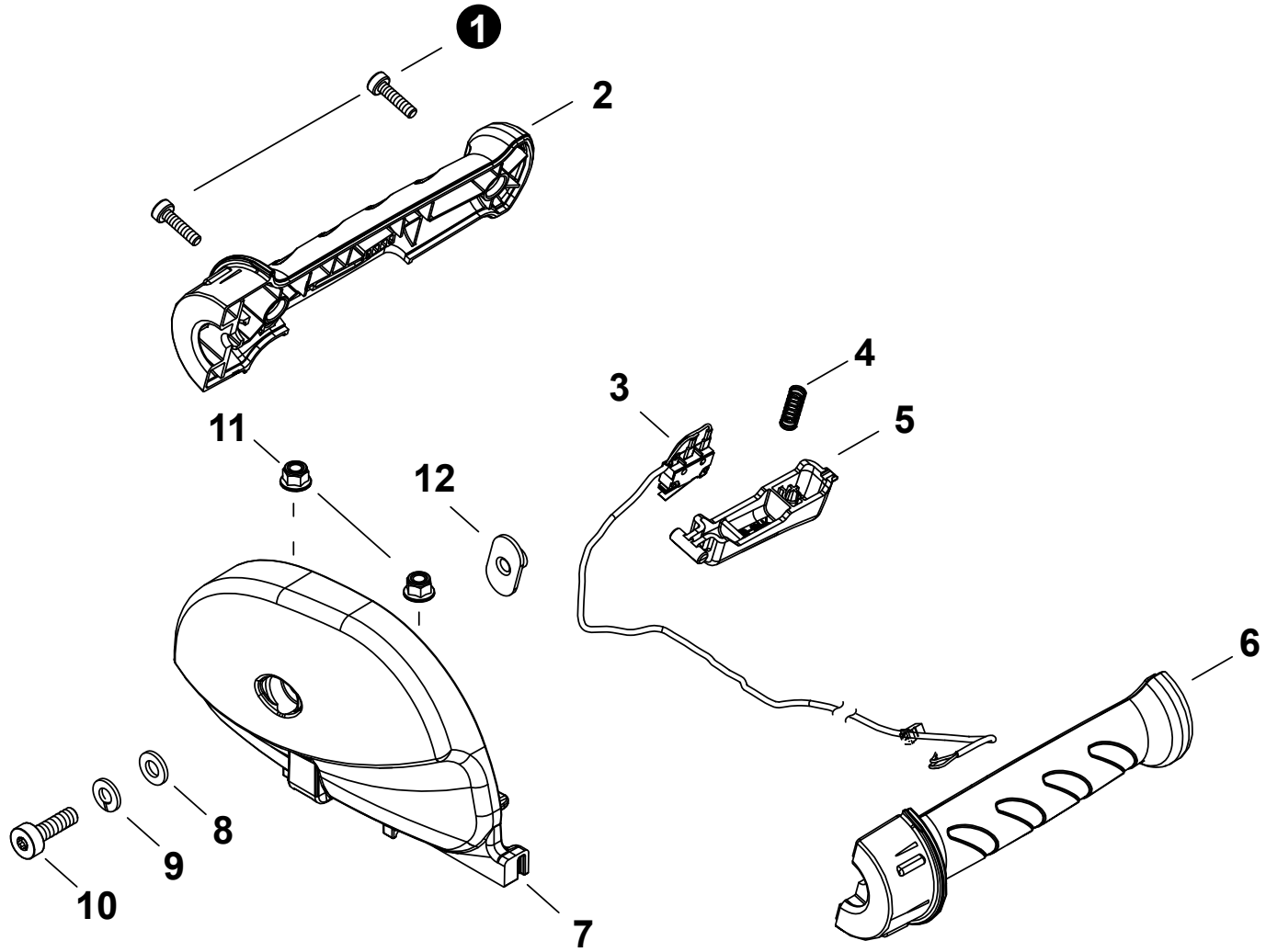
|                               |           |
|-------------------------------|-----------|
| <b>Motor</b> .....            | <b>3</b>  |
| Motor                         |           |
| <b>Gear Case</b> .....        | <b>4</b>  |
| Caja de engranajes            |           |
| <b>Gear Case</b> .....        | <b>5</b>  |
| Caja de engranajes            |           |
| <b>Handle - Support</b> ..... | <b>6</b>  |
| Mango de soporte              |           |
| <b>Control Handle</b> .....   | <b>7</b>  |
| Mango de control              |           |
| <b>Cutter</b> .....           | <b>8</b>  |
| Cuchilla                      |           |
| <b>Cutter</b> .....           | <b>9</b>  |
| Cuchilla                      |           |
| <b>Accessories</b> .....      | <b>10</b> |
| Accesorios                    |           |



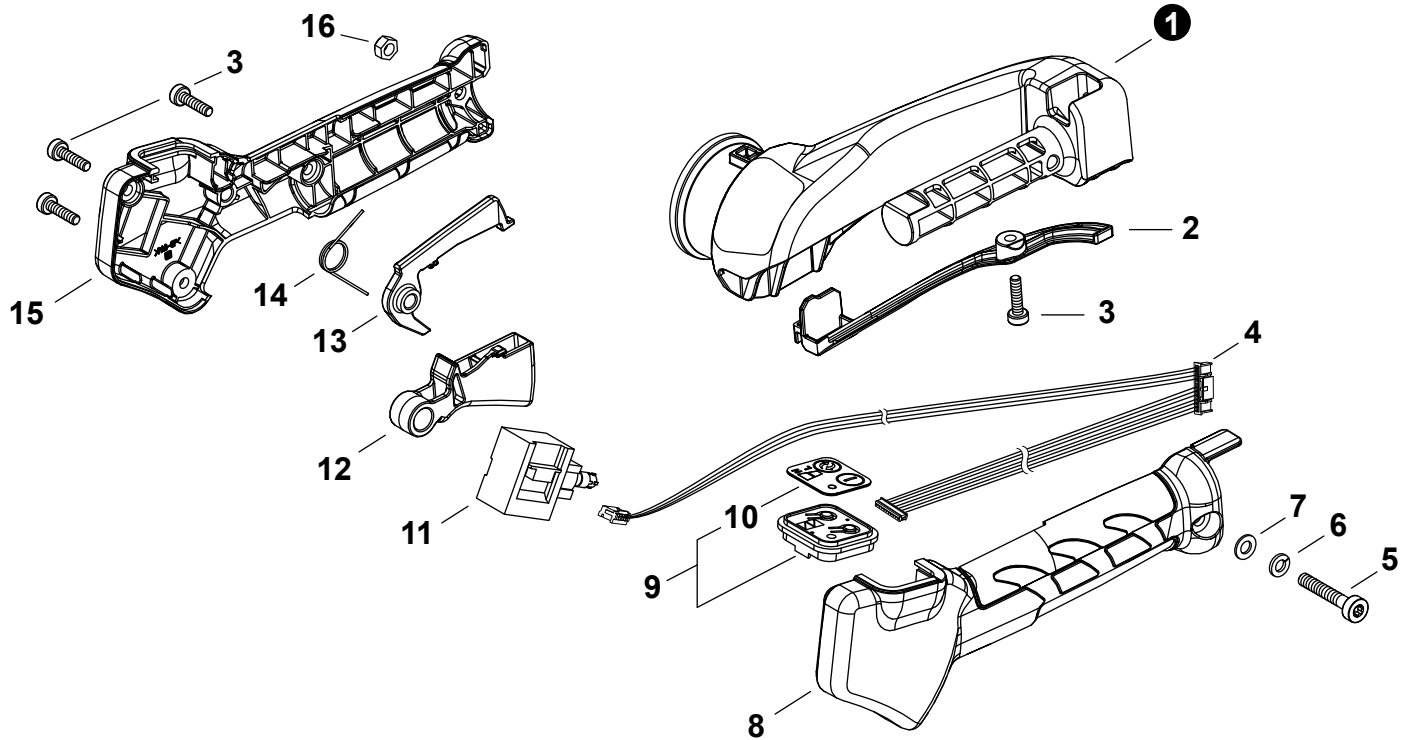
| NO. | PART NUMBER       | QTY.     | DESCRIPTION                     | DESCRIPCIÓN                                     |
|-----|-------------------|----------|---------------------------------|---|
| 1   | A539000540        | 1        | COVER, MOTOR - RIGHT            | CUBIERTA DE MOTOR - DERECHO                     |
| 2   | X502001340        | 1        | LABEL - ECHO                    | ETIQUETA ECHO                                   |
| 3   | A047000640        | 1        | CONTROL BOARD ASSY              | MONTAJE DE TABLERO DE CONTROL                   |
| 4   | V420005780        | 1        | CUSHION                         | AMORTIGUADOR                                    |
| 5   | V805000150        | 4        | BOLT, TORX 5x16                 | PERNO TORX 5x16                                 |
| 6   | V804000050        | 1        | BOLT, TORX 4x12                 | PERNO TORX 4x12                                 |
| 7   | P100013060        | 1        | CASE ASSY, FAN                  | MONTAJE DE CAJA DE VENTILADOR                   |
| 8   | V804000050        | 3        | BOLT, TORX 4x12                 | PERNO TORX 4x12                                 |
| 9   | A054000370        | 1        | MOTOR ASSY                      | MONTAJE DE MOTOR                                |
| 10  | <b>P100013460</b> | <b>1</b> | <b>COVER ASSY, MOTOR - LEFT</b> | <b>MONTAJE DE CUBIERTA DE MOTOR - IZQUIERDO</b> |
| 11  | X638000010        | 1        | +CAP, CUP GREASE                | +TAPA, COPA DE ENGRASE                          |
| 12  | V804000170        | 5        | BOLT, TORX 4x16                 | PERNO TORX 4x16                                 |
| 13  | X543006220        | 1        | LABEL - MODEL DHCS-2800         | ETIQUETA MODELO DHCS-2800                       |
| 14  | X505012100        | 1        | LABEL - CAUTION - ISO           | ETIQUETA DE PRECAUCIÓN - ISO                    |
| 15  | J470009520        | 1        | COVER, GEAR CASE                | TAPA CAJA DE ENGRANAJES                         |
|     | 9210805000        | 1        | NUT, FLANGE M5                  | TUERCA-BRIDA M5                                 |
| 17  | X505012170        | 1        | LABEL - CAUTION - UL            | ETIQUETA DE PRECAUCIÓN - UL                     |



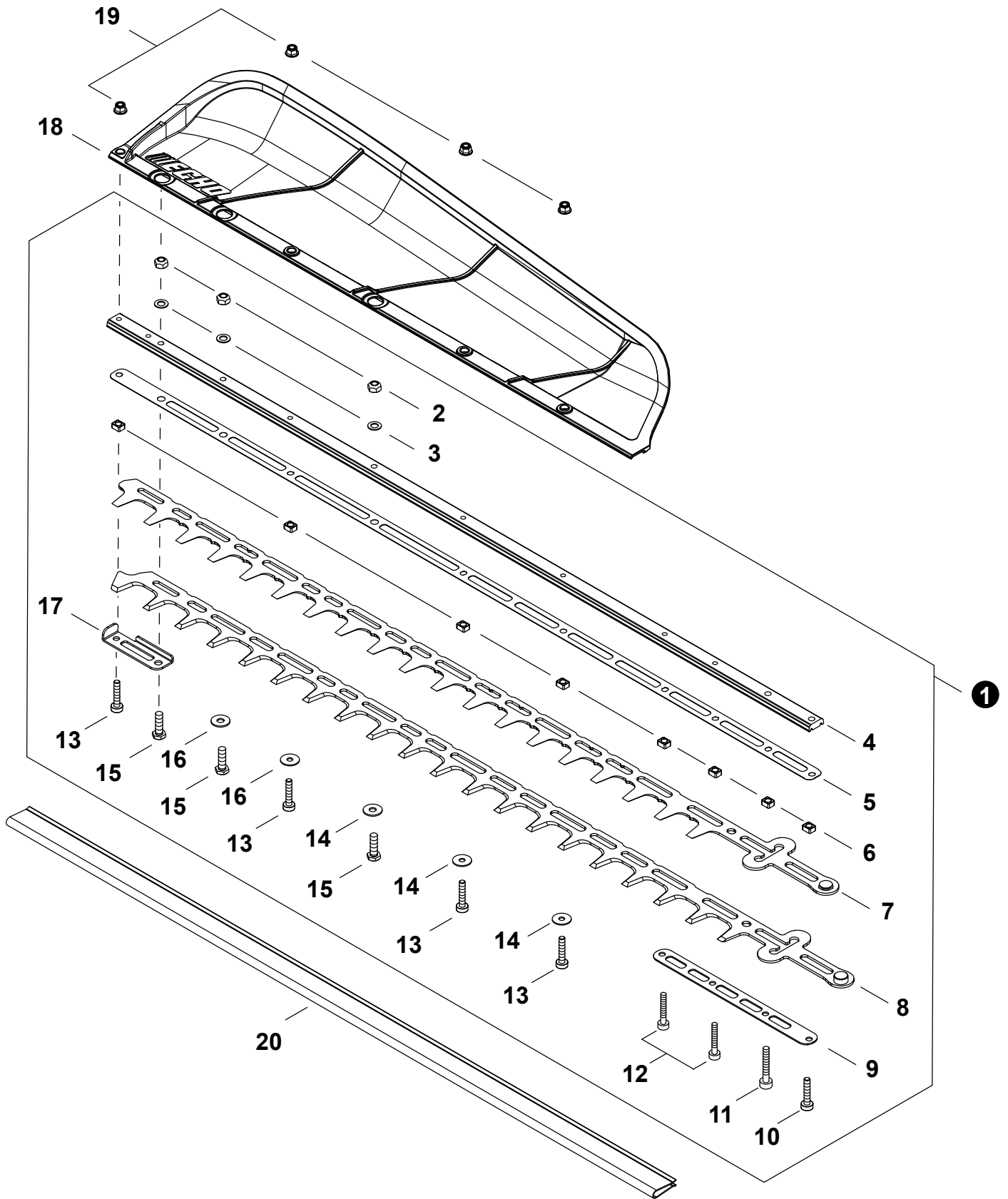
| NO. | PART NUMBER | QTY. | DESCRIPTION           | DESCRIPCIÓN                            |
|-----|-------------|------|-----------------------|--|
| 1   | P100013100  | 1    | GEAR CASE ASSY        | MONTAJE DE CAJA DE ENGRANAJES          |
| 2   | V187000080  | 1    | +FITTING, GREASE      | +ENGRASADOR                            |
| 3   | C603001270  | 2    | PLATE, SIDE           | PLACA LATERAL                          |
| 4   | C532000700  | 2    | ROD, CONNECTING       | BIELA                                  |
| 5   | V572000000  | 2    | BEARING, NEEDLE 30    | COJINETE DE AGUJAS 30                  |
| 6   | P100013121  | 1    | GEAR, SPUR            | ENGRANAJE RECTO                        |
| 7   | V110000260  | 1    | GASKET, GEAR CASE     | EMPAQUETADURA DE CAJA DE ENGRANAJES    |
| 8   | V541000620  | 1    | SEAL                  | SELLO                                  |
| 9   | P100013110  | 1    | COVER ASSY, GEAR CASE | MONTAJE DE TAPA DEL CAJA DE ENGRANAJES |
| 10  | V203002640  | 1    | +BOLT 5x6             | +PERNO 5x6                             |
| 11  | V804000060  | 5    | BOLT, TORX 4x16       | PERNO TORX 4x16                        |



| NO. | PART NUMBER | QTY. | DESCRIPTION            | DESCRIPCIÓN               |
|-----|-------------|------|------------------------|---------------------------|
| 1   | V804000170  | 2    | BOLT, TORX 4x16        | PERNO TORX 4x16           |
| 2   | C412000810  | 1    | GRIP, HANDLE - RIGHT   | AGARRE, MANGO - DERECHO   |
| 3   | C130001300  | 1    | HARNESS, WIRE - HANDLE | ARNÉS DE CABLES - MANGO   |
| 4   | V450002490  | 1    | SPRING, COMPRESSION    | RESORTE DE COMPRESIÓN     |
| 5   | J361000890  | 1    | LEVER, SAFETY          | PALANCA DE SEGURIDAD      |
| 6   | C412000820  | 1    | GRIP, HANDLE - LEFT    | AGARRE, MANGO - IZQUIERDO |
| 7   | C440000120  | 1    | GUARD, HAND            | PROTECCIÓN DE MANO        |
| 8   | 90060200006 | 1    | WASHER 6               | ARANDELA 6                |
| 9   | 90060500006 | 1    | WASHER, SPRING 6       | ARANDELA DE PRESION 6     |
| 10  | V806000050  | 1    | BOLT, TORX 6x20        | PERNO TORX 6x20           |
| 11  | 9210805000  | 2    | NUT, FLANGE M5         | TUERCA-BRIDA M5           |
| 12  | V264000390  | 1    | NUT, 6                 | TUERCA 6                  |



| NO. | PART NUMBER       | QTY. | DESCRIPTION                | DESCRIPCIÓN                                     |
|-----|-------------------|------|----------------------------|---|
| 1   | C410001590        | 1    | SUPPORT, HANDLE            | SOPORTE DE MANGO                                |
| 2   | C138000080        | 1    | COVER, HARNESS             | CUBIERTA DE ARNÉS DE CABLES                     |
| 3   | V804000170        | 4    | BOLT, TORX 4x16            | PERNO TORX 4x16                                 |
| 4   | C130001290        | 1    | HARNESS, WIRE - SWITCH     | ARNÉS DE CABLES - INTERRUPTOR                   |
| 5   | V805000180        | 1    | BOLT, TORX 5x30            | PERNO TORX 5x30                                 |
| 6   | 90060500005       | 1    | WASHER, SPRING 5           | ARANDELA DE PRESION 5                           |
| 7   | 90060200005       | 1    | WASHER 5.3x10x1            | ARANDELA 5.3x10x1                               |
| 8   | C412000800        | 1    | GRIP, HANDLE - LEFT        | AGARRE, MANGO - IZQUIERDO                       |
| 9   | <b>A047000630</b> | 1    | <b>SWITCH ASSY, ON-OFF</b> | <b>MONTAJE DE INTERRUPTOR ENCENDIDO-APAGADO</b> |
| 10  | X510001400        | 1    | +LABEL - SWITCH            | +ETIQUETA - INTERRUPTOR                         |
| 11  | G334001830        | 1    | SWITCH, SPEED CONTROL      | INTERRUPTOR DE CONTROL DE VELOCIDAD             |
| 12  | J361000880        | 1    | TRIGGER, THROTTLE          | GATILLO DEL ACELERADOR                          |
| 13  | C490000090        | 1    | LOCKOUT, THROTTLE          | SEGURO DEL ACELERADOR                           |
| 14  | V452002110        | 1    | SPRING, TORSION            | RESORTE DE TORSIÓN                              |
| 15  | C412000790        | 1    | GRIP, HANDLE - RIGHT       | AGARRE, MANGO - DERECHO                         |
| 16  | 90056200005       | 1    | NUT, LOCK M5               | CONTRATUERCA M5                                 |





| NO. | PART NUMBER | QTY. | DESCRIPTION           | DESCRIPCIÓN                   |
|-----|-------------|------|-----------------------|-------------------------------|
| 1   | X041000850  | 1    | CUTTER ASSY, 30"      | MONTAJE DE CUCHILLA 76 CM     |
| 2   | 43302206460 | 3    | +NUT M6               | +TUERCA M6                    |
| 3   | 90060000006 | 3    | +WASHER 6.5x11.5x0.8  | +ARANDELA 6.5x11.5x0.8        |
| 4   | X425001250  | 1    | +SUPPORT, CUTTER 30"  | +SOPORTE DE LA CUCHILLA 76 CM |
| 5   | X425001260  | 1    | +PLATE, CUTTER 30"    | +PLACA DE CORTE 76 CM         |
| 6   | V376002940  | 8    | +GUIDE, BLADE         | +GUÍA DE CUCHILLA             |
| 7   | X411001440  | 1    | +CUTTER 30" - UPPER   | +CUCHILLA 76 CM - SUPERIOR    |
| 8   | X411001450  | 1    | +CUTTER 30" - LOWER   | +CUCHILLA 76 CM - INFERIOR    |
| 9   | X425001230  | 1    | +PLATE, CUTTER        | +PLACA DE CORTE               |
| 10  | V805000220  | 1    | +BOLT, TORX 5x25      | +PERNO TORX 5x25              |
| 11  | V805000370  | 1    | +BOLT, TORX 5x35      | +PERNO TORX 5x35              |
| 12  | V805000360  | 2    | +BOLT, TORX 5x30      | +PERNO TORX 5x30              |
| 13  | V805000170  | 4    | +BOLT, TORX 5x25      | +PERNO TORX 5x25              |
| 14  | V303000290  | 3    | +WASHER               | +ARANDELA                     |
| 15  | V204000570  | 3    | +BOLT M6x20           | +PERNO M6x20                  |
| 16  | V304000240  | 2    | +WASHER M6            | +ARANDELA M6                  |
| 17  | X425001270  | 1    | +SUPPORT, CUTTER      | +SOPORTE DE LA CUCHILLA       |
| 18  | C571000210  | 1    | DEFLECTOR, DEBRIS 30" | DEFLECTOR DE RESIDUOS 76 CM   |
| 19  | 9210805000  | 4    | NUT, FLANGE M5        | TUERCA-BRIDA M5               |
| 20  | X495001110  | 1    | SCABBARD 30"          | FUNDA 76 CM                   |



| NO. | PART NUMBER | QTY. | DESCRIPTION                      | DESCRIPCIÓN                           |
|-----|-------------|------|----------------------------------|---------------------------------------|
| 1   | LBP-56V125A | 1    | BATTERY, 56V LITHIUM-ION - 2.5Ah | BATERÍA DE IONES DE LITIO 56V - 2.5Ah |
| 2   | LC-56V4AAB  | 1    | CHARGER, BATTERY RAPID 56V       | CARGADOR DE BATERÍA RÁPIDO 56V        |