



Accessories for ECHO products can be found at:

Los accesorios para los productos ECHO se pueden encontrar en:

[www.echo-usa.com/products/catalogs](http://www.echo-usa.com/products/catalogs)

#### OPTIONAL ACCESSORIES &

##### ATTACHMENTS:

|                      |             |
|----------------------|-------------|
| Chain Saw Carry Bag  | 103942147   |
| Small Chain Saw Case | 99988801213 |
| 12-20" Scabbard      | 99988801595 |
| ToughChest-20 Case   | 99988801210 |
| Chain Sharpening Kit | 99988800720 |

##### SAFETY EQUIPMENT

|                       |             |
|-----------------------|-------------|
| Hearing Protection    | 99988801520 |
| Helmet System         | 99988801500 |
| Chaps - 36" Apron     | 99988801300 |
| Chaps - 40" Apron     | 99988801301 |
| Chaps - 36" Full Wrap | 99988801302 |
| Chaps - 40" Full Wrap | 99988801303 |

##### ACCESORIOS OPCIONALES

|                            |             |
|----------------------------|-------------|
| Bolso de transporte        | 103942147   |
| Caso Saw pequeña cadena    | 99988801213 |
| Funda 30-50.8cm            | 99988801595 |
| ToughChest-20 estuche      | 99988801210 |
| Kit de afilado para cadena | 99988800720 |

##### EQUIPO DE SEGURIDAD

|                            |             |
|----------------------------|-------------|
| Protección de los oídos    | 99988801520 |
| Casco de seguridad         | 99988801500 |
| Chaparreras - Mandil 91cm  | 99988801300 |
| Chaparreras - Mandil 102cm | 99988801301 |
| Chaparreras 91cm           | 99988801302 |
| Chaparreras 102cm          | 99988801303 |

## PARTS CATALOG LISTA DE PIEZAS

# CS-355T Chain Saw

## CS-355T MOTOSIERRA



**35.8cc**

**SERIAL NUMBER**  
NÚMERO DE SERIE

**C23512001001 - C23512999999**

### ECHO, INCORPORATED

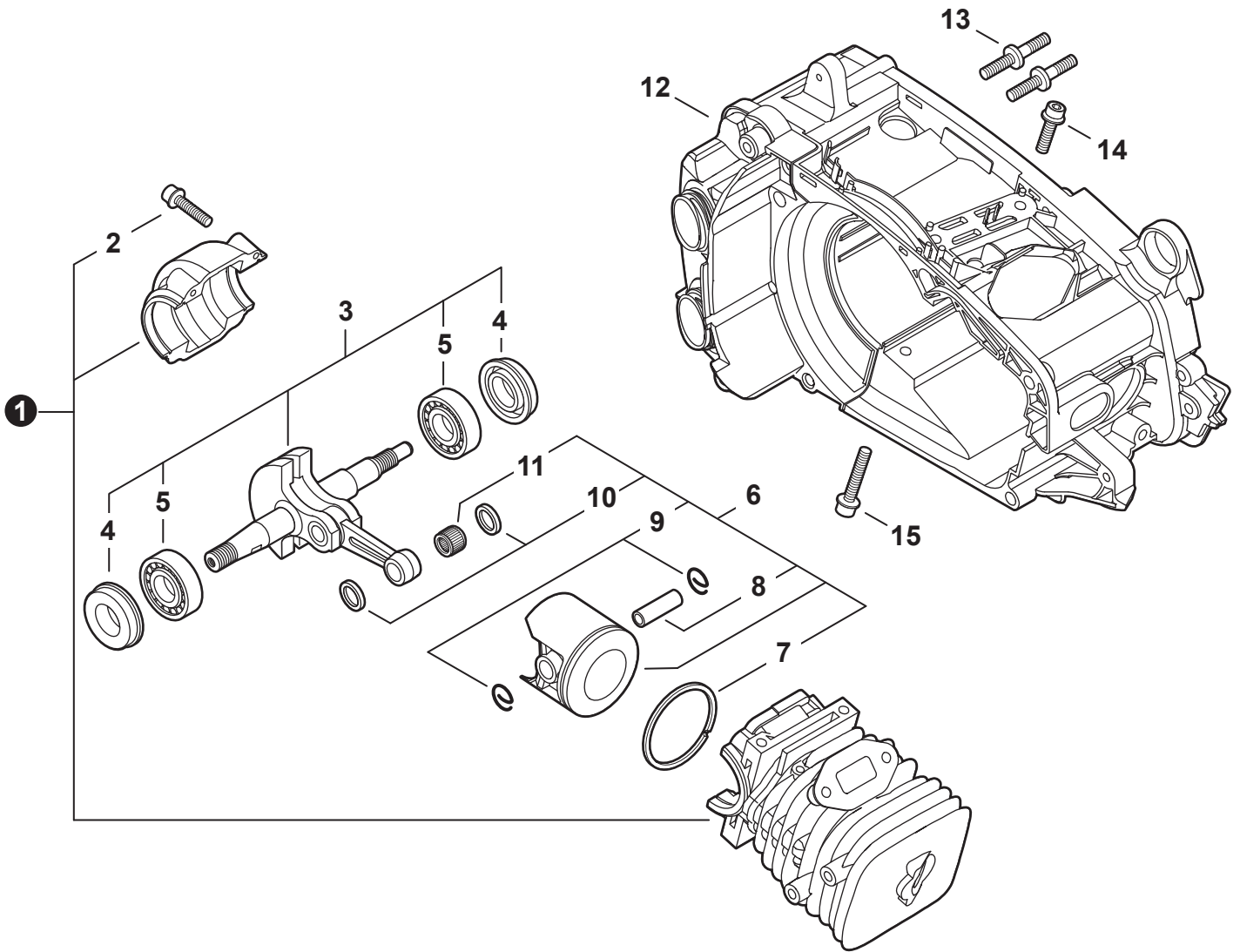
400 Oakwood Road, Lake Zurich, Illinois 60047

[WWW.ECHO-USA.COM](http://WWW.ECHO-USA.COM)

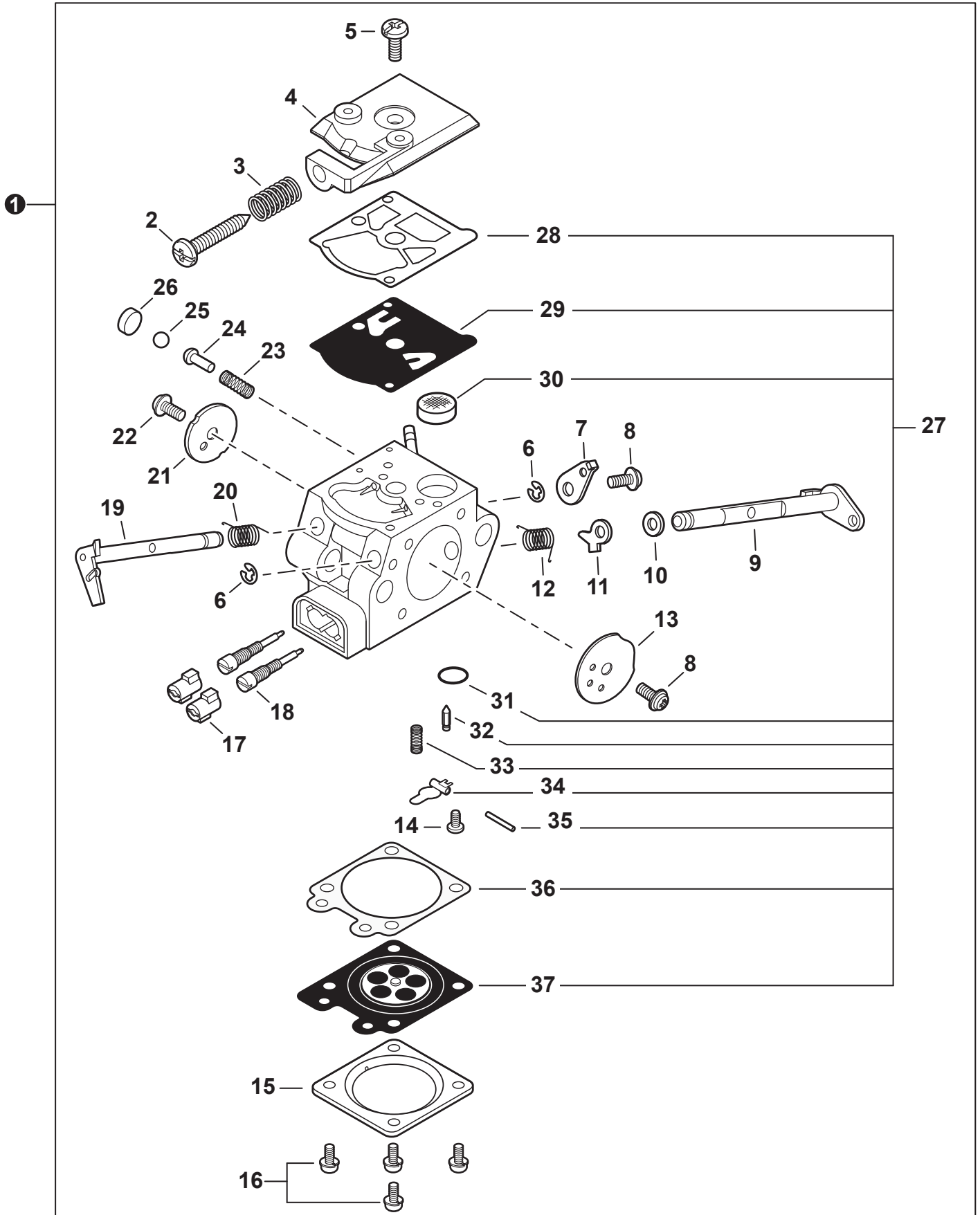
©2019 ECHO Incorporated. All Rights Reserved

P/N 99922201480  
REVISED 01/21/19

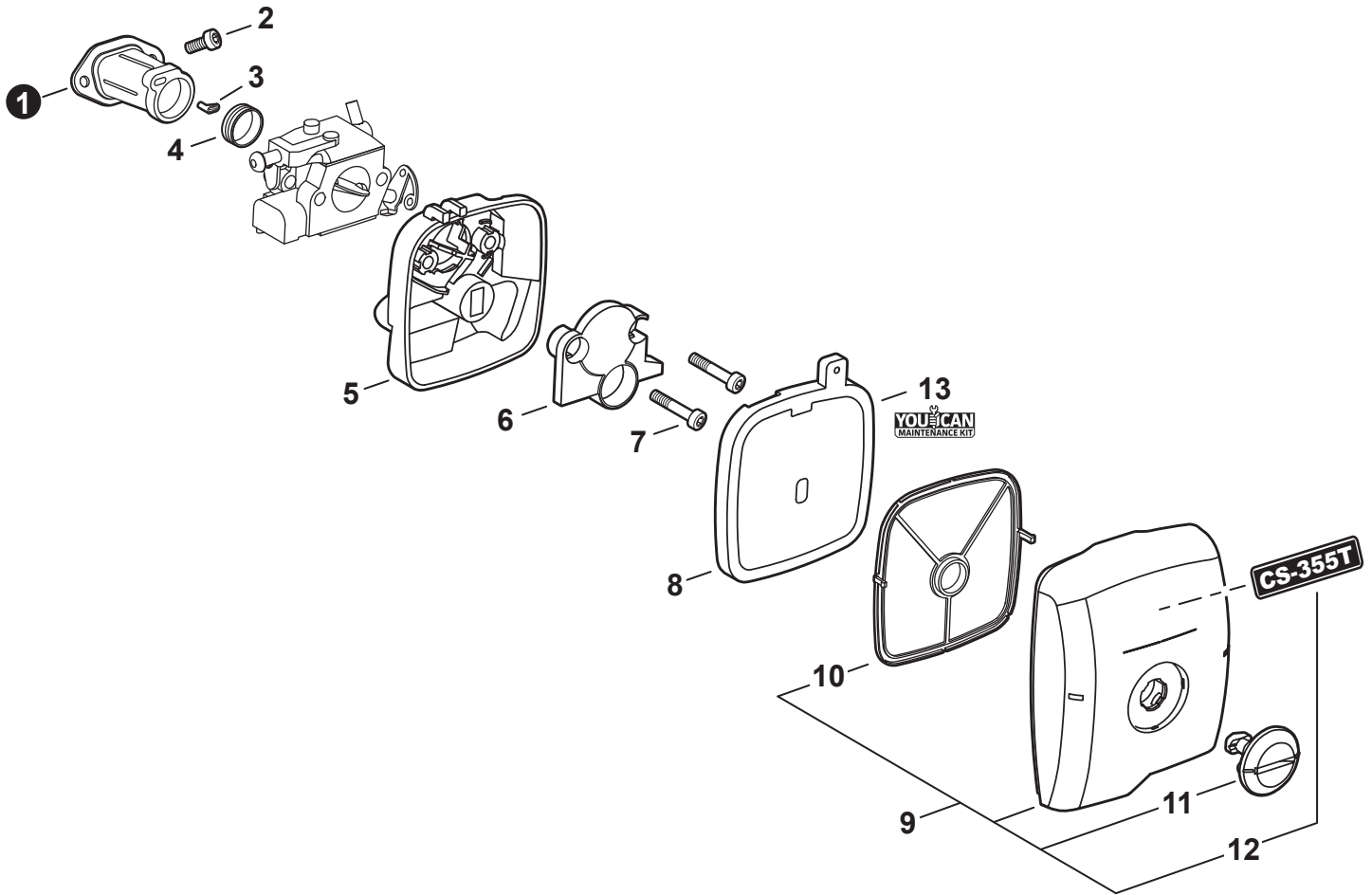
|  |           |
|--|-----------|
| <b>Engine</b> .....                    | <b>3</b>  |
| Motor                                  |           |
| <b>Carburetor</b> .....                | <b>4</b>  |
| Carburador                             |           |
| <b>Carburetor</b> .....                | <b>5</b>  |
| Carburador                             |           |
| <b>Intake</b> .....                    | <b>6</b>  |
| Admisión                               |           |
| <b>Exhaust</b> .....                   | <b>7</b>  |
| Escape                                 |           |
| <b>Ignition</b> .....                  | <b>8</b>  |
| Encendido                              |           |
| <b>Recoil Starter</b> .....            | <b>9</b>  |
| Arrancador Autorretráctil              |           |
| <b>Fuel System</b> .....               | <b>10</b> |
| Sistema de combustible                 |           |
| <b>Oil System</b> .....                | <b>11</b> |
| Sistema de aceite                      |           |
| <b>Handles, Throttle Control</b> ..... | <b>12</b> |
| Mangos, Control de Acelerador          |           |
| <b>Handles, Throttle Control</b> ..... | <b>13</b> |
| Mangos, Control de Acelerador          |           |
| <b>Chain Brake</b> .....               | <b>14</b> |
| Freno de cadena                        |           |
| <b>Chain Brake</b> .....               | <b>15</b> |
| Freno de cadena                        |           |
| <b>Clutch</b> .....                    | <b>16</b> |
| Embrague                               |           |
| <b>Labels</b> .....                    | <b>17</b> |
| Etiquetas                              |           |
| <b>Chain, Guide Bar</b> .....          | <b>18</b> |
| Cadena, Guía de barra                  |           |
| <b>Tools</b> .....                     | <b>19</b> |
| Herramientas                           |           |
| <b>Maintenance Kits</b> .....          | <b>19</b> |
| Juegos de mantenimiento                |           |
| <b>Bulk Pipe</b> .....                 | <b>19</b> |
| Tubo al por mayor                      |           |
| <b>Bulk Starter Rope</b> .....         | <b>19</b> |
| Cuerda del arrancador al por mayor     |           |



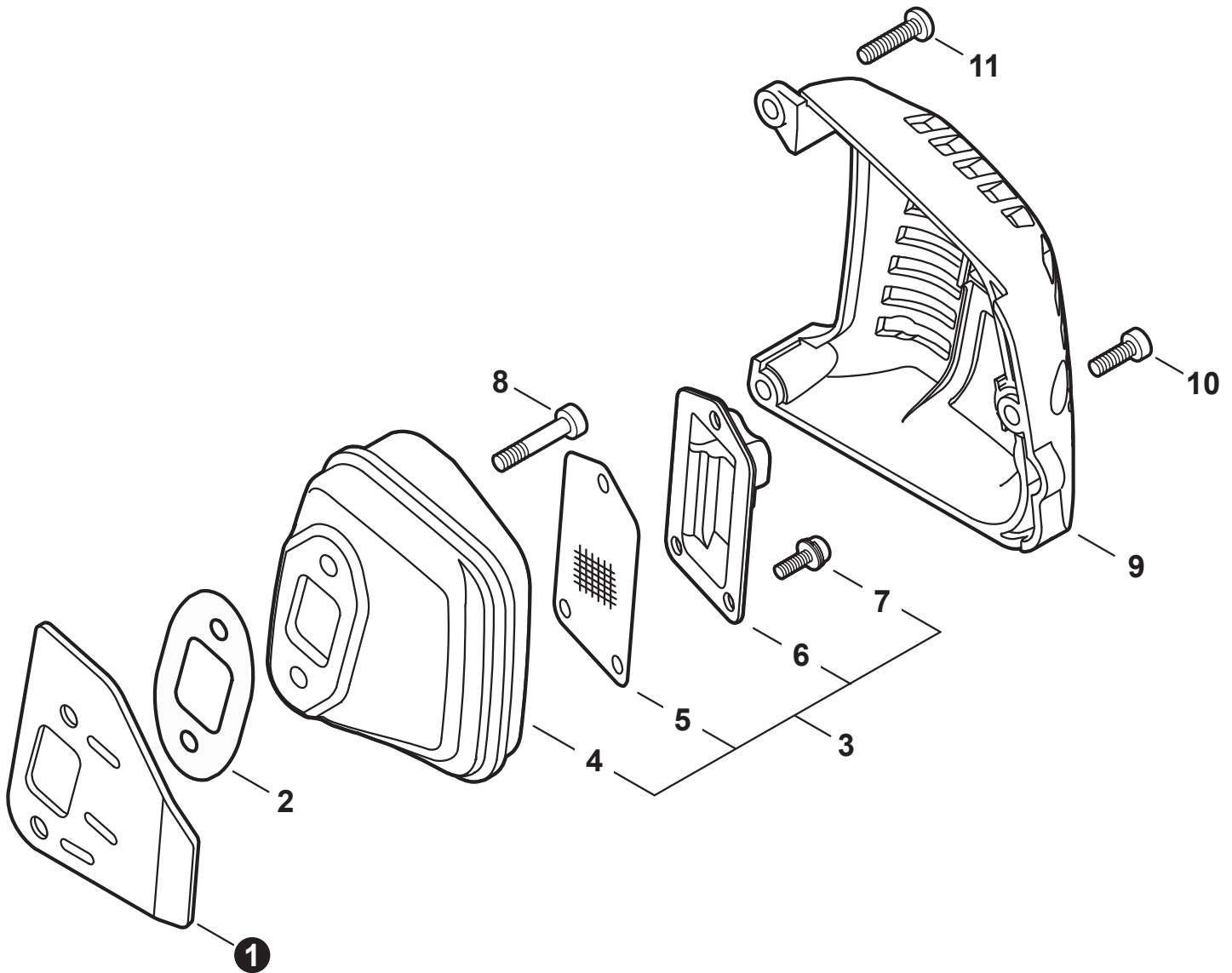
| NO. | PART NUMBER | QTY. | DESCRIPTION         | DESCRIPCIÓN               |
|-----|-------------|------|---------------------|---------------------------|
| 1   | P021041760  | 1    | CRANKCASE SET       | JUEGO DE CÁRTER           |
| 2   | V805000210  | 4    | +BOLT, TORX 5×20    | +PERNO TORX 5×20          |
| 3   | P021039160  | 1    | CRANKSHAFT ASSY     | MONTAJE DE CIGÜEÑAL       |
| 4   | V505000011  | 2    | +SEAL, OIL 12       | +SELLO DE ACEITE 12       |
| 5   | 9403536201  | 2    | +BEARING, BALL 6201 | +COJINETE DE BALINES 6201 |
| 6   | P021041770  | 1    | PISTON KIT          | JUEGO DE PISTÓN           |
| 7   | A101000650  | 1    | +RING, PISTON       | +ANILLO DEL PISTÓN        |
| 8   | 10001315330 | 1    | +PIN, PISTON        | +PASADOR DEL PISTÓN       |
| 9   | 10001504630 | 2    | +RING, SNAP         | +ANILLO RETENEDOR         |
| 10  | 10001460930 | 2    | +WASHER, THRUST     | +ARANDELA DE EMPUJE       |
| 11  | V553000130  | 1    | +BEARING, NEEDLE 8  | +COJINETE DE AGUJAS 8     |
| 12  | A190001155  | 1    | COVER, ENGINE       | CUBIERTA DE MOTOR         |
| 13  | V225000262  | 2    | STUD, GUIDE BAR     | PERNO PRISIONERO          |
| 14  | V805000210  | 2    | BOLT, TORX 5×20     | PERNO TORX 5×20           |
| 15  | V805000180  | 2    | BOLT, TORX 5×30     | PERNO TORX 5×30           |



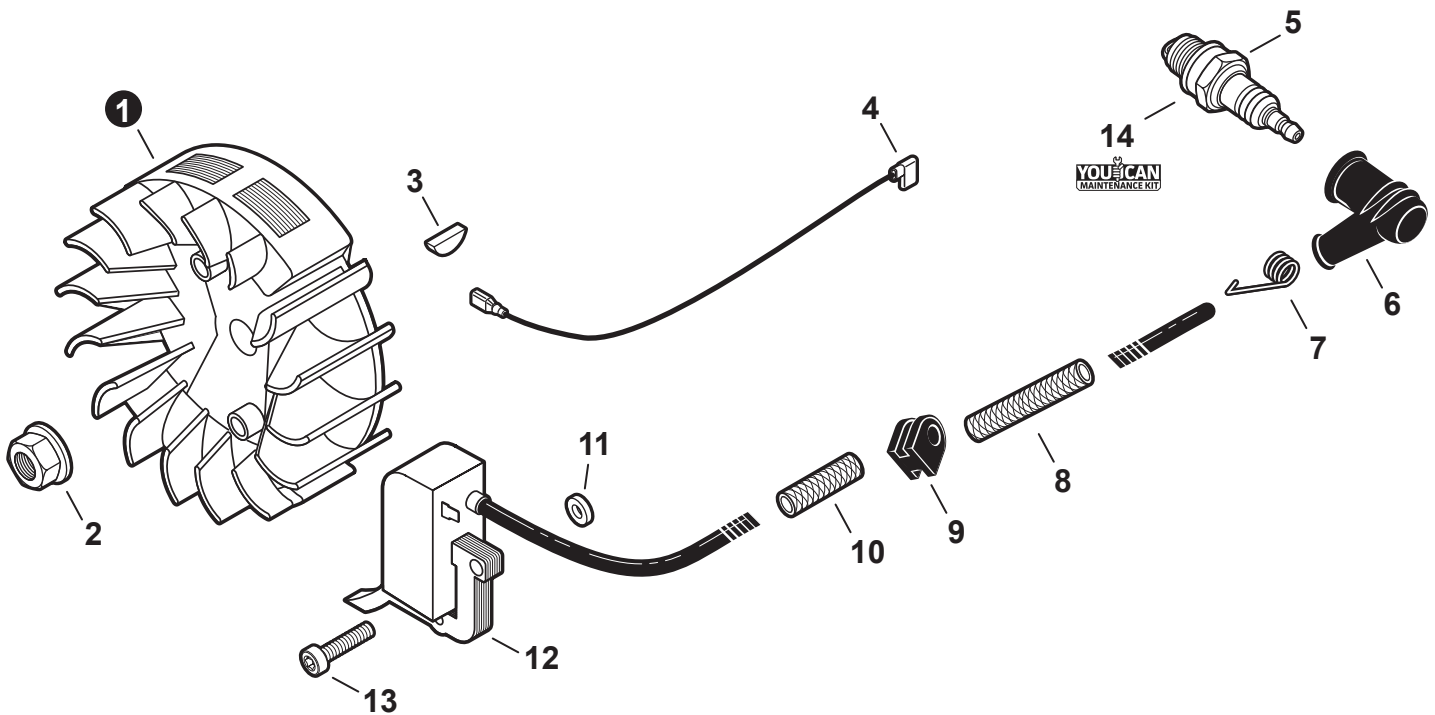
| NO. | PART NUMBER       | QTY.     | DESCRIPTION                    | DESCRIPCIÓN                                |
|-----|-------------------|----------|--------------------------------|--|
| 1   | A021003681        | 1        | <b>CARBURETOR WT-1049</b>      | <b>CARBURADOR WT-1049</b>                  |
| 2   | 12313404260       | 1        | +SCREW, IDLE ADJUST            | +TORNILLO PARA AJUSTAR EL RALENTI          |
| 3   | 12313304260       | 1        | +SPRING, IDLE ADJUST           | +RESORTE PARA AJUSTAR EL RALENTÍ           |
| 4   | 12312424430       | 1        | +COVER, FUEL PUMP              | +CUBIERTA DE LA BOMBA DE COMBUSTIBLE       |
| 5   | 12311003930       | 1        | +SCREW                         | +TORNILLO                                  |
| 6   | 12312715030       | 2        | +E-RING                        | +RETENEDOR TIPO "E"                        |
| 7   | P003005080        | 1        | +LEVER, THROTTLE               | +PALANCA DE ACELERADOR                     |
| 8   | 12311438830       | 2        | +SCREW                         | +TORNILLO                                  |
| 9   | P003001140        | 1        | +SHAFT, CHOKE                  | +EJE DEL ESTRANGULADOR                     |
| 10  | 12314926030       | 1        | +WASHER                        | +ARANDELA                                  |
| 11  | P003001510        | 1        | +LEVER, FAST IDLE              | +PALANCA DE RALENTÍ RÁPIDO                 |
| 12  | P003002260        | 1        | +SPRING                        | +RESORTE                                   |
| 13  | P003001790        | 1        | +VALVE, CHOKE                  | +VÁLVULA ESTRANGULADOR                     |
| 14  | 12313903930       | 1        | +SCREW, METERING LEVER PIN     | +TORNILLO PASADOR DE PALANCA DE MEDICIÓN   |
| 15  | 12314203930       | 1        | +COVER, METERING DIAPHRAGM     | +TAPA DE DIAFRAGMA DE MEDICIÓN             |
| 16  | 12313002960       | 4        | +SCREW                         | +TORNILLO                                  |
| 17  | P003000010        | 2        | +CAP, LIMITER                  | +PROTECTOR DE TORNILLO                     |
| 18  | 12311802261       | 2        | +NEEDLE, MIXTURE               | +AGUJA DE REGULACION                       |
| 19  | P003005060        | 1        | +SHAFT, THROTTLE               | +EJE DEL ACELERADOR                        |
| 20  | 12311337530       | 1        | +SPRING, THROTTLE RETURN       | +RESORTE DEL ACELERADOR                    |
| 21  | P003005070        | 1        | +VALVE, THROTTLE               | +VÁLVULA DEL ACELERADOR                    |
| 22  | P003002380        | 1        | +SCREW                         | +TORNILLO                                  |
| 23  | 12318609660       | 1        | +SPRING, START VALVE           | +RESORTE                                   |
| 24  | 12318509660       | 1        | +PISTON ASSY                   | +MONTAJE DE PISTÓN                         |
| 25  | 12313609660       | 1        | +BALL                          | +BOLA                                      |
| 26  | P003005090        | 1        | +PLUG                          | +TAPÓN                                     |
| 27  | <b>P033000030</b> | <b>1</b> | <b>+REPAIR KIT, CARBURETOR</b> | <b>+JUEGO DE REPARACIÓN DE CARBURADOR</b>  |
| 28  | 12312515030       | 1        | ++GASKET, FUEL PUMP            | ++EMPAQUETADURA DE LA BOMBA DE COMBUSTIBLE |
| 29  | 12311215030       | 1        | ++DIAPHRAGM, PUMP              | ++DIAFRAGMA DE LA BOMBA                    |
| 30  | 12312610631       | 1        | ++SCREEN, FUEL INLET           | ++MALLA FILTRADORA                         |
| 31  | 12314610631       | 1        | ++PLUG, WELCH                  | ++TAPÓN WELCH                              |
| 32  | 12313719830       | 1        | ++VALVE, INLET NEEDLE          | ++VÁLVULA REGULADORA                       |
| 33  | 12312239830       | 1        | ++SPRING, METERING LEVER       | ++RESORTE PALANCA DE MEDICIÓN              |
| 34  | 12312303930       | 1        | ++LEVER, METERING              | ++PALANCA DE MEDICIÓN                      |
| 35  | 12313803930       | 1        | ++PIN, METERING LEVER          | ++PASADOR DE PALANCA DE MEDICIÓN           |
| 36  | 12314003930       | 1        | ++GASKET, METERING DIAPHRAGM   | ++EMPAQUETADURA DIAFRAGMA DE MEDICIÓN      |
| 37  | P003001850        | 1        | ++DIAPHRAGM, METERING          | ++DIAFRAGMA DE MEDICIÓN                    |



| NO. | PART NUMBER       | QTY. | DESCRIPTION                   | DESCRIPCIÓN                                  |
|-----|-------------------|------|-------------------------------|--|
| 1   | A202000231        | 1    | BELLOWS, INTAKE               | FUELLE DE ADMISIÓN                           |
| 2   | V805000140        | 2    | BOLT, TORX 5×12               | PERNO TORX 5×12                              |
| 3   | V351000000        | 1    | COLLAR Ø3.2×6.5               | COLLAR Ø3.2×6.5                              |
| 4   | V451001310        | 1    | SPRING, TENSION               | RESORTE DE TENSIÓN                           |
| 5   | A225000611        | 1    | CASE, AIR FILTER              | CAJA DEL FILTRO DE AIRE                      |
| 6   | A244000280        | 1    | PLATE, PREVENT                | PLACA DE PREVENCIÓN                          |
| 7   | V805000080        | 2    | BOLT, TORX 5×50               | PERNO TORX 5×50                              |
| 8   | A226001661        | 1    | FILTER, AIR                   | FILTRO DE AIRE                               |
| 9   | <b>P021042614</b> | 1    | <b>COVER ASSY, AIR FILTER</b> | <b>MONTAJE DE CUBIERTA DE FILTRO DE AIRE</b> |
| 10  | A228000030        | 1    | +SEAL, AIR FILTER             | +SELLO DEL FILTRO DE AIRE                    |
| 11  | A235000361        | 1    | +KNOB, AIR FILTER COVER       | +PERILLA DE CUBIERTA DEL FILTRO DE AIRE      |
| 12  | X503011080        | 1    | +LABEL - MODEL CS-355T        | +ETIQUETA MODELO CS-355T                     |
| 13  | <b>90144Y</b>     | 1    | <b>TUNE-UP KIT - YOUCAN™</b>  | <b>JUEGO DE PUESTA A PUNTO - YOUCAN™</b>     |

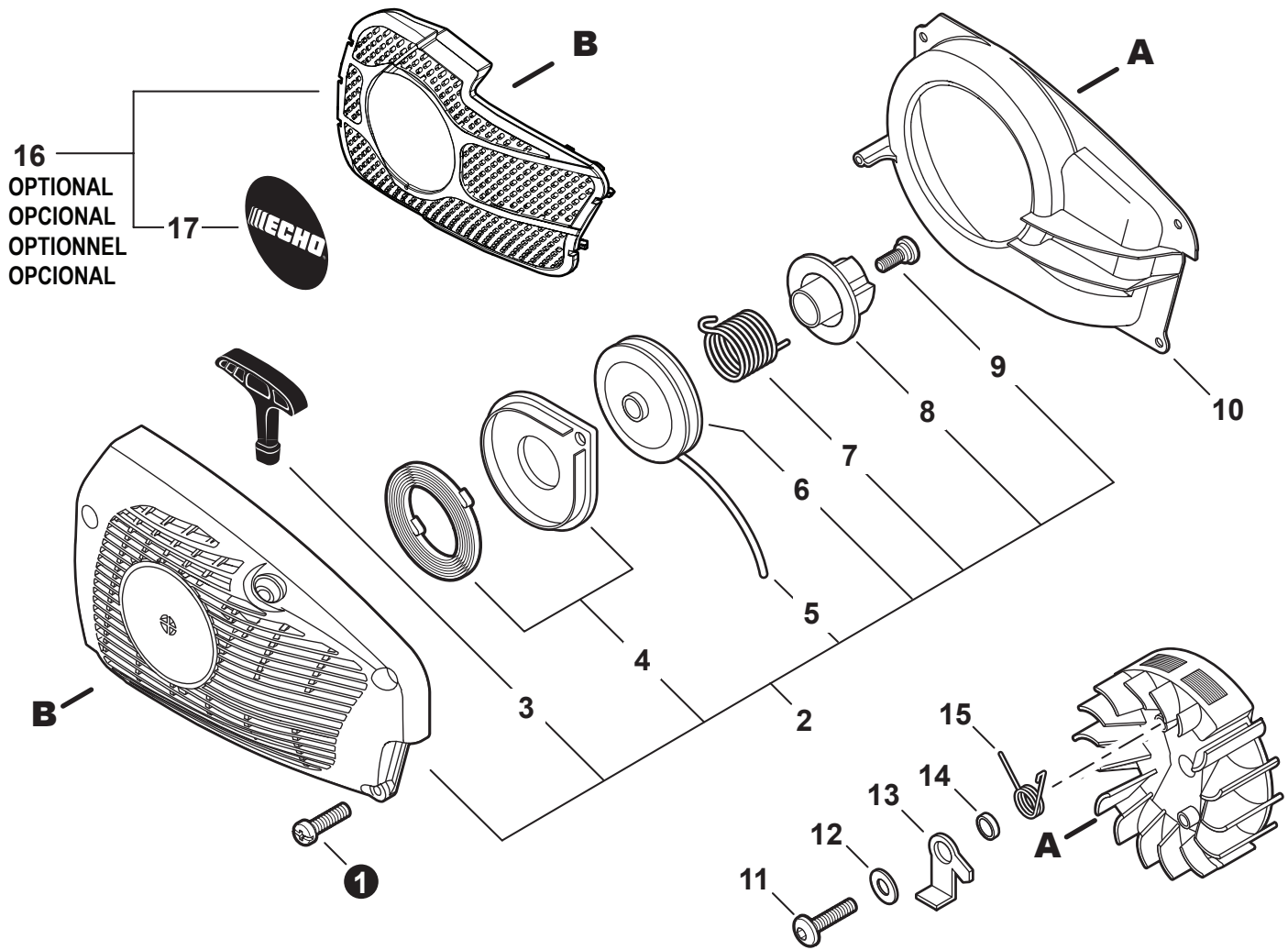


| NO. | PART NUMBER       | QTY. | DESCRIPTION             | DESCRIPCIÓN                   |
|-----|-------------------|------|-------------------------|-------------------------------|
| 1   | A312000070        | 1    | HEAT SHIELD, EXHAUST    | PROTECTOR TÉRMICO DEL ESCAPE  |
| 2   | V104001960        | 1    | GASKET, EXHAUST         | EMPAQUETADURA DE ESCAPE       |
| 3   | <b>P021041790</b> | 1    | <b>MUFFLER ASSY</b>     | <b>MONTAJE DE SILENCIADOR</b> |
| 4   | A300001720        | 1    | +MUFFLER                | +SILENCIADOR                  |
| 5   | A310000431        | 1    | +SCREEN, SPARK ARRESTER | +PANTALLA DEL GUARDACHISPAS   |
| 6   | A313001930        | 1    | +GUIDE, EXHAUST         | +GUÍA DE ESCAPE               |
| 7   | 90024204010       | 3    | +SCREW 4×10             | +TORNILLO 4×10                |
| 8   | V805000270        | 2    | BOLT 5×40               | PERNO 5×40                    |
| 9   | A320000940        | 1    | COVER, MUFFLER          | CUBIERTA DEL SILENCIADOR      |
| 10  | V805000150        | 1    | BOLT, TORX 5×16         | PERNO TORX 5×16               |
| 11  | V805000010        | 2    | BOLT, TORX 5×20         | PERNO TORX 5×20               |

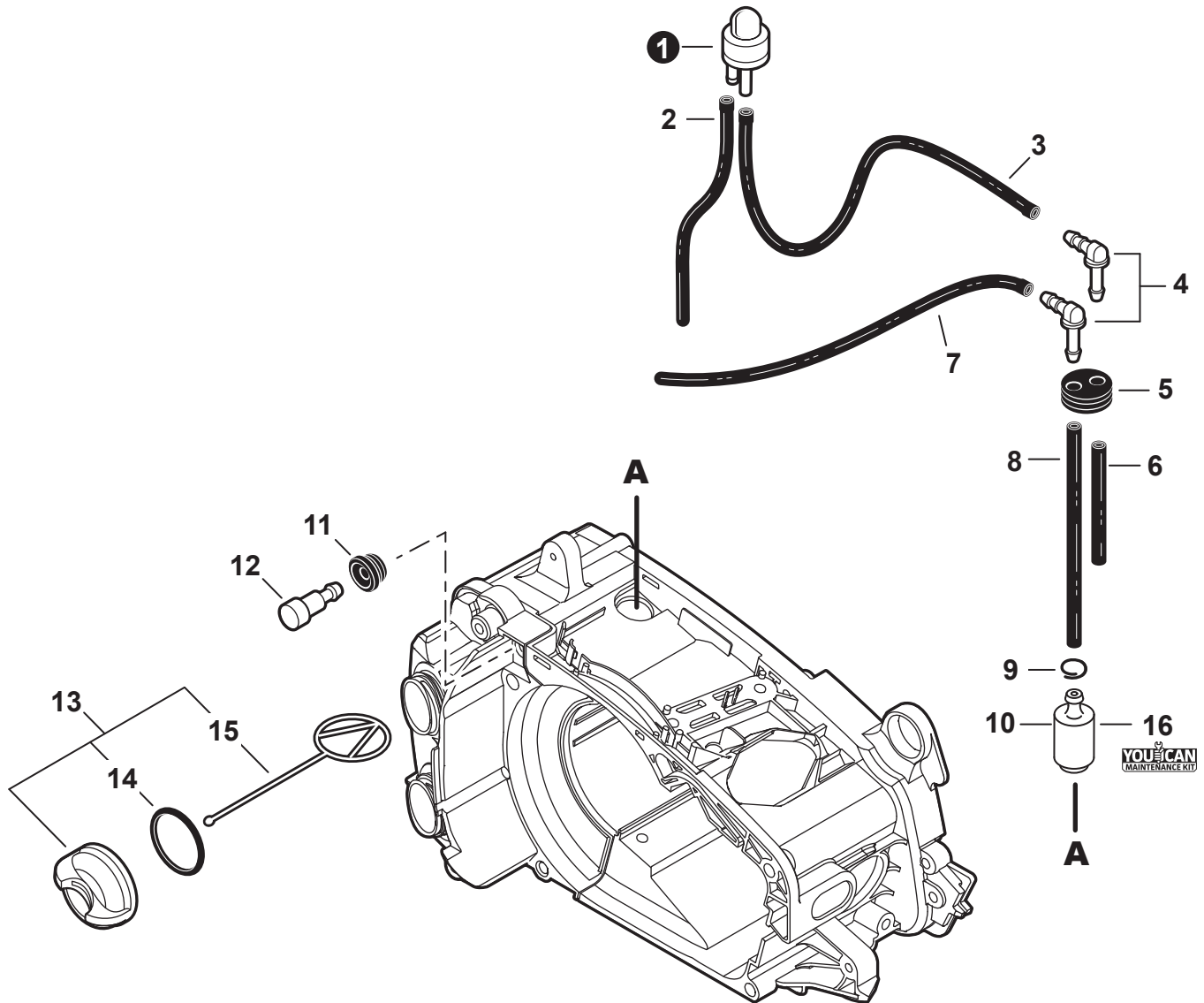


| NO. | PART NUMBER | QTY. | DESCRIPTION              | DESCRIPCIÓN                       |
|-----|-------------|------|--------------------------|-----------------------------------|
| 1   | A409001240  | 1    | FLYWHEEL                 | VOLANTE                           |
| 2   | 90051500008 | 1    | NUT, FLANGE M8           | TUERCA-BRIDA M8                   |
| 3   | 10014212330 | 1    | KEY, WOODRUFF            | CHAVETA WOODRUFF                  |
| 4   | V485002430  | 1    | LEAD - IGNITION          | CABLE DE ENCENDIDO                |
| 5   | 15901019830 | 1    | SPARK PLUG - BPM8Y       | BUJÍA - BPM8Y                     |
| 6   | A427000013  | 1    | CAP, SPARK PLUG          | TAPA DE BUJÍA                     |
| 7   | A426000010  | 1    | TERMINAL, SPARK PLUG     | TERMINAL DE BUJÍA                 |
| 8   | V475002390  | 1    | TUBE, INSULATOR 7x8.6x40 | TUBO AISLANTE 7x8.6x40            |
| 9   | 15611004920 | 1    | GROMMET                  | OJAL                              |
| 10  | V475001900  | 1    | TUBE, INSULATOR 7x8.6x30 | TUBO AISLANTE 7x8.6x30            |
| 11  | 15011716430 | 2    | WASHER 5.2x12x3          | ARANDELA 5.2x12x3                 |
| 12  | A411001401  | 1    | COIL, IGNITION           | BOBINA DE ENCENDIDO               |
| 13  | V805000210  | 2    | BOLT, TORX 5x20          | PERNO TORX 5x20                   |
| 14  | 90144Y      | 1    | TUNE-UP KIT - YOUCAN™    | JUEGO DE PUESTA A PUNTO - YOUCAN™ |

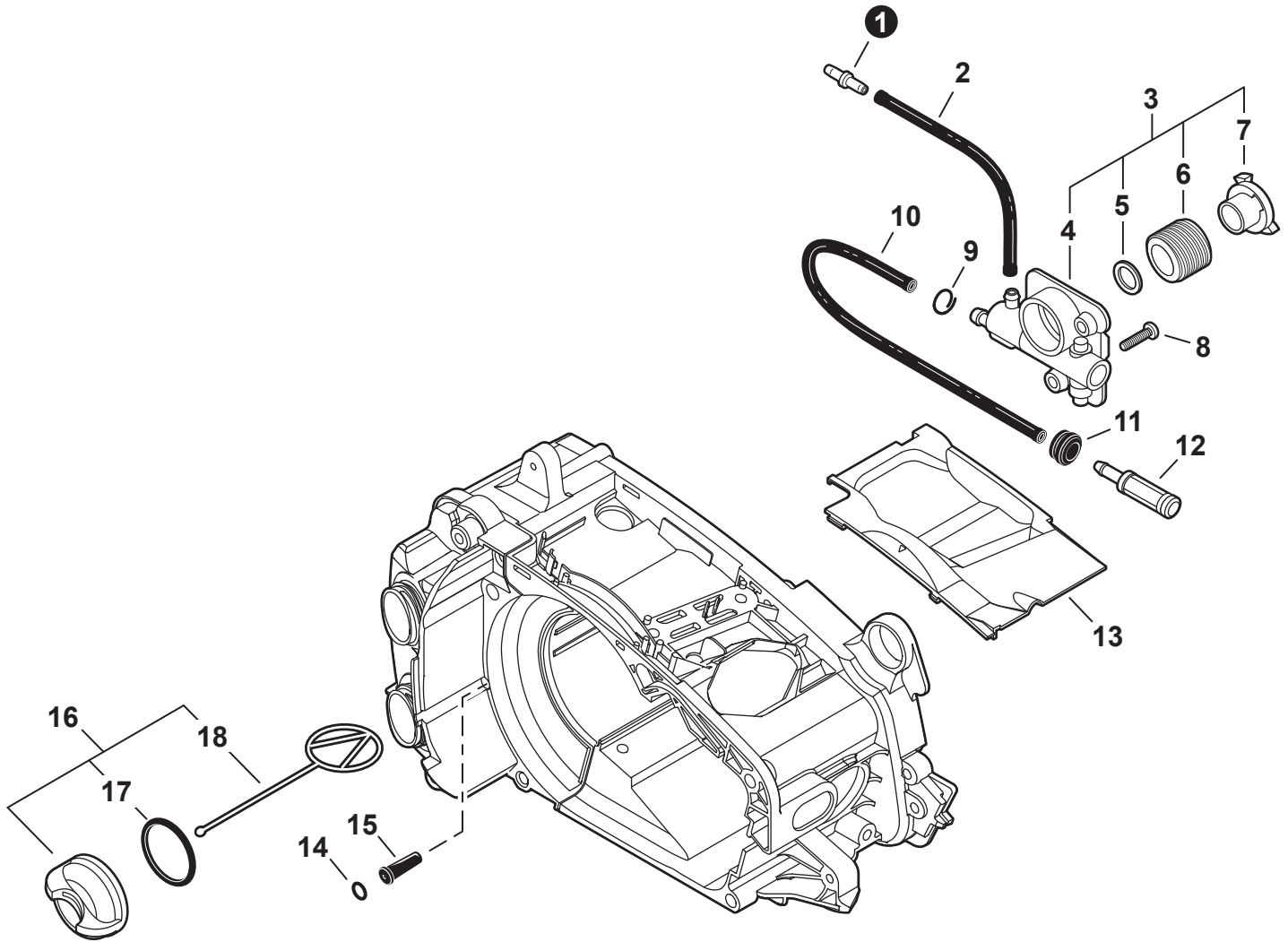




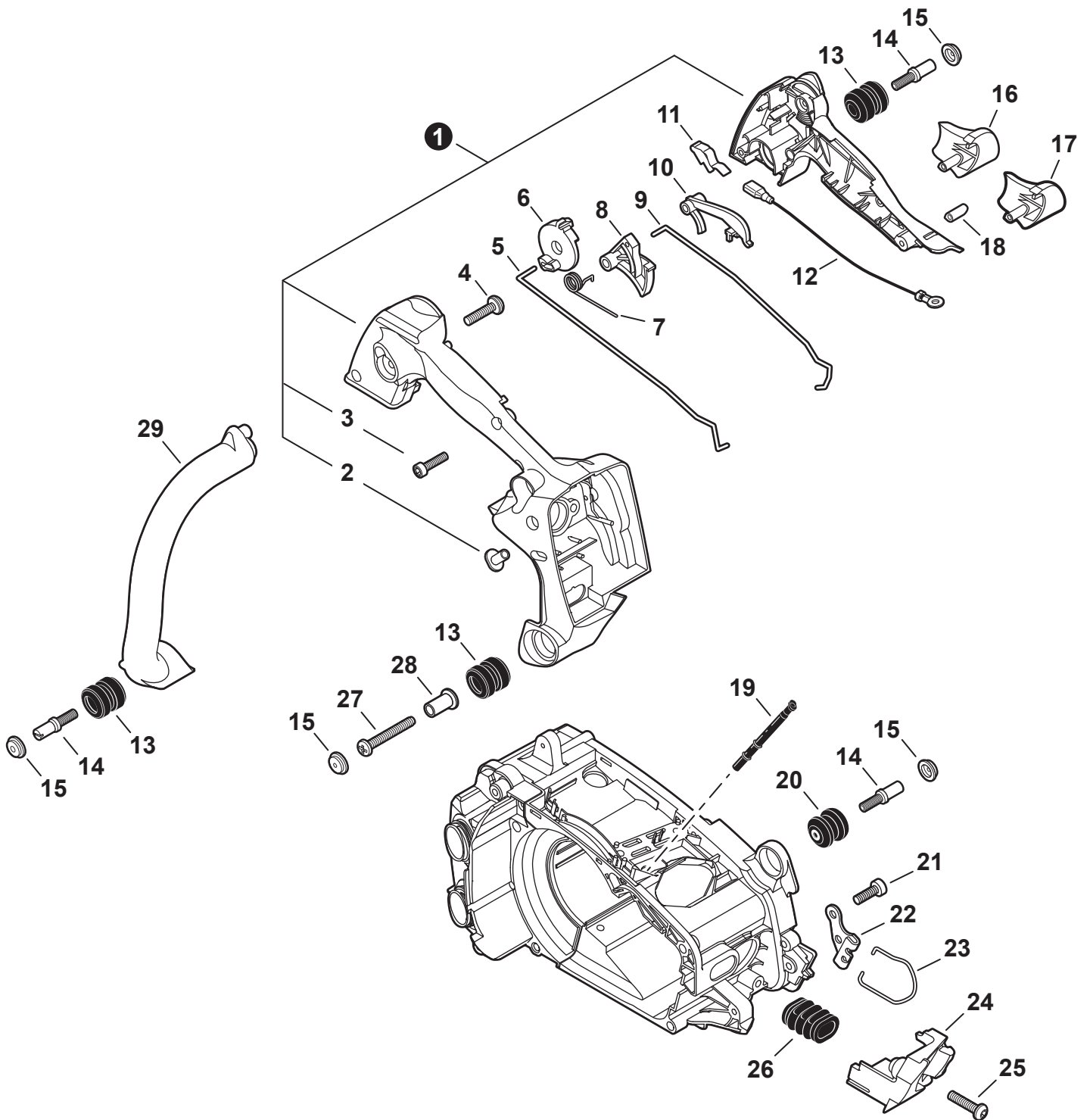
| NO. | PART NUMBER       | QTY. | DESCRIPTION                 | DESCRIPCIÓN                                 |
|-----|-------------------|------|-----------------------------|---|
| 1   | V804000060        | 4    | BOLT, TORX 4×16             | PERNO TORX 4×16                             |
| 2   | <b>A051002511</b> | 1    | <b>STARTER ASSY, RECOIL</b> | <b>MONTAJE DE ARRANCADOR AUTORRETRÁCTIL</b> |
| 3   | P022005891        | 1    | +GRIP, STARTER              | +AGARRE DEL ARRANCADOR                      |
| 4   | P022001330        | 1    | +SPRING KIT, RECOIL         | +MONTAJE DE RESORTE RECULAR                 |
| 5   | P022008440        | 1    | +ROPE, STARTER 3.5×900      | +CUERDA DEL ARRANCADOR 3.5×900              |
| 6   | A506000470        | 1    | +REEL, ROPE                 | +CARRETE DEL CABLE                          |
| 7   | V452001390        | 1    | +SPRING, RETURN             | +RESORTE DE RETORNO                         |
| 8   | A507000130        | 1    | +PLATE, CAM                 | +PLACA DE LEVA                              |
| 9   | 17723661830       | 1    | +SCREW                      | +TORNILLO                                   |
| 10  | A172002091        | 1    | COVER, FAN                  | CUBIERTA DE VENTILADOR                      |
| 11  | V203000080        | 2    | BOLT 5×14                   | PERNO 5×14                                  |
| 12  | 90060300005       | 2    | WASHER 5.5×12×0.8           | ARANDELA 5.5×12×0.8                         |
| 13  | A514000270        | 2    | PAWL, STARTER               | TRINQUETE                                   |
| 14  | 17724704630       | 2    | SPACER 5.2×8×2.1            | ESPACIADOR 5.2×8×2.1                        |
| 15  | 17723435430       | 2    | SPRING, TORSION             | RESORTE DE TORSIÓN                          |
| 16  | <b>91209</b>      | 2    | <b>SHIELD, DEBRIS</b>       | <b>PROTECTOR CONTRA RESIDUOS</b>            |
| 17  | X502000410        | 1    | +LABEL, ECHO                | +ETIQUETA ECHO                              |



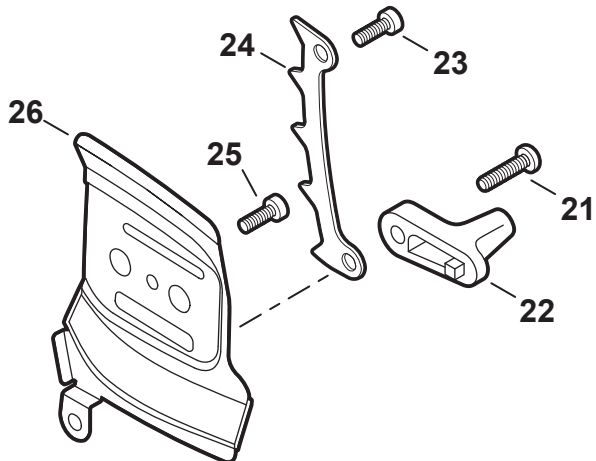
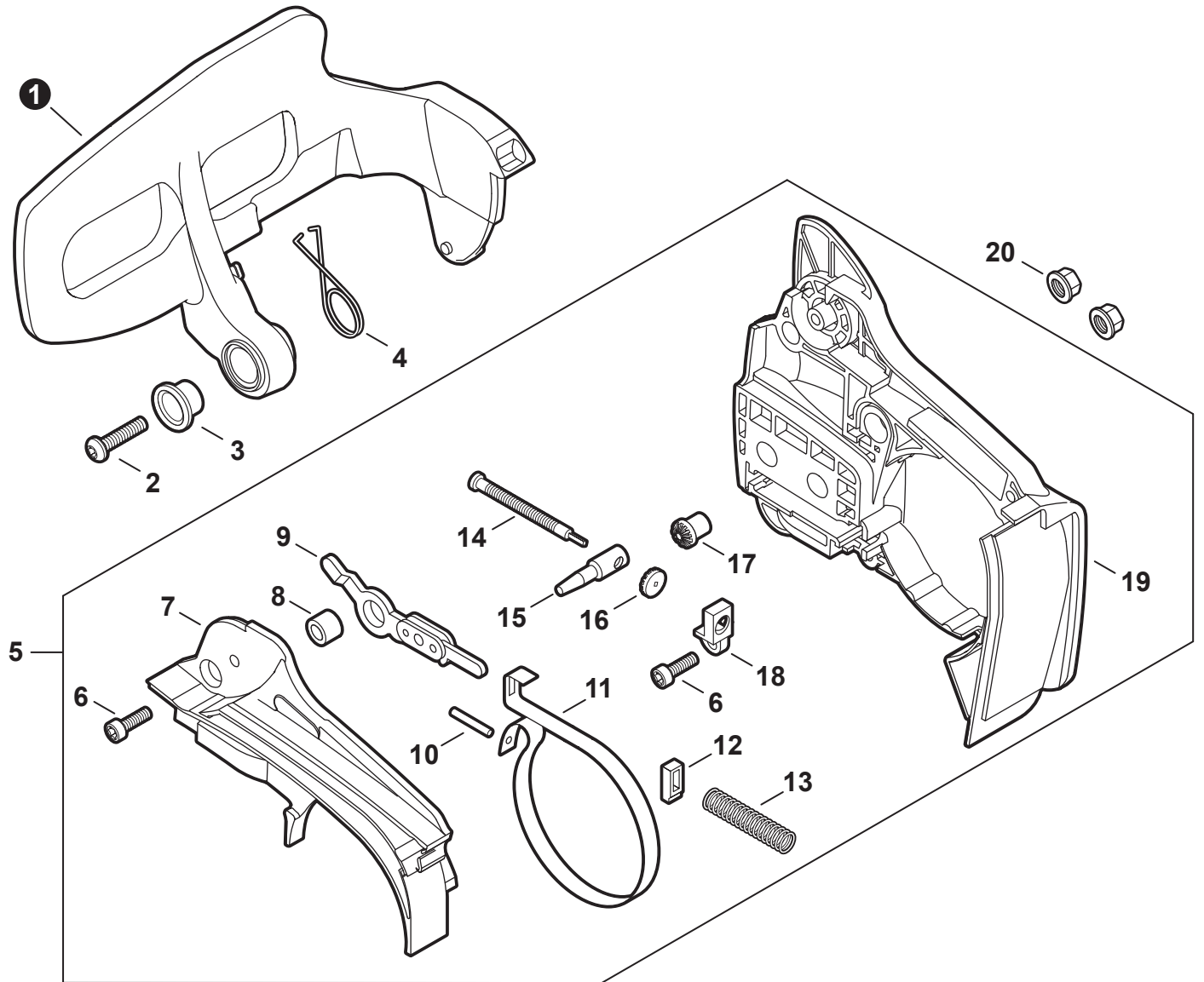
| NO. | PART NUMBER       | QTY. | DESCRIPTION                    | DESCRIPCIÓN                                     |
|-----|-------------------|------|--------------------------------|---|
| 1   | 12318139130       | 1    | BULB, PURGE                    | BULBO DE PURGA                                  |
| 2   | V471003400        | 1    | PIPE 2.4×5×180 - BLACK         | TUBO 2.4×5×180 NEGRO                            |
| 3   | V471003380        | 1    | PIPE 2.4×5×400 - BLACK         | TUBO 2.4×5×400 NEGRO                            |
| 4   | V186000530        | 2    | CONNECTOR, PIPE                | CONECTOR DE TUBO                                |
| 5   | 13211544330       | 1    | GROMMET, FUEL                  | OJAL DE COMBUSTIBLE                             |
| 6   | V471003390        | 1    | PIPE 2.4×5×15 - BLACK          | TUBO 2.4×5×15 NEGRO                             |
| 7   | V471004150        | 1    | PIPE 3×5×265 - BLACK           | TUBO 3×5×265 NEGRO                              |
| 8   | V471002290        | 1    | PIPE 3×5×140 - BLACK           | TUBO 3×5×140 NEGRO                              |
| 9   | V490001240        | 1    | CLIP Ø6                        | SUJETADOR Ø6                                    |
| 10  | A369000470        | 1    | FILTER, FUEL                   | FILTRO DE COMBUSTIBLE                           |
| 11  | V137000000        | 1    | GROMMET, FUEL                  | OJAL DE COMBUSTIBLE                             |
| 12  | 13130056431       | 1    | VENT ASSY                      | VÁLVULA DE RESPIRADERO                          |
| 13  | <b>P021038080</b> | 1    | <b>CAP ASSY, FUEL - ORANGE</b> | <b>MONTAJE DE TAPA DE COMBUSTIBLE - NARANJA</b> |
| 14  | V581000590        | 1    | +O-RING                        | +JUNTA TÓRICA                                   |
| 15  | A365000050        | 1    | +CONNECTOR, CAP L= 60 MM       | +CONECTOR DE TAPA L= 60 MM                      |
| 16  | <b>90144Y</b>     | 1    | <b>TUNE-UP KIT - YOUCAN™</b>   | <b>JUEGO DE PUESTA A PUNTO - YOUCAN™</b>        |



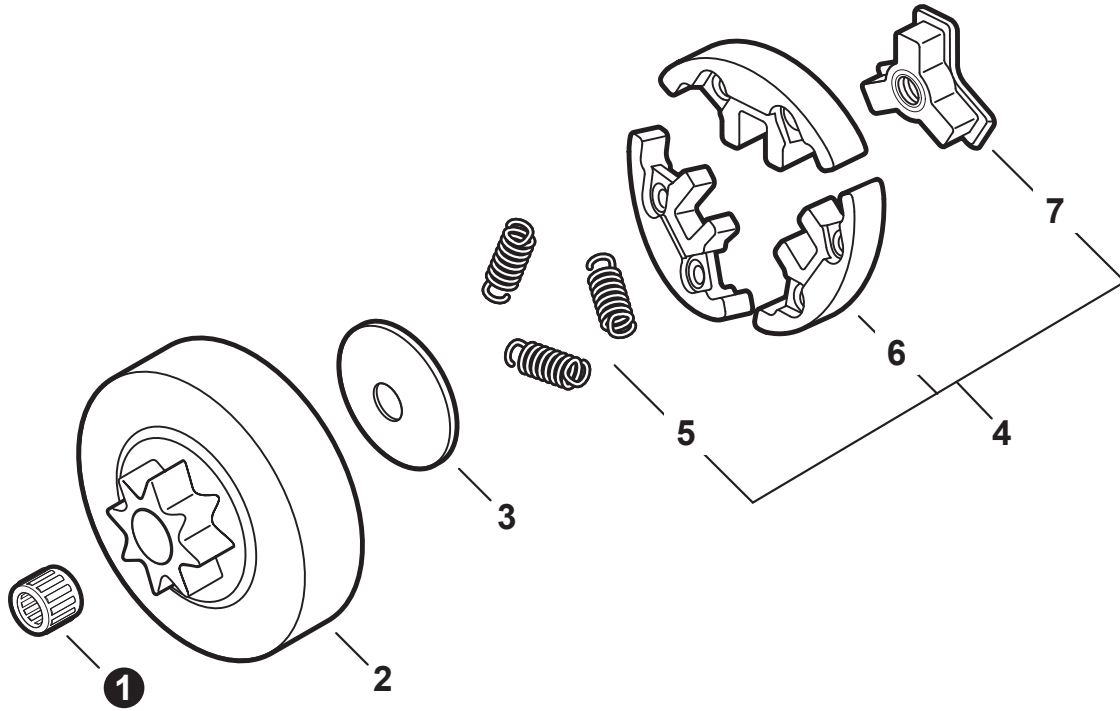
| NO. | PART NUMBER       | QTY. | DESCRIPTION              | DESCRIPCIÓN                             |
|-----|-------------------|------|--------------------------|---|
| 1   | V187000010        | 1    | CONNECTOR, PIPE          | CONECTOR DE TUBO                        |
| 2   | 13201211960       | 1    | PIPE, 3×6×45 BLACK       | TUBO 3×6×45 NEGRO                       |
| 3   | <b>P021033920</b> | 1    | <b>AUTO-OILER ASSY</b>   | <b>MONTAJE DE ENGRASADOR AUTOMÁTICO</b> |
| 4   | C022000080        | 1    | +AUTO-OILER              | +ENGRASADOR AUTOMÁTICO                  |
| 5   | V308000030        | 1    | +WASHER 10.5×17.4×1.8    | +ARANDELA 10.5×17.4×1.8                 |
| 6   | V652000030        | 1    | +GEAR, WORM              | +ENGRANAJE DE TORNILLO SIN FIN          |
| 7   | V356000290        | 1    | +COLLAR 10               | +COLLAR 10                              |
| 8   | V804000050        | 2    | BOLT, TORX 4×12          | PERNO TORX 4×12                         |
| 9   | V490001230        | 1    | CLIP Ø6.5 MM             | SUJETADOR Ø6.5 MM                       |
| 10  | V471000740        | 1    | PIPE 3×6×160             | TUBO 3×6×160                            |
| 11  | 13211501461       | 1    | GROMMET                  | OJAL                                    |
| 12  | 43620502832       | 1    | FILTER, OIL              | FILTRO DE ACEITE                        |
| 13  | A127000371        | 1    | COVER, DUST              | CUBIERTA ANTIPOLVO                      |
| 14  | 90072400004       | 1    | O-RING S-4               | JUNTA TÓRICA S-4                        |
| 15  | 43611413930       | 1    | VENT ASSY                | VÁLVULA DE RESPIRADERO                  |
| 16  | <b>P021005581</b> | 1    | <b>CAP ASSY - BLACK</b>  | <b>MONTAJE DE TAPA NEGRO</b>            |
| 17  | 90072000018       | 1    | +O-RING 18               | +JUNTA TÓRICA 18                        |
| 18  | A365000050        | 1    | +CONNECTOR, CAP L= 60 MM | +CONECTOR DE TAPA L= 60 MM              |



| NO. | PART NUMBER | QTY. | DESCRIPTION             | DESCRIPCIÓN                |
|-----|-------------|------|-------------------------|----------------------------|
| 1   | P021041820  | 1    | HANDLE SET, REAR        | JUEGO DE MANGO TRASERO     |
| 2   | 13002033330 | 2    | +NUT                    | +TUERCA                    |
| 3   | V804000010  | 4    | +BOLT, TORX 4x16        | +PERNO TORX 4x16           |
| 4   | V805000010  | 1    | BOLT, TORX 5x20         | PERNO TORX 5x20            |
| 5   | A240000200  | 1    | ROD, CHOKE              | VARILLA ESTRANGULADOR      |
| 6   | A253000090  | 1    | LEVER, CONTROL          | PALANCA DE CONTROL         |
| 7   | V452000010  | 1    | SPRING, TORSION         | RESORTE DE TORSIÓN         |
| 8   | C450000731  | 1    | TRIGGER, THROTTLE       | GATILLO DEL ACELERADOR     |
| 9   | C454000491  | 1    | ROD, THROTTLE           | VARILLA ACELERADOR         |
| 10  | C460000002  | 1    | LOCKOUT, THROTTLE       | SEGURO DEL ACELERADOR      |
| 11  | V486000371  | 1    | TERMINAL, GROUND        | TERMINAL A TIERRA          |
| 12  | V485002441  | 1    | LEAD - GROUND           | CABLE DE TIERRA            |
| 13  | V400000070  | 3    | CUSHION 4               | AMORTIGUADOR 4             |
| 14  | V202000000  | 3    | BOLT 4x12               | PERNO 4x12                 |
| 15  | 10091815130 | 4    | CAP, CUSHION            | TAPA DE AMORTIGUADOR       |
| 16  | C401000320  | 1    | SUPPORT, HANDLE - LARGE | SOPORTE DE MANGO - GRANDE  |
| 17  | C401000300  | 1    | SUPPORT, HANDLE - SMALL | SOPORTE DE MANGO - PEQUEÑO |
| 18  | C401000310  | 1    | PLUG                    | TAPÓN                      |
| 19  | V470001910  | 1    | PIPE, PULSE 3x7x80      | TUBO DE PULSO 3x7x80       |
| 20  | 10091018830 | 1    | CUSHION                 | AMORTIGUADOR               |
| 21  | V805000140  | 1    | BOLT, TORX 5x12         | PERNO TORX 5x12            |
| 22  | C626000070  | 1    | BRACKET, STRAP          | ABRAZADERA - CORREA        |
| 23  | C646000100  | 1    | RING, HARNESS           | ANILLO DEL ARNÉS           |
| 24  | A429000160  | 1    | COVER                   | TAPA                       |
| 25  | V805000010  | 1    | BOLT, TORX 5x20         | PERNO TORX 5x20            |
| 26  | A239000000  | 1    | BELLOWS, INTAKE         | FUELLE DE ADMISIÓN         |
| 27  | 9148104035  | 1    | SCREW, TAPPING 4x35     | TORNILLO ROSCADO 4x35      |
| 28  | V352000020  | 1    | COLLAR 4                | COLLAR 4                   |
| 29  | C400001150  | 1    | HANDLE, FRONT           | MANGO DELANTERO            |



| NO. | PART NUMBER       | QTY.     | DESCRIPTION              | DESCRIPCIÓN                       |
|-----|-------------------|----------|--------------------------|-----------------------------------|
| 1   | C320000501        | 1        | LEVER, BRAKE             | PALANCA DE FRENO                  |
| 2   | V805000240        | 1        | BOLT, TORX 5x12          | PERNO TORX 5x12                   |
| 3   | V356000430        | 1        | COLLAR 10                | COLLAR 10                         |
| 4   | V452001380        | 1        | SPRING, TORSION          | RESORTE DE TORSIÓN                |
| 5   | <b>P021048810</b> | <b>1</b> | <b>BRAKE ASSY, CHAIN</b> | <b>MONTAJE DE FRENO DE CADENA</b> |
| 6   | V804000000        | 4        | +BOLT, TORX 4x12         | +PERNO TORX 4x12                  |
| 7   | C345000520        | 1        | +COVER, BRAKE            | +CUBIERTA DE FRENO                |
| 8   | 43311635430       | 1        | +SPACER 8x12x9           | +ESPACIADOR 8x12x9                |
| 9   | C334000290        | 1        | +CONNECTOR, BRAKE        | +CONECTOR DE FRENO                |
| 10  | 9305030098        | 1        | +PIN, SPRING 3x9.8       | +PASADOR ELÁSTICO 3x9.8           |
| 11  | C328000310        | 1        | +BAND, BRAKE             | +BANDA DE FRENO                   |
| 12  | V376000450        | 1        | +GUIDE                   | +GUÍA                             |
| 13  | V450000070        | 1        | +SPRING, COMPRESSION     | +RESORTE DE COMPRESIÓN            |
| 14  | V203000041        | 1        | +BOLT 5                  | +PERNO 5                          |
| 15  | C309000030        | 1        | +TENSIONER, CHAIN        | +TENSOR DE CADENA                 |
| 16  | V651000011        | 1        | +GEAR, BEVEL             | +ENGRANAJE CÓNICO                 |
| 17  | V651000001        | 1        | +GEAR, BEVEL             | +ENGRANAJE CÓNICO                 |
| 18  | V355000140        | 1        | +COLLAR 8                | +COLLAR 8                         |
| 19  | C300000952        | 1        | +GUARD, SPROCKET         | +CUBIERTA DEL PIÑÓN               |
| 20  | V265000200        | 2        | NUT, FLANGE M8x1.25      | TUERCA-BRIDA M8x1.25              |
| 21  | V805000010        | 1        | BOLT, TORX 5x20          | PERNO TORX 5x20                   |
| 22  | 43302635430       | 1        | CHAIN CATCHER            | CAPTURADOR DE CADENA              |
| 23  | V805000010        | 1        | BOLT, TORX 5x20          | PERNO TORX 5x20                   |
| 24  | C304000000        | 1        | SPIKE, BUMPER            | PARAGOLPES CON PÚAS               |
| 25  | V804000000        | 1        | BOLT, TORX 4x12          | PERNO TORX 4x12                   |
| 26  | C305000430        | 1        | PLATE, GUIDE - INNER     | PLACA GUÍA - INTERNA              |



| NO. | PART NUMBER       | QTY. | DESCRIPTION              | DESCRIPCIÓN                               |
|-----|-------------------|------|--------------------------|---|
| 1   | V555000170        | 1    | BEARING, NEEDLE 10       | COJINETE DE AGUJAS 10                     |
| 2   | 17500539133       | 1    | DRUM, CLUTCH 3/8"        | TAMBOR EMBRAGUE 3/8"                      |
| 3   | A551000010        | 1    | PLATE, CLUTCH            | PLACA DE EMBRAGUE                         |
| 4   | <b>A056000071</b> | 1    | <b>CLUTCH ASSY</b>       | <b>MONTAJE DE EMBRAGUE</b>                |
| 5   | V451000470        | 3    | +SPRING, CLUTCH          | +RESORTE DEL EMBRAGUE                     |
| 6   | P021005810        | 1    | +SHOE SET, CLUTCH (3PCS) | +JUEGO DE ZAPATA DE EMBRAGUE (CANTIDAD 3) |
| 7   | A552000020        | 1    | +HUB, CLUTCH             | +CUBO DEL EMBRAGUE                        |



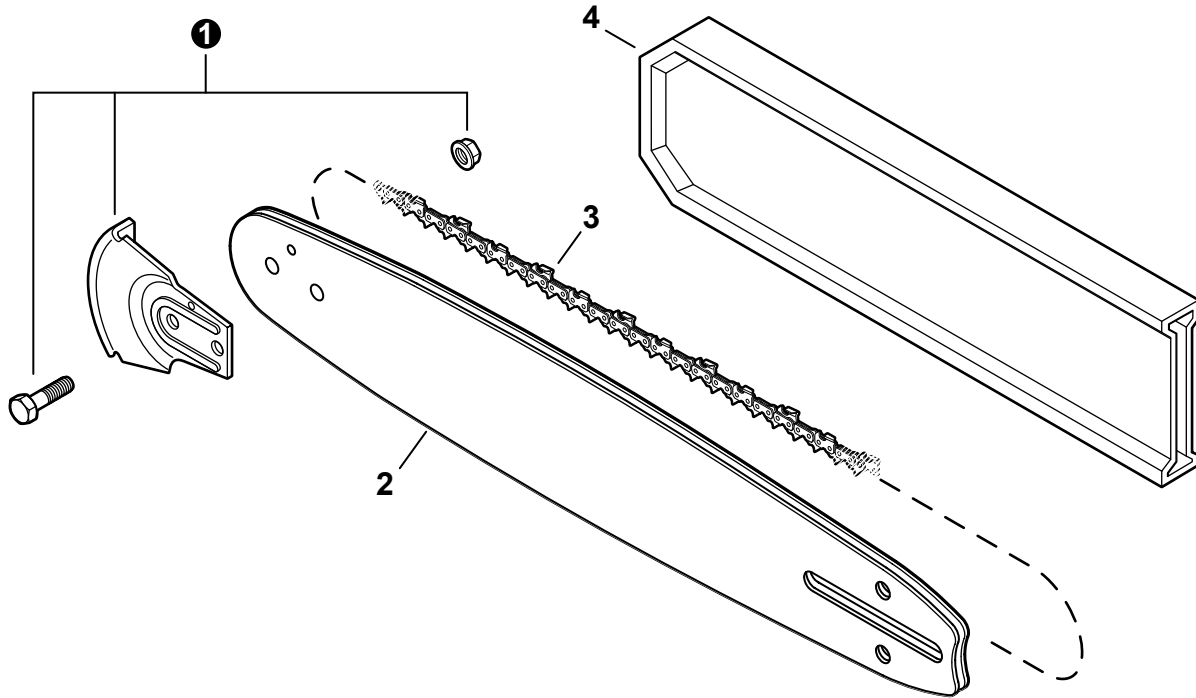


**REPLACEMENT BAR AND CHAIN**  
 GUIDE BAR PART NO. CHAIN PART NO.  
 12" 12A0ED3745 91PX45CQ  
 14" 14A0ED3752 91PX52CQ  
 16" 16A0ED3757 91PX57CQ  
 Note: There may be other replacement components for achieving kickback protection. For details, please refer to the bar and chain combination sheet shown in the instruction manual.

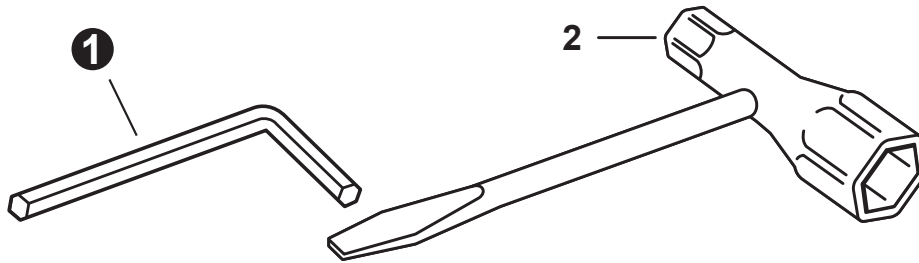
**REPLACEMENT BAR AND CHAIN**  
**REPLACEMENT DU GUIDE ET DE LA CHAÎNE**  
 GUIDE BAR P/NO. CHAIN P/NO. CKAwob, wb, cs  
 GUIDE PIECE NO. CHAÎNE PIECE NO.  
 12" 12A0ED3745 91PX45CQ 33.9, 31.4, 24.7  
 14" 14A0ED3752 91PX52CQ 32.6, 22.2, 20.2  
 16" 16A0ED3757 91PX57CQ 36.2, 25.7, 21.6  
 This saw shall be used only by certified tree service professionals.  
 Cette tronçonneuse doit être utilisée seulement par des professionnels de l'abattage.

**CANADA**

| NO. | PART NUMBER | QTY. | DESCRIPTION           | DESCRIPCIÓN                     |
|-----|-------------|------|-----------------------|---------------------------------|
| 1   | 89015737330 | 1    | LABEL, STOP           | ETIQUETA PARADA                 |
| 2   | X505006660  | 1    | LABEL, CAUTION        | ETIQUETA DE PRECAUCIÓN          |
| 3   | X502000410  | 1    | LABEL, ECHO           | ETIQUETA ECHO                   |
| 4   | X524004581  | 1    | LABEL, BAR & CHAIN    | ETIQUETA - BARRA Y CADENA       |
| 5   | X524004571  | 1    | LABEL, BAR & CHAIN    | ETIQUETA - BARRA Y CADENA       |
| 6   | X502000340  | 1    | LABEL, ECHO           | ETIQUETA ECHO                   |
| 7   | X503011080  | 1    | LABEL - MODEL CS-355T | ETIQUETA MODELO CS-355T         |
| 8   | X505002310  | 1    | LABEL, CAUTION - HOT  | ETIQUETA DE PRECAUCIÓN CALIENTE |



| NO. | PART NUMBER | QTY. | DESCRIPTION    | DESCRIPCIÓN                   |
|-----|-------------|------|----------------|-------------------------------|
| 1   | 2894902     | 1    | KICK GUARD KIT | PROTECTORAS DE PUNTA DE BARRA |
| 2   | 12A0ED3745C | 1    | GUIDE BAR, 12" | BARRA DE GUÍA 30 CM           |
| 2   | 14A0ES3752C | 1    | GUIDE BAR, 14" | BARRA DE GUÍA 35 CM           |
| 2   | 16A0ES3757C | 1    | GUIDE BAR, 16" | BARRA DE GUÍA 40 CM           |
| 3   | 91PX45CQ    | 1    | SAW CHAIN 12"  | CADENA 30 CM                  |
| 3   | 91PXL45CQ   | 1    | SAW CHAIN 12"  | CADENA 30 CM                  |
| 3   | 91PXL52CQ   | 1    | SAW CHAIN 14"  | CADENA 35 CM                  |
| 3   | 91PXL57CQ   | 1    | SAW CHAIN 16"  | CADENA 40 CM                  |
| 4   | X490000050  | 1    | SCABBARD 12"   | FUNDA 30 CM                   |
| 4   | X490000220  | 1    | SCABBARD 14"   | FUNDA 35 CM                   |
| 4   | X490000730  | 1    | SCABBARD 16"   | FUNDA 40 CM                   |



| NO. | PART NUMBER | QTY. | DESCRIPTION           | DESCRIPCIÓN             |
|-----|-------------|------|-----------------------|-------------------------|
| 1   | X605000170  | 1    | WRENCH, ALLEN         | LLAVE ALLEN             |
| 2   | X602000080  | 1    | T-WRENCH 13×19 L= 180 | LLAVE EN T 13×19 L= 180 |

**Maintenance Kits**  
Juegos de mantenimiento

| NO. | PART NUMBER | QTY. | DESCRIPTION           | DESCRIPCIÓN                       |
|-----|-------------|------|-----------------------|-----------------------------------|
| 1   | 90144Y      | 1    | TUNE-UP KIT - YOUCAN™ | JUEGO DE PUESTA A PUNTO - YOUCAN™ |
| 2   | A226001661  | 1    | +FILTER, AIR          | +FILTRO DE AIRE                   |
| 3   | A425000000  | 1    | +SPARK PLUG - BPMR8Y  | +BUJÍA - BPMR8Y                   |
| 4   | A369000470  | 1    | +FILTER, FUEL         | +FILTRO DE COMBUSTIBLE            |

**Bulk Pipe**  
Tubo al por mayor

| NO. | PART NUMBER | QTY. | DESCRIPTION                             | DESCRIPCIÓN  |
|-----|-------------|------|---|--|
| 1   | 90014       | 1    | BULK PIPE - 3×5 MM BLACK (4 PIECES×2 M) | TUBO AL POR MAYOR 3×5 MM NEGRO (4 PIEZAS×2 M)        |
| 2   | 90015       | 1    | BULK PIPE - 3×6 MM BLACK (4 PIECES×2 M) | TUBO AL POR MAYOR 3×6 MM NEGRO (4 PIEZAS×2 M)        |
| 3   | 90016       | 1    | BULK PIPE - 3×7 MM BLACK (4 PIECES×2 M) | TUBO AL POR MAYOR 3×7 MM NEGRO (4 PIEZAS×2 M)        |
| 4   | 90017       | 1    | BULK PIPE - 3×6 MM CLEAR (4 PIECES×2 M) | TUBO AL POR MAYOR 3×6 MM TRANSPARENTE (4 PIEZAS×2 M) |
| 5   | 90018       | 1    | BULK PIPE - 2×4 MM CLEAR (4 PIECES×2 M) | TUBO AL POR MAYOR 2×4 MM TRANSPARENTE (4 PIEZAS×2 M) |

**Bulk Starter Rope**  
Cuerda del arrancador al por mayor

| NO. | PART NUMBER | QTY. | DESCRIPTION                       | DESCRIPCIÓN                                      |
|-----|-------------|------|-----------------------------------|--|
| 1   | 99944435000 | 1    | BULK STARTER ROPE - Ø 2.3 MM×61 M | CUERDA DEL ARRANCADOR AL POR MAYOR Ø 2.3 MM×61 M |
| 2   | 99944440000 | 1    | BULK STARTER ROPE - Ø 3.0 MM×61 M | CUERDA DEL ARRANCADOR AL POR MAYOR Ø 3.0 MM×61 M |
| 3   | 99944445000 | 1    | BULK STARTER ROPE - Ø 3.5 MM×61 M | CUERDA DEL ARRANCADOR AL POR MAYOR Ø 3.5 MM×61 M |
| 4   | 99944450000 | 1    | BULK STARTER ROPE - Ø 4.0 MM×61 M | CUERDA DEL ARRANCADOR AL POR MAYOR Ø 4.0 MM×61 M |
| 5   | 99944455000 | 1    | BULK STARTER ROPE - Ø 4.4 MM×61 M | CUERDA DEL ARRANCADOR AL POR MAYOR Ø 4.4 MM×61 M |
| 6   | 99944460000 | 1    | BULK STARTER ROPE - Ø 4.8 MM×61 M | CUERDA DEL ARRANCADOR AL POR MAYOR Ø 4.8 MM×61 M |