



Accessories for ECHO products can be found at:
Los accesorios para los productos ECHO se pueden encontrar en:
<http://www.echo-usa.com/Products/Accessories>

PARTS CATALOG
LISTA DE PIEZAS

DSRM-2100

Grass Trimmer

DSRM-2100

Cortahierba



SERIAL NUMBER
NÚMERO DE SERIE

400SRM000001 - 400SRM999999

ECHO Incorporated

400 Oakwood Road, Lake Zurich, Illinois 60047

WWW.ECHO-USA.COM

©2024 ECHO Incorporated. All Rights Reserved

P/N 99922205787
REVISED 08/24/24

Rear Housing 3
Carcasa trasera

Control Handle..... 4
Mango de Control

Handle - Support..... 5
Mango de soporte

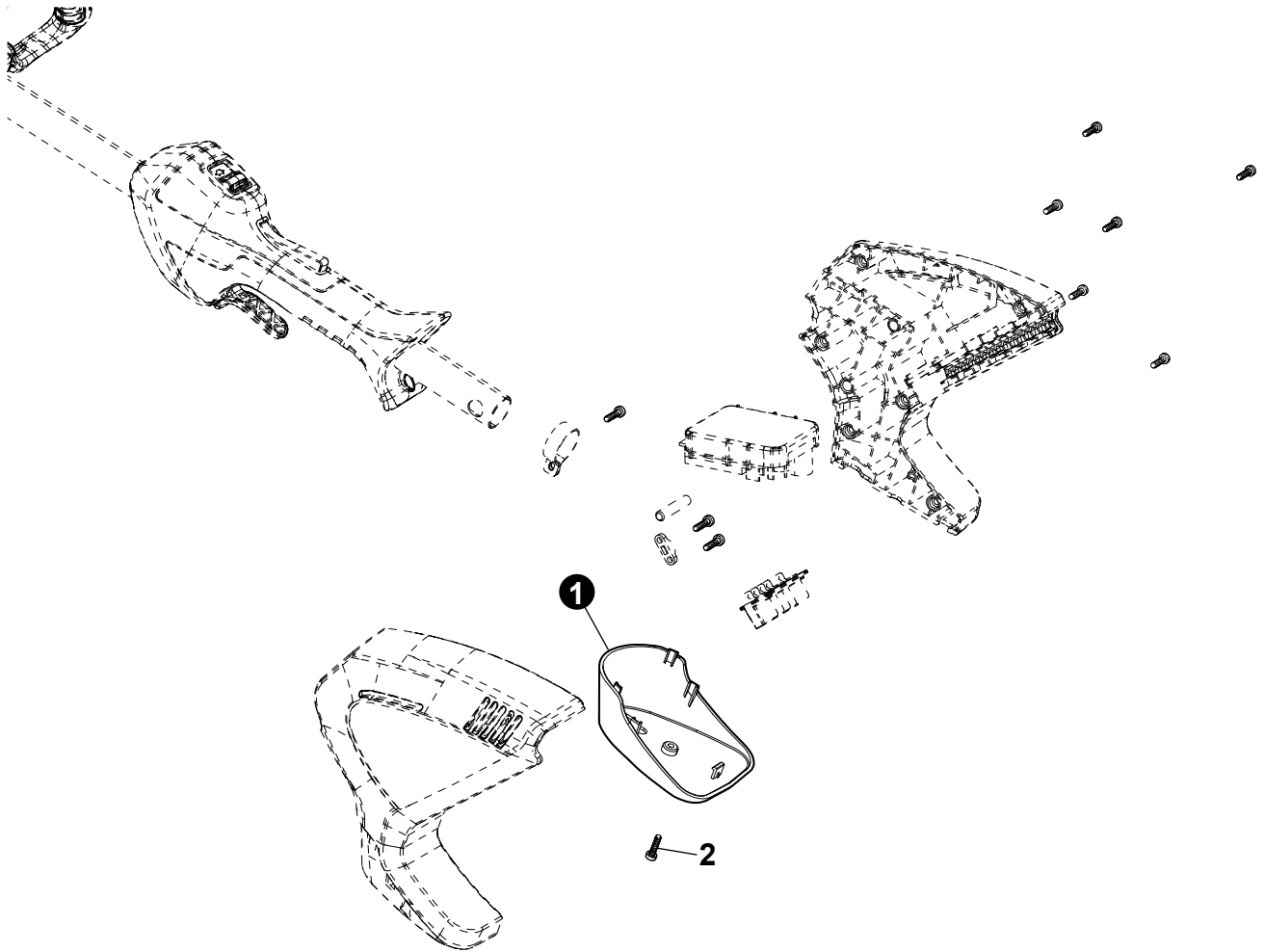
Debris Shield..... 6
Protector contra residuos

Trimmer Head Mounting 7
Montaje del cabezal de corte

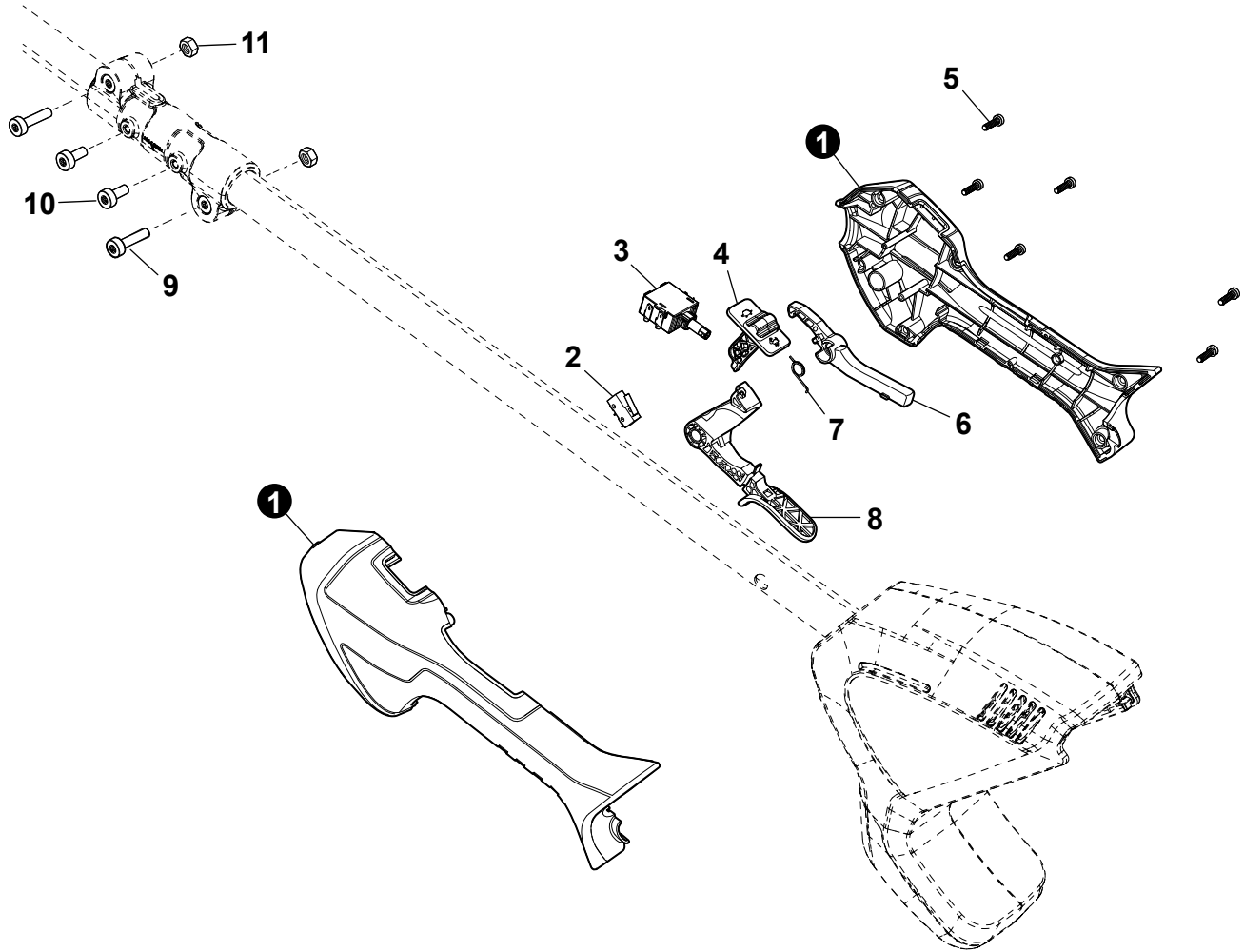
Trimmer Head..... 8
Cabezal de corte

Accessories..... 8
Accesorios

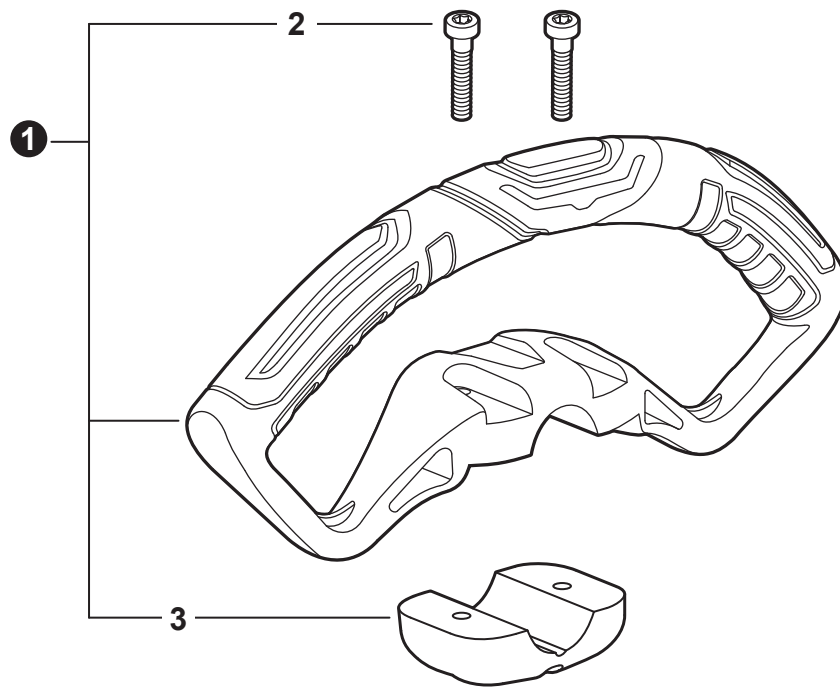
Labels..... 9
Etiquetas



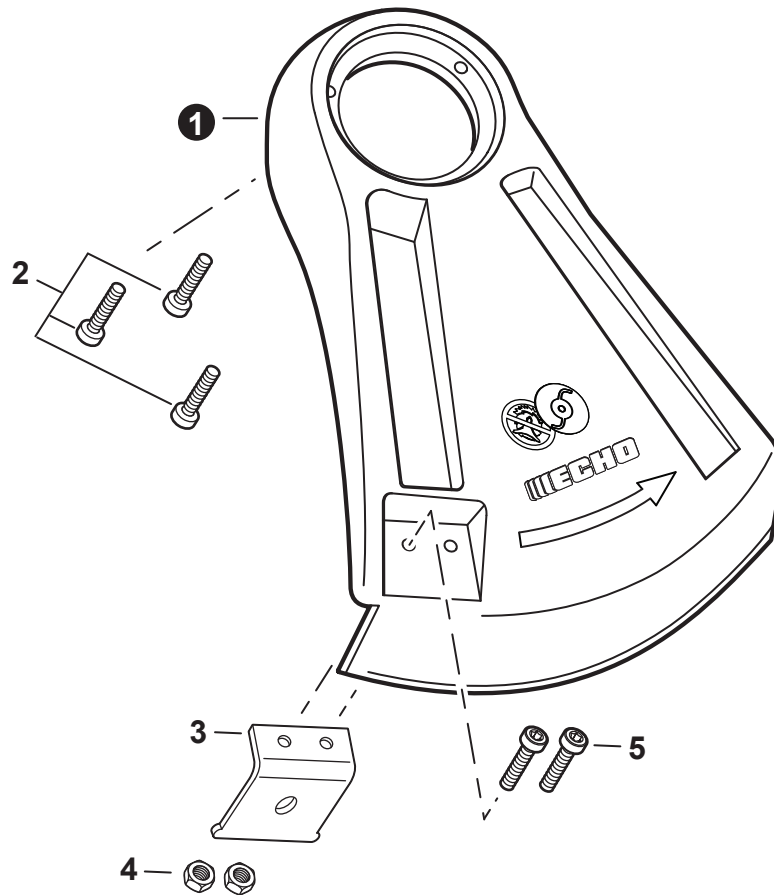
NO.	PART NUMBER	QTY.	DESCRIPTION	DESCRIPCIÓN
1	YH479002680	1	BASE	BASE
2	YH415001030	10	SCREW	TORNILLO



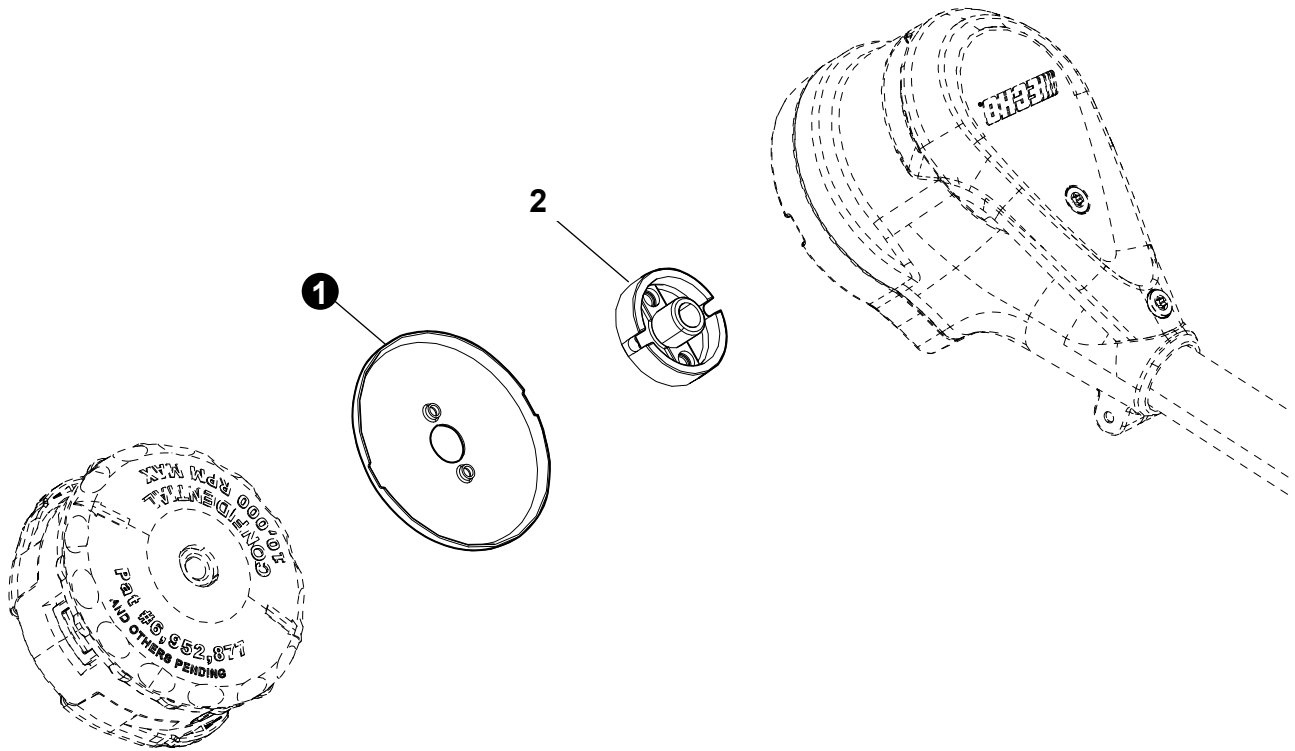
NO.	PART NUMBER	QTY.	DESCRIPTION	DESCRIPCIÓN
1	YH466000600	1	HANDLE ASSY	CONJUNTO DEL ASA
2	YH321000340	1	SWITCH, MICRO	INTERRUPTOR, MICRO
3	YH321000330	1	SWITCH, SPEED CONTROL	INTERRUPTOR, CONTROL DE VELOCIDAD
4	YH470001100	1	KNOB, SWITCH	MANDO, INTERRUPTOR
5	YH415001030	6	SCREW	TORNILLO
6	YH470001120	1	LEVER, INTERLOCK	PALANCA, INTERBLOQUEO
7	YH476000340	1	SPRING, TORSION	MUELLE, TORSIÓN
8	YH321000320	1	TRIGGER	GATILLO
9	V806000020	2	TORX BOLT 6x25	PERNO TORX 6x25
10	V805000240	2	TORX BOLT 5	PERNO TORX 5
11	90051400006	2	NUT	TUERCA



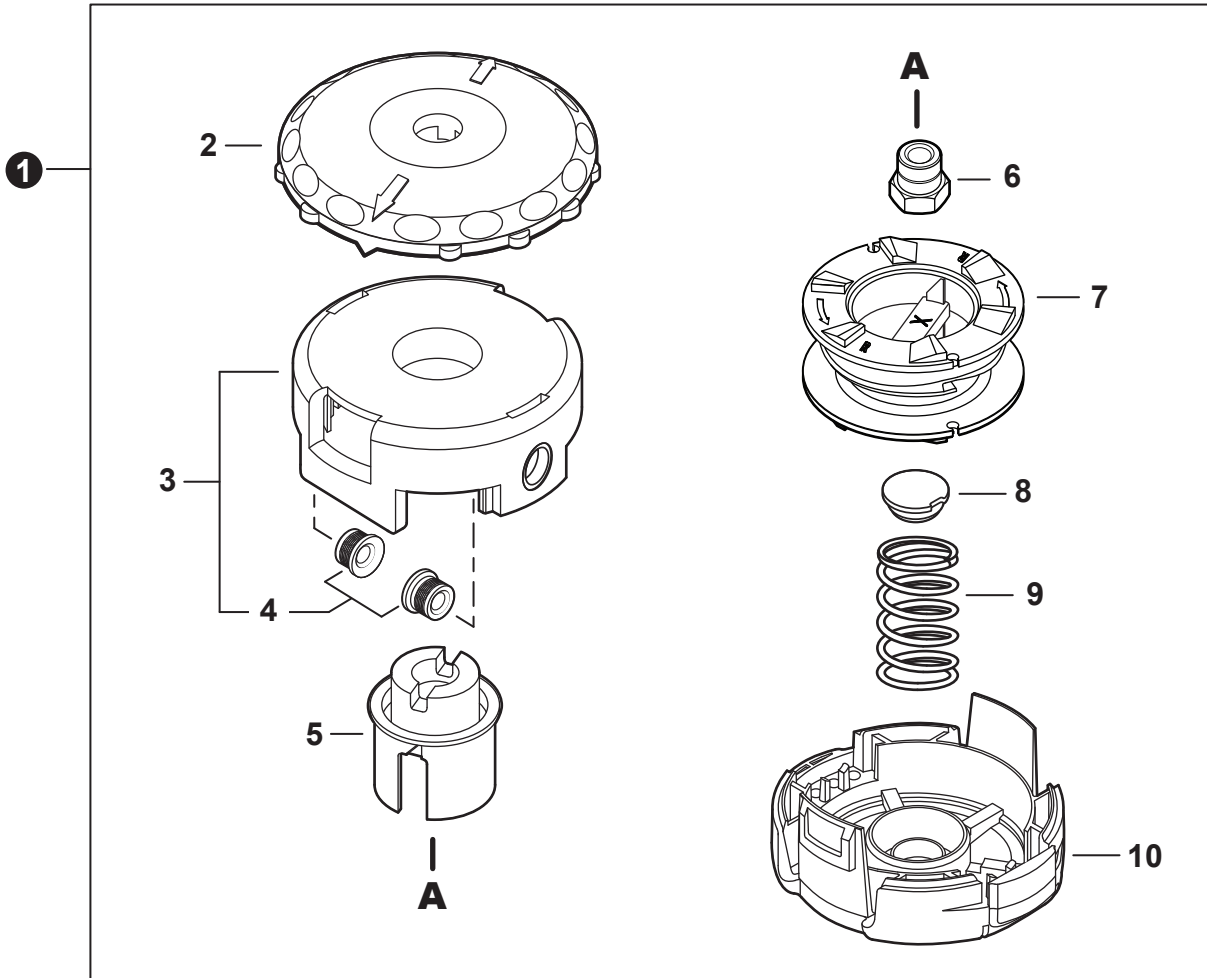
NO.	PART NUMBER	QTY.	DESCRIPTION	DESCRIPCIÓN
1	P021049580	1	HANDLE ASSY, SUPPORT	MONTAJE DE MANGO DE SOPORTE
2	V805000050	2	+BOLT, TORX 5x30	+PERNO TORX 5x30
3	C423001010	1	+BRACKET, HANDLE	+SOPORTE DE MANGO



NO.	PART NUMBER	QTY.	DESCRIPTION	DESCRIPCIÓN
1	YH479002700	1	SHIELD, DEBRIS	PROTECCIÓN, RESIDUOS
2	YH415001030	3	SCREW	TORNILLO
3	C554000080	1	CUTTER, LINE	COUPEAU-LIGNE
4	V835000010	2	BOLT, TORX 5x12	BOULON TORX 5x12
5	V263000540	2	NUT M5	ÉCROU M5



NO.	PART NUMBER	QTY.	DESCRIPTION	DESCRIPCIÓN
1	YH475000260	1	PLATE	PLATO
2	YH456000080	1	ADAPTOR	ADAPTADOR

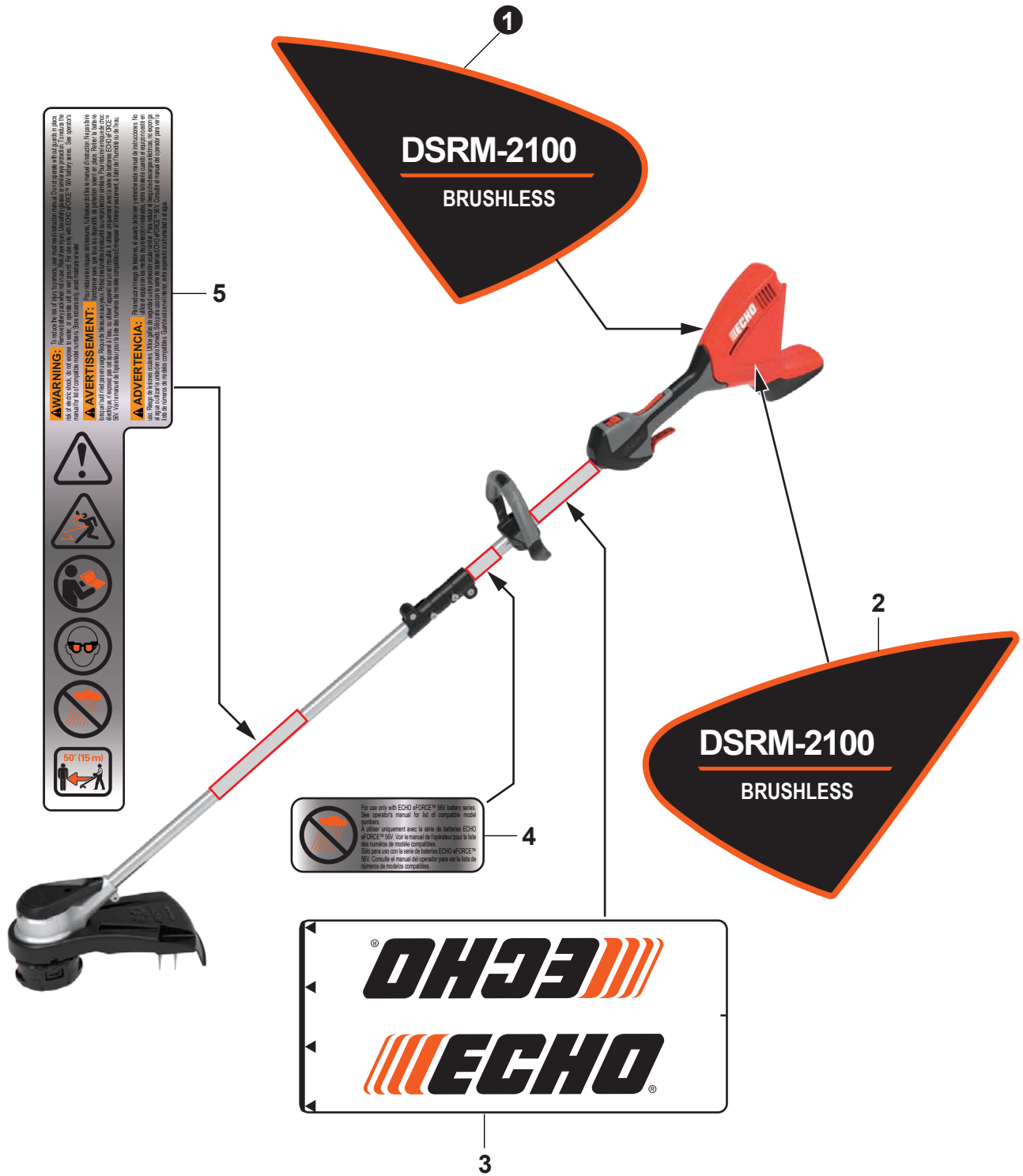


NO.	PART NUMBER	QTY.	DESCRIPTION	NOM DE LA PIÈCE
1	99944200907	1	TRIMMER HEAD, SPEED-FEED® 400	TÊTE DE COUPE SPEED-FEED® 400
2	E415000180	1	+KNOB	+BOUTON
3	X470000330	1	+HOUSING ASSY, SPOOL	+CORPS DE BOBINE COMPLET
4	X475000110	2	+EYELET	+OEILLET
5	X476000040	1	+HUB (LH) BLACK	+MOYEU (LH) NOIR
6	V160000150	1	+BUSHING M10x1.25 LH GOLD	+BAGUE M10x1.25 LH OR
7	X473000130	1	+SPOOL	+BOBINE
8	V494000840	1	+CAP, SPRING	+BOUCHON DE RESSORT
9	V450001880	1	+SPRING, GOLD	+RESSORT OR
10	X472000070	1	+COVER, SPOOL	+COUVERCLE DE BOBINE

Accessories

Accesorios

NO.	PART NUMBER	QTY.	DESCRIPTION	NOM DE LA PIÈCE
1	LC-56V2AAB	1	CHARGER, BATTERY STANDARD 56V	CHARGEUR DE BATTERIE STANDARD 56V
2	LC-56V4AAB	1	CHARGER, BATTERY RAPID 56V	CHARGEUR DE BATTERIE RAPIDE 56V
3	LBP-56V125A	1	BATTERY, 56V LITHIUM-ION - 2.5Ah	BATTERIE, LITHIUM-ION 56V - 2.5Ah
4	LBP-56V250A	1	BATTERY, 56V LITHIUM-ION - 5.0Ah	BATTERIE, LITHIUM-ION 56V - 5.0Ah



NO.	PART NUMBER	QTY.	DESCRIPTION	DESCRIPCIÓN
1	YH653001390	1	LABEL,RIGHT HOUSING WITH MODEL NUMBER	ETIQUETA,CARCASA DERECHA CON NUMERO DE MODELO
2	YH653001380	1	LABEL,LEFT HOUSING WITH MODEL NUMBER	ETIQUETA,CARCASA IZQUIERDA CON NUMERO DE MODELO
3	YH653001420	1	LABEL,MAIN PIPE	ETIQUETA,TUBO PRINCIPAL
4	YH653001410	1	LABEL,RAIN	ETIQUETA,LLUVIA
5	YH653001370	1	LABEL,WARNING	ETIQUETA,ADVERTENCIA