



Accessories for ECHO products can be found at:
Los accesorios para los productos ECHO se pueden encontrar en:
<http://www.echo-usa.com/Products/Accessories>



PARTS CATALOG
LISTA DE PIEZAS

HC-155
Hedge Trimmer
HC-155 Cortaseto



21.2 cc

SERIAL NUMBER
NÚMERO DE SERIE

U07915001001 - U07915999999

ECHO, INCORPORATED

400 Oakwood Road, Lake Zurich, Illinois 60047

WWW.ECHO-USA.COM

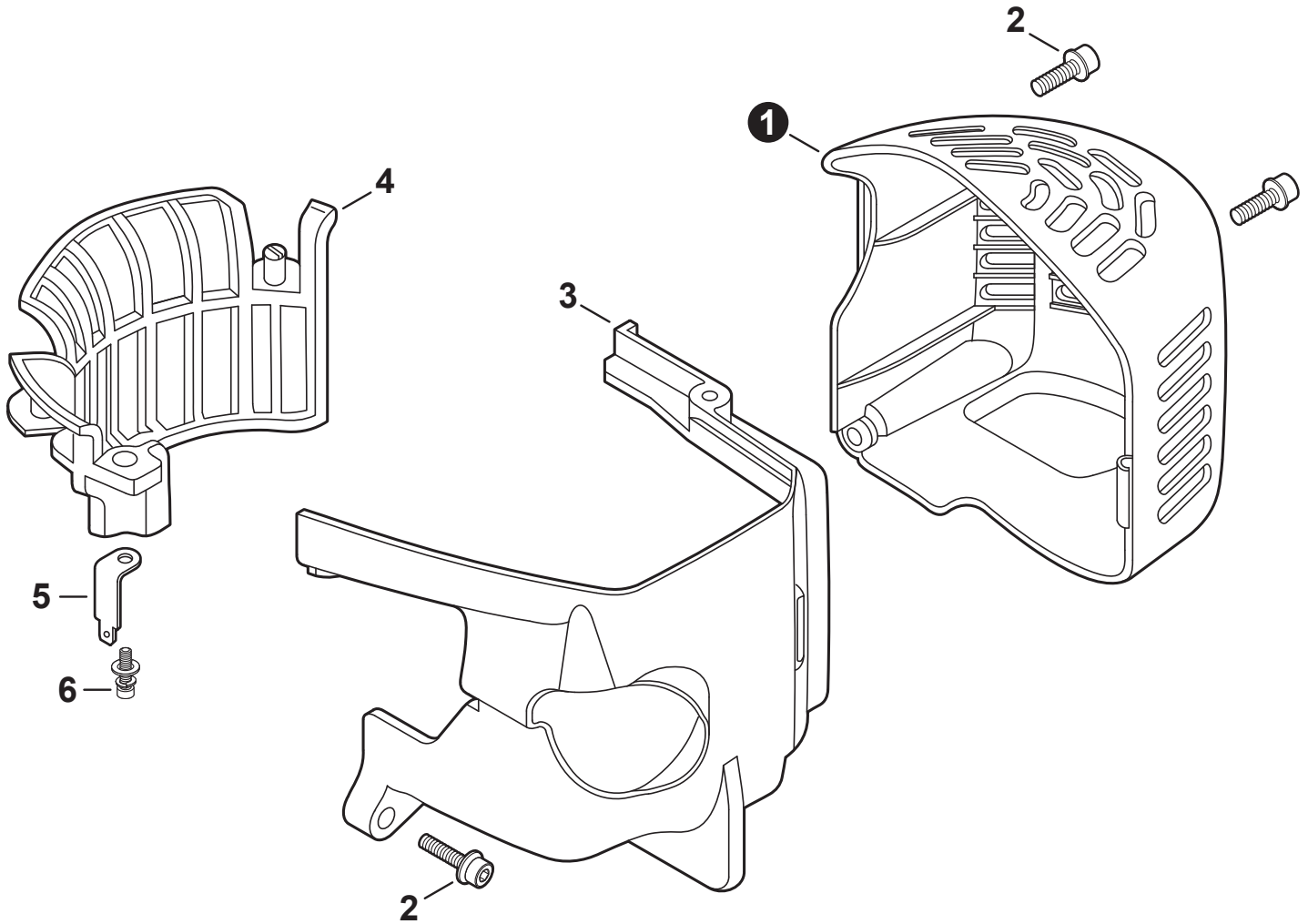
©2017 ECHO, Incorporated. All Rights Reserved

P/N 99922205242
REVISED 01/01/20

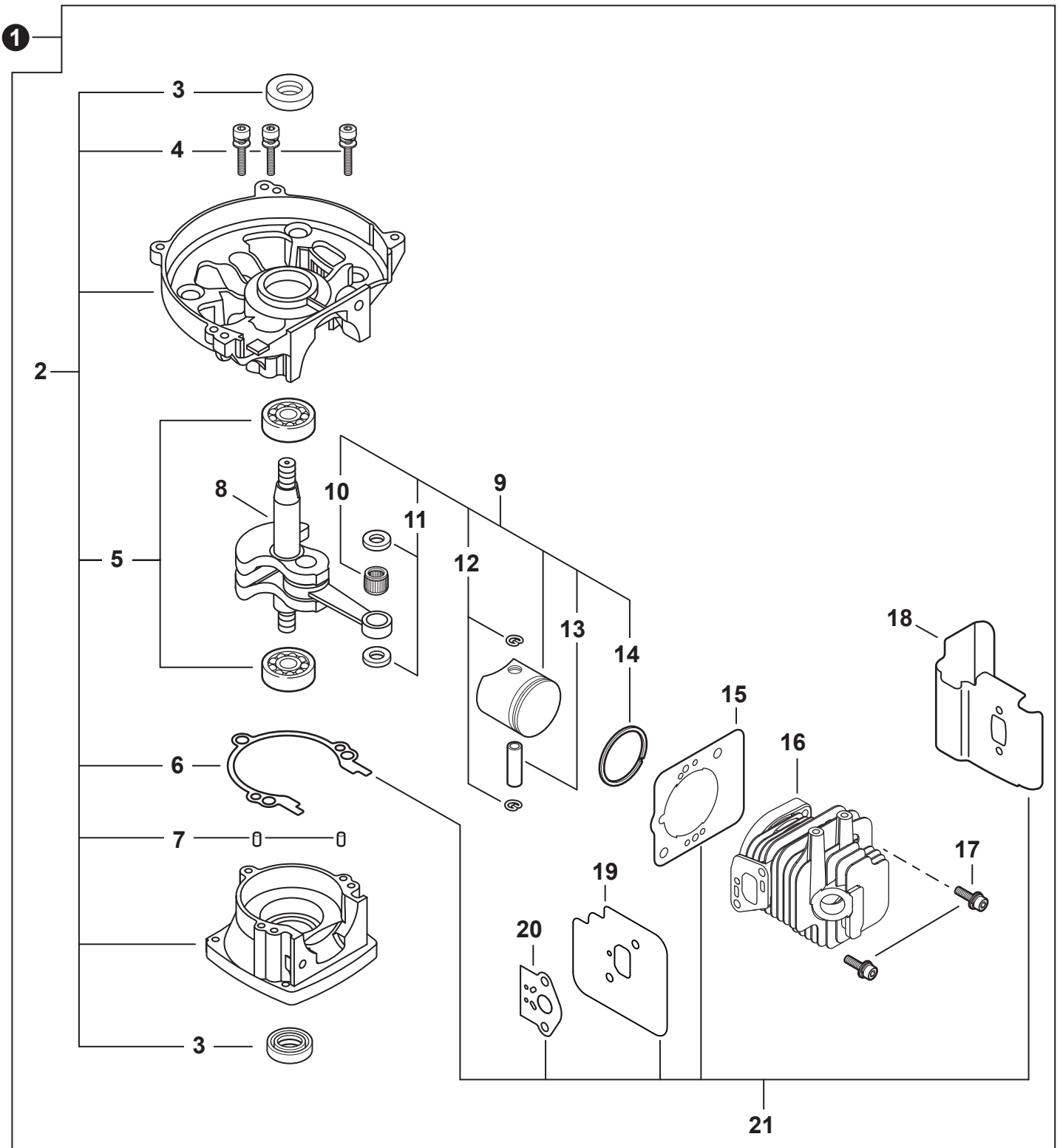
Table of Contents

Tabla de contenido

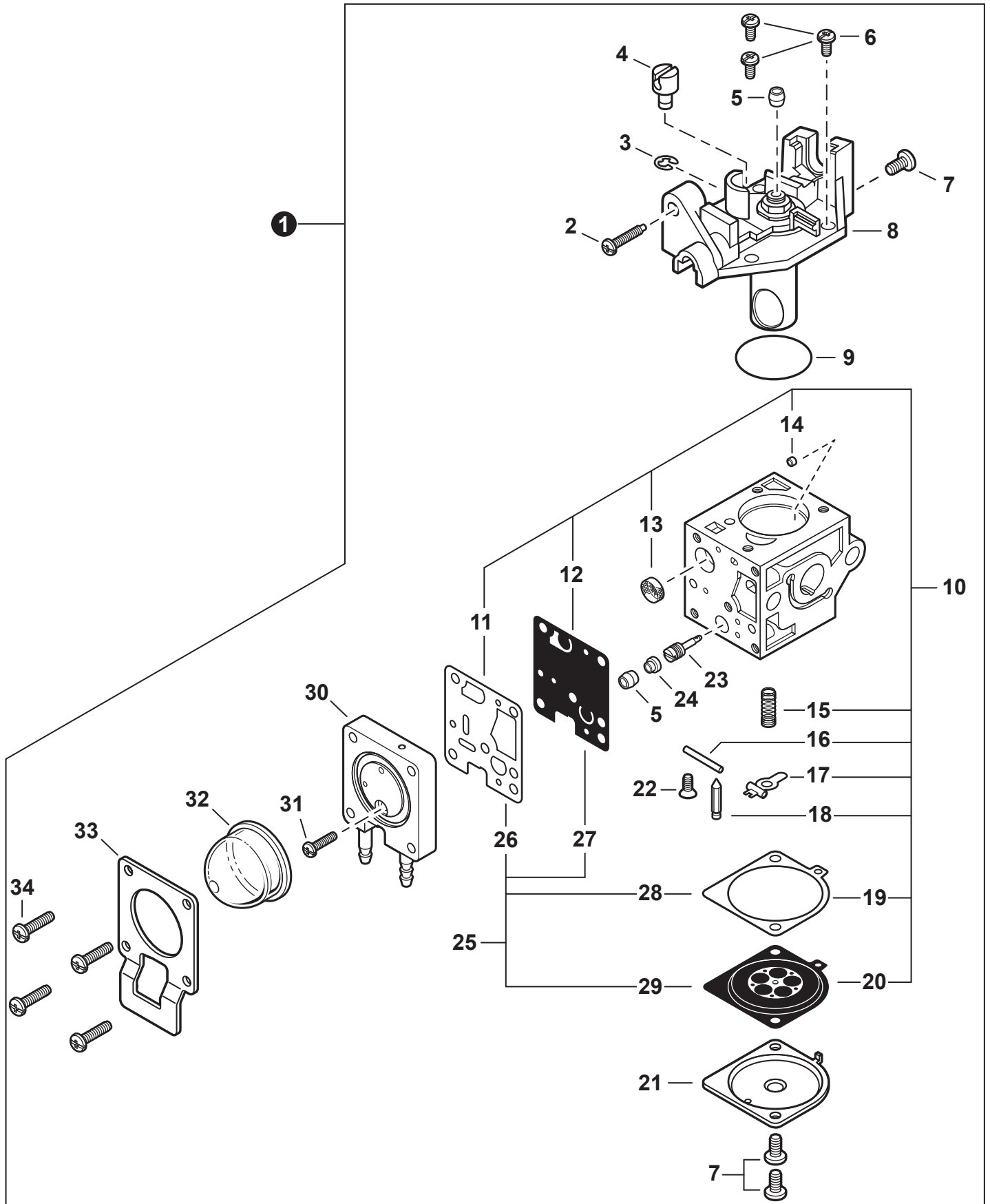
| | |
|---|-----------|
| Engine Cover, Muffler Cover | 3 |
| Cubierta de motor, Cubierta del silenciador | |
| Engine | 4 |
| Motor | |
| Engine | 5 |
| Motor | |
| Carburetor | 6 |
| Carburador | |
| Carburetor | 7 |
| Carburador | |
| Intake | 8 |
| Admisión | |
| Exhaust | 9 |
| Escape | |
| Ignition | 10 |
| Encendido | |
| Starter | 11 |
| Arrancador autorretráctil | |
| Fuel System | 12 |
| Sistema de combustible | |
| Clutch | 13 |
| Embrague | |
| Handle - Rear | 14 |
| Mango trasero | |
| Labels | 15 |
| Etiquetas | |
| Cutting Head | 16 |
| Cabezal de corte | |
| Cutting Head | 17 |
| Cabezal de corte | |
| Maintenance Kits | 18 |
| Juegos de mantenimiento | |
| Bulk Pipe | 18 |
| Tubo al por mayor | |
| Bulk Starter Rope | 18 |
| Cuerda del arrancador al por mayor | |



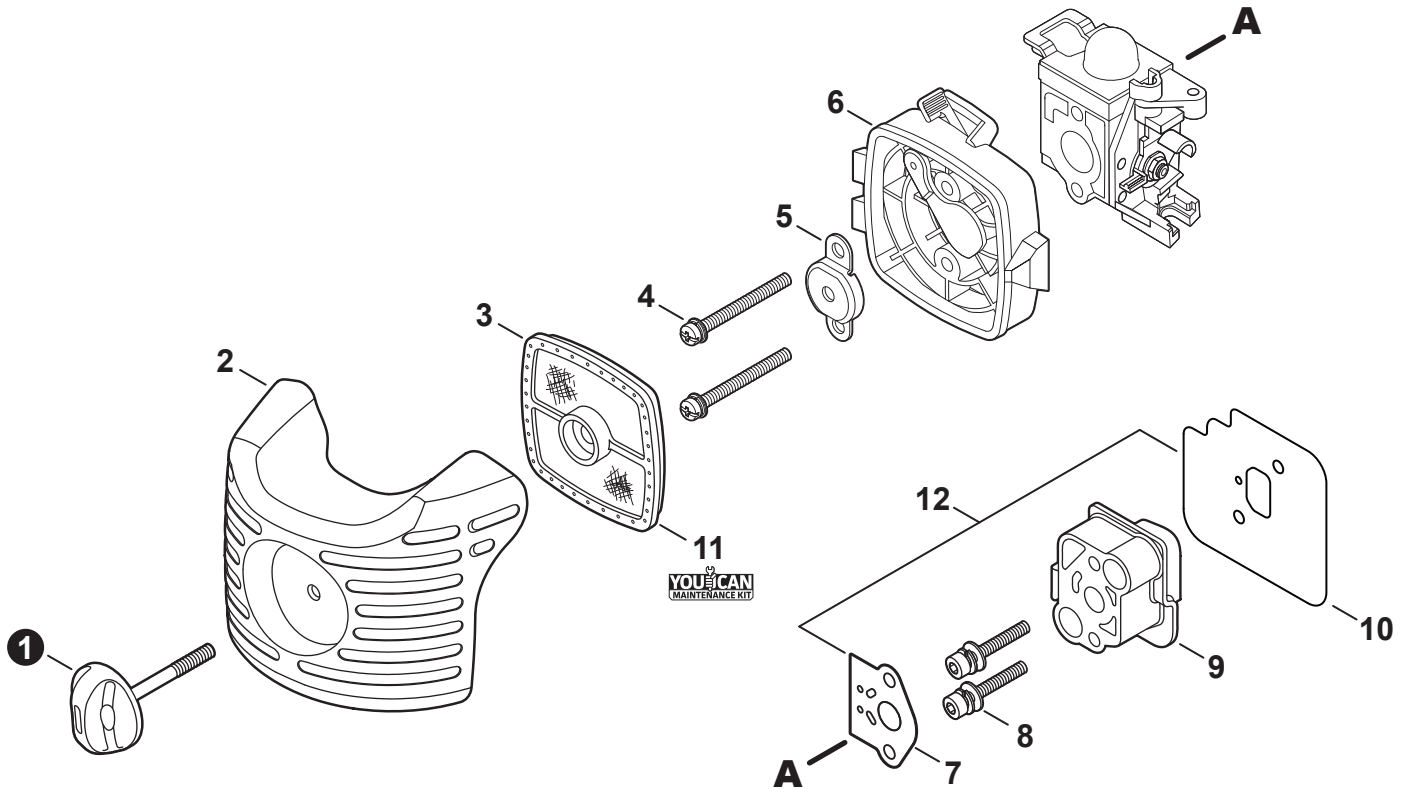
| NO. | PART NUMBER | QTY. | DESCRIPTION | DESCRIPCIÓN |
|-----|-------------|------|----------------|---------------------------|
| 1 | A320000430 | 1 | COVER, MUFFLER | CUBIERTA DEL SILENCIADOR |
| 2 | 90010605016 | 3 | BOLT 5×16 | PERNO 5×16 |
| 3 | A160000880 | 1 | COVER, ENGINE | CUBIERTA DE MOTOR |
| 4 | A127000170 | 1 | SHIELD, DEBRIS | PROTECTOR CONTRA RESIDUOS |
| 5 | C152000410 | 1 | CONNECTOR | CONECTOR |
| 6 | 90016205016 | 1 | BOLT 5×16 | PERNO 5×16 |



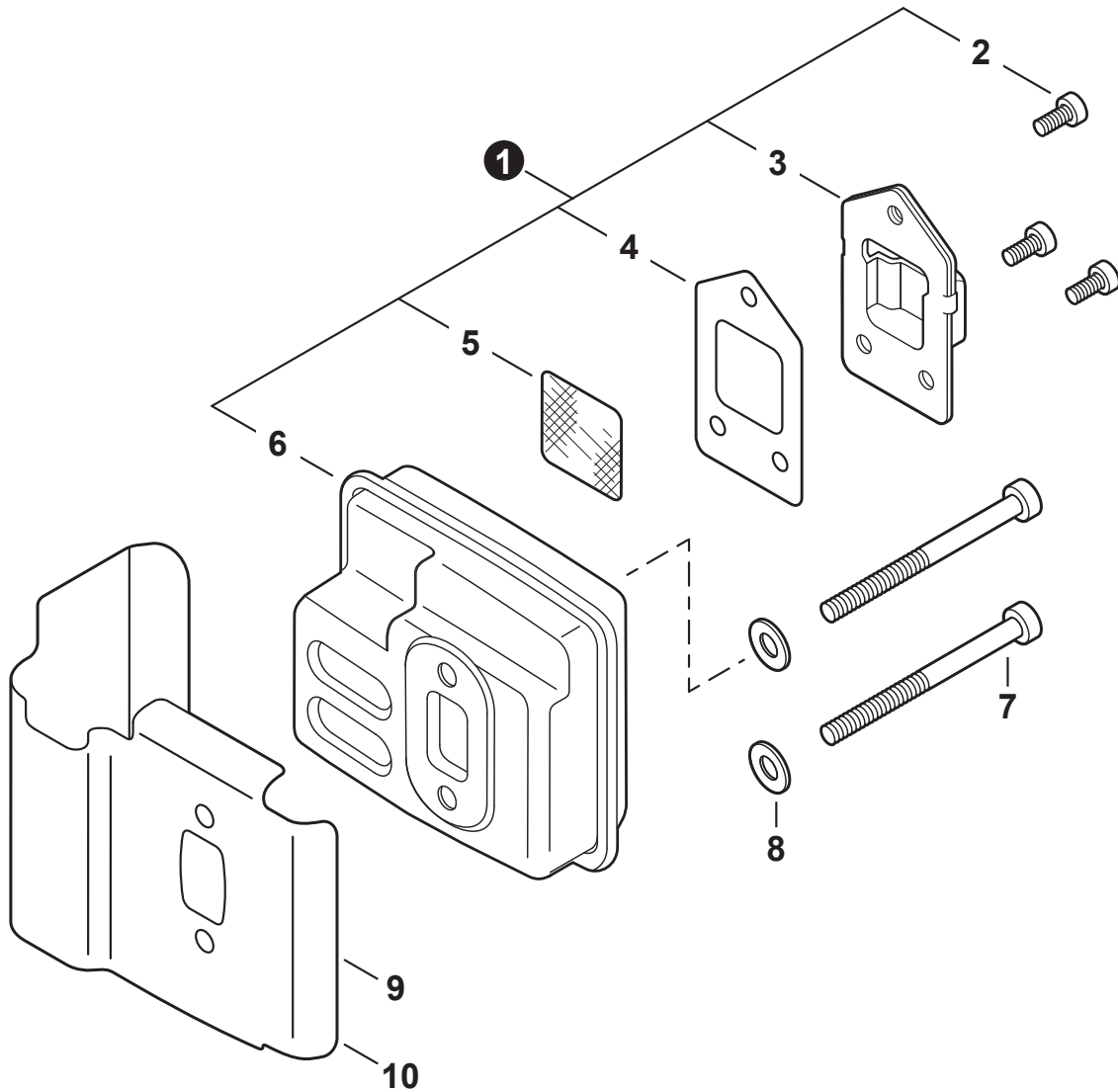
| NO. | PART NUMBER | QTY. | DESCRIPTION | DESCRIPCIÓN |
|-----|-------------|------|-----------------------|----------------------------------|
| 1 | SB1075 | 1 | SHORT BLOCK | BLOQUE CORTO |
| 2 | 10020452133 | 1 | +CRANKCASE KIT | +JUEGO DE CÁRTER |
| 3 | 10021242031 | 2 | ++SEAL, OIL 12 | ++SELLO DE ACEITE 12 |
| 4 | 90016205028 | 3 | ++BOLT 5x28 | ++PERNO 5x28 |
| 5 | 9403536201 | 2 | ++BEARING, BALL 6201 | ++COJINETE DE BALINES 6201 |
| 6 | 10024242030 | 1 | ++GASKET, CRANKCASE | ++EMPAQUETADURA DE CÁRTER |
| 7 | 90033040080 | 2 | ++PIN, LOCATING 4x8 | ++PASADOR DE POSICIONAMIENTO 4x8 |
| 8 | A011000223 | 1 | +CRANKSHAFT | +CIGÜEÑAL |
| 9 | P021007772 | 1 | +PISTON KIT | +JUEGO DE PISTÓN |
| 10 | 10011305930 | 1 | ++BEARING, NEEDLE | ++COJINETE DE AGUJAS |
| 11 | 10001408960 | 2 | ++WASHER, THRUST | ++ARANDELA DE EMPUJE |
| 12 | 10001504630 | 2 | ++RING, SNAP | ++ANILLO RETENEDOR |
| 13 | 10001311520 | 1 | ++PIN, PISTON 8 | ++PASADOR DEL PISTÓN 8 |
| 14 | A101000090 | 1 | ++RING, PISTON | ++ANILLO DEL PISTÓN |
| 15 | V100000160 | 1 | +GASKET, CYLINDER | +EMPAQUETADURA DE CILINDRO |
| 16 | A130000550 | 1 | +CYLINDER | +CILINDRO |
| 17 | 90016205022 | 2 | +BOLT 5x22 | +PERNO 5x22 |
| 18 | V104000850 | 1 | +HEAT SHIELD, EXHAUST | +PROTECTOR TÉRMICO DEL ESCAPE |
| 19 | V103000180 | 1 | +HEAT SHIELD, INTAKE | +PROTECTOR TÉRMICO DEL ADMISIÓN |
| 20 | V103000410 | 1 | +GASKET, INTAKE | +EMPAQUETADURA DE ADMISIÓN |
| 21 | P021013501 | 1 | GASKET KIT | JUEGO DE EMPAQUETADURA |



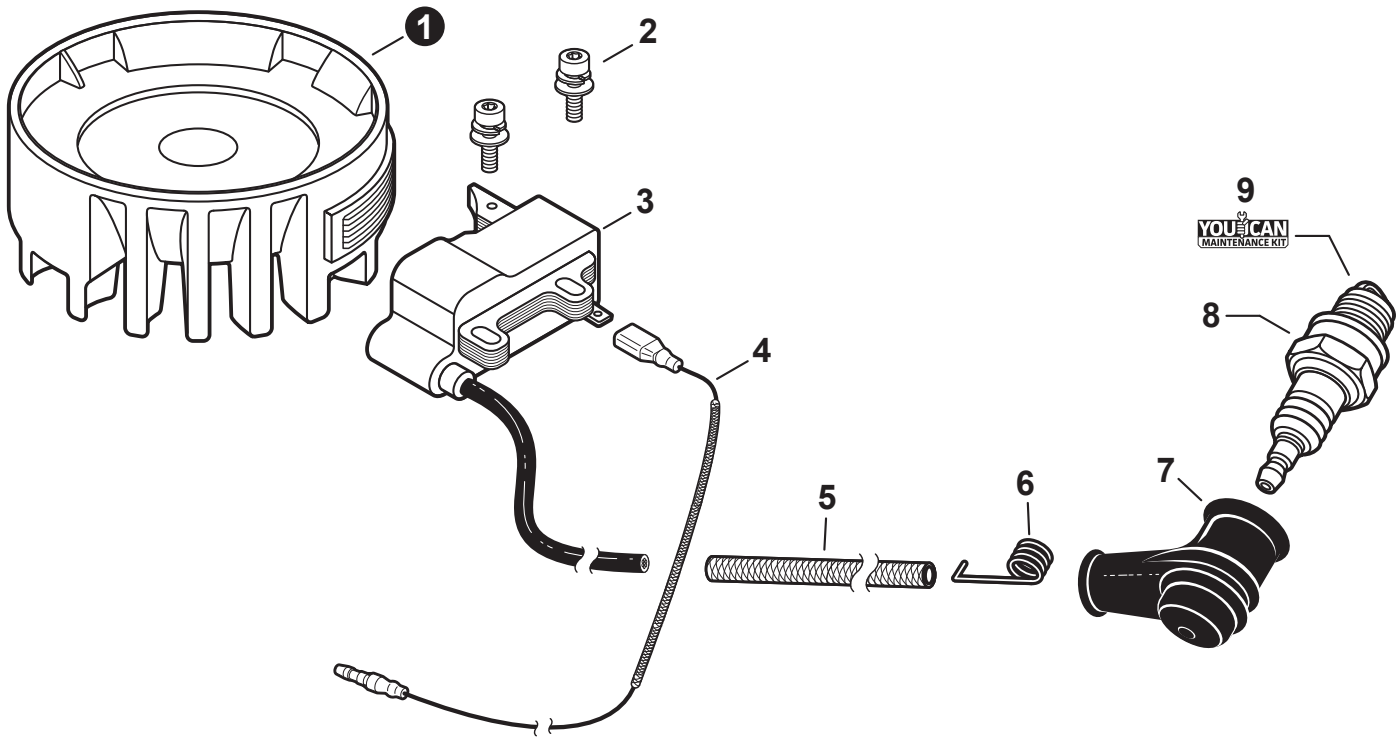
| NO. | PART NUMBER | QTY. | DESCRIPTION | DESCRIPCIÓN |
|-----|-------------------|----------|--------------------------------|---|
| 1 | A021001613 | 1 | CARBURETOR - RB-K91A | CARBURADOR - RB-K91A |
| 2 | P005000100 | 1 | +SCREW, IDLE ADJUST | +TORNILLO PARA AJUSTAR EL RALENTI |
| 3 | P005000190 | 1 | +E-RING | +RETENEDOR TIPO "E" |
| 4 | P005002200 | 1 | +SWIVEL | +CONECTOR GIRATORIO |
| 5 | P005001270 | 2 | +PLUG | +TAPÓN |
| 6 | 12534413931 | 3 | +SCREW | +TORNILLO |
| 7 | 12534452130 | 3 | +SCREW | +TORNILLO |
| 8 | P005002050 | 1 | +COVER ASSY, ROTOR | +MONTAJE DE CUBIERTA DE ROTOR |
| 9 | P005000280 | 1 | +O-RING | +JUNTA TÓRICA |
| 10 | P005002280 | 1 | +REPAIR KIT, CARBURETOR | +JUEGO DE REPARACIÓN DE CARBURADOR |
| 11 | | 1 | ++GASKET, PUMP | ++EMPAQUETADURA DE LA BOMBA |
| 12 | | 1 | ++DIAPHRAGM, PUMP | ++DIAFRAGMA DE LA BOMBA |
| 13 | | 1 | ++SCREEN, FUEL INLET | ++MALLA FILTRADORA |
| 14 | | 1 | ++GUIDE, ROLLER | ++GUÍA DE RODILLO |
| 15 | | 1 | ++SPRING, METERING LEVER | ++RESORTE PALANCA DE MEDICIÓN |
| 16 | | 1 | ++PIN, METERING LEVER | ++PASADOR DE PALANCA DE MEDICIÓN |
| 17 | | 1 | ++LEVER, METERING | ++PALANCA DE MEDICIÓN |
| 18 | | 1 | ++VALVE, INLET NEEDLE | ++VÁLVULA REGULADORA |
| 19 | | 1 | ++GASKET, METERING DIAPHRAGM | ++EMPAQUETADURA DIAFRAGMA DE MEDICIÓN |
| 20 | | 1 | ++DIAPHRAGM, METERING | ++DIAFRAGMA DE MEDICIÓN |
| 21 | 12534252130 | 1 | +COVER, METERING DIAPHRAGM | +TAPA DE DIAFRAGMA DE MEDICIÓN |
| 22 | 12533942030 | 1 | +SCREW | +TORNILLO |
| 23 | P005002060 | 1 | +NEEDLE, HIGH SPEED | +AGUJA DE REGULACION ALTA (H) |
| 24 | P005001250 | 1 | +CAP, LIMITER | +PROTECTOR DE TORNILLO |
| 25 | P005002270 | 1 | +GASKET / DIAPHRAGM KIT | +JUEGO DE EMPAQUETADURA / DIAFRAGMAS |
| 26 | | 1 | ++GASKET, PUMP | ++EMPAQUETADURA DE LA BOMBA |
| 27 | | 1 | ++DIAPHRAGM, PUMP | ++DIAFRAGMA DE LA BOMBA |
| 28 | | 1 | ++GASKET, METERING DIAPHRAGM | ++EMPAQUETADURA DIAFRAGMA DE MEDICIÓN |
| 29 | | 1 | ++DIAPHRAGM, METERING | ++DIAFRAGMA DE MEDICIÓN |
| 30 | P005002480 | 1 | +BODY ASSY, PURGE | +MONTAJE DE CUERPO DE PURGA |
| 31 | P005000270 | 1 | +SCREW | +TORNILLO |
| 32 | P005003110 | 1 | +BULB, PURGE | +BULBO DE PURGA |
| 33 | P005000250 | 1 | +RETAINER, PURGE BULB | +SUJETADOR DE BULBO DE PURGA |
| 34 | P005001900 | 4 | +SCREW | +TORNILLO |



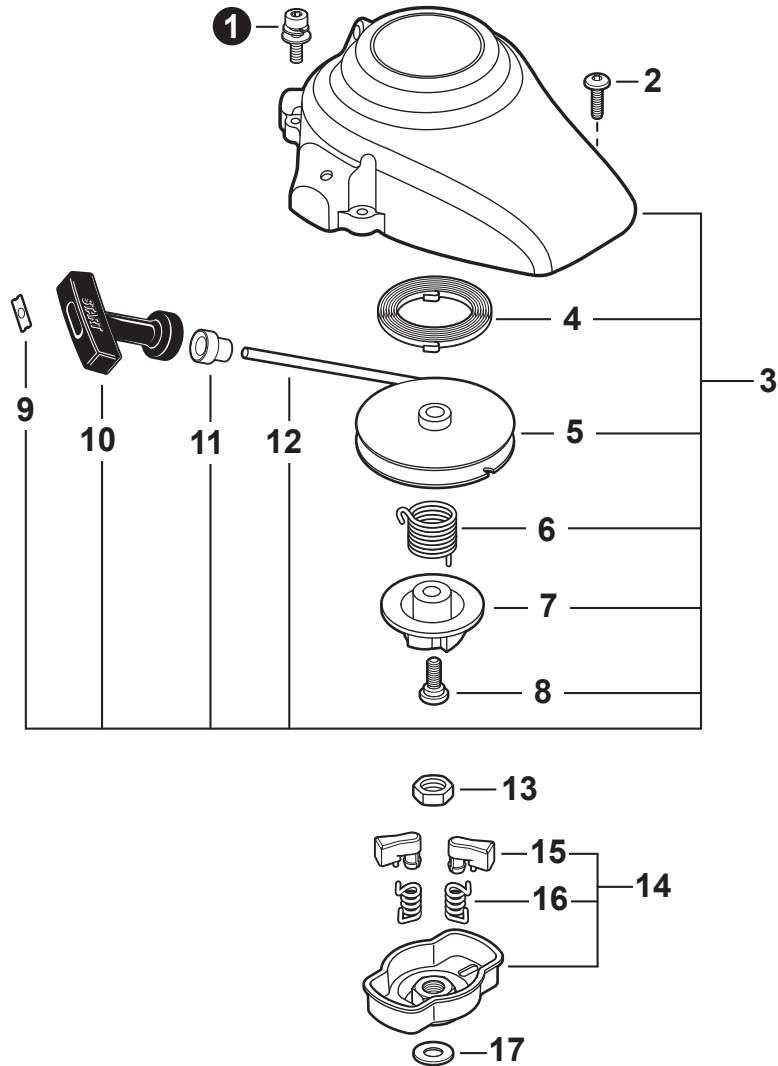
| NO. | PART NUMBER | QTY. | DESCRIPTION | DESCRIPCIÓN |
|-----|-------------|------|----------------------------|------------------------------------|
| 1 | V299000250 | 1 | THUMBSCREW | TORNILLO DE OREJETAS |
| 2 | A232000400 | 1 | COVER, AIR FILTER | CUBIERTA DEL FILTRO DE AIRE |
| 3 | A226001410 | 1 | FILTER, AIR - DOUBLE LAYER | FILTRO DE AIRE - CAPA DOBLE |
| 4 | 90024205065 | 2 | SCREW 5×65 | TORNILLO 5×65 |
| 5 | 12901152730 | 1 | PLATE, PREVENT | PLACA DE PREVENCIÓN |
| 6 | P021012870 | 1 | CASE ASSY, AIR FILTER | MONTAJE DE CAJA DEL FILTRO DE AIRE |
| 7 | V103000410 | 1 | GASKET, INTAKE | EMPAQUETADURA DE ADMISIÓN |
| 8 | 90016205025 | 2 | BOLT 5×25 | PERNO 5×25 |
| 9 | A200001020 | 1 | INSULATOR, INTAKE | AISLADOR DE ADMISIÓN |
| 10 | V103000180 | 1 | HEAT SHIELD, INTAKE | PROTECTOR TÉRMICO DEL ADMISIÓN |
| 11 | 90152Y | 1 | TUNE-UP KIT - YOUCAN™ | JUEGO DE PUESTA A PUNTO - YOUCAN™ |
| 12 | P021013501 | 1 | GASKET KIT | JUEGO DE EMPAQUETADURA |



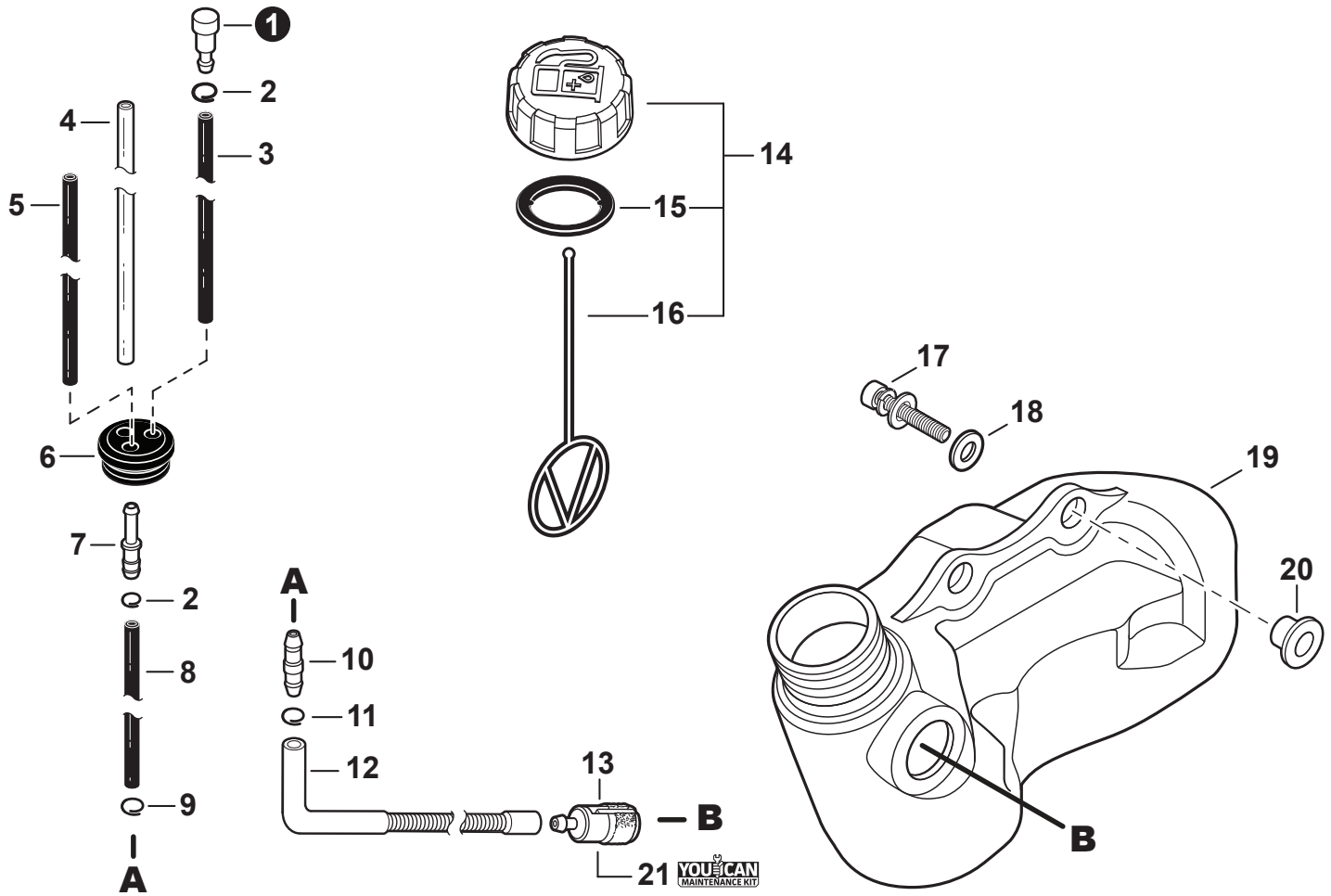
| NO. | PART NUMBER | QTY. | DESCRIPTION | DESCRIPCIÓN |
|-----|-------------|------|-------------------------|------------------------------|
| 1 | P021007420 | 1 | MUFFLER ASSY | MONTAJE DE SILENCIADOR |
| 2 | V804000030 | 3 | +BOLT, TORX 4x8 | +PERNO TORX 4x8 |
| 3 | A313000580 | 1 | +GUIDE, EXHAUST | +GUÍA DE ESCAPE |
| 4 | 14586642031 | 1 | +GASKET, EXHAUST | +EMPAQUETADURA DE ESCAPE |
| 5 | 14586240630 | 1 | +SCREEN, SPARK ARRESTER | +PANTALLA DEL GUARDACHISPAS |
| 6 | 14580642030 | 1 | +MUFFLER | +SILENCIADOR |
| 7 | 90010505055 | 2 | BOLT 5x55 | PERNO 5x55 |
| 8 | 90060000005 | 2 | WASHER, FLAT 5.5x10x0.8 | ARANDELA 5.5x10x0.8 |
| 9 | V104000850 | 1 | HEAT SHIELD, EXHAUST | PROTECTOR TÉRMICO DEL ESCAPE |
| 10 | P021013501 | 1 | GASKET KIT | JUEGO DE EMPAQUETADURA |



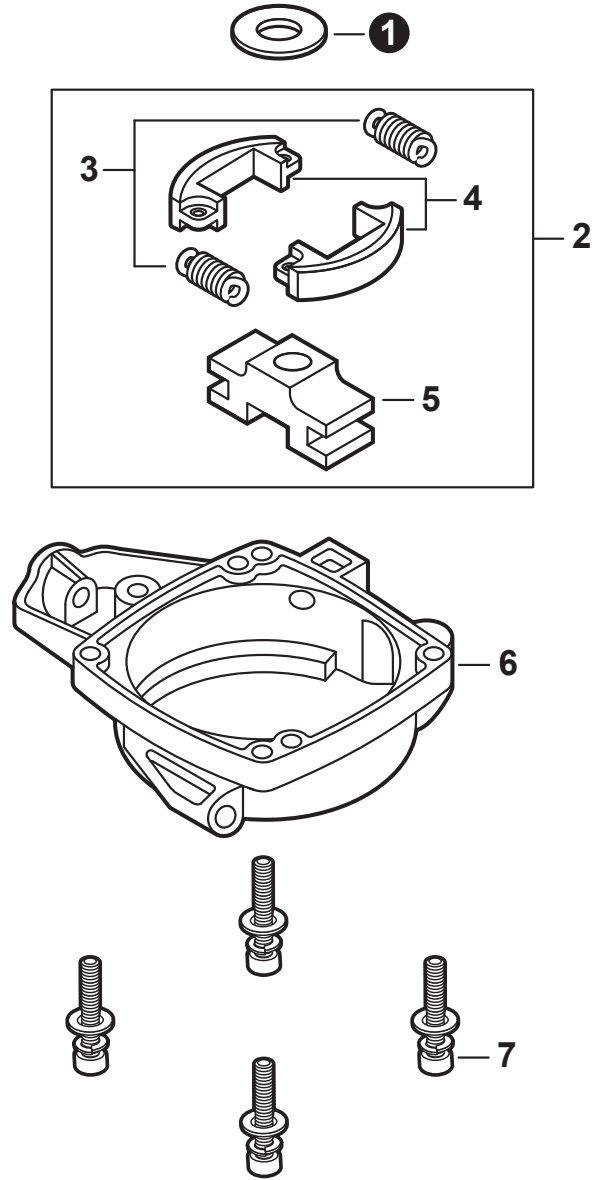
| NO. | PART NUMBER | QTY. | DESCRIPTION | DESCRIPCIÓN |
|-----|-------------|------|--------------------------|-----------------------------------|
| 1 | A409000210 | 1 | FLYWHEEL | VOLANTE |
| 2 | 9111304020 | 2 | BOLT 4×20 | PERNO 4×20 |
| 3 | A411000130 | 1 | COIL, IGNITION | BOBINA DE ENCENDIDO |
| 4 | V485000870 | 1 | LEAD - IGNITION | CABLE DE ENCENDIDO |
| 5 | V475001610 | 1 | TUBE, INSULATOR 7×8.6×55 | TUBO AISLANTE 7×8.6×55 |
| 6 | A426000010 | 1 | TERMINAL, SPARK PLUG | TERMINAL DE BUJÍA |
| 7 | A427000013 | 1 | CAP, SPARK PLUG | TAPA DE BUJÍA |
| 8 | A425000000 | 1 | SPARK PLUG - BPMR8Y | BUJÍA - BPMR8Y |
| 9 | 90152Y | 1 | TUNE-UP KIT - YOUCAN™ | JUEGO DE PUESTA A PUNTO - YOUCAN™ |



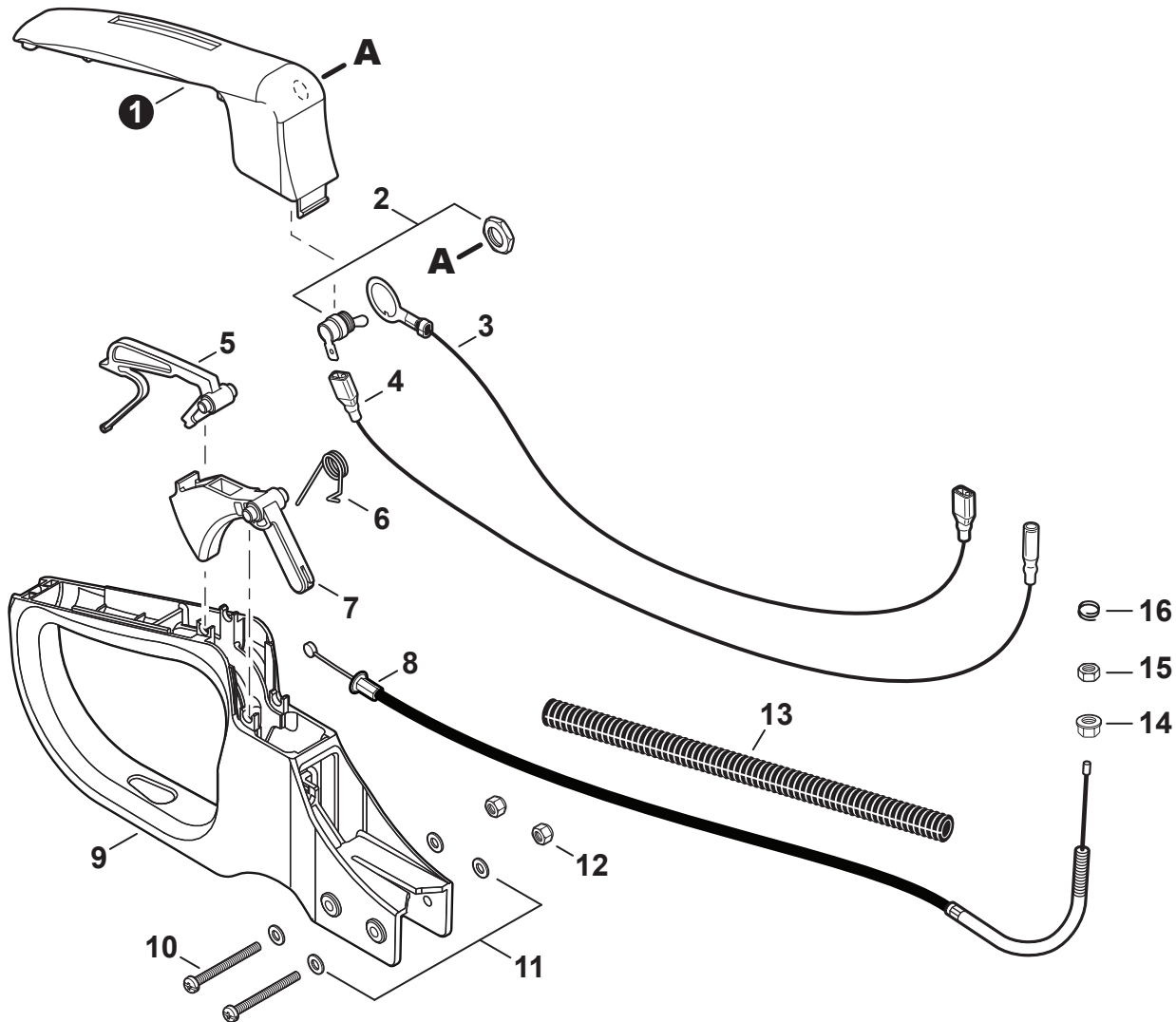
| NO. | PART NUMBER | QTY. | DESCRIPTION | DESCRIPCIÓN |
|-----|-------------------|------|-----------------------------|---|
| 1 | 90016304016 | 4 | BOLT 4×16 | PERNO 4×16 |
| 2 | V202000030 | 1 | BOLT 4×12 | PERNO 4×12 |
| 3 | A051001111 | 1 | STARTER ASSY, RECOIL | MONTAJE DE ARRANCADOR AUTORRETRÁCTIL |
| 4 | 17722042030 | 1 | +SPRING, RECOIL | +RESORTE RECULAR |
| 5 | P022034080 | 1 | +REEL, ROPE | +CARRETE DEL CABLE |
| 6 | V452000150 | 1 | +SPRING, TORSION | +RESORTE DE TORSIÓN |
| 7 | P022034090 | 1 | +PAWL CATCHER | +RECEPTOR DE TRINQUETE |
| 8 | 17723661830 | 1 | +SCREW | +TORNILLO |
| 9 | 17724611120 | 1 | +RETAINER, ROPE | +RETENEDOR DE CUERDA |
| 10 | 17722827030 | 1 | +GRIP, STARTER | +AGARRE DEL ARRANCADOR |
| 11 | 17722742030 | 1 | +GUIDE, ROPE | +GUÍA DE CUERDA |
| 12 | P022008260 | 1 | +ROPE, STARTER 3×700 | +CUERDA DEL ARRANCADOR 3×700 |
| 13 | 90051200008 | 1 | NUT 8 | TUERCA 8 |
| 14 | A052000210 | 1 | PULLEY ASSY, STARTER | MONTAJE DE POLEA DEL ARRANCADOR |
| 15 | P022020030 | 2 | +PAWL, STARTER | +TRINQUETE |
| 16 | P022007980 | 2 | +SPRING, RETURN | +RESORTE DE RETORNO |
| 17 | 90060000008 | 1 | WASHER 8.5×16×1.2 | ARANDELA 8.5×16×1.2 |



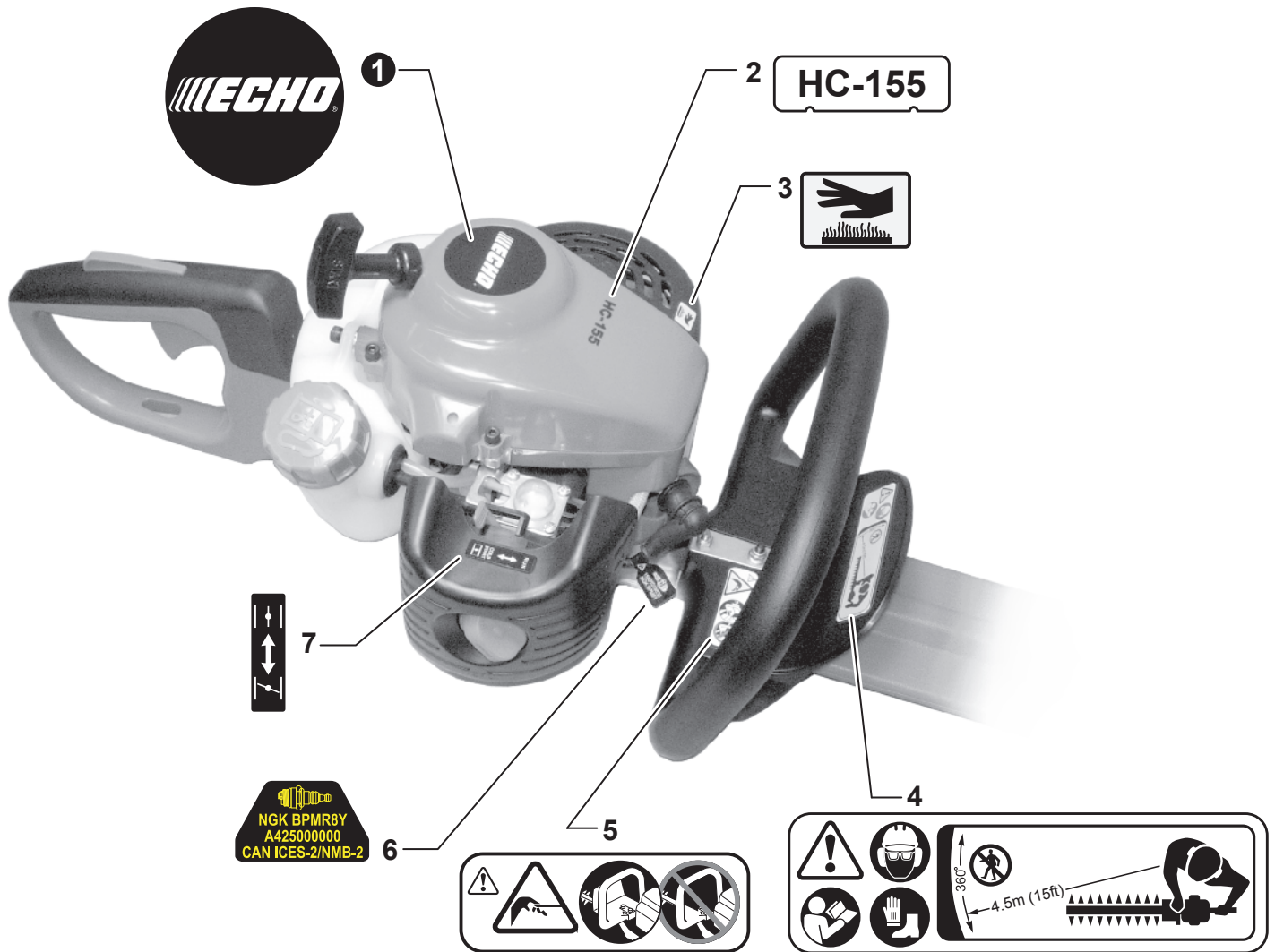
| NO. | PART NUMBER | QTY. | DESCRIPTION | DESCRIPCIÓN |
|-----|-------------------|------|------------------------------|--|
| 1 | A356000031 | 1 | VENT ASSY | VÁLVULA DE RESPIRADERO |
| 2 | V490001230 | 2 | CLIP Ø6.5 MM | SUJETADOR Ø6.5 MM |
| 3 | V471003680 | 1 | PIPE, FUEL 3×6×50 BLACK | TUBO DE COMBUSTIBLE 3×6×50 NEGRO |
| 4 | 13201040830 | 1 | PIPE, FUEL 3×6×75 CLEAR | TUBO DE COMBUSTIBLE 3×6×75 TRANSPARENTE |
| 5 | V471005590 | 1 | PIPE, FUEL 3×5.5×64 BLACK | TUBO DE COMBUSTIBLE 3×5.5×64 NEGRO |
| 6 | 13211555930 | 1 | GROMMET, FUEL | OJAL DE COMBUSTIBLE |
| 7 | V186000520 | 1 | CONNECTOR, PIPE Ø5×Ø3.5 | CONECTOR DE TUBO Ø5×Ø3.5 |
| 8 | V471001180 | 1 | PIPE, FUEL 3×6×35 BLACK | TUBO DE COMBUSTIBLE 3×6×35 NEGRO |
| 9 | V490001240 | 1 | CLIP Ø6 | SUJETADOR Ø6 |
| 10 | V186000510 | 1 | CONNECTOR, PIPE | CONECTOR DE TUBO |
| 11 | 43741119830 | 1 | CLIP 6.6 MM | SUJETADOR 6.6 MM |
| 12 | 13201212361 | 1 | PIPE, FUEL 3×7×100 FLEXIBLE | TUBO DE COMBUSTIBLE 3×7×100 FLEXIBLE |
| 13 | A369000480 | 1 | FILTER, FUEL | FILTRO DE COMBUSTIBLE |
| 14 | P021040430 | 1 | CAP ASSY, FUEL | MONTAJE DE TAPA DE COMBUSTIBLE |
| 15 | V107000150 | 1 | +GASKET, FUEL CAP | +EMPAQUETADURA DE TAPA DE COMBUSTIBLE |
| 16 | A365000060 | 1 | +CONNECTOR, CAP L= 123 | +CONECTOR DE TAPA L= 123 |
| 17 | 90016205020 | 3 | BOLT 5×20 | PERNO 5×20 |
| 18 | 90060300005 | 3 | WASHER 5.5×12×0.8 | ARANDELA 5.5×12×0.8 |
| 19 | A350002621 | 1 | TANK, FUEL | TANQUE DE COMBUSTIBLE |
| 20 | V353000231 | 3 | COLLAR 5 | COLLAR 5 |
| 21 | 90152Y | 1 | TUNE-UP KIT - YOUCAN™ | JUEGO DE PUESTA A PUNTO - YOUCAN™ |



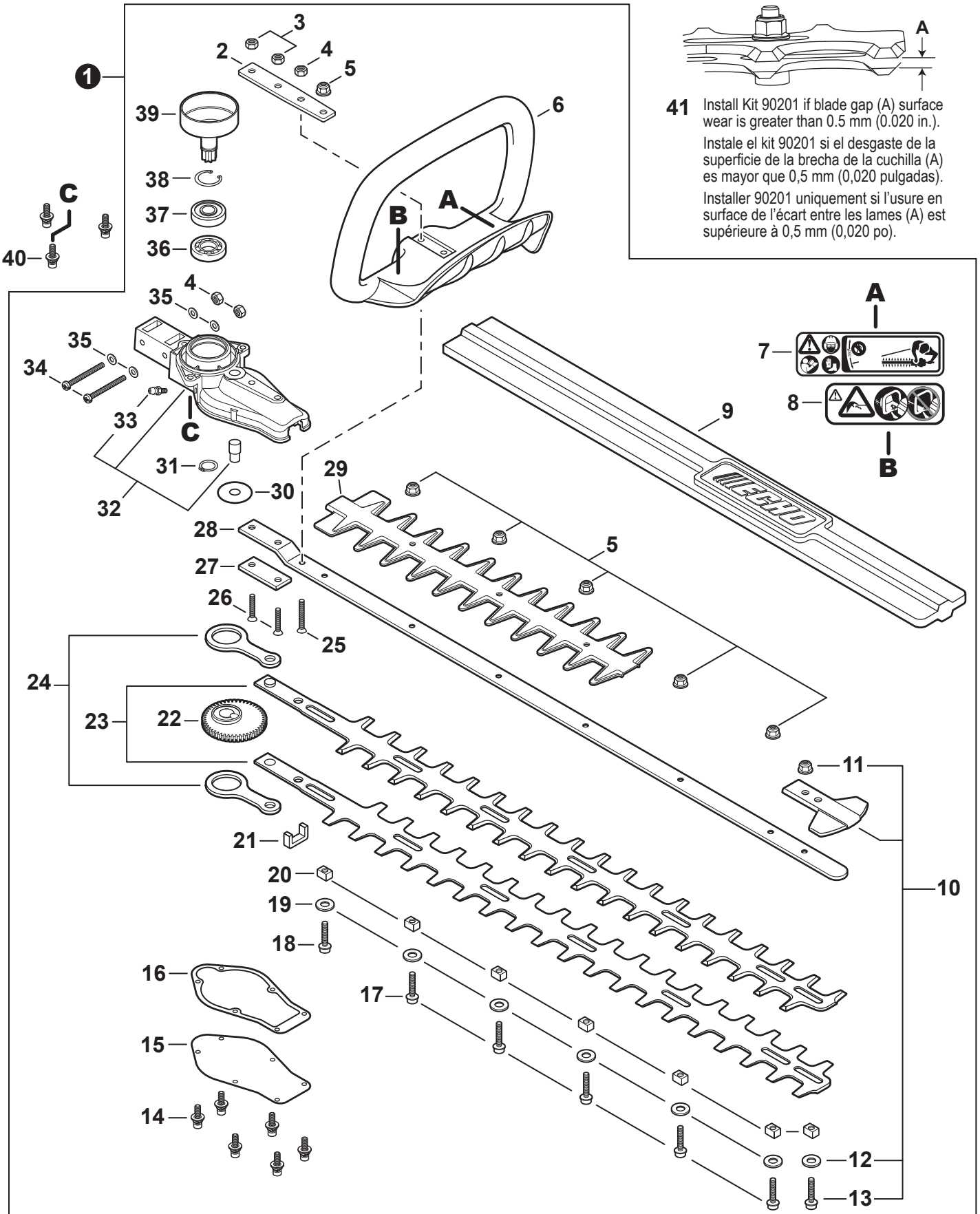
| NO. | PART NUMBER | QTY. | DESCRIPTION | DESCRIPCIÓN |
|-----|-------------------|------|--------------------|----------------------------|
| 1 | 61035012360 | 1 | WASHER 8 | ARANDELA 8 |
| 2 | A056000190 | 1 | CLUTCH ASSY | MONTAJE DE EMBRAGUE |
| 3 | A566000000 | 2 | +SPRING, CLUTCH | +RESORTE DEL EMBRAGUE |
| 4 | 17501744331 | 2 | +SHOE, CLUTCH | +ZAPATA DE EMBRAGUE |
| 5 | A552000080 | 1 | +HUB, CLUTCH | +CUBO DEL EMBRAGUE |
| 6 | A570000160 | 1 | CASE, CLUTCH | CAJA DEL EMBRAGUE |
| 7 | 90016304016 | 4 | BOLT 4×16 | PERNO 4×16 |



| NO. | PART NUMBER | QTY. | DESCRIPTION | DESCRIPCIÓN |
|-----|-------------|------|-------------------------|----------------------------------|
| 1 | C411000030 | 1 | COVER, HANDLE | CUBIERTA DE MANGO |
| 2 | 16340003460 | 1 | SWITCH, ON-OFF | INTERRUPTOR DE ENCENDIDO-APAGADO |
| 3 | V485001110 | 1 | LEAD - GROUND | CABLE DE TIERRA |
| 4 | V485001030 | 1 | LEAD - IGNITION | CABLE DE ENCENDIDO |
| 5 | C460000120 | 1 | LOCKOUT, THROTTLE | SEGURO DEL ACELERADOR |
| 6 | V452000392 | 1 | SPRING, TORSION | RESORTE DE TORSIÓN |
| 7 | C450000330 | 1 | TRIGGER, THROTTLE | GATILLO DEL ACELERADOR |
| 8 | V430002200 | 1 | CABLE, THROTTLE | CABLE DEL ACELERADOR |
| 9 | C410000920 | 1 | HANDLE, REAR | MANGO TRASERO |
| 10 | 90022005045 | 2 | SCREW 5x45 | TORNILLO 5x45 |
| 11 | 90060000005 | 4 | WASHER, FLAT 5.5x10x0.8 | ARANDELA 5.5x10x0.8 |
| 12 | 90056000005 | 2 | NUT, LOCK M5 | CONTRATUERCA M5 |
| 13 | V475004150 | 1 | TUBE, FLEXIBLE | TUBO FLEXIBLE |
| 14 | 90051800006 | 1 | NUT, FLANGE M6 | TUERCA-BRIDA M6 |
| 15 | 90050200006 | 1 | NUT M6 | TUERCA M6 |
| 16 | V490001100 | 1 | CLIP | SUJETADOR |



| NO. | PART NUMBER | QTY. | DESCRIPTION | DESCRIPCIÓN |
|-----|-------------|------|----------------------------|---------------------------------|
| 1 | X502000330 | 1 | LABEL, RECOIL STARTER | ETIQUETA ARRANCADOR |
| 2 | X503009220 | 1 | LABEL, MODEL - HC-155 | ETIQUETA MODELO - HC-155 |
| 3 | X505002310 | 1 | LABEL, CAUTION - HOT | ETIQUETA DE PRECAUCIÓN CALIENTE |
| 4 | X505002610 | 1 | LABEL, CAUTION - ISO | ETIQUETA DE PRECAUCIÓN - ISO |
| 5 | X505000290 | 1 | LABEL, CAUTION | ETIQUETA DE PRECAUCIÓN |
| 6 | X532004970 | 1 | LABEL, SPARK PLUG - BPMR8Y | ETIQUETA DE BUJÍA BPMR8Y |
| 7 | 89033252730 | 1 | LABEL, CHOKE | ETIQUETA DEL ESTRANGULADOR |



| NO. | PART NUMBER | QTY. | DESCRIPTION | DESCRIPCIÓN |
|-----|-------------|------|------------------------------|---------------------------------------|
| 1 | 9001016 | 1 | CUTTING HEAD KIT | MONTAJE DE CABEZAL DE CORTE |
| 2 | V150003830 | 1 | +PLATE, SUPPORT | +PLACA DE SOPORTE |
| 3 | 90050000006 | 2 | +NUT, HEX M6 | +TUERCA HEXAGONAL 6M |
| 4 | 90056000005 | 3 | +NUT, LOCK M5 | +CONTRATUERCA M5 |
| 5 | 9210805000 | 6 | +NUT, FLANGE M5 | +TUERCA-BRIDA M5 |
| 6 | C400000532 | 1 | +HANDLE, FRONT | +MANGO DELANTERO |
| 7 | X505002610 | 1 | +LABEL, CAUTION - ISO | +ETIQUETA DE PRECAUCIÓN - ISO |
| 8 | X505000290 | 1 | +LABEL, CAUTION | +ETIQUETA DE PRECAUCIÓN |
| 9 | X495000490 | 1 | +SCABBARD 26.5" | +FUNDA 675 MM |
| 10 | 99988802000 | 1 | +TIP GUARD KIT | +JUEGO DE PROTECTOR DE PUNTA |
| 11 | 9210805000 | 1 | ++NUT, FLANGE M5 | ++TUERCA-BRIDA M5 |
| 12 | 17721421860 | 1 | ++WASHER 5 | ++ARANDELA 5 |
| 13 | 90010605020 | 1 | ++BOLT 5×20 | ++PERNO 5×20 |
| 14 | 90016204010 | 6 | +BOLT 4×10 | +PERNO 4×10 |
| 15 | 61041105361 | 1 | +COVER, GEAR CASE | +TAPA CAJA DE ENGRANAJES |
| 16 | 61041405360 | 1 | +GASKET, GEAR CASE | +EMPAQUETADURA DE CAJA DE ENGRANAJES |
| 17 | 90010605020 | 5 | +BOLT 5×20 | +PERNO 5×20 |
| 18 | 90016205040 | 1 | +BOLT 5×40 | +PERNO 5×40 |
| 19 | 17721421860 | 6 | +WASHER 5 | +ARANDELA 5 |
| 20 | V353000250 | 7 | +GUIDE, BLADE 5 | +GUÍA DE CUCHILLA 5 |
| 21 | 61042504560 | 1 | +SEAL | +SELLO |
| 22 | 61031204560 | 1 | +GEAR | +ENGRANAJE |
| 23 | X411000760 | 2 | +CUTTER 24" | +CUCHILLA 60 CM |
| 24 | C532000121 | 2 | +ROD, CONNECTING | +BIELA |
| 25 | 90021205030 | 1 | +SCREW 5×30 | +TORNILLO 5×30 |
| 26 | 90021206025 | 2 | +SCREW 6×25 | +TORNILLO 6×25 |
| 27 | 61044004560 | 1 | +PLATE, EYE | +PLACA |
| 28 | X425000490 | 1 | +SUPPORT, BLADE 24" | +SOPORTE DE LA CUCHILLA 60 CM |
| 29 | X431000050 | 1 | +GUARD, CUTTER BLADE | +PROTECTOR DE LA CUCHILLA DE CORTE |
| 30 | 61035004560 | 1 | +WASHER | +ARANDELA |
| 31 | 90070100014 | 1 | +RING, SNAP 14 | +ANILLO RETENEDOR 14 |
| 32 | 61040705361 | 1 | +GEAR CASE ASSY | +MONTAJE DE CAJA DE ENGRANAJES |
| 33 | 88011010860 | 1 | ++FITTING, GREASE | ++ENGRASADOR |
| 34 | 90022005045 | 2 | +SCREW 5×45 | +TORNILLO 5×45 |
| 35 | 90060000005 | 4 | +WASHER, FLAT 5.5×10×0.8 | +ARANDELA 5.5×10×0.8 |
| 36 | 90081036202 | 1 | +BEARING, BALL 6202 | +COJINETE DE BALINES 6202 |
| 37 | 90081336202 | 1 | +BEARING, BALL 6202 | +COJINETE DE BALINES 6202 |
| 38 | 90070200035 | 1 | +RING, SNAP 35 | +ANILLO RETENEDOR 35 |
| 39 | 17500504560 | 1 | +DRUM, CLUTCH | +TAMBOR EMBRAGUE |
| 40 | 90016205020 | 3 | BOLT 5×20 | PERNO 5×20 |
| 41 | 90201 | 1 | BLADE KIT, ADJUSTABLE | JUEGO DE CUCHILLA AJUSTABLE |

| NO. | PART NUMBER | QTY. | DESCRIPTION | DESCRIPCIÓN |
|-----|-------------|------|-----------------------------|-----------------------------------|
| 1 | 90152Y | 1 | TUNE-UP KIT - YOUCAN™ | JUEGO DE PUESTA A PUNTO - YOUCAN™ |
| 2 | A226001410 | 1 | +FILTER, AIR - DOUBLE LAYER | +FILTRO DE AIRE - CAPA DOBLE |
| 3 | A369000440 | 1 | +FILTER, FUEL | +FILTRO DE COMBUSTIBLE |
| 4 | A425000000 | 1 | +SPARK PLUG - BPMR8Y | +BUJÍA - BPMR8Y |
| 5 | P021013501 | 1 | GASKET KIT | JUEGO DE EMPAQUETADURA |
| 6 | 10024242030 | 1 | +GASKET, CRANKCASE | +EMPAQUETADURA DE CÁRTER |
| 7 | V100000160 | 1 | +GASKET, CYLINDER | +EMPAQUETADURA DE CILINDRO |
| 8 | V103000180 | 1 | +HEAT SHIELD, INTAKE | +PROTECTOR TÉRMICO DEL ADMISIÓN |
| 9 | V103000410 | 1 | +GASKET, INTAKE | +EMPAQUETADURA DE ADMISIÓN |
| 10 | V104000850 | 1 | +HEAT SHIELD, EXHAUST | +PROTECTOR TÉRMICO DEL ESCAPE |
| 11 | V104001760 | 1 | +GASKET, EXHAUST | +EMPAQUETADURA DE ESCAPE |

Bulk Pipe

Tubo al por mayor

| NO. | PART NUMBER | QTY. | DESCRIPTION | DESCRIPCIÓN |
|-----|-------------|------|---|--|
| 1 | 90014 | 1 | BULK PIPE - 3x5 MM BLACK (4 PIECESx2 M) | TUBO AL POR MAYOR 3x5 MM NEGRO (4 PIEZASx2 M) |
| 2 | 90015 | 1 | BULK PIPE - 3x6 MM BLACK (4 PIECESx2 M) | TUBO AL POR MAYOR 3x6 MM NEGRO (4 PIEZASx2 M) |
| 3 | 90016 | 1 | BULK PIPE - 3x7 MM BLACK (4 PIECESx2 M) | TUBO AL POR MAYOR 3x7 MM NEGRO (4 PIEZASx2 M) |
| 4 | 90017 | 1 | BULK PIPE - 3x6 MM CLEAR (4 PIECESx2 M) | TUBO AL POR MAYOR 3x6 MM TRANSPARENTE (4 PIEZASx2 M) |
| 5 | 90018 | 1 | BULK PIPE - 2x4 MM CLEAR (4 PIECESx2 M) | TUBO AL POR MAYOR 2x4 MM TRANSPARENTE (4 PIEZASx2 M) |

Bulk Starter Rope

Cuerda del arrancador al por mayor

| NO. | PART NUMBER | QTY. | DESCRIPTION | DESCRIPCIÓN |
|-----|-------------|------|-----------------------------------|--|
| 1 | 99944435000 | 1 | BULK STARTER ROPE - Ø 2.3 MMx61 M | CUERDA DEL ARRANCADOR AL POR MAYOR Ø 2.3 MMx61 M |
| 2 | 99944440000 | 1 | BULK STARTER ROPE - Ø 3.0 MMx61 M | CUERDA DEL ARRANCADOR AL POR MAYOR Ø 3.0 MMx61 M |
| 3 | 99944445000 | 1 | BULK STARTER ROPE - Ø 3.5 MMx61 M | CUERDA DEL ARRANCADOR AL POR MAYOR Ø 3.5 MMx61 M |
| 4 | 99944450000 | 1 | BULK STARTER ROPE - Ø 4.0 MMx61 M | CUERDA DEL ARRANCADOR AL POR MAYOR Ø 4.0 MMx61 M |
| 5 | 99944455000 | 1 | BULK STARTER ROPE - Ø 4.4 MMx61 M | CUERDA DEL ARRANCADOR AL POR MAYOR Ø 4.4 MMx61 M |
| 6 | 99944460000 | 1 | BULK STARTER ROPE - Ø 4.8 MMx61 M | CUERDA DEL ARRANCADOR AL POR MAYOR Ø 4.8 MMx61 M |