



Accessories for ECHO products can be found at:
Los accesorios para los productos ECHO se pueden encontrar en:
<http://www.echo-usa.com/Products/Accessories>

PARTS CATALOG
LISTA DE PIEZAS

LM-2119SP
Lawn Mower
LM-2119SP Cortacésped



SERIAL NUMBER
NÚMERO DE SERIE

701LMS001001 - 701LMS999999

ECHO Incorporated

400 Oakwood Road, Lake Zurich, Illinois 60047

WWW.ECHO-USA.COM

©2025 ECHO Incorporated. All Rights Reserved

P/N 99922238359
REVISED 03/21/25

| | |
|--|-----------|
| Labels | 3 |
| Etiquetas | |
| Engine and Blades | 4 |
| Motor y cuchillas | |
| Engine and Blades | 5 |
| Motor y cuchillas | |
| Handles | 6 |
| Manejas | |
| Handles | 7 |
| Manejas | |
| Grass Bag, Mower Deck | 8 |
| Bolsa para césped, plataforma de corte | |
| Grass Bag, Mower Deck | 9 |
| Bolsa para césped, plataforma de corte | |
| Wheels and Drive | 10 |
| Ruedas y propulsión | |
| Wheels and Drive | 11 |
| Ruedas y propulsión | |

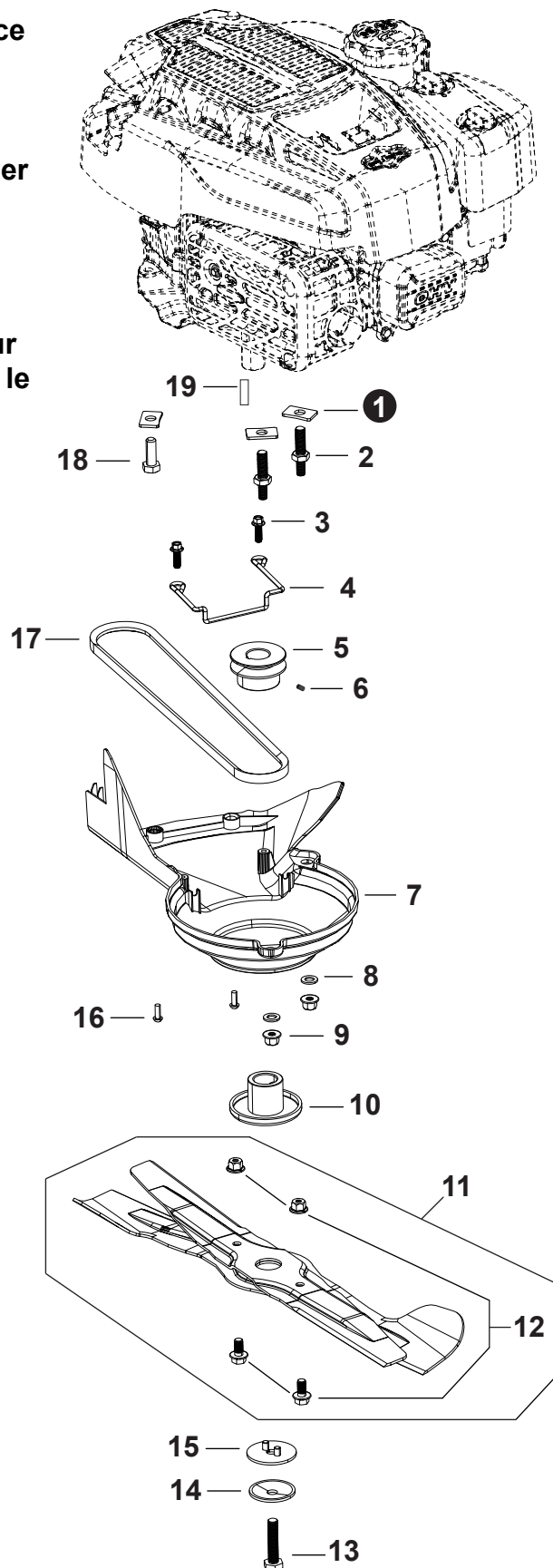


| NO. | PART NUMBER | QTY. | DESCRIPTION | DESCRIPCIÓN |
|-----|-------------|------|---------------------------|--|
| 1 | YH653001820 | 1 | LABEL, BRAND | ETIQUETA DE MARCA |
| 2 | YH653001830 | 1 | LABEL, REAR COVER WARNING | ETIQUETA, ADVERTENCIA DE LA CUBIERTA TRASERA |
| 3 | YH653001870 | 1 | LABEL, MODEL | ETIQUETA, MODELO |
| 4 | YH653001850 | 1 | LABEL, SELF-PROPEL | ETIQUETA, AUTOPROPULSACIÓN |
| 5 | YH653001860 | 1 | LABEL, WARNING | ETIQUETA, ADVERTENCIA |
| 6 | YH653001840 | 1 | LABEL, DANGER | ETIQUETA DE PELIGRO |

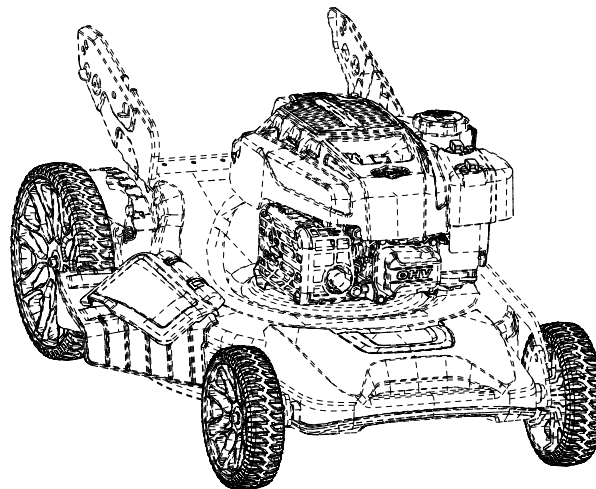
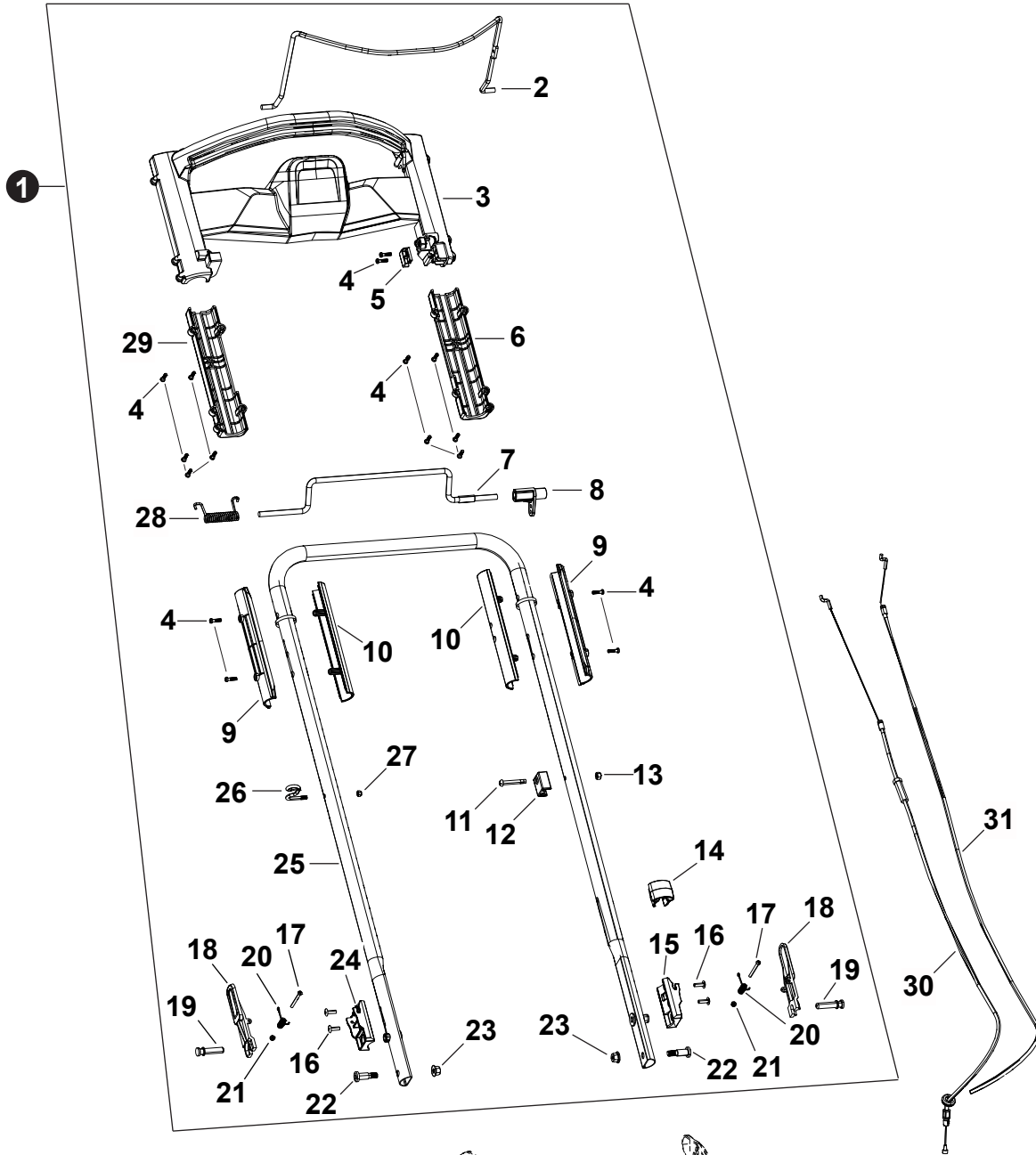
See OEM for Engine Service
Parts or Replacement

Consulte al fabricante de
equipo original para obtener
piezas de repuesto o
reemplazo del motor.

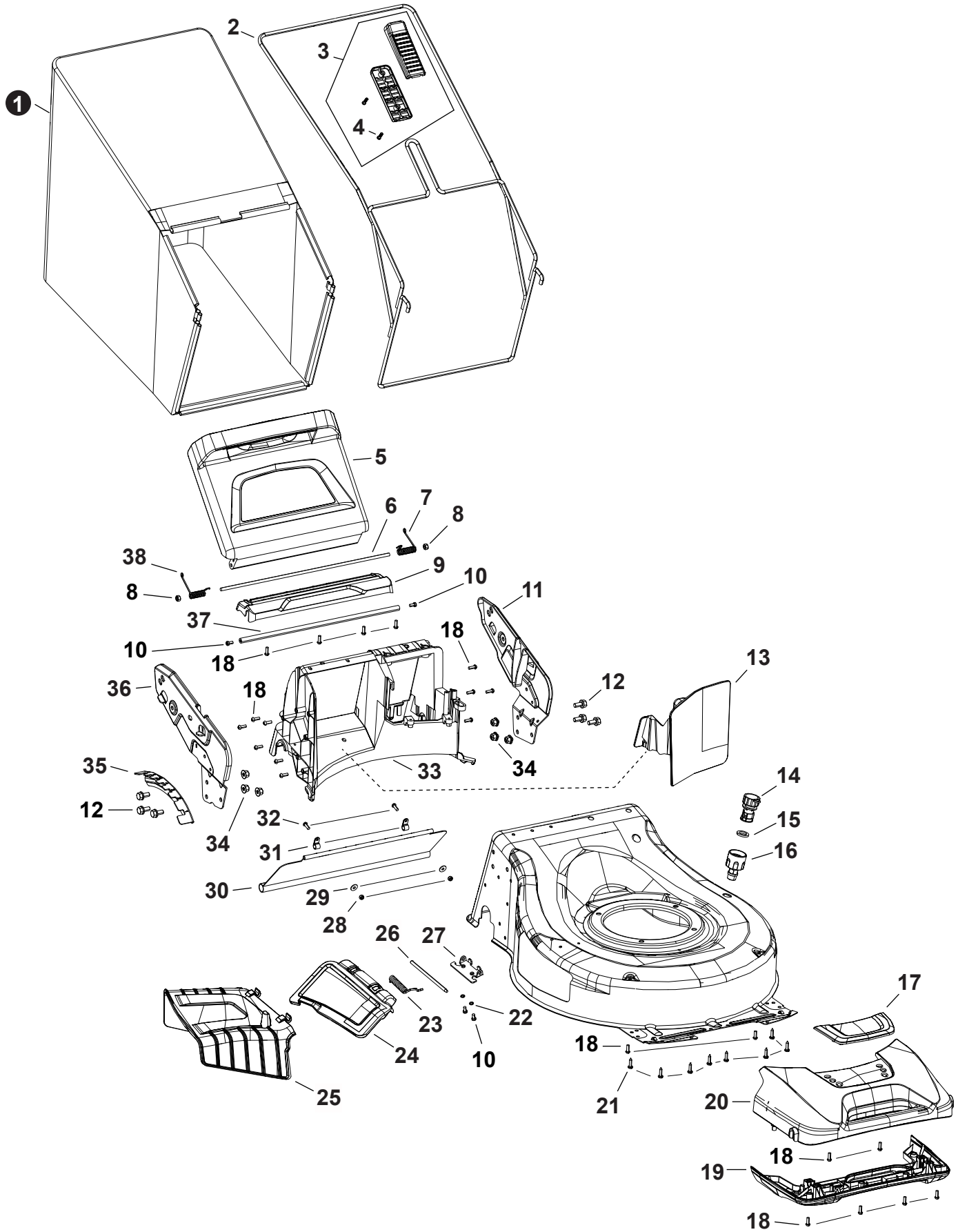
Consultez le fabricant de
l'équipement d'origine pour
les pièces de rechange ou le
remplacement du moteur.



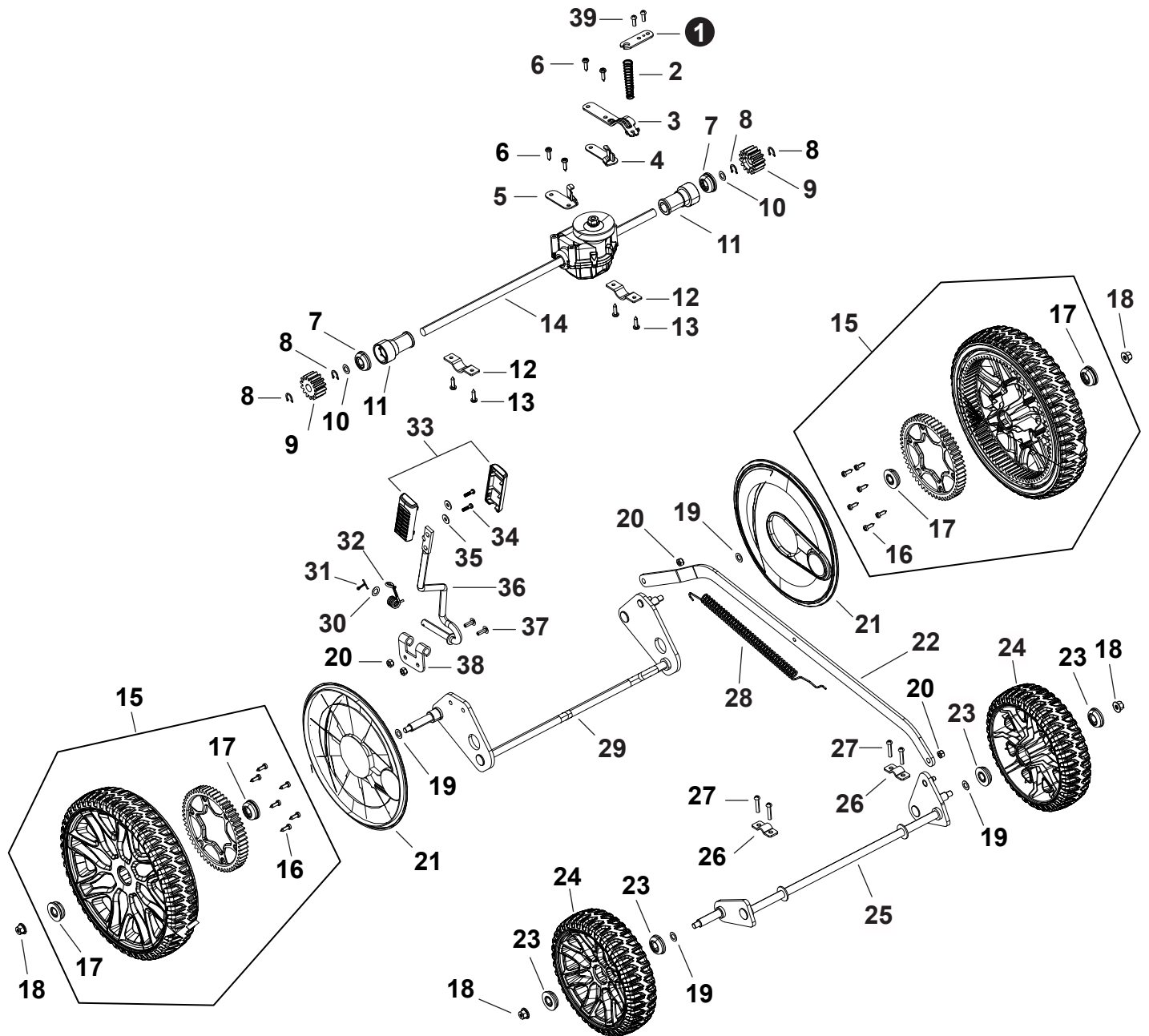
| NO. | PART NUMBER | QTY. | DESCRIPTION | DESCRIPCIÓN |
|-----------|--------------------|----------|---------------------------------|--|
| 1 | YH475000300 | 3 | SPACER | ESPACIADOR |
| 2 | YH435000830 | 2 | BOLT, ENGINE MOUNTING | PERNO, MONTAJE DEL MOTOR |
| 3 | YH427000010 | 2 | SCREW | TORNILLO |
| 4 | YH466000790 | 1 | GUIDE, BELT | GUÍA, CORREA |
| 5 | YH472000170 | 1 | PULLEY, DRIVE | POLEA MOTRIZ |
| 6 | YH421000000 | 1 | SCREW, SET | TORNILLO DE SUJECIÓN |
| 7 | YH479003060 | 1 | GUARD, BELT | PROTECTOR, CORREA |
| 8 | YH451000590 | 2 | WASHER | ARANDELA |
| 9 | YH450000560 | 2 | NUT | TUERCA |
| 10 | YH456000090 | 1 | ADAPTOR, BLADE | ADAPTADOR, CUCHILLA |
| 11 | 99988806001 | 1 | BLADE SET | JUEGO DE CUCHILLAS |
| 12 | YH435001010 | 1 | +BLADE BOLT & NUT SET - NESTING | +JUEGO DE PERNOS Y TUERCAS DE HOJA - ANIDADO |
| 13 | YH435000800 | 1 | BOLT, BLADE MOUNTING | PERNO, MONTAJE DE LA HOJA |
| 14 | YH451000580 | 1 | WASHER | ARANDELA |
| 15 | YH475000290 | 1 | PLATE, PRESSURE | PLACA, PRESIÓN |
| 16 | YH427000000 | 2 | SCREW | TORNILLO |
| 17 | YH454000060 | 1 | V-BELT | CORREA TRAPEZOIDAL TIPO V |
| 18 | YH435000820 | 1 | BOLT, ENGINE MOUNTING | PERNO, MONTAJE DEL MOTOR |
| 19 | YH469000090 | 1 | KEY, FLAT | LLAVE, PLANA |



| NO. | PART NUMBER | QTY. | DESCRIPTION | DESCRIPCIÓN |
|-----|-------------|------|--------------------------------|--|
| 1 | YH466000950 | 1 | HANDLEBAR ASSY | MONTAJE DE MANUBRIO TIPO BICICLETA |
| 2 | YH466000920 | 1 | +BAIL, OPERATOR PRESENCE | +LEVIER D'ARRÊT |
| 3 | YH466000910 | 1 | +HANDLE, OPERATOR | +MANIJA, OPERADOR |
| 4 | YH427000080 | 16 | +SCREW | +TORNILLO |
| 5 | YH479003550 | 1 | +COVER, CABLE | +CUBIERTA, CABLE |
| 6 | YH479003530 | 1 | +COVER, LEFT LOWER HANDLE | +CUBIERTA, MANILLAR INFERIOR IZQUIERDO |
| 7 | YH466000900 | 1 | +BAIL, DRIVE | +VARILLA DE TRANSMISIÓN |
| 8 | YH466000890 | 1 | +BLOCK, ROTATION | +BLOQUE DE ROTACIÓN |
| 9 | YH479003510 | 2 | +SLEEVE, LEFT HANDLEBAR | +MANGUITO, MANIJA IZQUIERDA |
| 10 | YH479003520 | 2 | +SLEEVE, RIGHT HANDLEBAR | +MANGUITO, MANIJA DERECHA |
| 11 | YH415001180 | 1 | +SCREW | +TORNILLO |
| 12 | YH466000870 | 1 | +BLOCK, CABLE | +BLOQUE DE CABLE |
| 13 | YH450000580 | 1 | +NUT | +TUERCA |
| 14 | YH466000880 | 1 | +CLAMP, WIRE | +ABRAZADERA, CABLE |
| 15 | YH479003400 | 1 | +PLATE, LOWER LEFT HANDLEBAR | +PLACA, MANIJA INFERIOR IZQUIERDA |
| 16 | YH448000010 | 4 | +RIVET | +REMACHE |
| 17 | YH427000060 | 2 | +SCREW | +TORNILLO |
| 18 | YH479003300 | 2 | +PLATE, HANDLEBAR ADJ. | +PLACA, AJUSTE DEL MANILLAR |
| 19 | YH471000150 | 2 | +PIN | +PASADOR |
| 20 | YH476000410 | 2 | +SPRING | +RESORTE |
| 21 | YH450000600 | 2 | +NUT | +TUERCA |
| 22 | YH427000070 | 2 | +SCREW | +TORNILLO |
| 23 | YH450000560 | 2 | +NUT | +TUERCA |
| 24 | YH479003500 | 1 | +PLATE, LOWER RIGHT HANDLEBAR | +PLACA, MANIJA INFERIOR DERECHA |
| 25 | YH466000850 | 1 | +HANDLEBAR | +MANUBRIO TIPO BICICLETA |
| 26 | YH466000860 | 1 | +GUIDE, WIRE | +GUÍA, ALAMBRE |
| 27 | YH450000610 | 1 | +NUT | +TUERCA |
| 28 | YH476000420 | 1 | +SPRING, DRIVE BAIL | +RESORTE, GANCHO DE TRANSMISIÓN |
| 29 | YH479003540 | 1 | +COVER, RIGHT LOWER HANDLE | +CUBIERTA, MANILLAR INFERIOR DERECHO |
| 30 | YH601000240 | 1 | CABLE ASSY., DRIVE | CONJ. DE CABLE, TRANSMISIÓN |
| 31 | YH601000250 | 1 | CABLE ASSY., OPERATOR PRESENCE | CONJ. DE CABLE, PRESENCIA DEL OPERADOR |



| NO. | PART NUMBER | QTY. | DESCRIPTION | DESCRIPCIÓN |
|-----|--------------------|------|------------------------------|--|
| 1 | YH486000030 | 1 | BAG, GRASS | BOLSA, CÉSPED |
| 2 | YH486000020 | 1 | FRAME, GRASS BAG | ARMAZON, BOLSA RECOGEDORA DE CÉSPED |
| 3 | YH466000940 | 1 | HANDLE KIT, GRASS BAG | KIT DE ASA PARA BOLSA DE CÉSPED |
| 4 | YH427000080 | 2 | +SCREW | +TORNILLO |
| 5 | YH479003290 | 1 | COVER, REAR DISCHARGE | CUBIERTA, DESCARGA TRASERA |
| 6 | YH466000840 | 1 | ROD, REAR DISCHARGE COVER | VARILLA, CUBIERTA DE DESCARGA TRASERA |
| 7 | YH476000400 | 1 | SPRING, RIGHT REAR DOOR | RESORTE, PUERTA TRASERA DERECHA |
| 8 | YH450000590 | 2 | NUT | TUERCA |
| 9 | YH479003280 | 1 | PLATE, REAR COVER MOUNTING | PLACA, MONTAJE DE CUBIERTA TRASERA |
| 10 | YH417000020 | 4 | SCREW | TORNILLO |
| 11 | YH479003270 | 1 | BRACKET, LEFT HANDLEBAR | SOPORTE, MANILLAR IZQUIERDO |
| 12 | YH435000810 | 6 | BOLT | PERNO |
| 13 | YH479003210 | 1 | PLUG, MULCH | TAPÓN, MULCHING |
| 14 | YH467000890 | 1 | ADAPTOR, HOSE | ADAPTADOR DE MANGUERA |
| 15 | YH468001980 | 1 | O-RING | JUNTA TÓRICA |
| 16 | YH467000850 | 1 | PORT, HOSE | PUERTO DE MANGUERA |
| 17 | YH479003110 | 1 | COVER, DECORATIVE | CUBIERTA, DECORATIVA |
| 18 | YH427000000 | 22 | SCREW | TORNILLO |
| 19 | YH479003090 | 1 | BASE, FRONT COVER | BASE DE CUBIERTA FRONTAL |
| 20 | YH479003100 | 1 | COVER, FRONT | CUBIERTA DE FRENTE |
| 21 | YH427000030 | 8 | SCREW | TORNILLO |
| 22 | YH451000620 | 2 | WASHER | ARANDELA |
| 23 | YH476000370 | 1 | SPRING, SIDE DISCHARGE COVER | RESORTE, CUBIERTA DE DESCARGA LATERAL |
| 24 | YH479003190 | 1 | COVER, SIDE DISCHARGE | CUBIERTA, DESCARGA LATERAL |
| 25 | YH479003200 | 1 | CHUTE, SIDE DISCHARGE | CONDUCTO, DESCARGA LATERAL |
| 26 | YH466000810 | 1 | ROD, SIDE DISCHARGE COVER | VARILLA, CUBIERTA DE DESCARGA LATERAL |
| 27 | YH479003180 | 1 | PLATE, SIDE COVER MOUNTING | PLACA, MONTAJE DE CUBIERTA LATERAL |
| 28 | YH450000620 | 2 | NUT | TUERCA |
| 29 | YH451000640 | 2 | WASHER | ARANDELA |
| 30 | YH479003560 | 1 | SHIELD, DEBRIS | PROTECTOR CONTRA RESIDUOS |
| 31 | YH466000930 | 2 | CLAMP | ABRAZADERA |
| 32 | YH415001190 | 2 | SCREW | TORNILLO |
| 33 | YH479003070 | 1 | BAFFLE, REAR | DEFLECTOR TRASERO |
| 34 | YH450000560 | 6 | NUT | TUERCA |
| 35 | YH479003250 | 1 | PLATE, HEIGHT ADJUSTMENT | PLACA, AJUSTE DE ALTURA |
| 36 | YH479003260 | 1 | BRACKET, RIGHT HANDLEBAR | SOPORTE, MANILLAR DERECHO |
| 37 | YH466000830 | 1 | ROD, HANDLEBAR BRACKET | VARILLA, SOPORTE DE MANIJA |
| 38 | YH476000390 | 1 | SPRING, LEFT REAR DOOR | RESORTE, PUERTA TRASERA IZQUIERDA |



| NO. | PART NUMBER | QTY. | DESCRIPTION | DESCRIPCIÓN |
|-----|--------------------|----------|-------------------------------|---|
| 1 | YH479003170 | 1 | PLATE, CABLE MOUNTING | PLACA, MONTAJE DEL CABLE |
| 2 | YH476000360 | 1 | SPRING, DRIVE CABLE | RESORTE, CABLE DE TRANSMISIÓN |
| 3 | YH479003160 | 1 | PLATE, CABLE ADJUSTMENT | PLACA, AJUSTE DEL CABLE |
| 4 | YH479003140 | 1 | BELT GUARD, REAR LEFT | PROTECTOR DE CORREA TRASERA IZQUIERDA |
| 5 | YH479003150 | 1 | BELT GUARD, REAR RIGHT | PROTECTOR DE CORREA TRASERA DERECHA |
| 6 | YH427000040 | 4 | SCREW | TORNILLO |
| 7 | YH453000230 | 2 | BEARING | COJINETE |
| 8 | YH474000010 | 4 | RING, RETAINING | ANILLO DE RETENCIÓN |
| 9 | YH464000050 | 2 | GEAR, DRIVE | ENGRENAJE IMPULSOR |
| 10 | YH451000610 | 2 | WASHER | ARANDELA |
| 11 | YH484000060 | 2 | SLEEVE, SHAFT | MANGUITO, EJE |
| 12 | YH479003130 | 2 | BRACKET, AXLE RETAINER | SOPORTE, RETENCIÓN DEL EJE |
| 13 | YH427000030 | 4 | SCREW | TORNILLO |
| 14 | YH602000120 | 1 | ASSY, TRANSMISSION | CONJUNTO DE TRANSMISIÓN |
| 15 | YH478000270 | 2 | WHEEL, ASSY., REAR | CONJUNTO DE RUEDA TRASERA |
| 16 | YH427000000 | 12 | +SCREW | +TORNILLO |
| 17 | YH453000220 | 4 | +BEARING | +COJINETE |
| 18 | YH450000560 | 4 | NUT | TUERCA |
| 19 | YH451000600 | 4 | WASHER | ARANDELA |
| 20 | YH450000580 | 4 | NUT | TUERCA |
| 21 | YH479003120 | 2 | COVER, DUST | CUBIERTA ANTIPOLVO |
| 22 | YH466000800 | 1 | ROD, HEIGHT ADJUSTMENT | VARILLA, AJUSTE DE ALTURA |
| 23 | YH453000220 | 4 | BEARING | COJINETE |
| 24 | YH478000250 | 2 | WHEEL, FRONT | RUEDA DELANTERA |
| 25 | YH478000260 | 1 | AXLE, FRONT | EJE DELANTERO |
| 26 | YH479003080 | 2 | BRACKET, AXLE RETAINER | SOPORTE, RETENCIÓN DEL EJE |
| 27 | YH427000020 | 4 | SCREW | TORNILLO |
| 28 | YH476000350 | 1 | SPRING | RESORTE |
| 29 | YH478000280 | 1 | AXLE, REAR | EJE, TRASERO |
| 30 | YH451000630 | 1 | WASHER | ARANDELA |
| 31 | YH471000140 | 1 | PIN | PASADOR |
| 32 | YH476000380 | 1 | SPRING | RESORTE |
| 33 | YH479003230 | 1 | COVER KIT, HEIGHT ADJ. HANDLE | KIT DE CUBIERTA DE MANIJA DE AJUSTE DE ALTURA |
| 34 | YH427000050 | 2 | SCREW | TORNILLO |
| 35 | YH451000640 | 2 | WASHER | ARANDELA |
| 36 | YH466000820 | 1 | HANDLE, HEIGHT ADJUSTMENT | ASA, AJUSTE DE ALTURA |
| 37 | YH417000030 | 2 | SCREW | TORNILLO |
| 38 | YH479003220 | 1 | PLATE, HEIGHT ADJ. HANDLE | PLACA, AJUSTE DE ALTURA MANIJA |
| 39 | YH427000000 | 2 | SCREW | TORNILLO |