

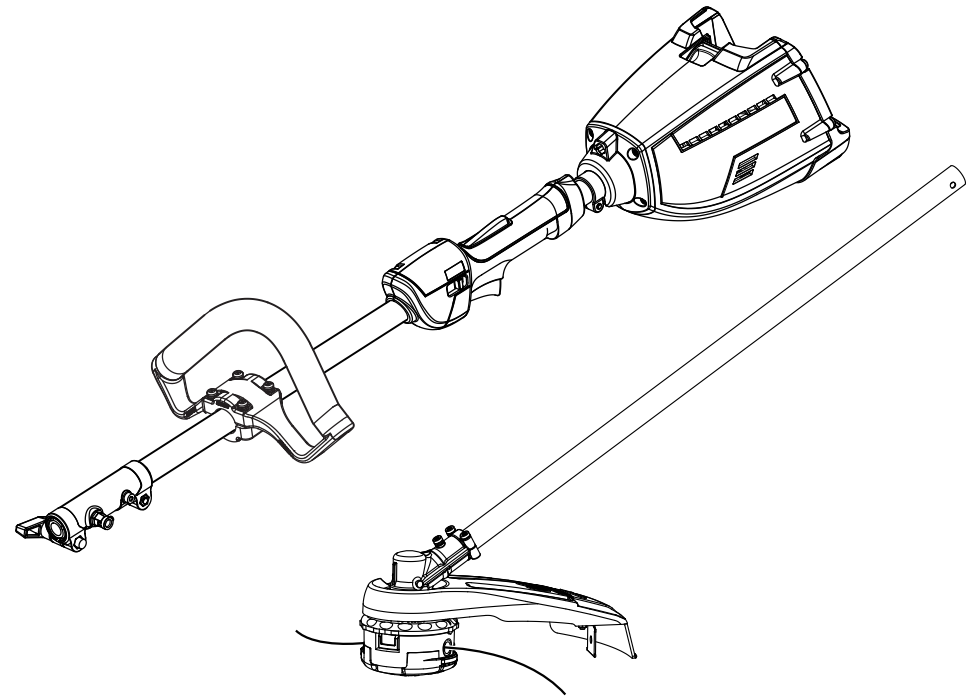


PARTS CATALOG

CST-58V SPLIT BOOM TRIMMER (Includes) CPH-58V 58 VOLT POWER HEAD and SSA-58V STRAIGHT SHAFT TRIMMER ATTACHMENT

MANUFACTURING NUMBERS

307332001 (CPH-58V) and 307340001 (SSA-58V)



ECHO, INCORPORATED

400 Oakwood Road, Lake Zurich, Illinois 60047

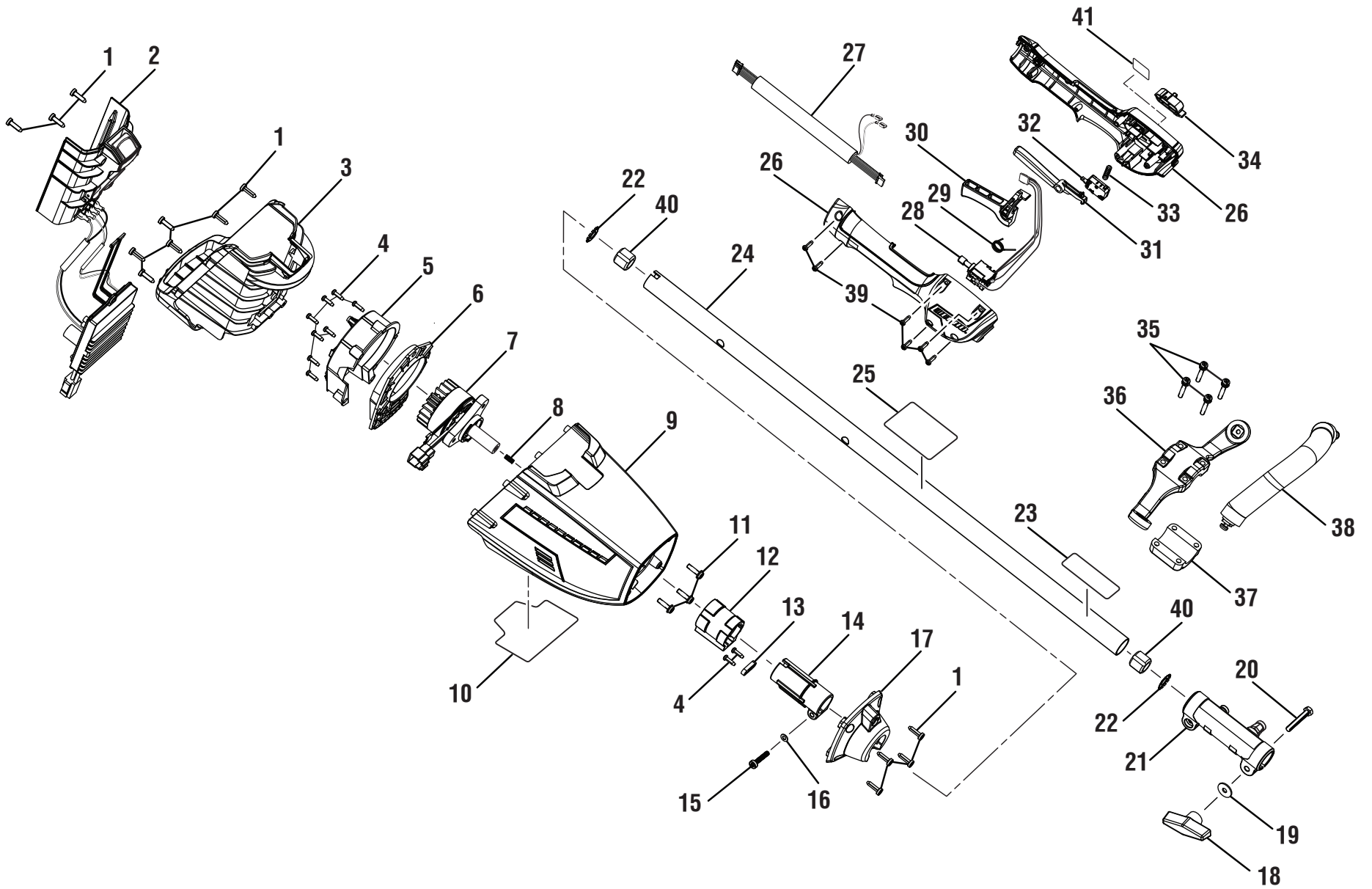
WWW.ECHO-USA.COM

©2019 ECHO, Incorporated. All Rights Reserved

99922205188 (TTI#991000234R, 991000235R)

9-9-19 (Rev:06)

ECHO 58 VOLT POWER HEAD – ITEM NUMBER CPH-58V



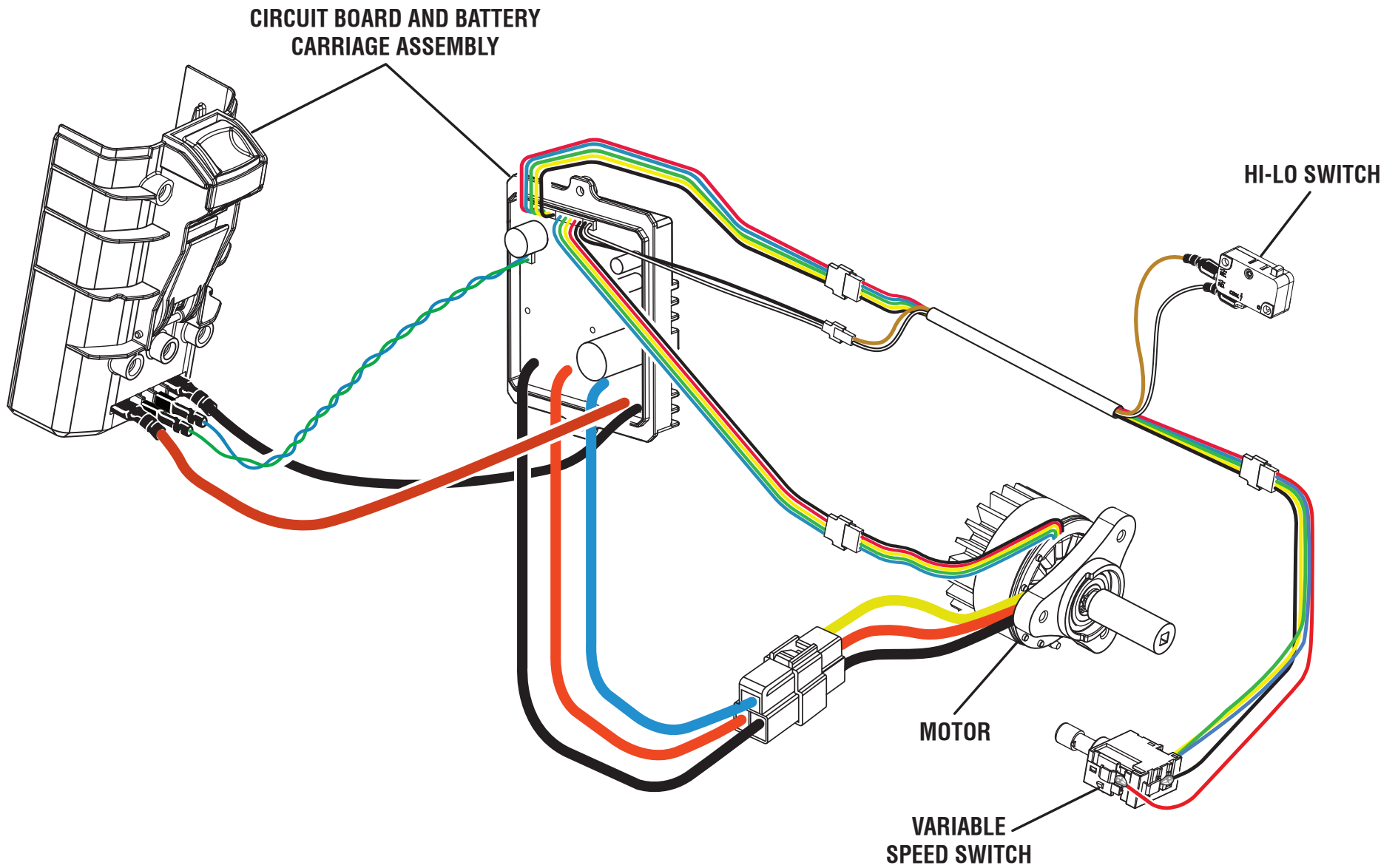
ECHO 58 VOLT POWER HEAD – ITEM NUMBER CPH-58V

The model number will be found on a label attached to the motor housing. Always mention the model number and manufacturing number of your **POWER HEAD** when requesting service or ordering repair parts.

PARTS LIST

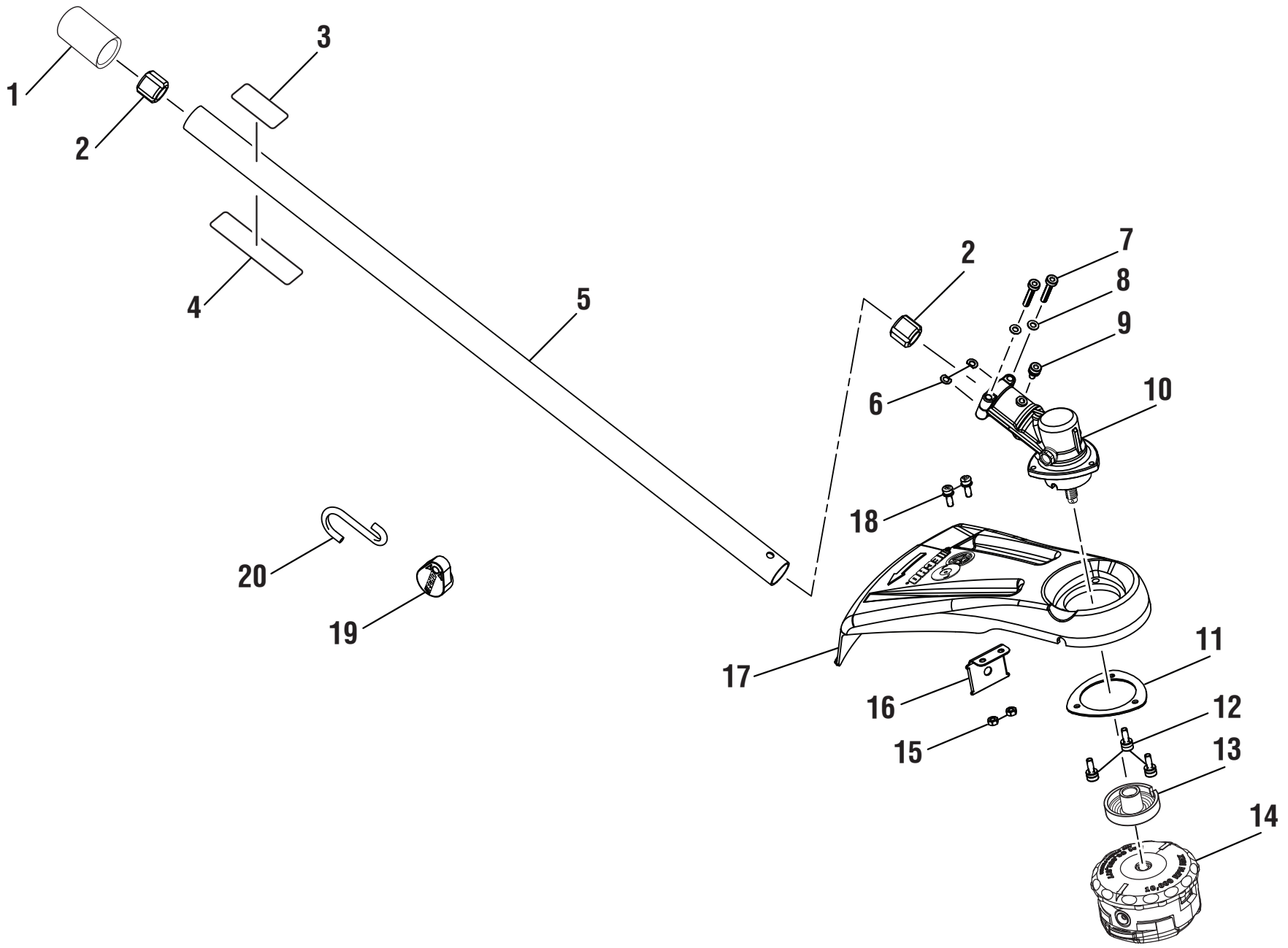
KEY	P/N	DESCRIPTION	QTY	KEY	P/N	DESCRIPTION	QTY
1	662051002	Screw (M5 x 18 mm, T25 Torx Pan Hd.).....	13	25	940851039	Boom Label	1
2	307894001	Circuit Board and Battery Carriage Assembly.....	1	26	307839001	Rear Handle Housing Assembly (Inc. Key 41).....	1
3	528291001	Battery Mounting Box.....	1	27	291357001	Wire Assembly.....	1
4	661817001	Screw (M4 x 13.5 mm, T15 Torx Pan Hd.).....	10	28	760952002	Variable Speed Switch.....	1
5	528332001	Motor Cover.....	1	29	694572001	Torsion Spring.....	1
6	528333001	Motor Volute	1	30	528236001	Switch Trigger (Button)	1
7	230555002	Motor and Pinion Assembly	1	31	528235001	Lock-Out Button.....	1
8	679065001	Compression Spring.....	1	32	760689007	Hi-Lo Switch.....	1
9	307838001	Motor Housing Assembly (Inc. Key 10)	1	33	679973001	Compression Spring (Trigger).....	1
10	941588074	Data Label	1	34	528489001	Switch Actuator	1
11	662052001	Screw (M5 x 15 mm, T25 Torx Flange Hd.)	3	35	662184001	Screw w/Washers (M5 x 26 mm, Pan Hd.).....	4
12	563584001	Ring (Rubber).....	1	36	528392001	Bracket (Handle).....	1
13	513211001	Wire Clamp	1	37	528393001	Clamp (Auxiliary Handle)	1
14	642395001	Coupler	1	38	307893001	Front Handle Assembly	1
15	662174001	Screw (M5 x 26 mm, T25 Torx Pan Hd.).....	1	39	660024061	Screw (M4 x 14 mm, T20 Torx Pan Hd.).....	6
16	678287001	Washer (ID5.2 x OD10 x 1t)	1	40	563602001	Spacer	2
17	528293001	End Cap.....	1	41	940851047	Throttle Label.....	1
18	528274001	Knob Assembly	1	Not Shown:			
19	636191001	Washer (ID6.6 x OD20 x t1.6)	1	000998945DG9	58V Battery Pack (CBP-58V20, Not Included)		
20	662155001	Screw (M6 x 40 mm, Hex Hd.).....	1	000998946DG9	58V Battery Pack (CBP-58V40, Not Included)		
21	307339001	Coupler Assembly	1	140330001	58V Charger (CBC-58V, Not Included)		
22	636602001	Spring Washer (ID11 x OD23 x 1.54t).....	2	991000234	Operator's Manual (ECHO #99922205224)		
23	940657154	Warning Icon Label.....	1				
24	307840001	Upper Boom Assembly (Inc. Key Nos. 22-23, 25 and 40).....	1				

ECHO 58 VOLT POWER HEAD – ITEM NUMBER CPH-58V



WIRING DIAGRAM

ECHO 58 VOLT STRAIGHT SHAFT TRIMMER ATTACHMENT - ITEM NUMBER SSA-58V



ECHO 58 VOLT STRAIGHT SHAFT TRIMMER ATTACHMENT – ITEM NUMBER SSA-58V

The model number will be found on a label attached to the boom. Always mention the model number and manufacturing number of your **TRIMMER ATTACHMENT** when requesting service or ordering repair parts.

PARTS LIST

KEY	P/N	DESCRIPTION	QTY
1	518366001	End Cap.....	1
2	563602001	Rubber Spacer	2
3	940851010	Warning Icon Label.....	1
4	941588075	Data Label	1
5	307841001	Lower Boom Assembly (Inc. Key Nos. 1-4).....	1
6	636270001	Washer (Special).....	2
7	662174001	Screw (M5 x 26 mm, T25 Torx Hd.).....	2
8	636603001	Washer (ID5.2 x OD10 x 1t)	2
9	662171001	Screw w/Washers (M5 x 7 mm, T25 Torx Pan Hd.).....	1
10	220362002	Gear Box	1
11	636192001	Fixed Plate.....	1
12	662158001	Screw w/Washers (M5 x 12.5 mm, T25 Torx Pan Hd.).....	3
13	642394001	Flanged Washer.....	1
14	307342002	Stringhead Assembly	1
15	662157001	Hex Nut (M5).....	2
16	636193001	Line Cutting Blade.....	1
17	528232001	Grass Deflector.....	1
18	662156001	Screw w/Washers (M5 x 12 mm, Pan Hd.).....	2
19	528448001	Boom Cap	1
20	636290001	Storage Hook	1
Not Shown:			
	321080060	0.080 in. Silentwist® (1/2 lb. Donut, Not Included)	
	321095060	0.095 in. Silentwist® (1/2 lb. Donut, Not Included)	
	991000235	Operator's Manual (ECHO #99922205223)	