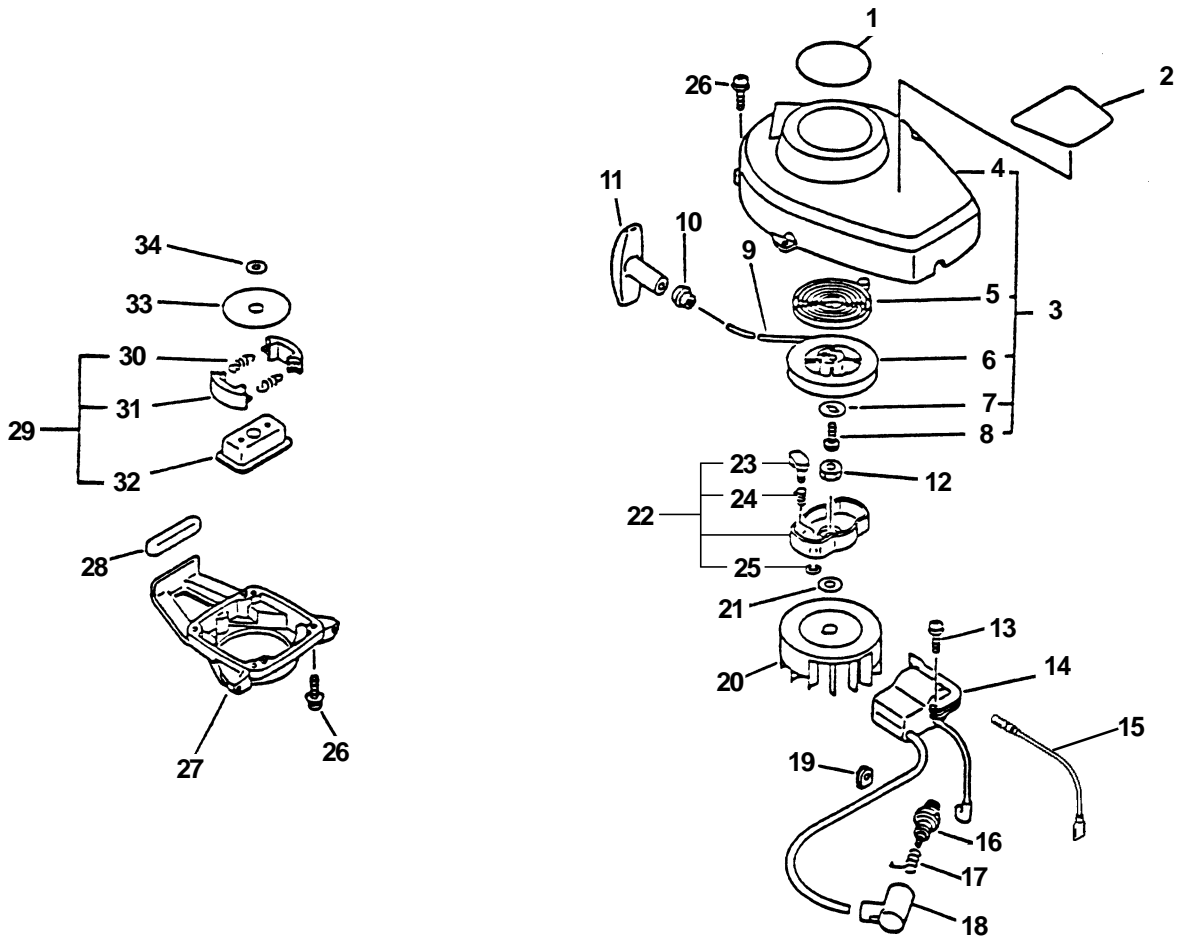


KEY	PART NUMBER	QTY	DESCRIPTION	REMARKS
1	-----	1	CRANKCASE KIT	USE SB1032
2	10021242030	2	OILSEAL	
3	90016205028	3	SCREW 5X28	
4	10021503930	2	PIN, DOWEL	
5	90081036201	2	BEARING, BALL 6201	
6	-----	1	CRANKSHAFT ASY	USE SB1032
7	10001251230	1	BEARING, NEEDLE	S/N 001001 - 037263
7	10011305930	1	BEARING, NEEDLE	S/N 037264 & UP
8	-----	1	GASKET, CRANKCASE	INCLUDED IN KIT 88900006560
9	10000044330	1	PISTON KIT S/N 001001 - 015999	INCLUDES ITEMS 10 - 13
9	10000011520	1	PISTON KIT S/N 016000 & UP	INCLUDES ITEMS 10 - 13
10	10001411520	2	SPACER, PISTON PIN	S/N 001001 - 037263
10	10001408960	2	SPACER, PISTON PIN	S/N 037264 & UP
11	10001504630	2	CIRCLIP, PISTON PIN	
12	10001311520	1	PIN, PISTON	
13	10001105330	2	RING, PISTON	(S/N 001001 - 015999 QTY 1)
14	10101044332	1	GASKET, CYLINDER BASE	INCLUDED IN KIT 88900006560
15	10101145230	1	CYLINDER	S/N 001001 - 037263
15	10101106562	1	CYLINDER	S/N 037264 & UP
16	90016205022	2	BOLT, H.S. 5X22	
17	90023804022	2	SCREW 4X22	
18	10151408960	1	COVER, CYLINDER	

**ENGINE REPOWER**

SB1032	1	SHORT BLOCK	INCLUDES FACTORY ASSEMBLED CYLINDER, CRANKCASE, PISTON CRANKSHAFT, BEARINGS & SEALS
88900006560	1	GASKET KIT	INCLUDES THE FOLLOWING ITEMS
-----	1	GASKET, CRANKCASE	
10101044332	1	GASKET, CYLINDER BASE	
13001042032	1	GASKET, INTAKE	
13001642031	1	GASKET, INTAKE	
14551042031	2	GASKET, MUFFLER	
14586642031	1	GASKET, MUFFLER LID	
61041405360	1	GASKET, GEAR HOUSING	

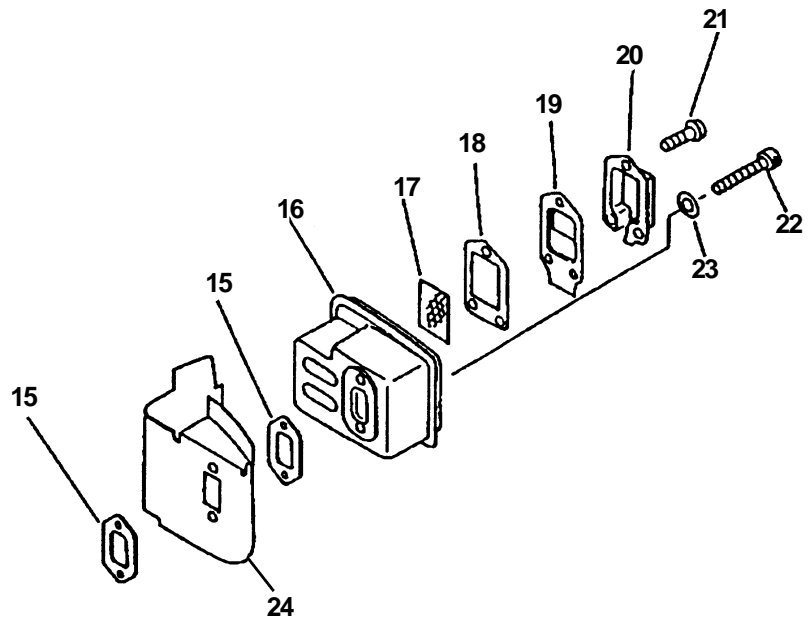
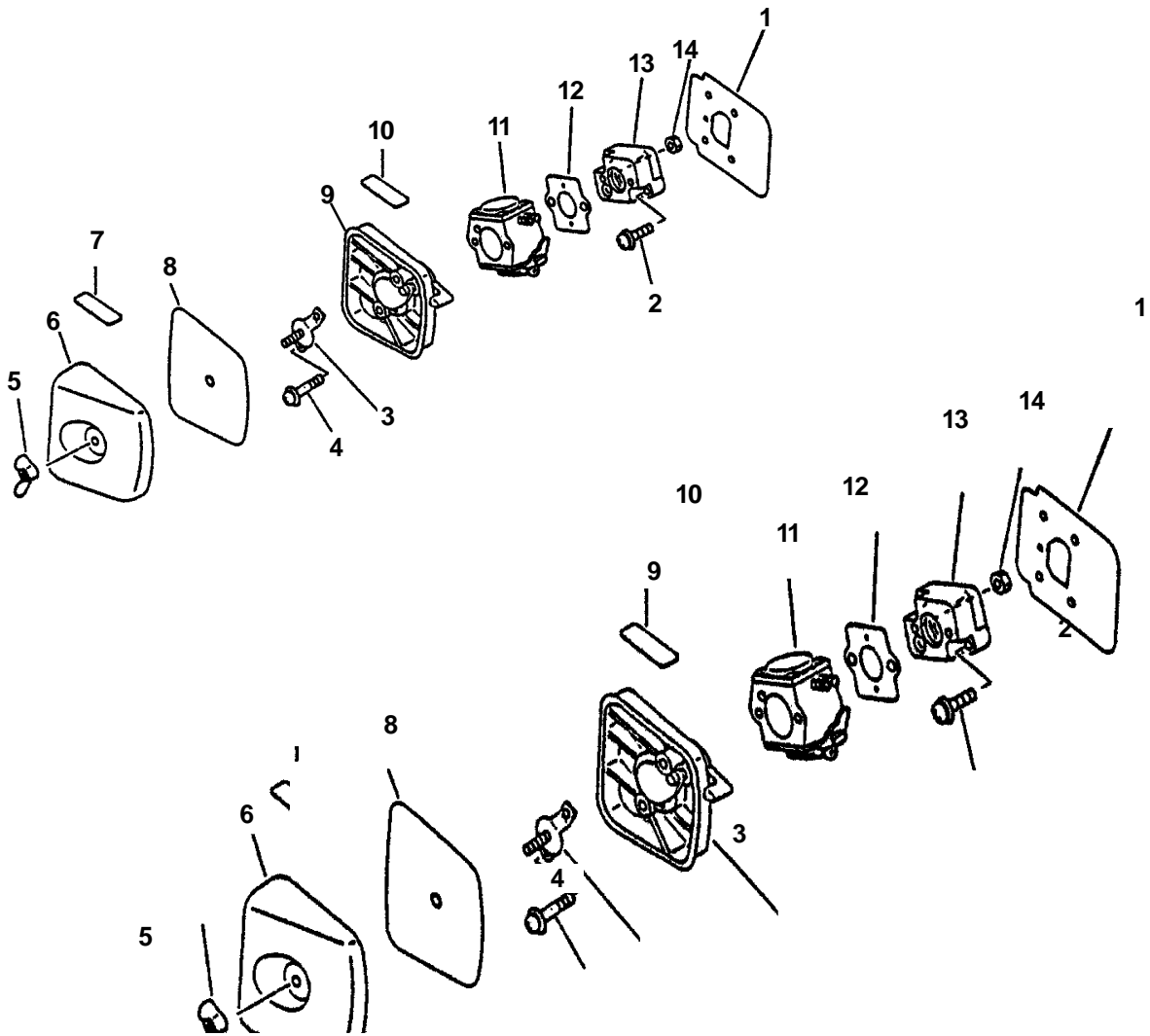


## STARTER, IGNITION, CLUTCH

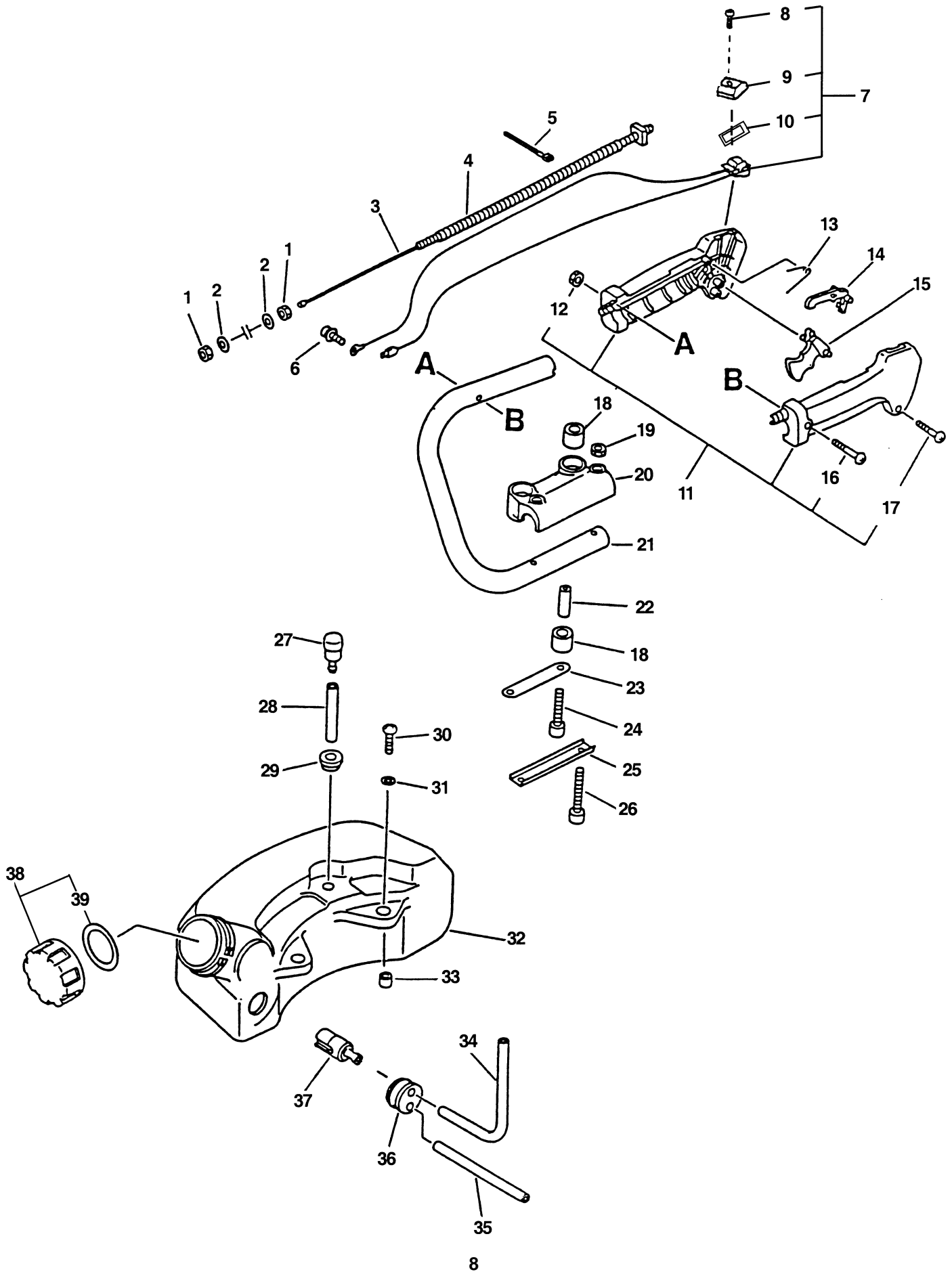
HC-2000

KEY	PART NUMBER	QTY	DESCRIPTION	REMARKS
1	89011207761	1	LABEL, ECHO/MODEL	
2	89011607761	1	LABEL, CAUTION	
3	17720005962	1	STARTER ASY	INCLUDES ITEMS 4 - 11
4	17723205961	1	CASE, STARTER	
5	17722042030	1	SPRING, REWIND	
6	17721505960	1	DRUM, STARTER	
7	17721442030	1	WASHER	
8	17723640630	1	SCREW	
9	-----	1	ROPE, STARTER	USE BULK ROPE 99944400040 DIA. 3 mm (.12 in.) X 890 mm (35 in.)
10	17722742030	1	GUIDE, ROPE	
11	17722806530	1	GRIP, STARTER	
12	90051200008	1	NUT	
13	90016204022	2	BOLT, H.S. 4X22	
14	15660144731	1	COIL, IGNITION	S/N 001001 - 037263
14	15660152130	1	COIL, IGNITION	S/N 037264 & UP
15	16201052830	1	LEAD	S/N 037264 & UP
16	15901010630	1	PLUG, SPARK BPM-7A	S/N 001001 - 037263
16	99944500071	1	PLUG, SPARK BPM-7Y	S/N 037264 & UP
16	15901710230	1	PLUG, SPARK RCJ-7Y	CANADIAN MODELS
17	15901103432	1	COIL, SPARK PLUG CAP	
18	15901201620	1	CAP, SPARK PLUG	
19	15611004920	1	GROMMET	
20	15680144731	1	FLYWHEEL	
21	90060000008	1	WASHER 8	
22	17720207360	1	PAWL ASY, STARTER	INCLUDES ITEMS 23 - 25
23	17721842030	1	PAWL, STARTER	
24	17723405960	1	SPRING, RETURN	
25	90070000004	1	E-RING 4	
26	90016304016	8	BOLT, H.S. 4X16	
27	17505506960	1	HOUSING, CLUTCH	
28	13192028230	1	CUSHION, FUEL TANK	
29	17500002962	1	CLUTCH ASY	INCLUDES ITEMS 30 - 32
30	17501805130	2	SPRING, CLUTCH	S/N 001001 - 025326
30	17501805960	2	SPRING, CLUTCH	S/N 025327 & UP
31	17500905131	2	SHOE, CLUTCH	
32	17501607330	1	HUB, CLUTCH	
33	17501904920	1	PLATE, CLUTCH	
34	17501405360	1	WASHER, CLUTCH	

REVISED 11/00

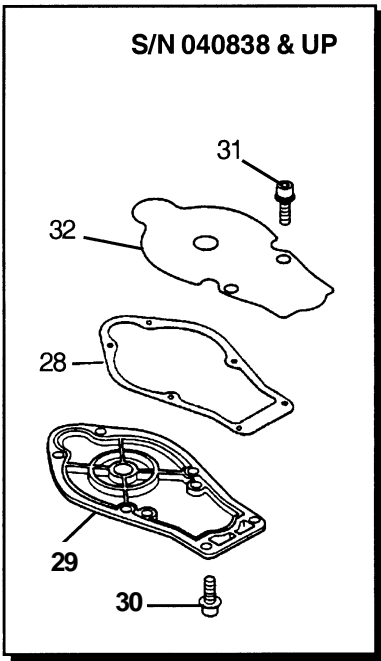
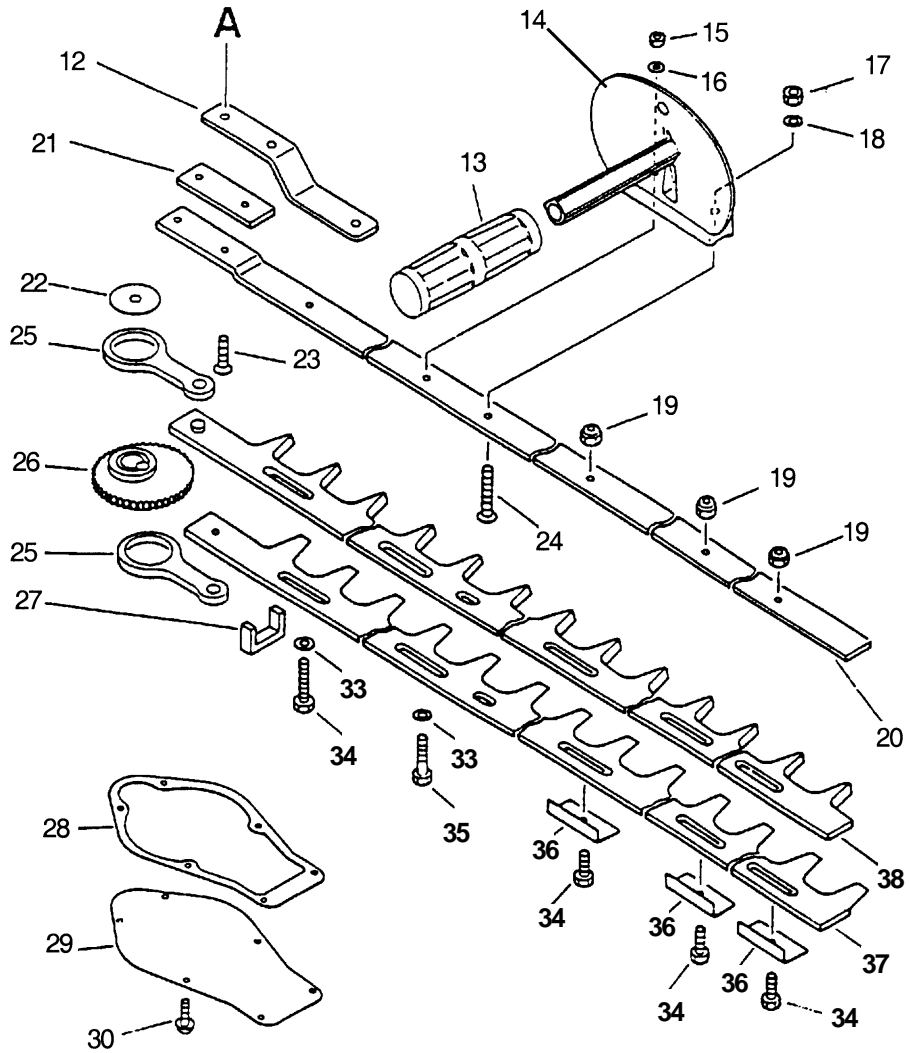
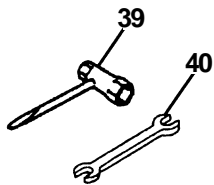
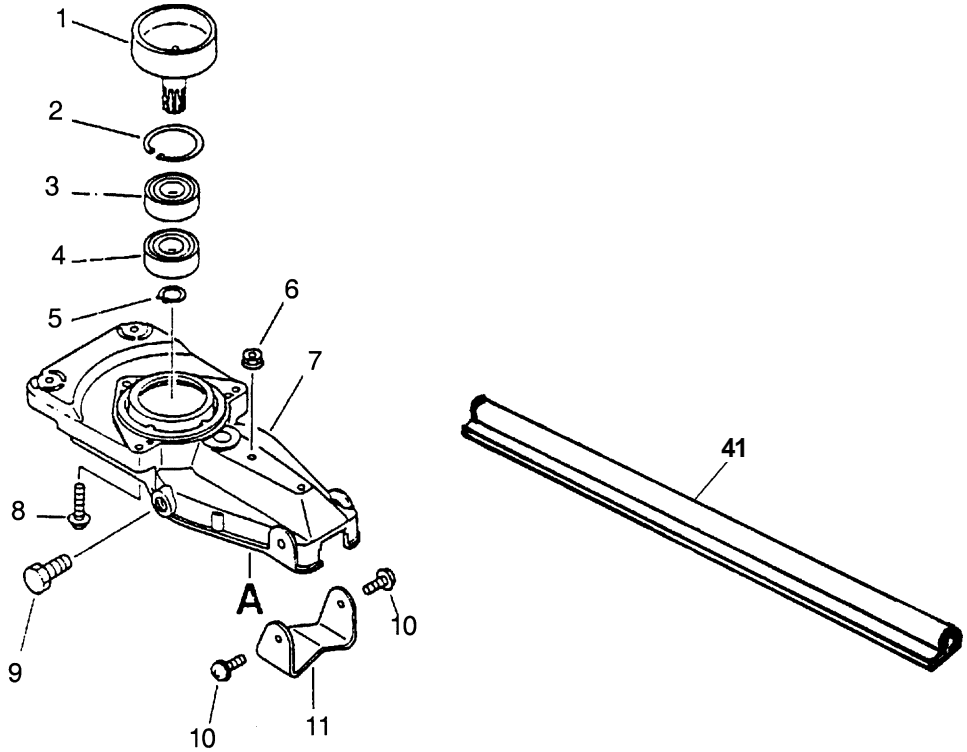


KEY	PART NUMBER	QTY	DESCRIPTION	REMARKS
1	13001042032	1	GASKET, INTAKE	INCLUDED IN KIT 88900006560
2	90023805020	2	SCREW 5X20	
3	12901105060	1	PLATE, PREVENT	S/N 001001 - 015999
3	12901112620	1	PLATE, PREVENT	S/N 016000 - 037219
3	12901152730	1	PLATE, PREVENT	S/N 037220 & UP
4	90024205064	2	SCREW 5X64	S/N 001001 - 006652
4	90024205065	2	SCREW 5X65	S/N 006653 & UP
5	90052800005	1	NUT, WING 5	S/N 001001 - 037219
5	21041752730	1	BOLT, WING	S/N 037220 & UP
6	13080605960	1	COVER, AIR CLEANER	S/N 001001 - 006652
6	13030206561	1	COVER, AIR CLEANER	S/N 006653 - 037219
6	13031306562	1	COVER, AIR CLEANER	S/N 037220 & UP
7	89018706960	1	LABEL, TOP	S/N 001001 - 006652
8	13031004560	1	FILTER, AIR STD.	S/N 001001 - 006652
8	13031054130	1	FILTER, AIR H.D.	S/N 006653 & UP
9	13030705361	1	CASE, AIR CLEANER	S/N 001001 - 006652
9	13030706561	1	CASE, AIR CLEANER	S/N 006653 & UP
10	89012105360	1	LABEL, CHOKE	
11	12520006962	1	CARBURETOR C1U-K18B	S/N 001001 - 015999
11	12520007761	1	CARBURETOR C1U-K35A	S/N 016000 - 037263
11	12520005961	1	CARBURETOR C1U-K51	S/N 037264 & UP
12	13001642031	1	GASKET, INTAKE	INCLUDED IN KIT 88900006560
13	13001742031	1	INSULATOR	
14	90050000005	2	NUT 5	
15	14551042031	2	GASKET, MUFFLER	INCLUDED IN KIT 88900006560
16	14580642030	1	MUFFLER	
17	14586240630	1	SCREEN, MUFFLER	
18	14586642031	1	GASKET, MUFFLER LID	INCLUDED IN KIT 88900006560
19	14587642030	1	LID, MUFFLER	
20	14586306960	1	FIXTURE, SCREEN	S/N 001001 - 037263
20	14586308960	1	FIXTURE, SCREEN	S/N 037264 & UP
21	90023804010	3	SCREW 4X10	
22	90010505055	2	BOLT, H.S. 5X55	
23	90060000005	2	WASHER 5	
24	14587144331	1	COVER, MUFFLER	

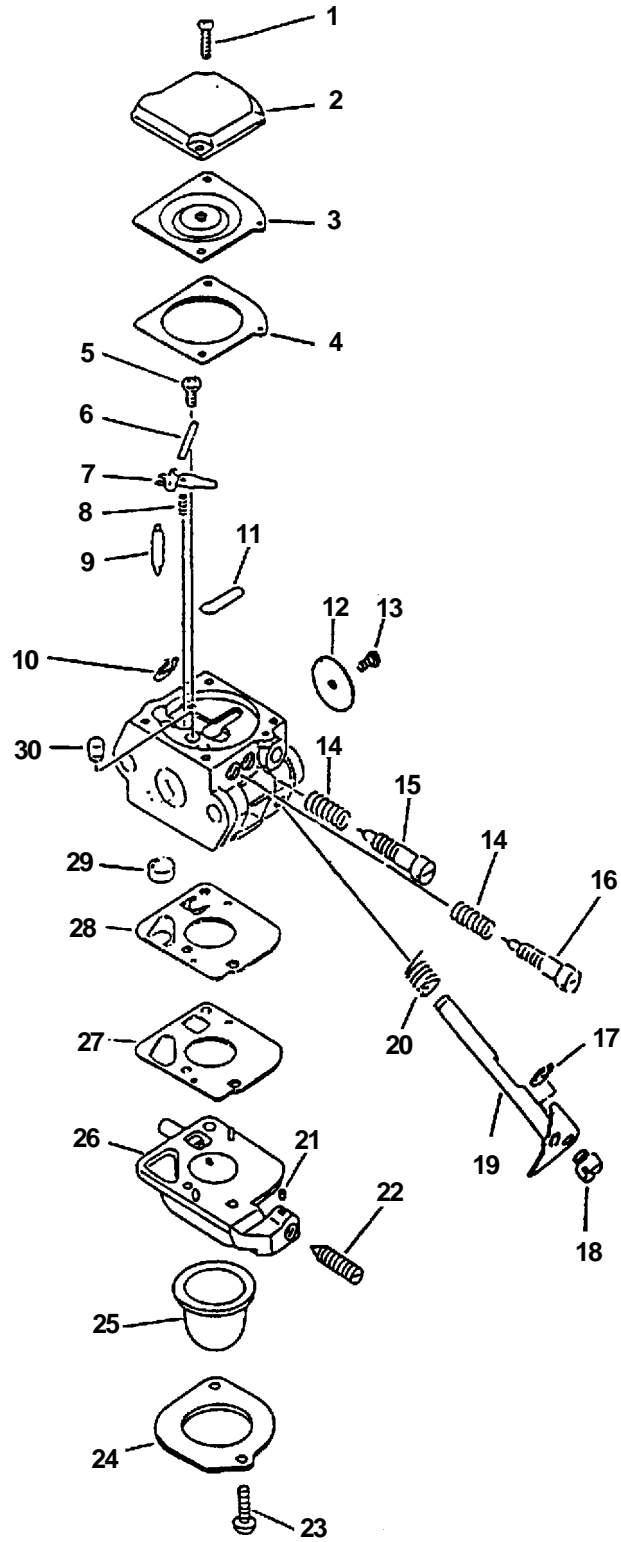




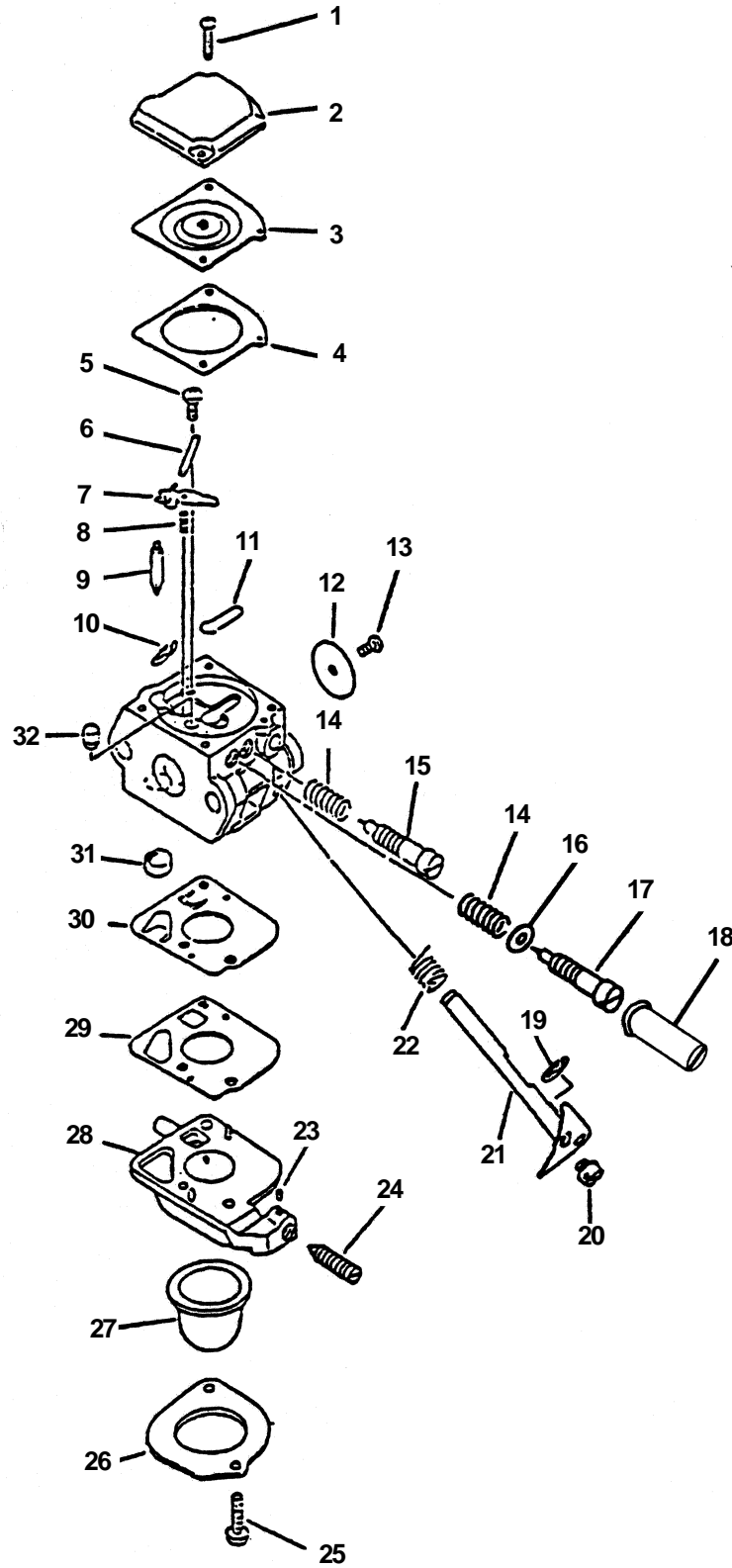
KEY	PART NUMBER	QTY	DESCRIPTION	REMARKS
1	90050200006	2	NUT 6	
2	90060000006	2	WASHER 6	
3	17800105960	1	WIRE, THROTTLE	
4	17812705960	1	TUBE	
5	17812110050	1	CLIP	
6	90023805010	1	SCREW 5X10	
7	16340005960	1	SWITCH, IGNITION	INCLUDES ITEMS 8-10
8	90022003010	1	SCREW	
9	16341049231	1	KNOB, SWITCH	
10	89015712330	1	LABEL, SWITCH	
11	35110247530	1	GRIP, KIT, HANDLE	INCLUDES ITEMS 12, 16, 17
12	90050000005	1	NUT 5	
13	17801335631	1	SPRING, THROTTLE	
14	17801205960	1	LOCKOUT, THROTTLE	
15	17801005960	1	CONTROL, THROTTLE	
16	90022005030	1	SCREW 5X30	
17	90024603025	4	SCREW 3X25	
18	35122807760	4	CUSHION	
19	90056000005	2	LOCKNUT 5	
20	35121707760	1	SUPPORTER, HANDLE	
21	35120508961	1	HANDLE, REAR	
22	35124101260	2	SPACER	
23	35124206960	1	PLATE, EYE	
24	90016205045	2	BOLT, H.S. 5X45	
25	35124301260	1	BRACKET, HANDLE	
26	90016205035	2	BOLT, H.S. 5X35	
27	13130056430	1	VENT ASY	
28	13201021160	1	PIPE, FUEL 3X5X35	
29	13211501461	1	GROMMET	
30	90023805016	2	SCREW 5X16	
31	90060300005	2	WASHER	
32	13100208960	1	TANK, FUEL	
33	13104528230	2	SPACER	
34	13201002160	1	PIPE, FUEL (INNER) 3X5X190	
35	13201006460	1	PIPE (3X6X110)	
36	13211544330	1	GROMMET	
37	13120507320	1	STRAINER, FUEL	INCLUDED IN KIT 90008
38	13100455830	1	CAP, FUEL ASY	INCLUDES ITEM 39 (USE CAP/VENT KIT 90010)
39	13101655830	1	GASKET, FUEL TANK CAP	



KEY	PART NUMBER	QTY	DESCRIPTION	REMARKS
1	17500504560	1	DRUM, CLUTCH	
2	90070200030	1	CIRCLIP 30	
3	90081336202	1	BEARING, BALL 6202	
4	90081036202	1	BEARING, BALL 6202	
5	90070100014	1	CIRCLIP 14	
6	90050000006	2	NUT 6	
7	61041007760	1	HOUSING, GEAR	S/N 001001 - 040837
7	61040707760	1	HOUSING, GEAR	S/N 040838 & UP
8	90024205025	3	SCREW 5X25	
9	90010008008	1	BOLT 8X8	
10	90023805010	2	SCREW 5X10	S/N 001001 - 040837
11	30511007760	1	STAND	S/N 001001 - 040837
12	69912006560	1	PLATE, ANGLE	
13	35101201260	1	GRIP	
14	35101002060	1	HANDLE, FRONT	
15	43302206460	1	LOCKNUT 6	
16	35124920060	1	WASHER	
17	90056000005	1	LOCKNUT 5	
18	30021700610	1	WASHER 5	
19	90056000006	3	LOCKNUT 6	
20	69911007760	1	BAR, FRAME	
21	69911807760	1	PLATE, HOLDER	
22	61035004560	1	WASHER	
23	90021206025	2	SCREW 6X25	
24	90021205030	1	SCREW 5X30	
25	61033004560	2	ROD, CONNECTING	
26	61031204560	1	GEAR	
27	61042504560	1	FELT	
28	61041405360	1	GASKET, GEAR HOUSING	INCLUDED IN KIT 88900006560
29	61041105361	1	COVER, GEAR CASE	S/N 001001 - 040837
29	61041107760	1	COVER, GEAR CASE	S/N 040838 & UP
30	90016204010	6	BOLT, H.S. 4X10	S/N 001001 - 040837
30	90016204012	6	BOLT, H.S. 4X12	S/N 040838 & UP
31	90016205012	2	BOLT, H.S. 5X12	S/N 040838 & UP
32	61044707760	1	PLATE, GEAR CASE	S/N 040838 & UP
33	69911804560	2	WASHER 6	
34	69911507760	4	BOLT 6X22	
35	69911505360	1	BOLT 6X35	
36	69921304160	3	INSULATOR	
37	69701107760	1	CUTTER, LOWER	
38	69701007760	1	CUTTER, UPPER	
39	89541006960	1	WRENCH, W/SCREWDRIVER	
40	89511200330	1	SPANNER, 8X10	
41	89852302961	1	COVER, BLADE	S/N 043455 & UP



KEY	PART NUMBER	QTY	DESCRIPTION	REMARKS
	12520006962	1	CARBURETOR C1U-K18B	INCLUDES THE FOLLOWING
1	12534413931	2	SCREW	
2	12534215130	1	COVER, DIAPHRAGM	
3	A B	1	DIAPHRAGM, METERING	
4	A B	1	GASKET, DIAPHRAGM	
5	A	1	SCREW, METERING LEVER PIN	
6	A	1	PIN, METERING LEVER	
7	A	1	LEVER, METERING	
8	A	1	SPRING, METERING LEVER	
9	A	1	VALVE, INLET NEEDLE	
10	12532715130	1	E-RING, THROTTLE SHAFT	
11	A	1	PLUG, WELCH	
12	12531642030	1	VALVE, THROTTLE	
13	12531413930	1	SCREW, THROTTLE VALVE	
14	12531942030	2	SPRING, MIXTURE NEEDLE	
15	12531842030	1	NEEDLE, LOW SPEED	
16	12532007260	1	NEEDLE, HIGH SPEED	
17	12532713930	1	CLIP	
18	12537242030	1	SWIVEL	
19	12531742030	1	SHAFT, THROTTLE	
20	12531342030	1	SPRING, THROTTLE RETURN	
21	12537813930	1	PIECE, FRICTION	
22	12533413930	1	SCREW, IDLE ADJUSTER	
23	12531011010	2	SCREW	
24	12536311610	1	RING	
25	12538146730	1	PUMP, PRIMER	
26	12532411610	1	COVER, PUMP	
27	A B	1	GASKET, FUEL PUMP	
28	A B	1	DIAPHRAGM, FUEL PUMP	
29	A	1	STRAINER	
30	12537642030	1	NOZZLE, CHECK VALVE	
A	12530006960	1	REPAIR KIT	
B	12530311520	1	GASKET/DIAPHRAGM KIT	

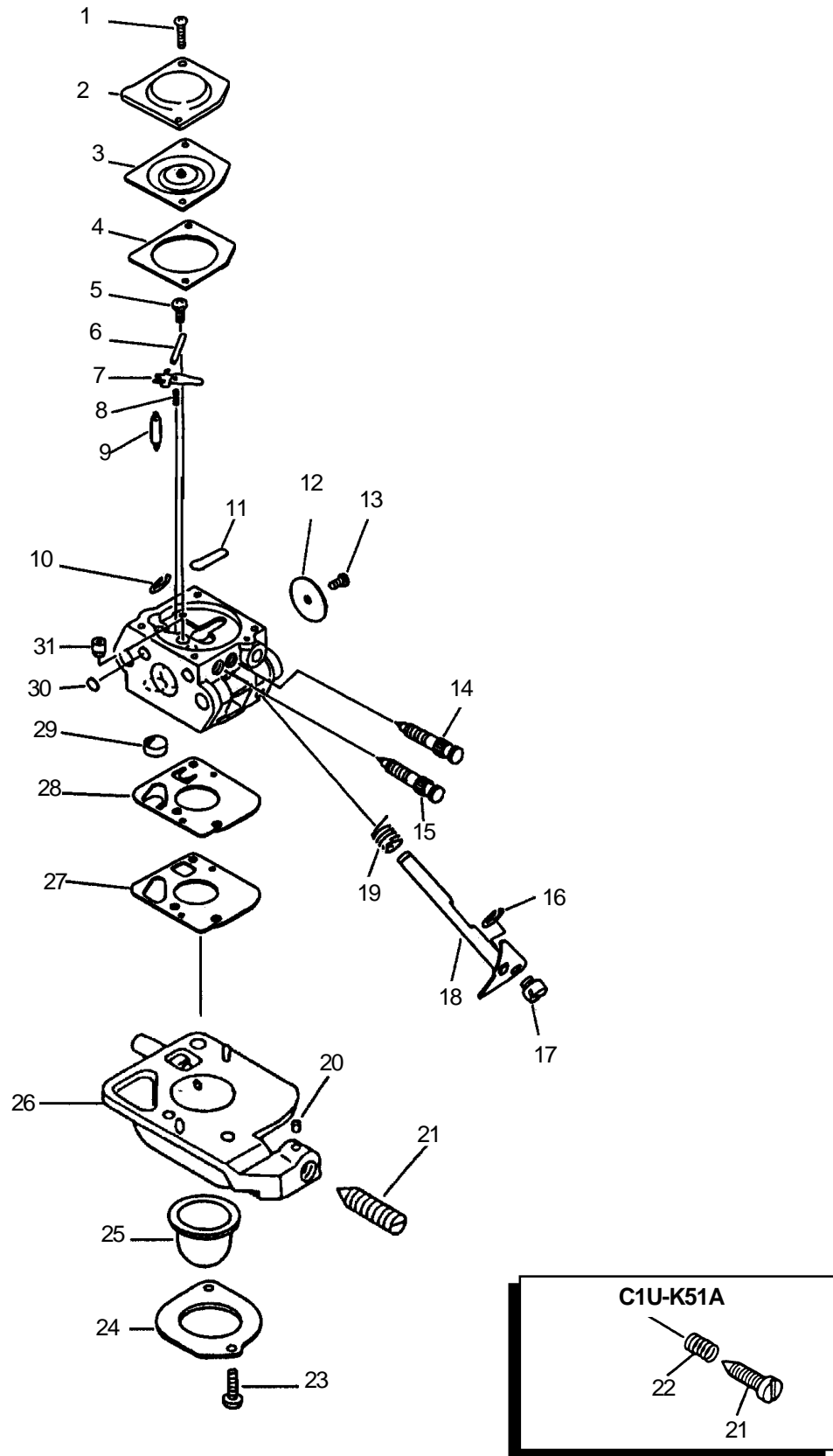


KEY	PART NUMBER	QTY	DESCRIPTION	REMARKS
*	12520007761	1	CARBURETOR C1U-K35	INCLUDES THE FOLLOWING
1	12534452130	2	SCREW	
2	12534252130	1	COVER, DIAPHRAGM	
3	A B	1	DIAPHRAGM	
4	A B	1	GASKET, DIAPHRAGM	
5	A	1	SCREW, METERING LEVER PIN	
6	A	1	PIN, METERING LEVER	
7	A	1	LEVER, METERING	
8	A	1	SPRING, METERING	
9	A	1	VALVE, NEEDLE	
10	12532715130	1	CLIP, THROTTLE SHAFT	
11	A	1	PLUG, WELCH	
12	12531642030	1	VALVE, THROTTLE	
13	12531413930	1	SCREW, THROTTLE VALVE	
14	12531942030	2	SPRING, MIXTURE NEEDLE	
15	12531851330	1	NEEDLE, LOW SPEED	
16	12535307760	1	WASHER, LIMITER NEEDLE	
17	12532007760	1	NEEDLE, HIGH SPEED	
18	12532908960	1	CAP, LIMITER	
19	12532713930	1	CLIP	
20	12537242030	1	SWIVEL	
21	12531742030	1	SHAFT, THROTTLE	
22	12531342030	1	SPRING, THROTTLE RETURN	
23	12537813930	1	PIECE, FRICTION	
24	12533413930	1	SCREW, IDLE ADJUSTER	
25	12531011610	2	SCREW	
26	12536311610	1	RING	
27	12538146730	1	PUMP, PRIMER	
28	12532411610	1	COVER, PUMP	
29	A B	1	GASKET, FUEL PUMP	
30	A B	1	DIAPHRAGM, FUEL PUMP	
31	A	1	STRAINER	
32	12537607760	1	NOZZLE, CHECK VALVE	
A	12530051330	1	REBUILD KIT	
B	12530351030	1	GASKET/DIAPHRAGM KIT	

\* The HC-2000 Models in this serial number range are limited in no load RPM by limiter cap 12532908960, preventing engine failure due to lean mis-adjustment. When replacing the carburetor with separate limiter cap or replacing the limiter cap proceed as follows:

1. Set HI needle 1 turn open. Set LO needle 1-1/4 turns open.
2. Start and run unit 2-3 minutes until warm.
3. Set Idle speed at 3000 RPM using a tachometer.
4. Adjust LO speed needle for good acceleration.
5. Set HI speed needle a maximum of 9500 RPM.
6. Press limiter cap onto HI needle with the stopper flange against the LO adjustment needle preventing further clockwise or lean adjustment.

**REMOVAL, TAMPERING OR MIS-INSTALLATION OF THE LIMITER CAP WILL VOID WARRANTY IN THE EVENT OF ENGINE FAILURE DUE TO LEAN MIS-ADJUSTMENT.**





KEY	PART NUMBER	QTY	DESCRIPTION	REMARKS
	12520005961	1	CARBURETOR C1U-K51 S/N 037624 & UP	INCLUDES THE FOLLOWING ITEMS
1	12534452130	2	SCREW	
2	12534213210	1	COVER, METERING CHAMBER	
3	A B	1	DIAPHRAGM, METERING	
4	A B	1	GASKET, DIAPHRAGM METERING	
5	12533942030	1	SCREW, METERING PIN	
6	A	1	PIN, METERING LEVER	
7	A	1	LEVER, METERING	
8	A	1	SPRING, METERING LEVER	
9	A	1	VALVE, NEEDLE	
10	12532715130	1	CLIP, THROTTLE SHAFT	
11	A	1	PLUG, WELCH	
12	12531649030	1	VALVE, THROTTLE	
13	12531413930	1	SCREW, THROTTLE VALVE	
14	12531813120	1	NEEDLE, LOW SPEED	
15	12532013310	1	NEEDLE, HIGH SPEED	
16	12532713930	1	CLIP	
17	12537242030	1	SWIVEL	
18	12531713310	1	SHAFT, THROTTLE	
19	12531342030	1	SPRING, THROTTLE RETURN	
20	12537813930	1	PIECE, FRICTION	C1U-K51
21	12533406960	1	SCREW, IDLE ADJUST	C1U-K51A
21	12533413930	1	SCREW, IDLE ADJUST	C1U-K51
22	12533306960	1	SPRING, IDLE ADJUST	C1U-K51A
23	12531011610	2	SCREW	
24	12536311610	1	RING	
25	12538108660	1	PUMP, PRIMING	
26	12532411610	1	BASE, PRIMER	C1U-K51
26	12538313310	1	BASE, PRIMER	C1U-K51A
27	A B	1	GASKET, PUMP	
28	A B	1	DIAPHRAGM, FUEL PUMP	
29	A	1	STRAINER	
30	12534513310	1	PLUG, WELCH	
31	12537613120	1	NOZZLE, CHECK VALVE	
A	12530013310	1	REPAIR KIT	
B	12530313310	1	GASKET/DIAPHRAGM KIT	