



OPTIONAL ATTACHMENTS & ACCESSORIES**Accessories**

35130454230	U-Handle Kit
99944200200	SRM Shoulder Harness Kit
99944200411	20mm Blade Conversion Kit
99944200415	Universal Blade Conversion Kit
99944200455	Barrier Bar
99944200521	U-Handle_Blade Conversion Combo Kit
SRAC-200	Tiller/Cultivator Attachment

Cutting Heads

21560030	ECHOMATIC Pro Head
21560031	SRM ECHOMATIC Pro Head
21560050	Semi-Auto Head Assembly
21560056	2-Line Rapid Loader Head -- Echo
21560060	SRM Manual Dual Line Head
99944200900	U-Turn Head

PARTS CATALOG
SRM-211 Trimmer**21.2cc**

SERIAL NUMBERS

S/N: 06001001 - 06999999

ECHO, INCORPORATED

400 Oakwood Road Lake Zurich, Illinois 60047 USA

WWW.ECHO-USA.COM



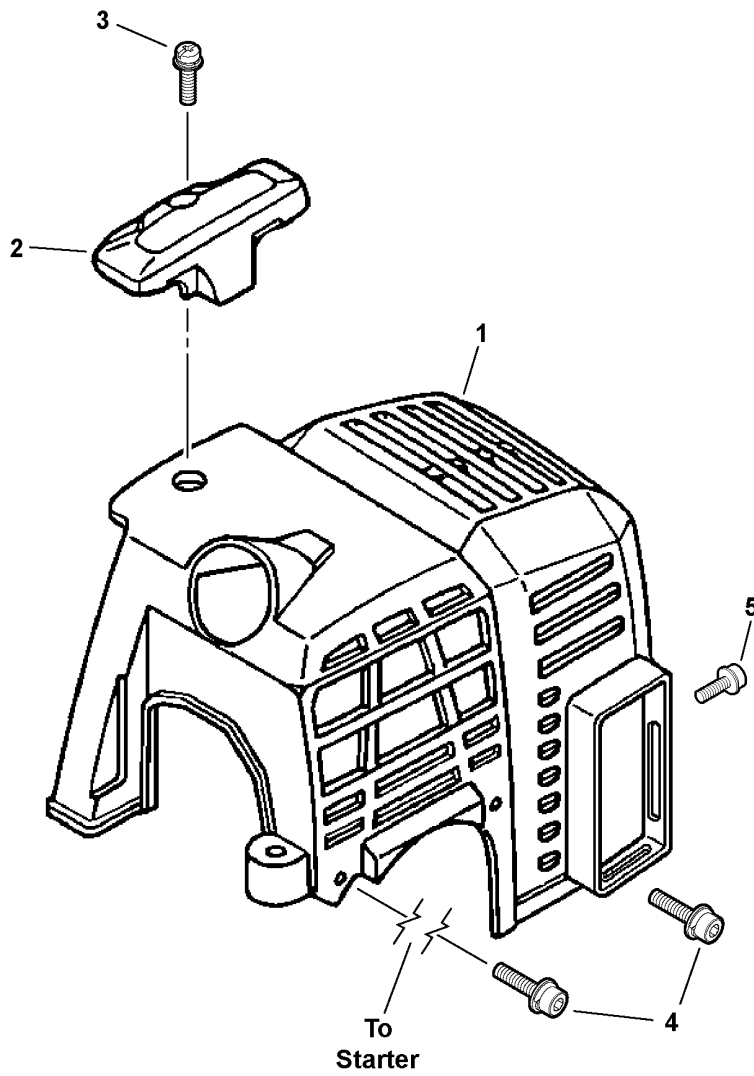
Table of Contents

Click Any Diagram Description Below To View That Diagram.

SRM-211 S/N: 06001001 - 06999999

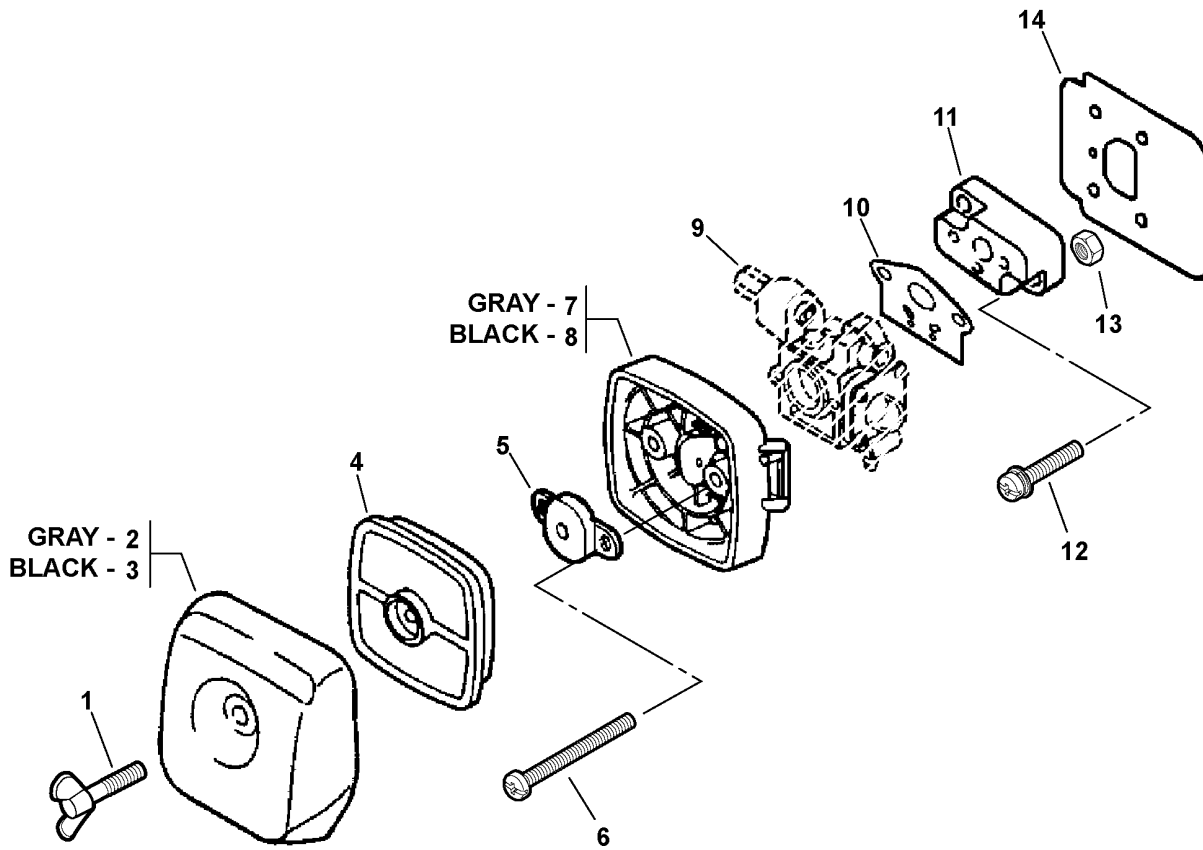
Engine Cover.....	4
Intake.....	6
Carburetor -- RB-K66B S/N: 06001001 - 06012395.....	8
Carburetor -- RB-K70 S/N: 06012396 - 06016955.....	10
Carburetor -- RB-K70A S/N: 06016956 - 06999999.....	12
Exhaust.....	14
Starter -- Standard S/N: 06001001 - 06017100.....	16
Starter -- i-30 S/N: 06017101 - 06999999.....	18
Fuel System.....	20
Fan Case, Clutch.....	22
Ignition.....	24
Engine, Short Block -- SB1065.....	26
Plastic Shield.....	28
Gear Case.....	30
Control Handle, Throttle Cable, Ignition Switch.....	32
Main Pipe Assembly, Flexible Driveshaft.....	34
Front Handle.....	36
Labels S/N: 06001001 - 06017100.....	38
Labels S/N: 06017101 - 06999999.....	40
Gasket Kit.....	42
RePower Tune-Up Kit.....	44
Tools.....	46
Part Number Index.....	48
Part Description Index.....	49

This Page Intentionally Left Blank



001 0027 00B

ITEM	PART NUMBER	QTY	DESCRIPTION	REMARKS
1	A160000181	1	COVER, ENGINE	
2	A162000050	1	GUARD, TOP	
3	90023805016	1	SCREW 5X16	
5	9110704008	1	SCREW 4X8	
4	90016304016	2	SCREW 4X16	

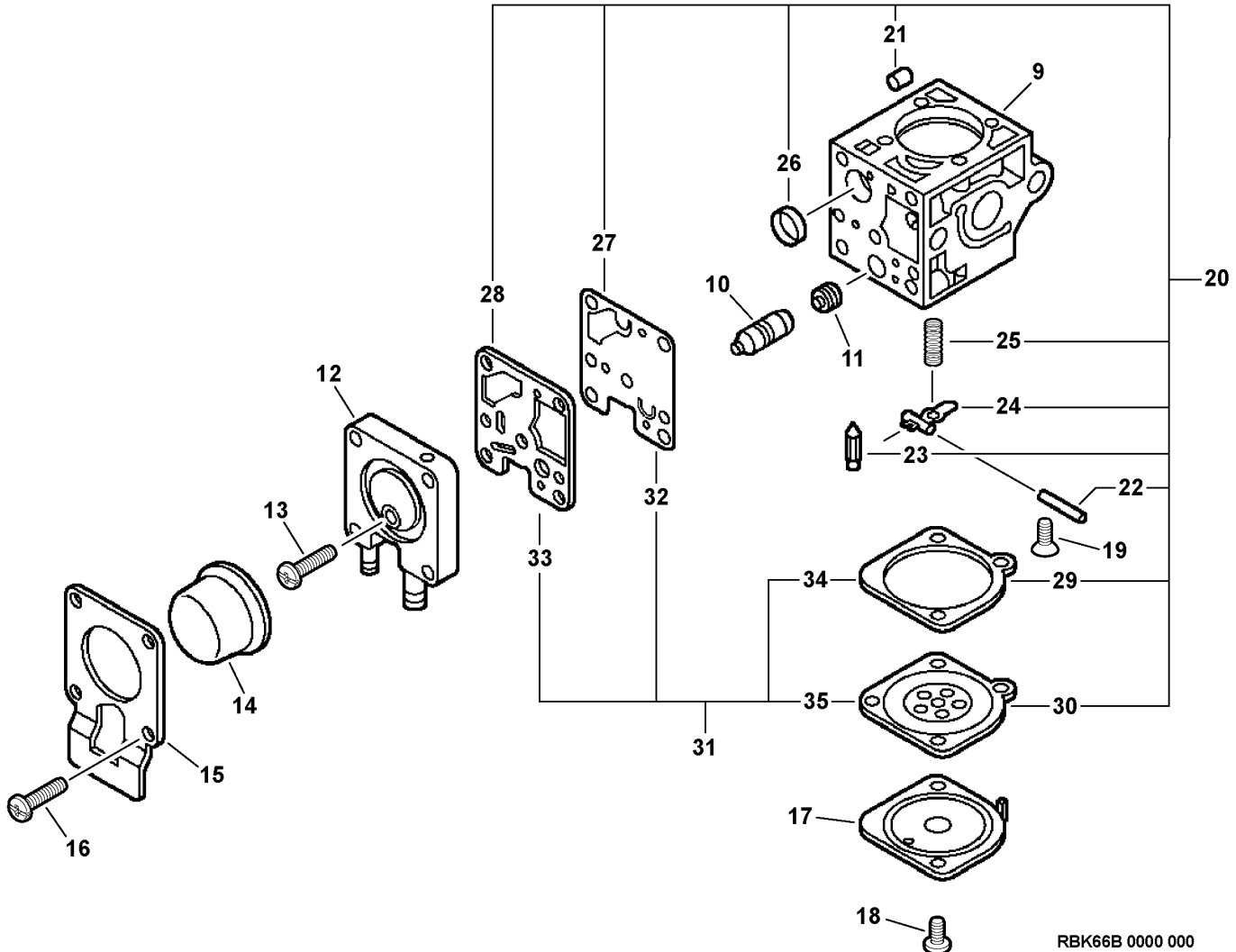
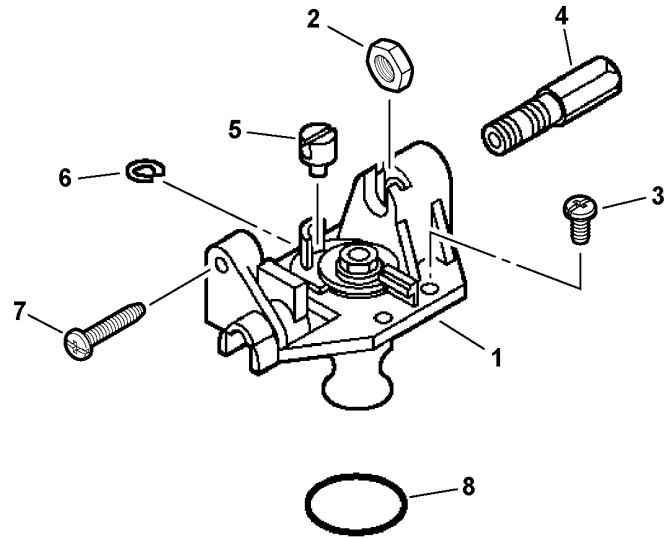


005 0007 00B

ITEM	PART NUMBER	QTY	DESCRIPTION	REMARKS
1	21041752730	1	WING BOLT	
2	13031306563	1	LID, AIR CLEANER - GRAY	
3	13031305863	1	LID, AIR CLEANER - BLACK	
4	13031054130	1	FILTER, AIR ¹	
5	12901152730	1	PLATE, PREVENT	
6	90022005065	2	SCREW 5X65	
7	P021000991	1	CASE, AIR CLEANER - GRAY	
8	P021004480	1	CASE, AIR CLEANER - BLACK	
9	-----	1	CARBURETOR	See Carburetor Diagram For Additional Information
10	13001013410	1	GASKET, INTAKE ²	
11	13001744330	1	INSULATOR, INTAKE	
12	90023805020	2	SCREW 5X20	
13	90050000005	2	NUT 5	
14	13001042032	1	SHIELD, INTAKE ²	

Footnotes

- 1:** Also Included In REPOWER TUNE-UP KIT
- 2:** Also Included In GASKET KIT

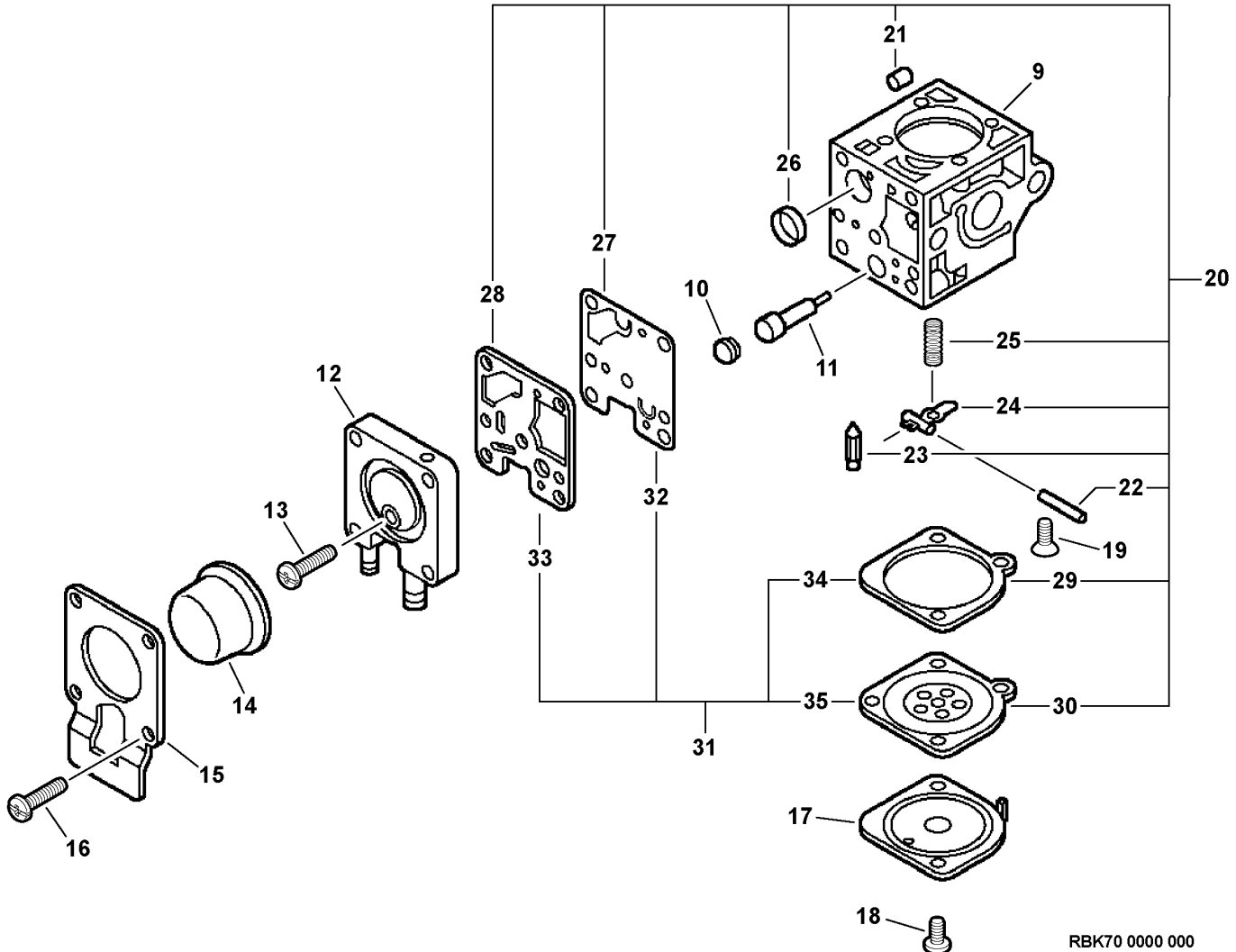
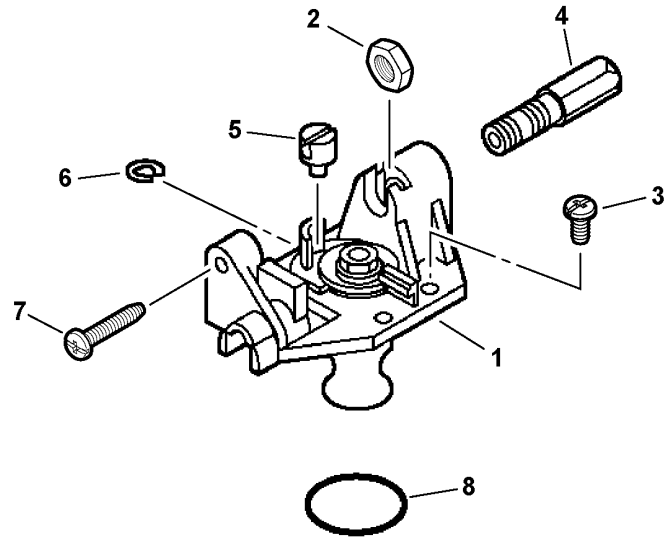


RBK66B 0000 000

ITEM	PART NUMBER	QTY	DESCRIPTION	REMARKS
	A021000382	1	CARBURETOR -- RB-K66B	
1	P005000690	1	ROTOR COVER ASY	
2	P005000120	1	NUT, CABLE	
3	12534413931	3	SCREW, ROTOR COVER ASY	
4	P005000700	1	SCREW, CABLE ADJUST	
5	P005000180	1	SWIVEL	
6	P005000190	1	E-RING	
7	P005000100	1	SCREW, THROTTLE ADJUST	
8	P005000280	1	O-RING	
9	-----	1	BODY, CARBURETOR ¹	
10	P005000370	1	PLUG KIT	
11	P005000570	1	JET	
12	P005000930	1	PURGE BASE ASY	
13	P005000270	1	SCREW, PURGE BASE ASY	
14	12538108660	1	BULB, PURGE	
15	P005000250	1	RETAINER, PURGE BULB	
16	12531061830	4	SCREW, PURGE BULB RETAINER	
17	12534252130	1	COVER, DIAPHRAGM	
18	12534452130	2	SCREW, DIAPHRAGM COVER	
19	12533942030	1	SCREW, METERING LEVER PIN	
20	P005000950	1	REPAIR KIT	INCLUDES ITEMS 21-30
21	P005001000	1	ROLLER, GUIDE	
22	-----	1	PIN, METERING LEVER	
23	-----	1	VALVE, INLET NEEDLE	
24	-----	1	LEVER, METERING	
25	-----	1	SPRING, METERING LEVER	
26	-----	1	STRAINER	
27	-----	1	DIAPHRAGM, PUMP	
28	-----	1	GASKET, PUMP	
29	-----	1	GASKET, METERING	
30	-----	1	DIAPHRAGM, METERING	
31	P005000550	1	DIAPHRAGM/GASKET KIT	INCLUDES ITEMS 32-35
32	-----	1	DIAPHRAGM, PUMP	
33	-----	1	GASKET, PUMP	
34	-----	1	GASKET, METERING	
35	-----	1	DIAPHRAGM, METERING	

Footnotes

1: NOT AVAILABLE SEPARATELY

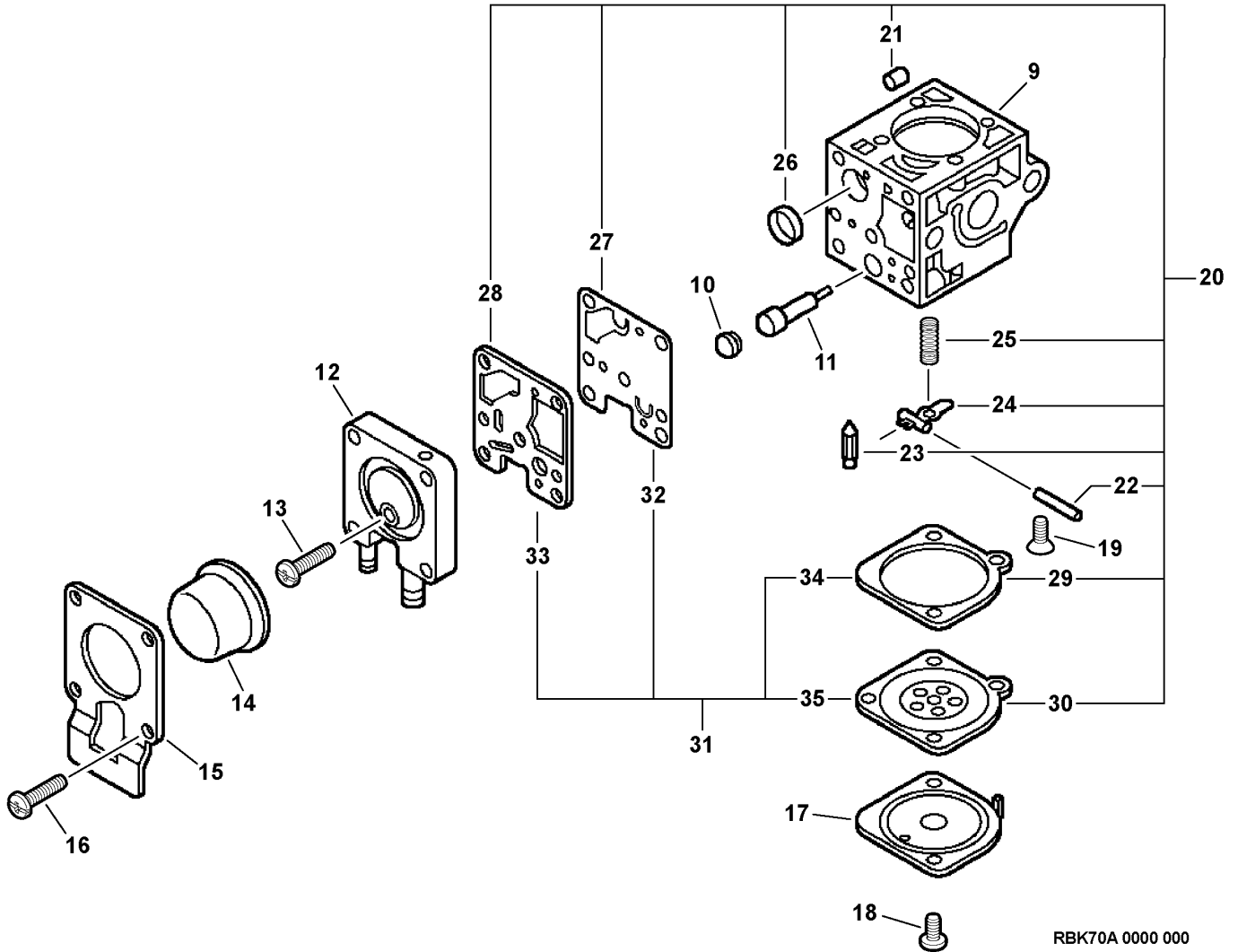
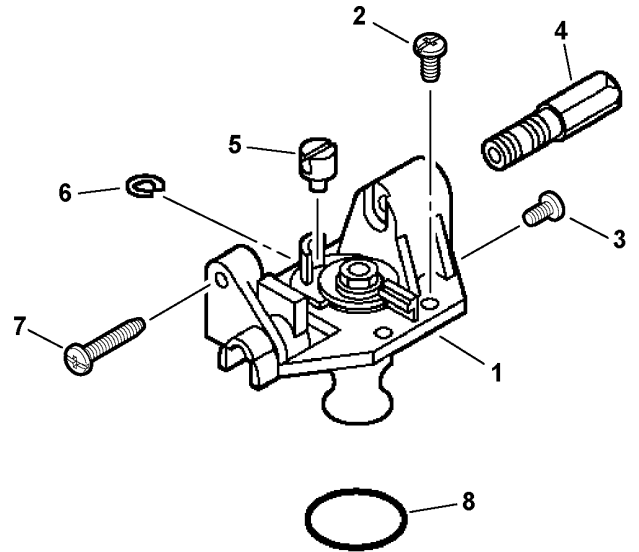


RBK70 0000 000

ITEM	PART NUMBER	QTY	DESCRIPTION	REMARKS
	A021000720	1	CARBURETOR -- RB-K70	
1	P005001230	1	ROTOR COVER ASY	
2	P005000120	1	NUT, CABLE	
3	12534413931	3	SCREW, ROTOR COVER ASY	
4	P005000700	1	SCREW, CABLE ADJUST	
5	P005001240	1	SWIVEL	
6	P005000190	1	E-RING	
7	P005000100	1	SCREW, THROTTLE ADJUST	
8	P005000280	1	O-RING	
9	-----	1	BODY, CARBURETOR ¹	
10	P005001270	1	PLUG	
11	P005001260	1	NEEDLE - HIGH SPEED	
12	P005000930	1	PURGE BASE ASY	
13	P005000270	1	SCREW, PURGE BASE ASY	
14	12538108660	1	BULB, PURGE	
15	P005000250	1	RETAINER, PURGE BULB	
16	12531061830	4	SCREW, PURGE BULB RETAINER	
17	12534252130	1	COVER, DIAPHRAGM	
18	12534452130	2	SCREW, DIAPHRAGM COVER	
19	12533942030	1	SCREW, METERING LEVER PIN	
20	P005000950	1	REPAIR KIT	INCLUDES ITEMS 21-30
21	P005001000	1	ROLLER, GUIDE	
22	-----	1	PIN, METERING LEVER	
23	-----	1	VALVE, INLET NEEDLE	
24	-----	1	LEVER, METERING	
25	-----	1	SPRING	
26	-----	1	STRAINER	
27	-----	1	DIAPHRAGM, PUMP	
28	-----	1	GASKET, PUMP	
29	-----	1	GASKET, METERING	
30	-----	1	DIAPHRAGM, METERING	
31	P005000550	1	DIAPHRAGM/GASKET KIT	INCLUDES ITEMS 32-35
32	-----	1	DIAPHRAGM, PUMP	
33	-----	1	GASKET, PUMP	
34	-----	1	GASKET, METERING	
35	-----	1	DIAPHRAGM, METERING	

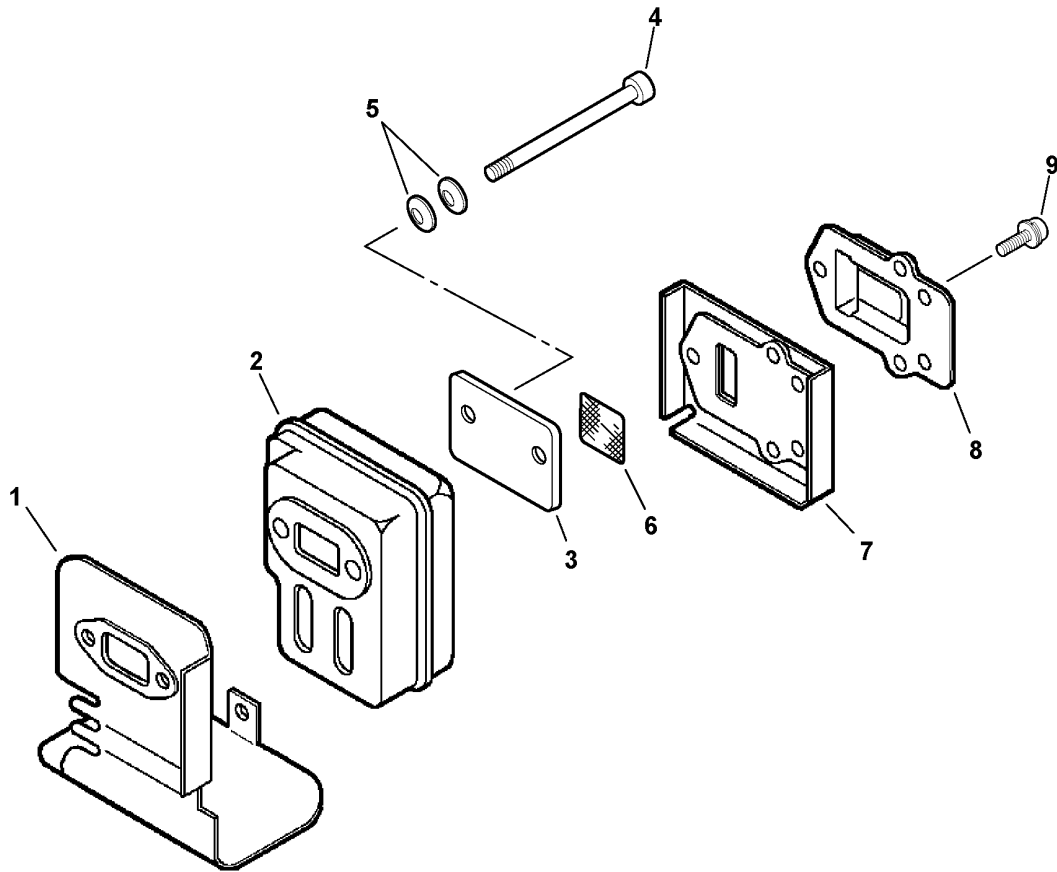
Footnotes

1: NOT AVAILABLE SEPARATELY



RBK70A 0000 000

ITEM	PART NUMBER	QTY	DESCRIPTION	REMARKS
	A021000721	1	CARBURETOR -- RB-K70A	
1	P005001620	1	ROTOR COVER ASY	
2	12534413931	3	SCREW, ROTOR COVER ASY	
3	12534452130	1	SCREW, ROTOR COVER	
4	P005001330	1	SCREW, CABLE ADJUST	
5	P005001240	1	SWIVEL	
6	P005000190	1	E-RING	
7	P005000100	1	SCREW, THROTTLE ADJUST	
8	P005000280	1	O-RING	
9	-----	1	BODY, CARBURETOR	NOT AVAILABLE SEPARATELY
10	P005001270	1	PLUG	
11	P005001260	1	NEEDLE - HIGH SPEED	
12	P005000930	1	PURGE BASE ASY	
13	P005000270	1	SCREW, PURGE BASE ASY	
14	12538108660	1	BULB, PURGE	
15	P005000250	1	RETAINER, PURGE BULB	
16	12531061830	4	SCREW, PURGE BULB RETAINER	
17	12534252130	1	COVER, DIAPHRAGM	
18	12534452130	3	SCREW, DIAPHRAGM COVER	
19	12533942030	1	SCREW, METERING LEVER PIN	
20	P005000950	1	REPAIR KIT	INCLUDES ITEMS 21-30
21	P005001000	1	ROLLER, GUIDE	
22	-----	1	PIN, METERING LEVER	
23	-----	1	VALVE, INLET NEEDLE	
24	-----	1	LEVER, METERING	
25	-----	1	SPRING, METERING LEVER	
26	-----	1	STRAINER	
27	-----	1	DIAPHRAGM, PUMP	
28	-----	1	GASKET, PUMP	
29	-----	1	GASKET, METERING	
30	-----	1	DIAPHRAGM, METERING	
31	P005000550	1	DIAPHRAGM/GASKET KIT	INCLUDES ITEMS 32-35
32	-----	1	DIAPHRAGM, PUMP	
33	-----	1	GASKET, PUMP	
34	-----	1	GASKET, METERING	
35	-----	1	DIAPHRAGM, METERING	

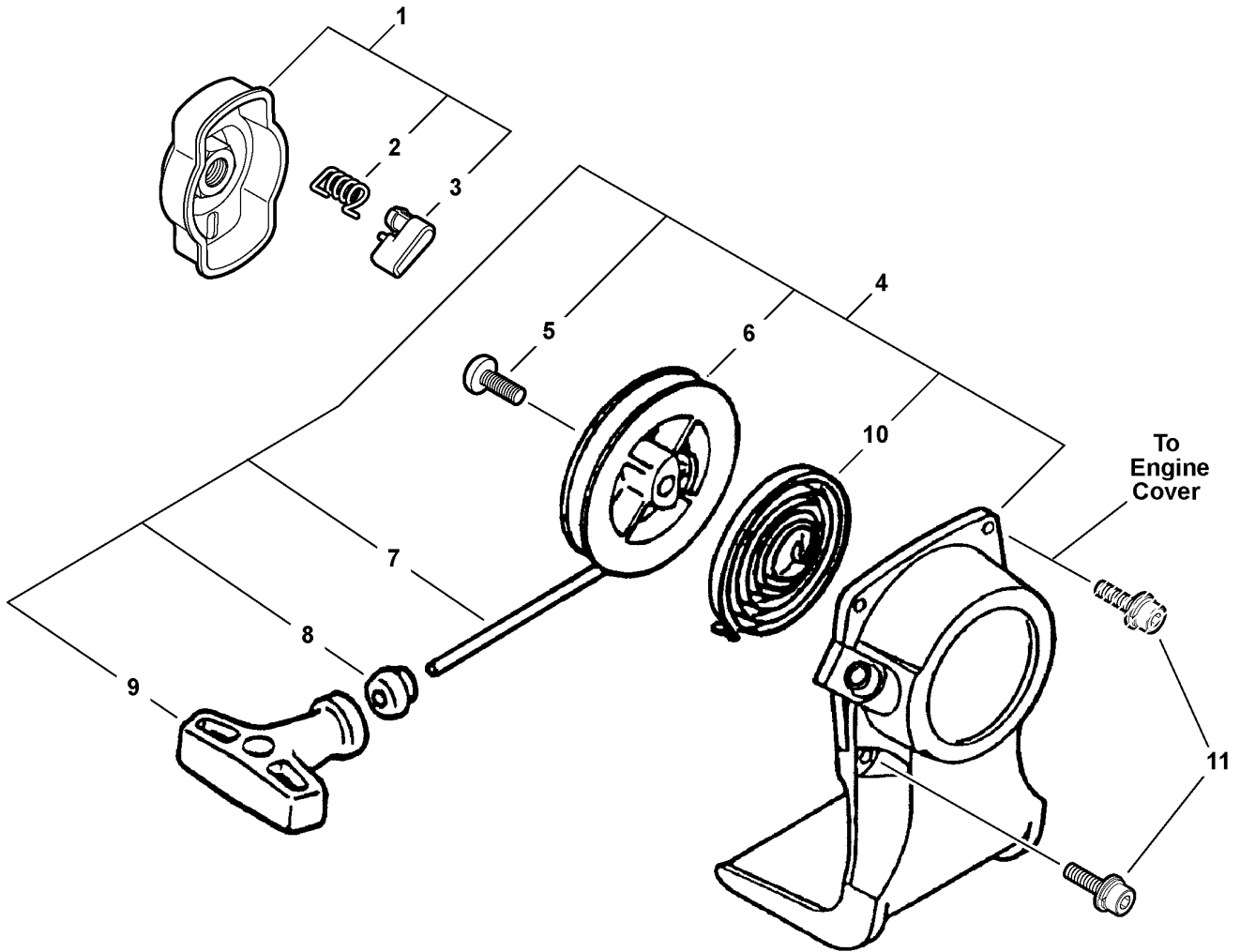


006 0009 00B

ITEM	PART NUMBER	QTY	DESCRIPTION	REMARKS
1	V104000440	1	SHIELD, EXHAUST ¹	
2	A300000141	1	MUFFLER	
3	V150000371	1	PLATE, EYE	
4	90010505055	2	SCREW 5X55	
5	V347000000	4	CONICAL WASHER	
6	14586240630	1	SCREEN, MUFFLER	
7	V104000360	1	GASKET, EXHAUST ¹	
8	A313000130	1	GUIDE, EXHAUST	
9	9136704010	5	SCREW 4X10	

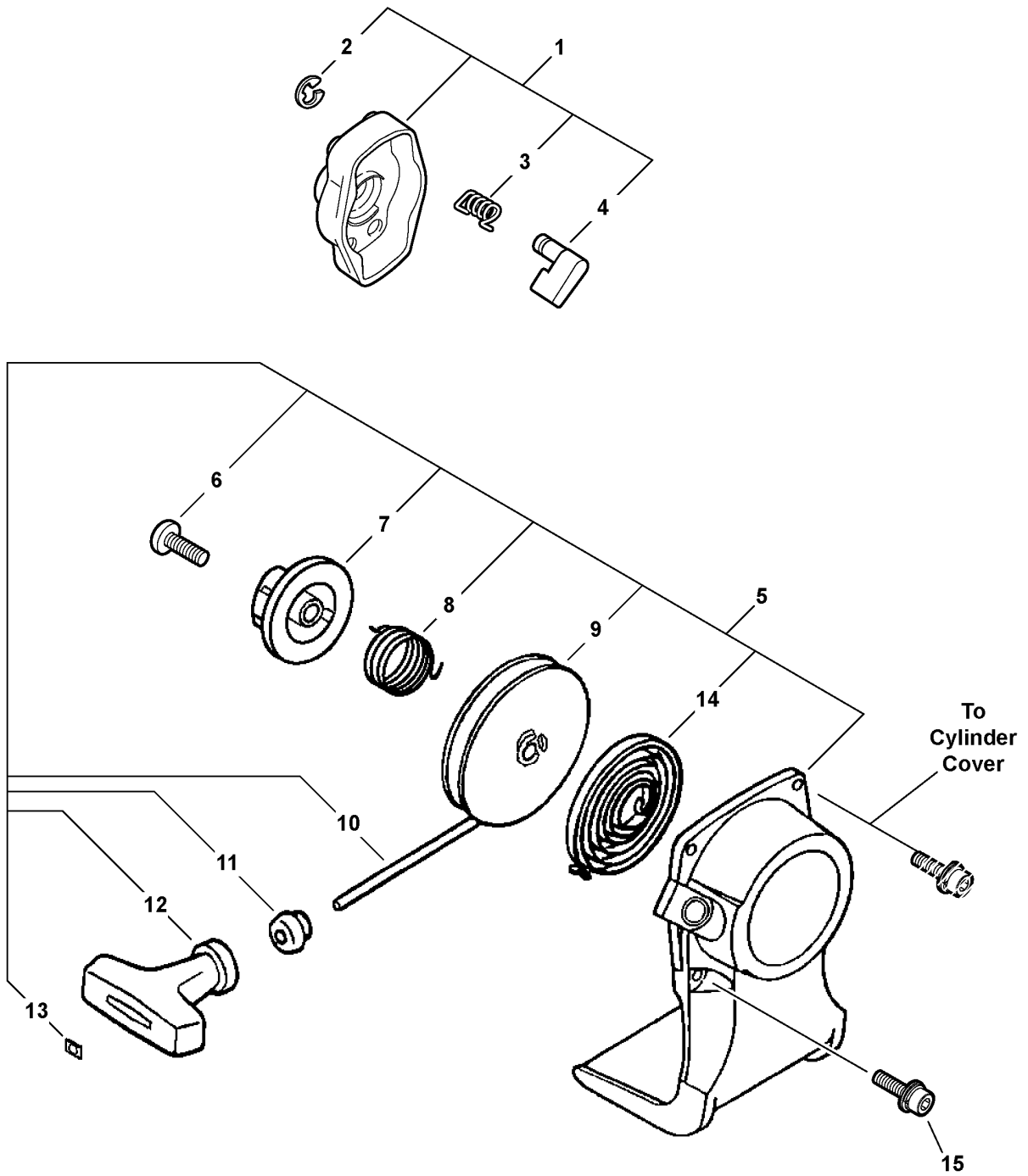
Footnotes

1: Also Included In GASKET KIT



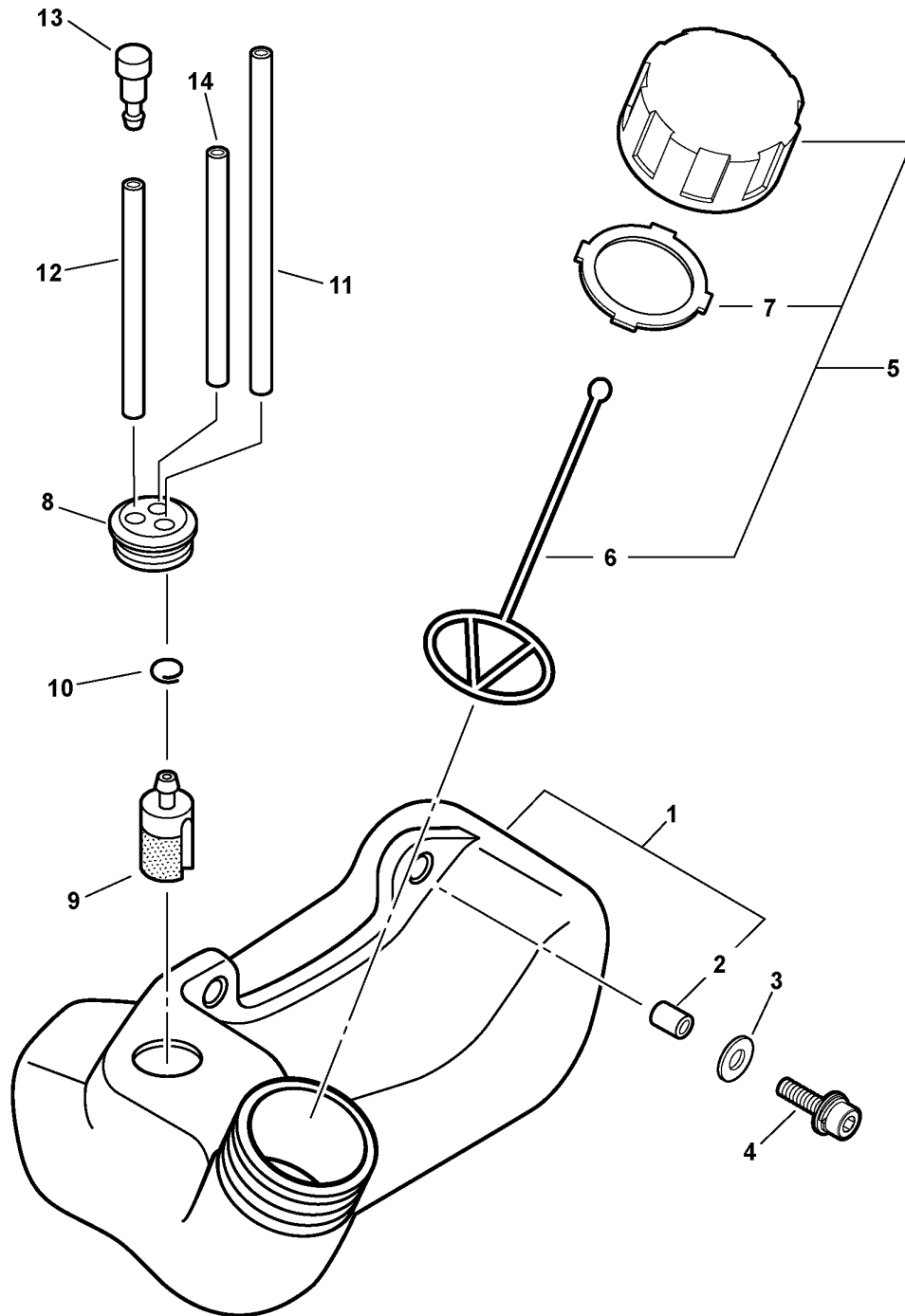
004 0022 000

ITEM	PART NUMBER	QTY	DESCRIPTION	REMARKS
1	17720244331	1	STARTER PAWL ASY	INCLUDES ITEMS 2-3
2	17723412220	1	SPRING, RETURN	
3	17721844330	1	PAWL, STARTER	
4	17720054130	1	STARTER ASY	INCLUDES ITEMS 5-10
5	17723644330	1	SCREW	
6	17721544430	1	DRUM, STARTER	
7	17722610120	1	ROPE, STARTER - 3X1000mm	REPOWER BULK OPTION: 99944440000
8	17722742030	1	GUIDE, ROPE	
9	17722806530	1	GRIP, STARTER	
10	17722042030	1	SPRING, REWIND	
11	90016304016	4	SCREW 4X16	



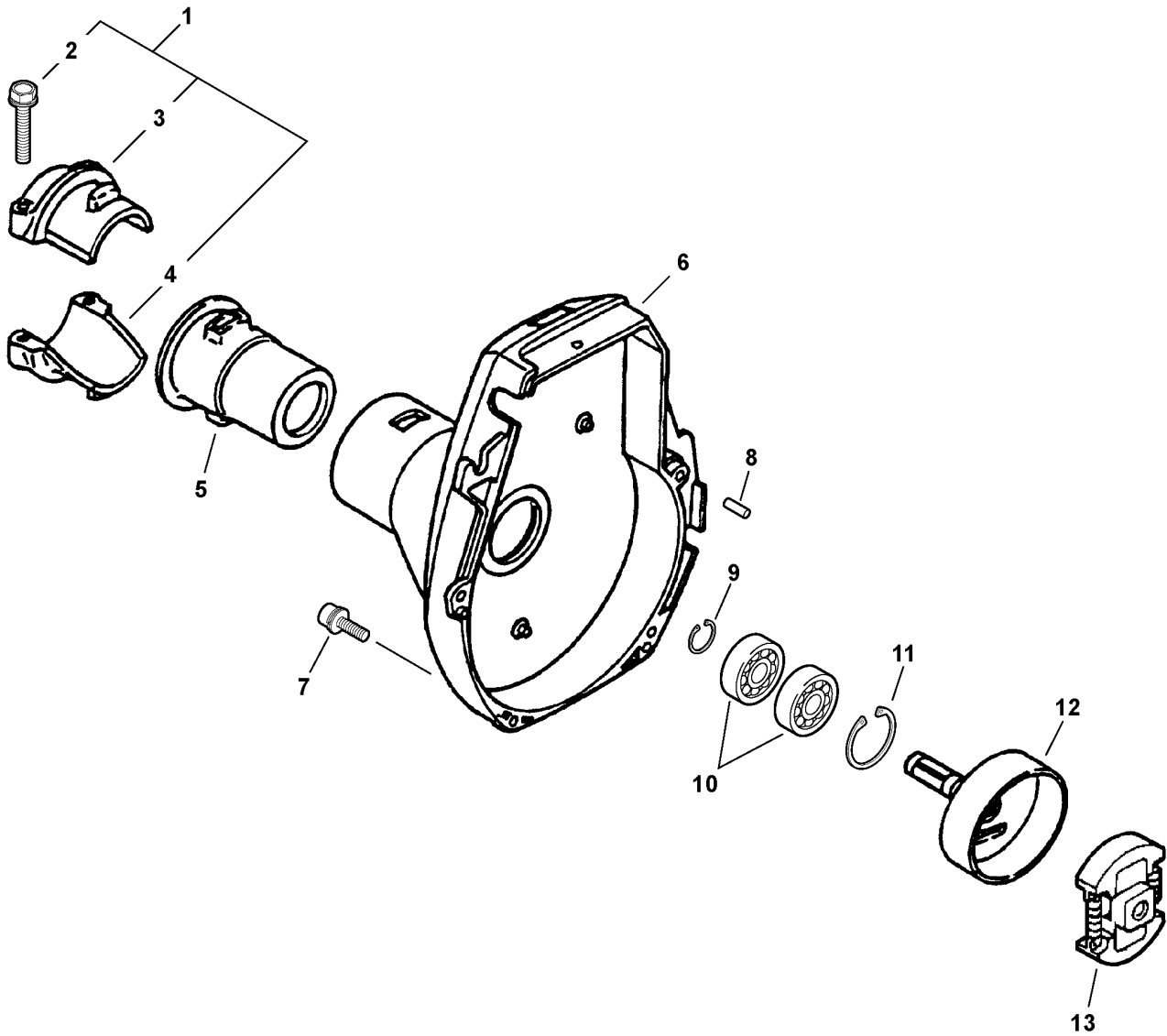
004 0009 000

ITEM	PART NUMBER	QTY	DESCRIPTION	REMARKS
1	A052000180	1	STARTER PAWL ASY	INCLUDES ITEMS 2-4
2	P022002100	2	E-RING	
3	P022006510	2	SPRING, PAWL RETURN	
4	P022006850	2	PAWL, STARTER	
5	A051000680	1	STARTER ASY	INCLUDES ITEMS 6-14
6	17723661830	1	SCREW	
7	P022008280	1	PLATE, CAM	
8	P022008270	1	SPRING, DAMPER	
9	P022006830	1	DRUM	
10	P022008260	1	ROPE, STARTER - 3X700mm	REPOWER BULK OPTION: 99944440000
11	17722742030	1	GUIDE, ROPE	
12	17722827030	1	GRIP, STARTER	
13	17724611120	1	CLIP, STARTER ROPE	
14	17722042030	1	SPRING, REWIND	
15	90016304016	4	SCREW 4X16	



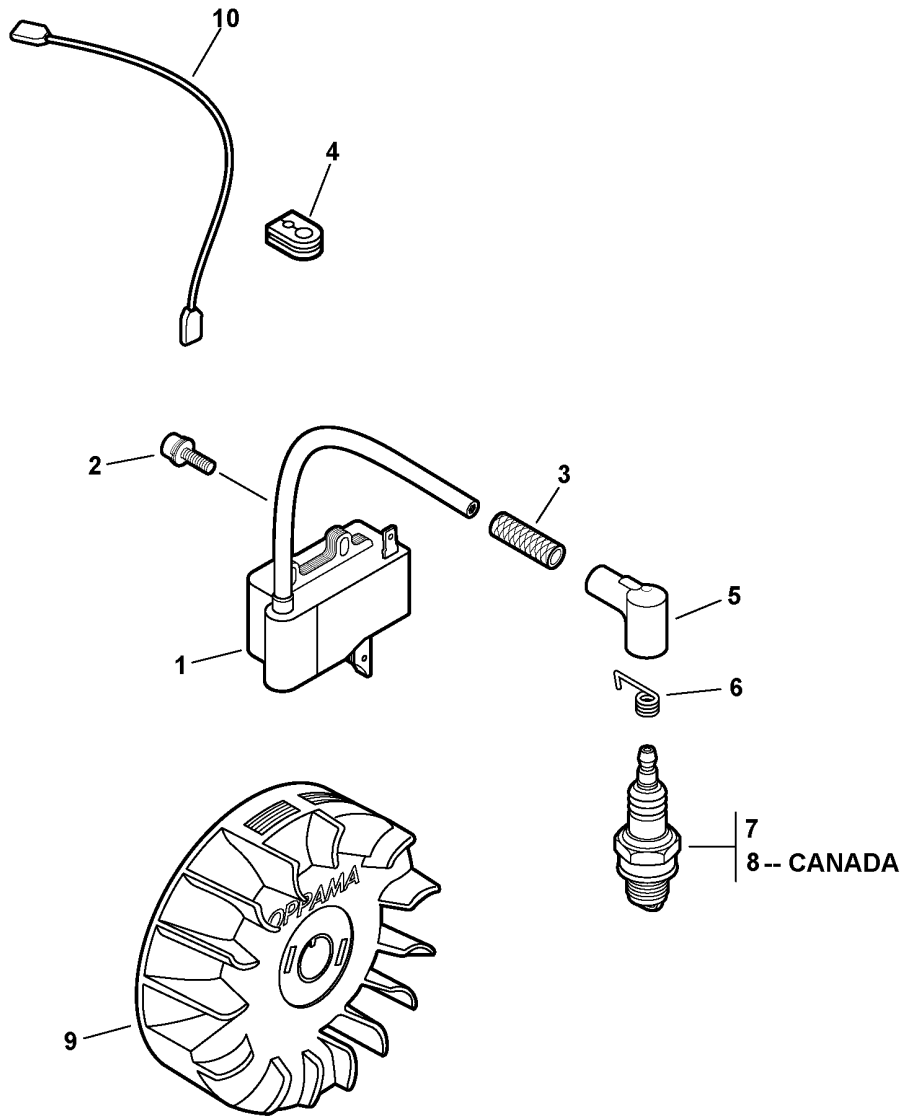
002 0006 000

ITEM	PART NUMBER	QTY	DESCRIPTION	REMARKS
1	A350000220	1	FUEL TANK ASY	INCLUDES ITEM 2
2	13104528230	2	SPACER	
3	90060300005	2	WASHER 5	
4	90016205016	2	SCREW 5X16	
5	13100455530	1	CAP ASY	INCLUDES ITEMS 6-7
6	13105156030	1	CONNECTOR, CAP	
7	13101655830	1	GASKET, CAP	
8	V137000030	1	GROMMET	
9	13120507320	1	FILTER, FUEL	
10	13201309820	1	CLIP	
11	V471001190	1	PIPE, FUEL - 3X5X180mm	REPOWER BULK OPTION: 90014
12	V471001200	1	PIPE, VENT - 3X5X70mm	REPOWER BULK OPTION: 90014
13	A356000030	1	VENT ASY	
14	13201256030	1	PIPE, RETURN - 3X6X80mm	REPOWER BULK OPTION: 90017



003 0005 000

ITEM	PART NUMBER	QTY	DESCRIPTION	REMARKS
1	61090355230	1	HOLDER KIT	INCLUDES ITEMS 2-4
2	90014205025	2	BOLT 5X25	
3	61092227432	1	HOLDER	
4	61092355230	1	HOLDER	
5	61091055230	1	CUSHION	
6	10150352131	1	FAN COVER ASY	
7	90016304016	4	SCREW 4X16	
8	V622000020	2	DOWEL PIN	
9	90070100012	1	CIRCLIP 12	
10	90080796001	2	BEARING, BALL - 6001	
11	90070200028	1	CIRCLIP 28	
12	17500548931	1	DRUM, CLUTCH	
13	17500056830	1	CLUTCH ASY	

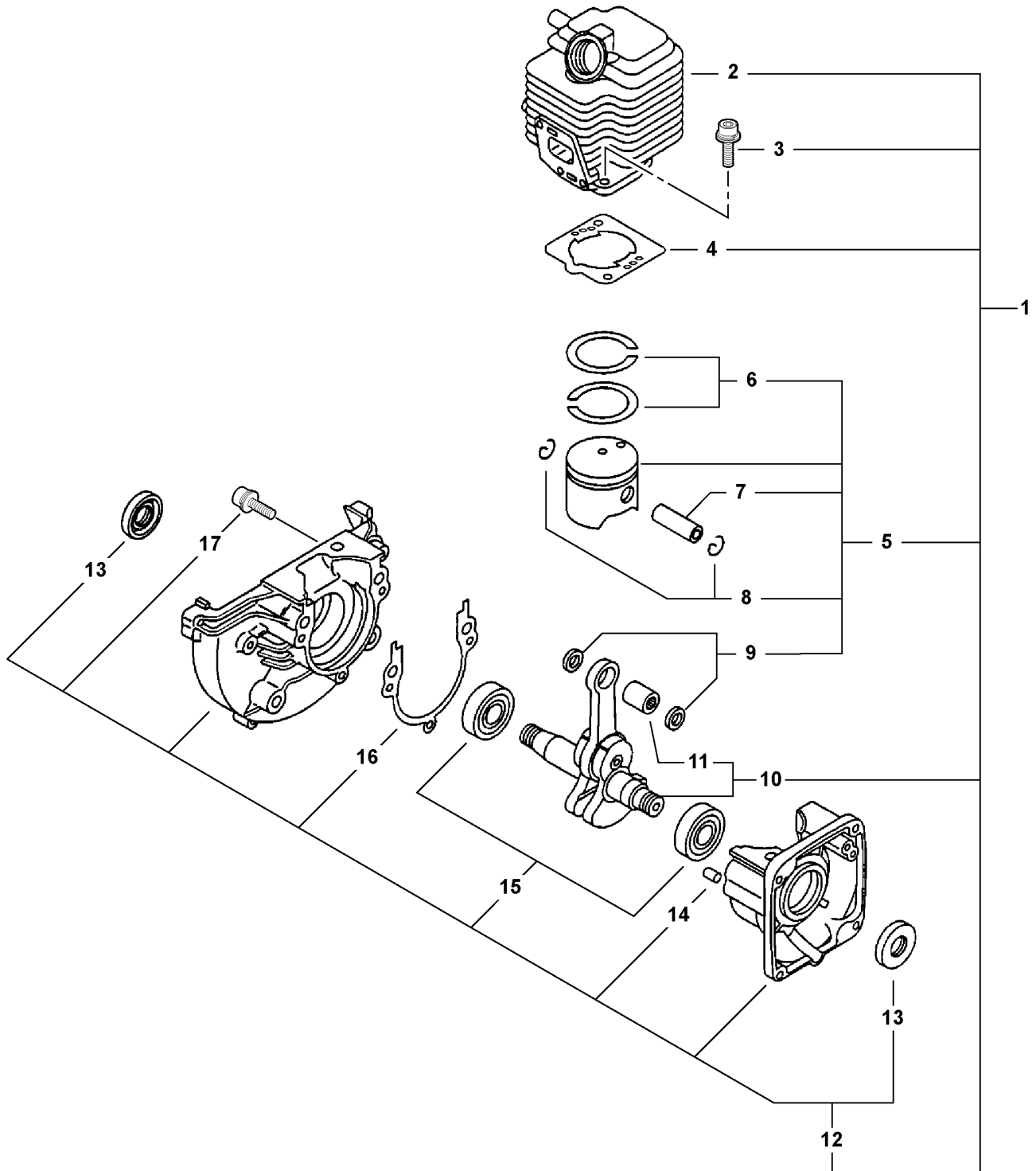


007 0043 000

ITEM	PART NUMBER	QTY	DESCRIPTION	REMARKS
1	A411000140	1	COIL, IGNITION	
2	90016204020	2	SCREW 4X20	
3	15611054930	1	TUBE, INSULATOR	
4	15611240630	1	BUSHING	
5	15901201620	1	CAP, SPARK PLUG	
6	15901103432	1	TERMINAL, SPARK PLUG CAP	
7	15901019830	1	SPARK PLUG -- BPM-8Y ¹	
8	A425000000	1	SPARK PLUG -- BPMR-8Y ¹	CANADA MODELS
9	A409000160	1	FLYWHEEL	
10	16201052830	1	LEAD, IGNITION	

Footnotes

1: Also Included In REPOWER TUNE-UP KIT

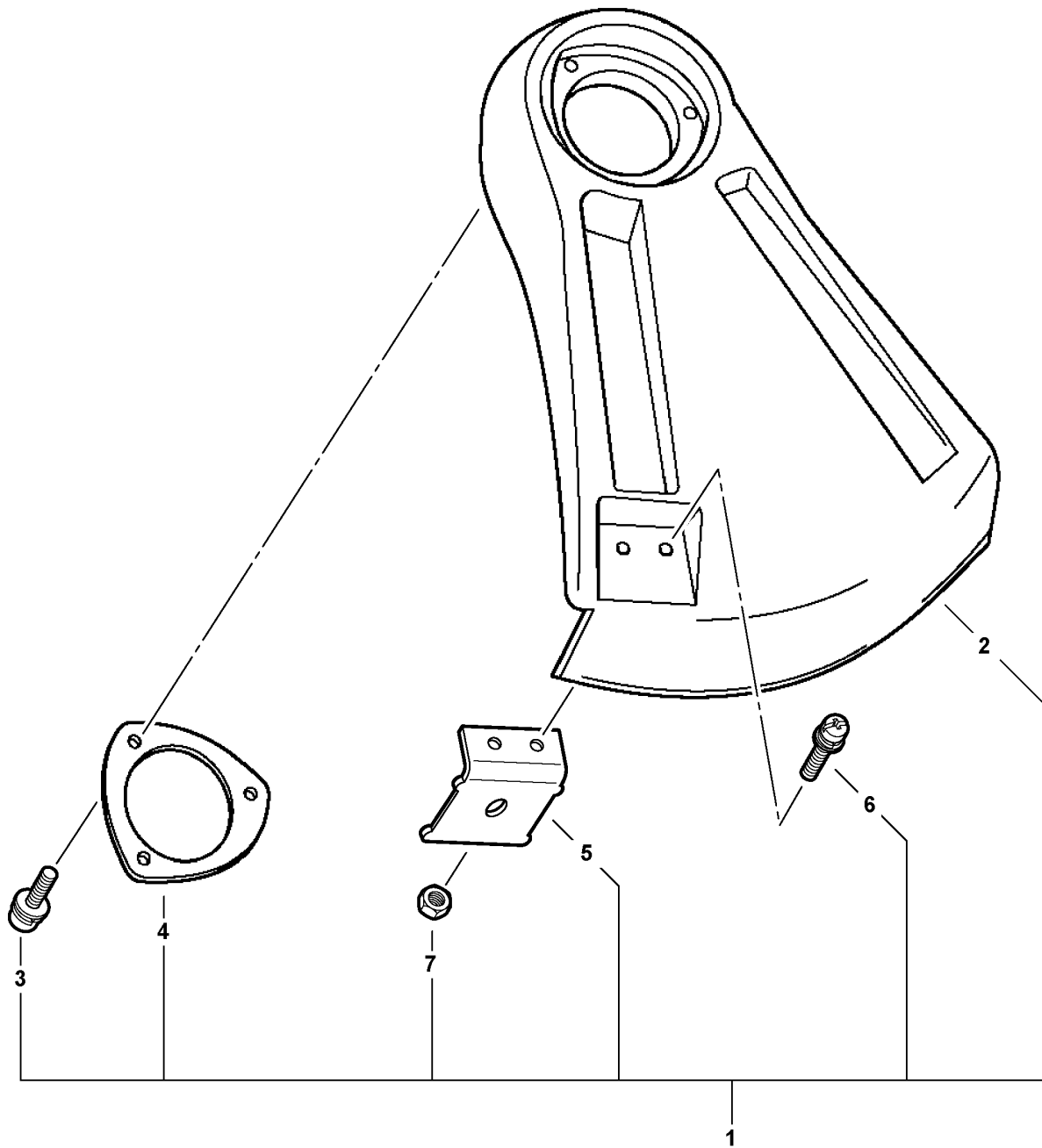


SB1065 0000 000

ITEM	PART NUMBER	QTY	DESCRIPTION	REMARKS
1	SB1065	1	SHORT BLOCK	INCLUDES ITEM 2-17
2	A130000430	1	CYLINDER	
3	90016205022	2	SCREW 5X22	
4	V100000080	1	GASKET, CYLINDER ¹	
5	P021001101	1	PISTON KIT	INCLUDES ITEMS 6-9
6	A101000000	2	RING, PISTON	
7	10001311520	1	PIN, PISTON	
8	10001504630	2	CIRCLIP, PISTON PIN	
9	10001411520	2	SPACER, PISTON PIN	
10	A011000101	1	CRANKSHAFT ASY	INCLUDES ITEM 11
11	V553000010	1	BEARING, NEEDLE	
12	10020452131	1	CRANKCASE KIT ¹	INCLUDES ITEMS 13-17
13	10021242031	2	OIL SEAL	
14	V622000020	2	DOWEL PIN	
15	9403536201	2	BEARING, BALL - 6201	
16	10024242030	1	GASKET, CRANKCASE	
17	90016205028	3	SCREW 5X28	

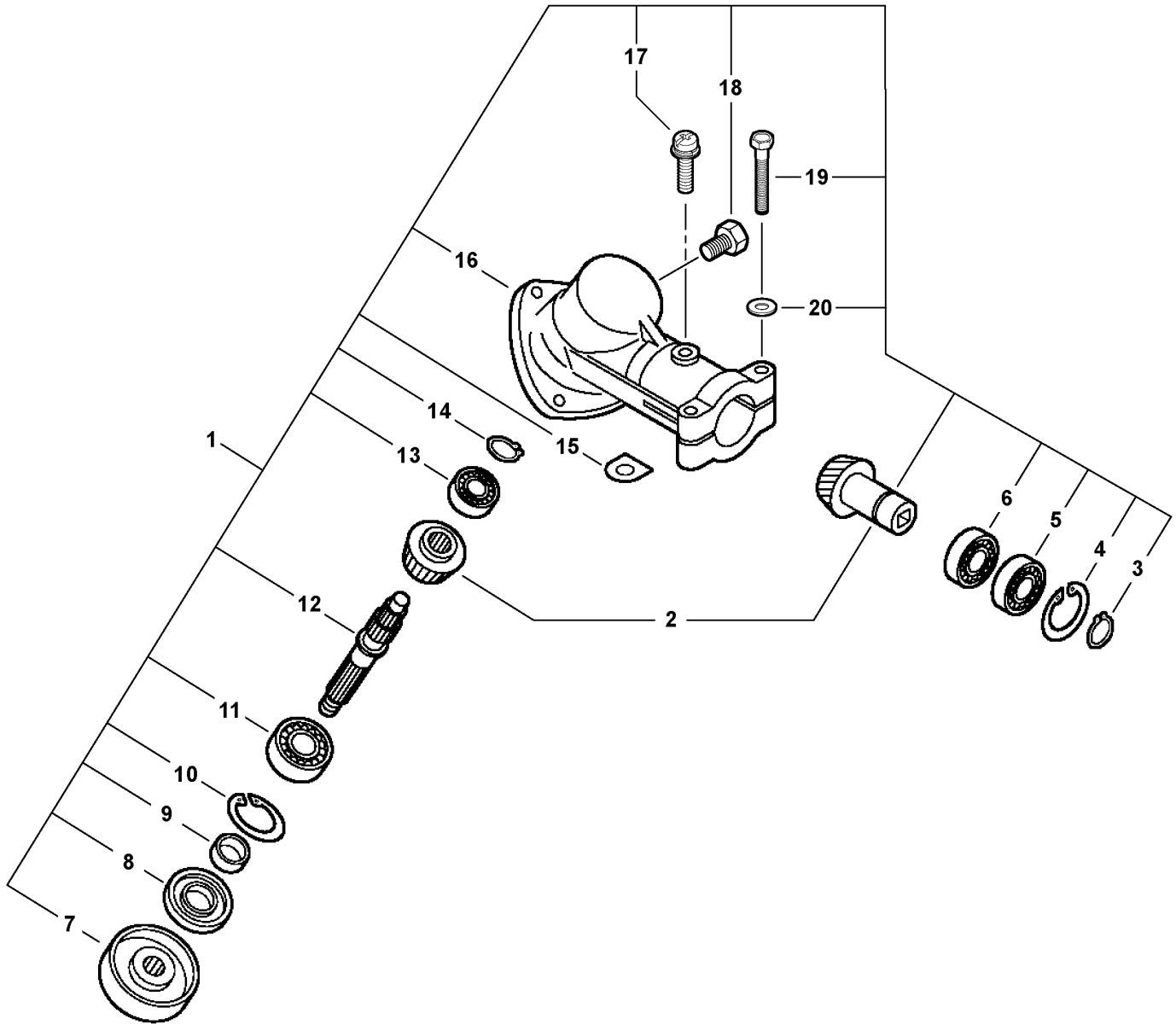
Footnotes

1: Also Included In GASKET KIT



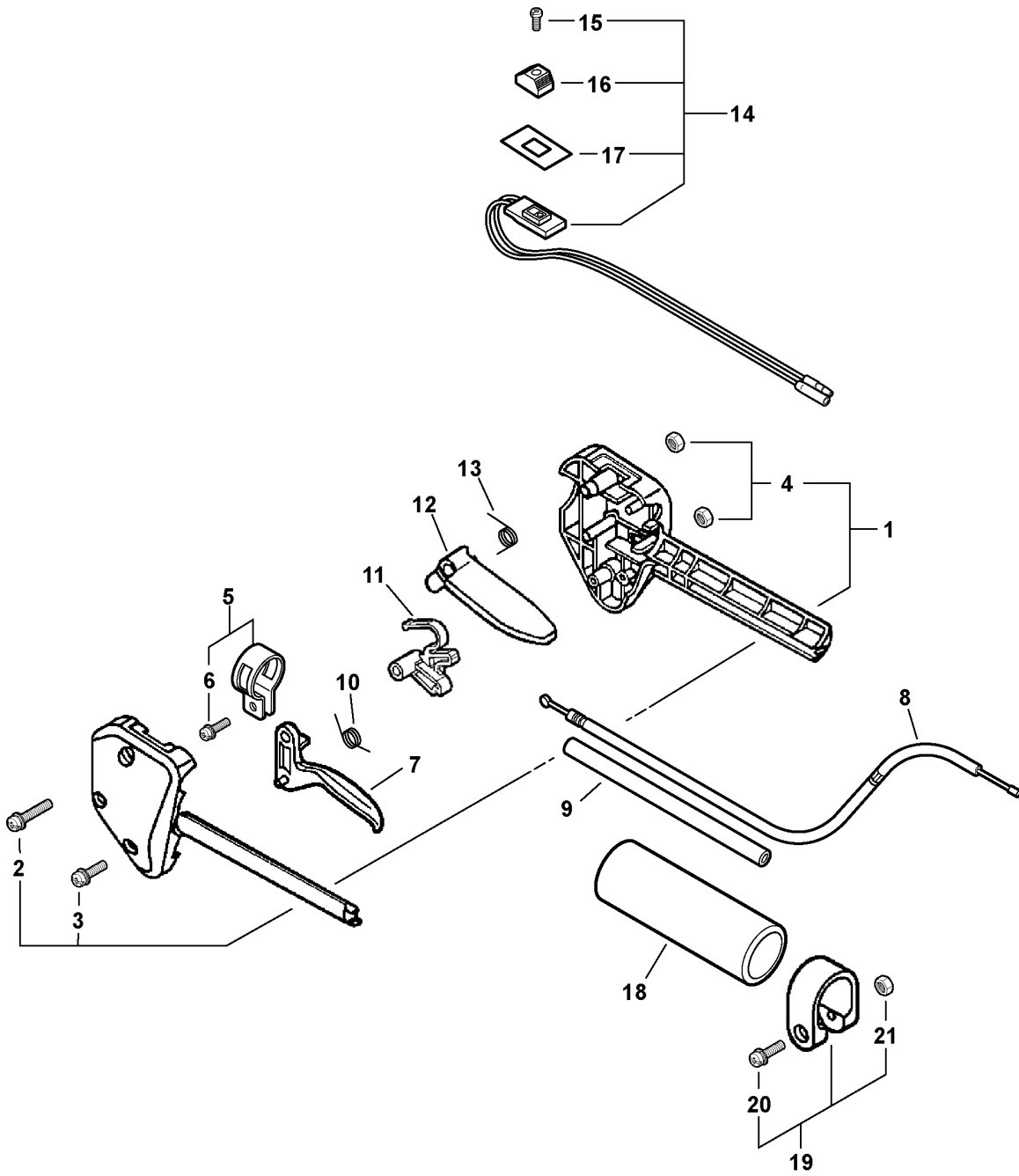
034 0001 000

ITEM	PART NUMBER	QTY	DESCRIPTION	REMARKS
1	P021001392	1	PLASTIC SHIELD KIT	INCLUDES ITEMS 2-7
2	C550000031	1	SHIELD - PLASTIC	
3	90023805020	3	SCREW 5X20	
4	C552000110	1	FLANGE, SHIELD	
5	69901644330	1	CUTTER, LINE	
6	90023805016	2	SCREW 5X16	
7	90050000005	2	NUT 5	



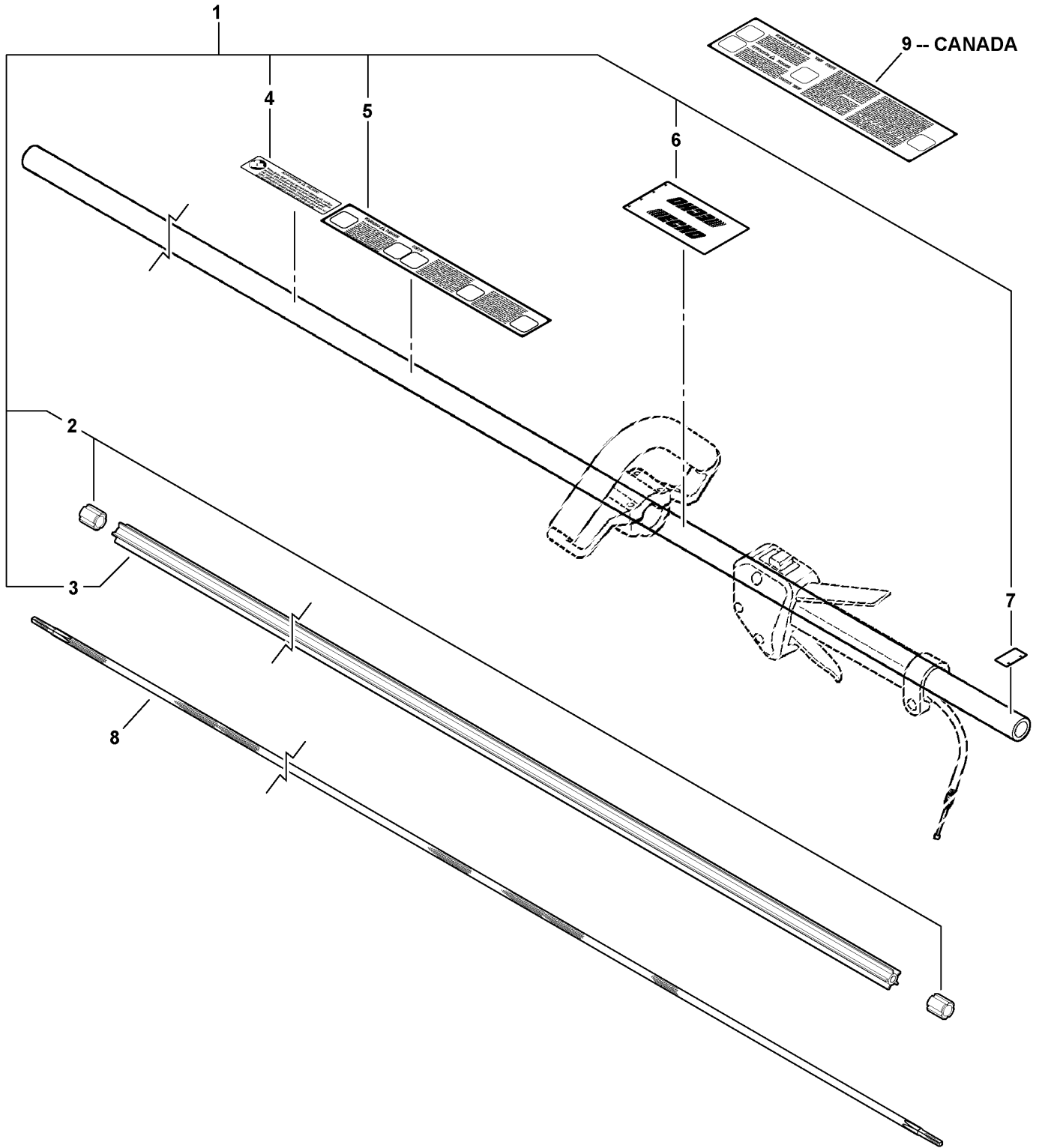
032 0001 000

ITEM	PART NUMBER	QTY	DESCRIPTION	REMARKS
1	61040247732	1	GEAR CASE ASY	INCLUDES ITEMS 2-20
2	61030044830	1	GEAR SET	
3	90070600010	1	CIRCLIP 10	
4	90070200022	1	CIRCLIP 22	
5	90085806900	1	BEARING, BALL - 6900Z	
6	90085506900	1	BEARING, BALL - 6900	
7	61031347731	1	PLATE, ADAPTER (UPPER)	
8	61041307130	1	OIL SEAL	
9	61031507130	1	SPACER	
10	90070200032	1	CIRCLIP 32	
11	9403536201	1	BEARING, BALL - 6201	
12	61036008931	1	SHAFT, P.T.O.	
13	90080000609	1	BEARING, BALL - 609	
14	90070600012	1	CIRCLIP 12	
15	61023904130	2	WASHER, SHIM	
16	61046027431	1	HOUSING, GEAR	
17	90024205010	1	SCREW 5X10	
18	61043450031	1	BOLT 8X8	
19	90010005035	2	BOLT 5X35	
20	90060000005	2	WASHER 5	



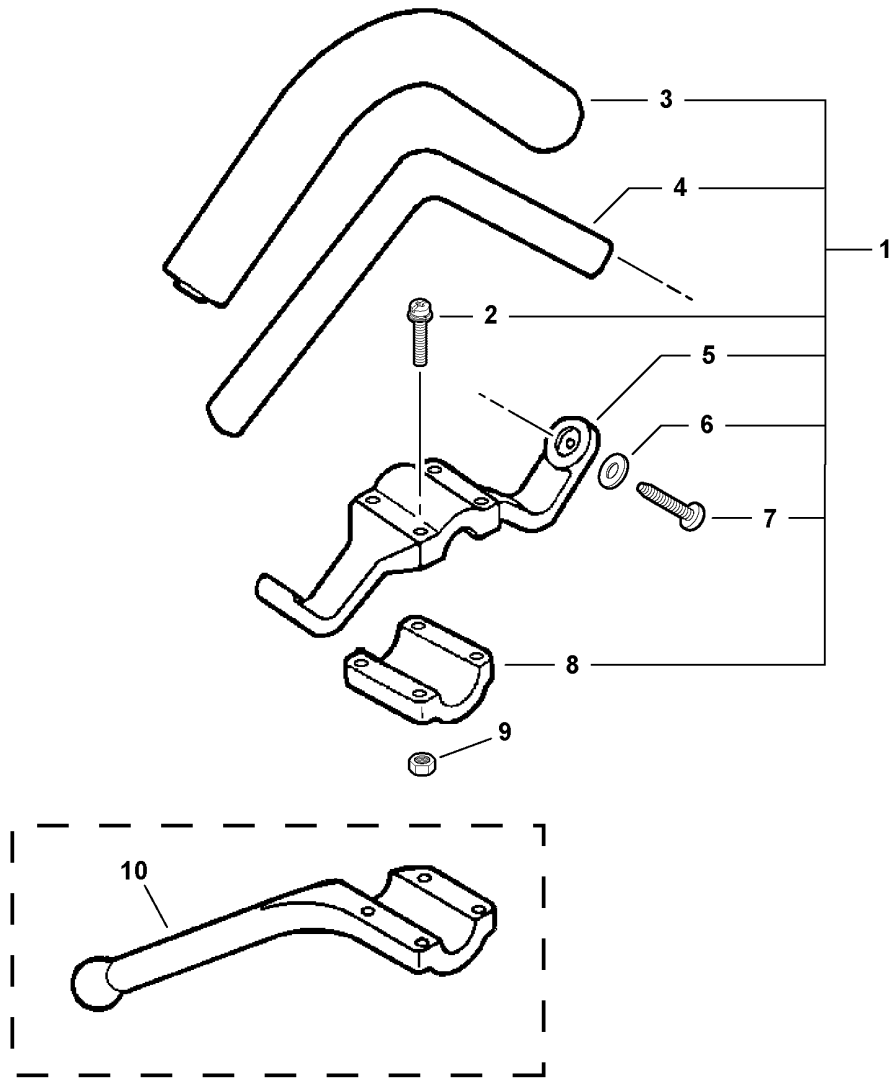
030 0035 000

ITEM	PART NUMBER	QTY	DESCRIPTION	REMARKS
1	17800352130	1	CONTROL HANDLE KIT	INCLUDES ITEMS 2-4
2	90024205035	1	SCREW 5X35	
3	90024205025	1	SCREW 5X25	
4	90050000005	2	NUT 5	
5	30120029430	1	BAND ASY	INCLUDES ITEM 6
6	90024205014	1	SCREW 5X14	
7	17801052130	1	TRIGGER, THROTTLE	
8	V430000730	1	CABLE, THROTTLE	
9	17812750330	1	TUBE, VINYL	
10	17804342230	1	SPRING, THROTTLE RETURN	
11	17801252730	1	LOCKOUT, THROTTLE TRIGGER	
12	17809052631	1	LEVER, THROTTLE TRIGGER LOCKOUT	
13	17801352630	1	SPRING, THROTTLE LOCKOUT	
14	16340155631	1	IGNITION SWITCH KIT	INCLUDES ITEMS 15-17
15	9154503010	1	SCREW 3X10	
16	16341049231	1	KNOB, SWITCH	
17	89015712330	1	COVER, SWITCH	
18	35121352130	1	GRIP, HANDLE	
19	61027252130	1	CLAMP KIT	INCLUDES ITEMS 20-21
20	90024205028	1	SCREW 5X28	
21	90050000005	1	NUT 5	



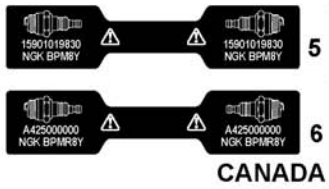
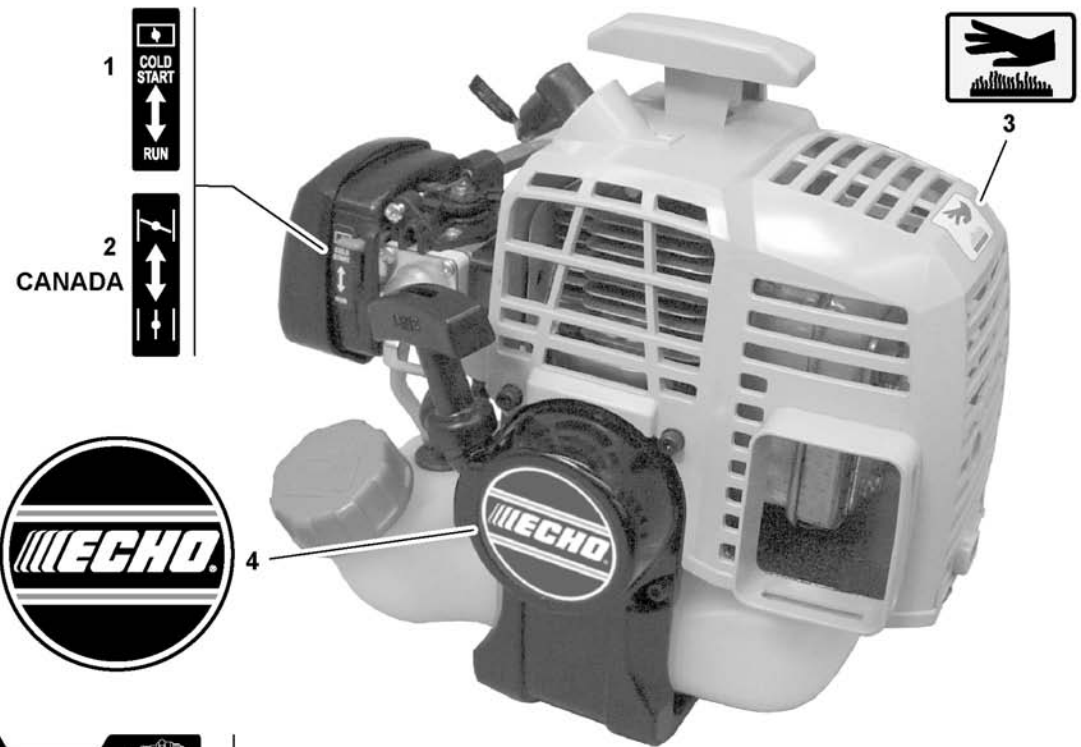
031 0009 000

ITEM	PART NUMBER	QTY	DESCRIPTION	REMARKS
1	61060944730	1	MAIN PIPE ASY	INCLUDES ITEMS 2-7
2	61024644730	2	STOPPER	
3	61021744730	1	LINER, FLEXIBLE	
4	89022809560	1	LABEL - CAUTION -- SPANISH	
5	89016054130	1	LABEL, CAUTION - US	
6	X505001930	1	LABEL - HANDLE LOCATION	
7	89015204930	1	LABEL - PIPE LOCATION	
8	61001344730	1	DRIVESHAFT - FLEXIBLE	
9	89031749030	1	LABEL, CAUTION - CANADA	



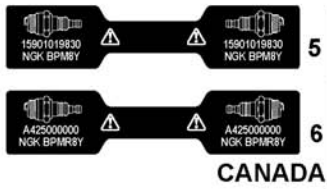
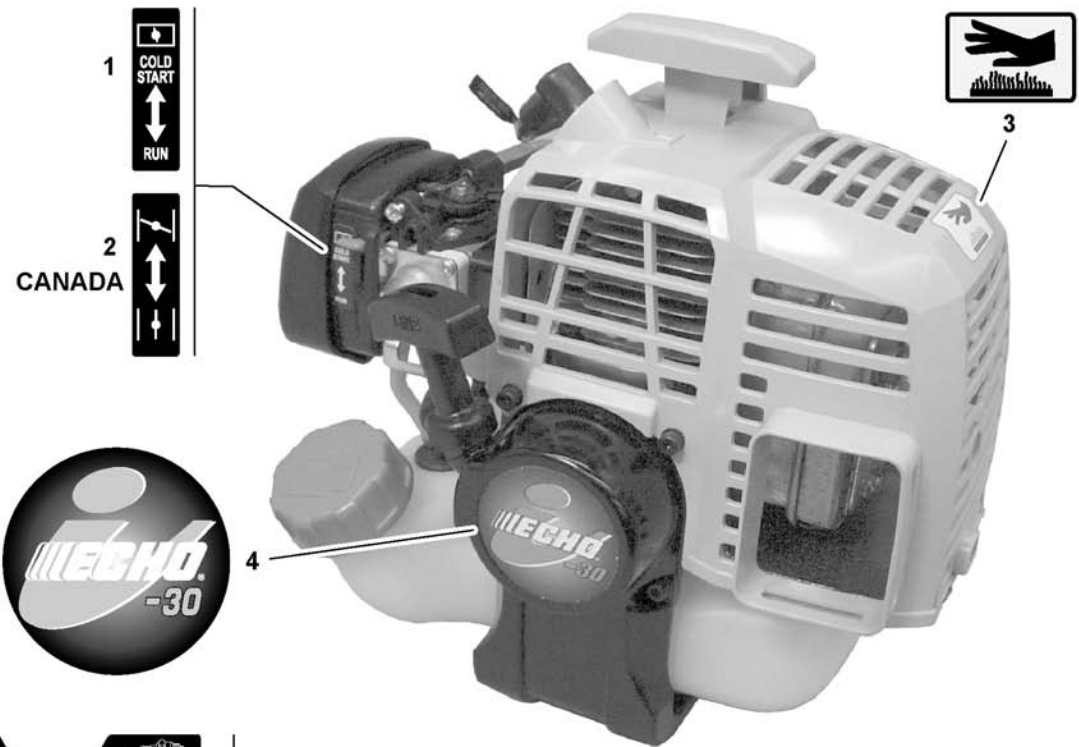
030 0008 000

ITEM	PART NUMBER	QTY	DESCRIPTION	REMARKS
1	P021000021	1	FRONT HANDLE ASY	INCLUDES ITEMS 2-9
2	90024205035	4	SCREW 5X35	
3	35121666230	1	GRIP, HANDLE	
4	35120566230	1	HANDLE, FRONT	
5	35123266230	1	BRACKET, HANDLE - UPPER	
6	90060000005	2	WASHER 5	
7	90025305020	2	SCREW 5	
8	35122507130	1	BRACKET, HANDLE - LOWER	
9	90050000005	4	NUT 5	
10	99944200455	1	BAR, BARRIER	



100 0086 00B

ITEM	PART NUMBER	QTY	DESCRIPTION	REMARKS
1	89012152730	1	LABEL - CHOKE	
2	89033252730	1	LABEL - CHOKE	CANADA MODELS
3	89016006361	1	LABEL - CAUTION -- HOT	
4	X502000310	1	LABEL - ECHO	
5	X532000671	1	LABEL - SPARK PLUG -- BPM-8Y	
6	X532000720	1	LABEL - SPARK PLUG -- BPMR-8Y	CANADA MODELS
7	X543000170	1	LABEL - MODEL -- SRM-210	
8	X543000180	1	LABEL - MODEL -- SRM-210SB	
9	X543000190	1	LABEL - MODEL -- SRM-210U	
10	X503001290	1	LABEL - MODEL -- SRM-211	
11	X503001580	1	LABEL - MODEL -- SRM-211SB	
12	X503001690	1	LABEL - MODEL -- SRM-211U	



100 0086 00C

ITEM	PART NUMBER	QTY	DESCRIPTION	REMARKS
1	89012152730	1	LABEL - CHOKE	
2	89033252730	1	LABEL - CHOKE	CANADA MODELS
3	89016006361	1	LABEL - CAUTION -- HOT	
4	X502000150	1	LABEL - ECHO	
5	X532000671	1	LABEL - SPARK PLUG -- BPM-8Y	
6	X532000720	1	LABEL - SPARK PLUG -- BPMR-8Y	CANADA MODELS
7	X543000170	1	LABEL - MODEL -- SRM-210	
8	X543000180	1	LABEL - MODEL -- SRM-210SB	
9	X543000190	1	LABEL - MODEL -- SRM-210U	
10	X503001290	1	LABEL - MODEL -- SRM-211	
11	X503001580	1	LABEL - MODEL -- SRM-211SB	
12	X503001690	1	LABEL - MODEL -- SRM-211U	

Use Gasket Kit	Contains:	Service Number	Description
P021004270		10024242030	GASKET, CRANKCASE
		13001013410	GASKET, INTAKE
		13001042032	GASKET, INTAKE
		14586642031	GASKET, EXHAUST
		V100000080	GASKET, CYLINDER
		V104000360	GASKET, EXHAUST
		V104000420	SHIELD, EXHAUST
		V104000440	GASKET, EXHAUST

300 0031 000

<u>ITEM</u>	<u>PART NUMBER</u>	<u>QTY</u>	<u>DESCRIPTION</u>	<u>REMARKS</u>
1	P021004270	1	GASKET KIT	

RePower Tune-Up Kit	Contains: Service Number	Description
90074	13031054130	AIR FILTER
	13120507320	FUEL FILTER
	15901019830	SPARK PLUG BPM-8Y

<u>ITEM</u>	<u>PART NUMBER</u>	<u>QTY</u>	<u>DESCRIPTION</u>	<u>REMARKS</u>
1	90074	1	TUNE-UP KIT	

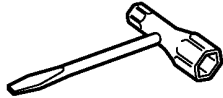
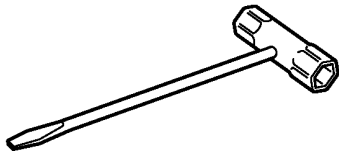
SOCKET WRENCH W/SCREWDRIVER (Also Remove Spark Plugs)

1 - 89541010630 -- 17X19mm

2 - X602000020 -- 17X19mm

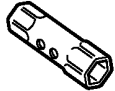
3 - 89541039131 -- 10X19mm

4 - 89541006960 -- 13X19mm



SOCKET WRENCH

5 - X602000031 -- 17X14.5mm



LOCKING BAR

6 - 89751801131 -- 5X120mm



OPEN END WRENCH

7 - 89511200330 -- 8X10mm



8 - 89512220960 -- 17X19mm

9 - 89501505260 -- 10mm



HEX BAR

10 - 89541220960 -- 10mm



L-WRENCH

11 - 89561203430 -- 3mm HEX KEY



12 - 89561000130 -- 4mm HEX KEY



13 - 89561100330 -- 5mm HEX KEY

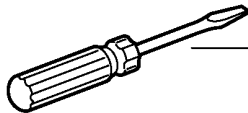


14 - X605000050 -- 3mm TORX

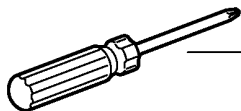


SCREWDRIVER

15 - 89581100130 -- 125mm SLOTTED



16 - 89581203930 -- 50mm PHILLIPS



200 0002 000

ITEM	PART NUMBER	QTY	DESCRIPTION	REMARKS
1	89541010630	1	SOCKET WRENCH/SCREWDRIVER	17X19mm
2	X602000020	1	SOCKET WRENCH/SCREWDRIVER	17X19mm
3	89541039131	1	SOCKET WRENCH/SCREWDRIVER	10X19mm
4	89541006960	1	SOCKET WRENCH/SCREWDRIVER	13X19mm
5	X602000031	1	SOCKET WRENCH	17X14.5mm
6	89751801131	1	LOCKING BAR	5X120mm
7	89511200330	1	OPEN END WRENCH	8X10mm
8	89512220960	1	OPEN END WRENCH	17X19mm
9	89501505260	1	OPEN END WRENCH	10mm
10	89541220960	1	HEX BAR	10mm
11	89561203430	1	HEX KEY	3mm
12	89561000130	1	HEX KEY	4mm
13	89561100330	1	HEX KEY	5mm
14	X605000050	1	TORX KEY	3mm
15	89581100130	1	SCREWDRIVER	SLOTTED HEAD
16	89581203930	1	SCREWDRIVER	PHILLIPS HEAD



Part Number Index

Click The Page Number After Any Part Number To View The Diagram Containing That Part.

Part Number	Page	Part Number	Page	Part Number	Page	Part Number	Page
.....	7, 9, 11, 13	6103150713031	A05100068019	X60200003147
1000131152027	6103600893131	A05200018019	X60500005047
1000141152027	6104024773231	A10100000027		
1000150463027	6104130713031	A13000043027		
1002045213127	6104345003131	A1600001815		
1002124203127	6104602743131	A1620000505		
1002424203027	6106094473035	A30000014115		
1015035213123	6109035523023	A31300013015		
125310618309, 11, 13	6109105523023	A35000022021		
125339420309, 11, 13	6109222743223	A35600003021		
125342521309, 11, 13	6109235523023	A40900016025		
125344139319, 11, 13	6990164433029	A41100014025		
125344521309, 11, 13	8901215273039, 41	A42500000025		
125381086609, 11, 13	8901520493035	C55000003129		
129011527307	8901571233033	C55200011029		
130010134107	8901600636139, 41	P0050001009, 11, 13		
130010420327	8901605413035	P0050001209, 11		
130017443307	8902280956035	P0050001809		
130310541307	8903174903035	P0050001909, 11, 13		
130313058637	8903325273039, 41	P0050002509, 11, 13		
130313065637	8950150526047	P0050002709, 11, 13		
1310045553021	8951120033047	P0050002809, 11, 13		
1310165583021	8951222096047	P0050003709		
1310452823021	8954100696047	P0050005509, 11, 13		
1310515603021	8954101063047	P0050005709		
1312050732021	8954103913147	P0050006909		
1320125603021	8954122096047	P0050007009, 11		
1320130982021	8956100013047	P0050009309, 11, 13		
1458624063015	8956110033047	P0050009509, 11, 13		
1561105493025	8956120343047	P0050010009, 11, 13		
1561124063025	8958110013047	P00500123011		
1590101983025	8958120393047	P00500124011, 13		
1590110343225	8975180113147	P00500126011, 13		
1590120162025	9001000503531	P00500127011, 13		
1620105283025	9001050505515	P00500133013		
1634015563133	9001420502523	P00500162013		
1634104923133	9001620402025	P02100002137		
1750005683023	9001620501621	P0210009917		
1750054893123	9001620502227	P02100110127		
1772005413017	9001620502827	P02100139229		
1772024433117	900163040165, 17, 19, 23	P02100427043		
1772154443017	900220050657	P0210044807		
1772184433017	900238050165, 29	P02200210019		
1772204203017, 19	900238050207, 29	P02200651019		
1772261012017	9002420501031	P02200683019		
1772274203017, 19	9002420501433	P02200685019		
1772280653017	9002420502533	P02200826019		
1772282703019	9002420502833	P02200827019		
1772341222017	9002420503533, 37	P02200828019		
1772364433017	9002530502037	SB106527		
1772366183019	900500000057, 29, 33, 37	V10000008027		
1772461112019	9006000000531, 37	V10400036015		
1780035213033	9006030000521	V10400044015		
1780105213033	9007010001223	V13700003021		
1780125273033	9007020002231	V15000037115		
1780135263033	9007020002823	V34700000015		
1780434223033	9007020003231	V43000073033		
1780905263133	9007060001031	V47100119021		
1781275033033	9007060001231	V47100120021		
210417527307	9007445	V55300001027		
3012002943033	9008000060931	V62200002023, 27		
3512056623037	9008079600123	X50200015041		
3512135213033	9008550690031	X50200031039		
3512166623037	9008580690031	X50300129039, 41		
3512250713037	91107040085	X50300158039, 41		
3512326623037	913670401015	X50300169039, 41		
6100134473035	915450301033	X50500193035		
6102174473035	940353620127, 31	X53200067139, 41		
6102390413031	9994420045537	X53200072039, 41		
6102464473035	A01100010127	X54300017039, 41		
6102725213033	A0210003829	X54300018039, 41		
6103004483031	A02100072011	X54300019039, 41		
6103134773131	A02100072113	X60200002047		



Part Description Index

Click The Page Number After Any Part Description To View The Diagram Containing That Part.

B

BAND ASY.....33
 BAR, BARRIER.....37
 BEARING, BALL - 6001.....23
 BEARING, BALL - 609.....31
 BEARING, BALL - 6201.....27, 31
 BEARING, BALL - 6900.....31
 BEARING, BALL - 6900Z.....31
 BEARING, NEEDLE.....27
 BODY, CARBURETOR.....9, 11, 13
 BOLT 5X25.....23
 BOLT 5X35.....31
 BOLT 8X8.....31
 BRACKET, HANDLE - LOWER.....37
 BRACKET, HANDLE - UPPER.....37
 BULB, PURGE.....9, 11, 13
 BUSHING.....25

C

CABLE, THROTTLE.....33
 CAP ASY.....21
 CAP, SPARK PLUG.....25
 CARBURETOR.....7
 CARBURETOR -- RB-K66B.....9
 CARBURETOR -- RB-K70.....11
 CARBURETOR -- RB-K70A.....13
 CASE, AIR CLEANER - BLACK.....7
 CASE, AIR CLEANER - GRAY.....7
 CIRCLIP 10.....31
 CIRCLIP 12.....23, 31
 CIRCLIP 22.....31
 CIRCLIP 28.....23
 CIRCLIP 32.....31
 CIRCLIP, PISTON PIN.....27
 CLAMP KIT.....33
 CLIP.....21
 CLIP, STARTER ROPE.....19
 CLUTCH ASY.....23
 COIL, IGNITION.....25
 CONICAL WASHER.....15
 CONNECTOR, CAP.....21
 CONTROL HANDLE KIT.....33
 COVER, DIAPHRAGM.....9, 11, 13
 COVER, ENGINE.....5
 COVER, SWITCH.....33
 CRANKCASE KIT.....27
 CRANKSHAFT ASY.....27
 CUSHION.....23
 CUTTER, LINE.....29
 CYLINDER.....27

D

DIAPHRAGM, METERING.....9, 11, 13
 DIAPHRAGM, PUMP.....9, 11, 13
 DIAPHRAGM/GASKET KIT.....9, 11, 13
 DOWEL PIN.....23, 27
 DRIVESHAFT - FLEXIBLE.....35
 DRUM.....19
 DRUM, CLUTCH.....23
 DRUM, STARTER.....17

E

E-RING.....9, 11, 13, 19

F

FAN COVER ASY.....23
 FILTER, AIR.....7
 FILTER, FUEL.....21
 FLANGE, SHIELD.....29
 FLYWHEEL.....25
 FRONT HANDLE ASY.....37
 FUEL TANK ASY.....21

G

GASKET KIT.....43
 GASKET, CAP.....21
 GASKET, CRANKCASE.....27
 GASKET, CYLINDER.....27
 GASKET, EXHAUST.....15
 GASKET, INTAKE.....7
 GASKET, METERING.....9, 11, 13
 GASKET, PUMP.....9, 11, 13
 GEAR CASE ASY.....31
 GEAR SET.....31
 GRIP, HANDLE.....33, 37
 GRIP, STARTER.....17, 19
 GROMMET.....21
 GUARD, TOP.....5
 GUIDE, EXHAUST.....15
 GUIDE, ROPE.....17, 19

H

HANDLE, FRONT.....37
 HEX BAR.....47
 HEX KEY.....47
 HOLDER.....23
 HOLDER KIT.....23
 HOUSING, GEAR.....31

I

IGNITION SWITCH KIT.....33
 INSULATOR, INTAKE.....7

J

JET.....9

K

KNOB, SWITCH.....33

L

LABEL - CAUTION -- HOT.....39, 41
 LABEL - CAUTION -- SPANISH.....35
 LABEL - CHOKE.....39, 41
 LABEL - ECHO.....39, 41
 LABEL - HANDLE LOCATION.....35
 LABEL - MODEL -- SRM-210.....39, 41
 LABEL - MODEL -- SRM-210SB.....39, 41
 LABEL - MODEL -- SRM-210U.....39, 41
 LABEL - MODEL -- SRM-211.....39, 41
 LABEL - MODEL -- SRM-211SB.....39, 41
 LABEL - MODEL -- SRM-211U.....39, 41
 LABEL - PIPE LOCATION.....35
 LABEL - SPARK PLUG -- BPM-8Y.....39, 41
 LABEL - SPARK PLUG -- BPMR-8Y.....39, 41
 LABEL, CAUTION - CANADA.....35
 LABEL, CAUTION - US.....35

LEAD, IGNITION.....25
 LEVER, METERING.....9, 11, 13
 LEVER, THROTTLE TRIGGER LOCKOUT.....33
 LID, AIR CLEANER - BLACK.....7
 LID, AIR CLEANER - GRAY.....7
 LINER, FLEXIBLE.....35
 LOCKING BAR.....47
 LOCKOUT, THROTTLE TRIGGER.....33

M

MAIN PIPE ASY.....35
 MUFFLER.....15

N

NEEDLE - HIGH SPEED.....11, 13
 NUT 5.....7, 29, 33, 37
 NUT, CABLE.....9, 11

O

OIL SEAL.....27, 31
 OPEN END WRENCH.....47
 O-RING.....9, 11, 13

P

PAWL, STARTER.....17, 19
 PIN, METERING LEVER.....9, 11, 13
 PIN, PISTON.....27
 PIPE, FUEL - 3X5X180mm.....21
 PIPE, RETURN - 3X6X80mm.....21
 PIPE, VENT - 3X5X70mm.....21
 PISTON KIT.....27
 PLASTIC SHIELD KIT.....29
 PLATE, ADAPTER (UPPER).....31
 PLATE, CAM.....19
 PLATE, EYE.....15
 PLATE, PREVENT.....7
 PLUG.....11, 13
 PLUG KIT.....9
 PURGE BASE ASY.....9, 11, 13

R

REPAIR KIT.....9, 11, 13
 RETAINER, PURGE BULB.....9, 11, 13
 RING, PISTON.....27
 ROLLER, GUIDE.....9, 11, 13
 ROPE, STARTER - 3X1000mm.....17
 ROPE, STARTER - 3X700mm.....19
 ROTOR COVER ASY.....9, 11, 13

S

SCREEN, MUFFLER.....15
 SCREW.....17, 19
 SCREW 3X10.....33
 SCREW 4X10.....15
 SCREW 4X16.....5, 17, 19, 23
 SCREW 4X20.....25
 SCREW 4X8.....5
 SCREW 5.....37
 SCREW 5X10.....31
 SCREW 5X14.....33
 SCREW 5X16.....5, 21, 29
 SCREW 5X20.....7, 29
 SCREW 5X22.....27



Part Description Index (continued)

SCREW 5X25.....33
 SCREW 5X28.....27, 33
 SCREW 5X35.....33, 37
 SCREW 5X55.....15
 SCREW 5X65.....7
 SCREW, CABLE ADJUST.....9, 11, 13
 SCREW, DIAPHRAGM COVER.....9, 11, 13
 SCREW, METERING LEVER PIN.....9, 11, 13
 SCREW, PURGE BASE ASY.....9, 11, 13
 SCREW, PURGE BULB RETAINER.....9, 11, 13
 SCREW, ROTOR COVER.....13
 SCREW, ROTOR COVER ASY.....9, 11, 13
 SCREW, THROTTLE ADJUST.....9, 11, 13
 SCREWDRIVER.....47
 SHAFT, P.T.O.....31
 SHIELD - PLASTIC.....29
 SHIELD, EXHAUST.....15
 SHIELD, INTAKE.....7
 SHORT BLOCK.....27
 SOCKET WRENCH.....47
 SOCKET WRENCH/SCREWDRIVER.....47
 SPACER.....21, 31
 SPACER, PISTON PIN.....27
 SPARK PLUG -- BPM-8Y.....25
 SPARK PLUG -- BPMR-8Y.....25
 SPRING.....11
 SPRING, DAMPER.....19
 SPRING, METERING LEVER.....9, 13
 SPRING, PAWL RETURN.....19
 SPRING, RETURN.....17
 SPRING, REWIND.....17, 19
 SPRING, THROTTLE LOCKOUT.....33
 SPRING, THROTTLE RETURN.....33
 STARTER ASY.....17, 19
 STARTER PAWL ASY.....17, 19
 STOPPER.....35
 STRAINER.....9, 11, 13
 SWIVEL.....9, 11, 13

T

TERMINAL, SPARK PLUG CAP.....25
 TORX KEY.....47
 TRIGGER, THROTTLE.....33
 TUBE, INSULATOR.....25
 TUBE, VINYL.....33
 TUNE-UP KIT.....45

V

VALVE, INLET NEEDLE.....9, 11, 13
 VENT ASY.....21

W

WASHER 5.....21, 31, 37
 WASHER, SHIM.....31
 WING BOLT.....7

NOTES



ECHO, INCORPORATED

400 Oakwood Road
Lake Zurich, IL 60047 USA

WWW.ECHO-USA.COM
