



Operator's Manual DLM-2100 Mower

WARNING

This product contains chemicals known to the State of California to cause cancer, birth defects, or other reproductive harm. Cancer and Reproductive Harm www.P65Warnings.ca.gov

WARNING



Read and understand all provided literature before use. Failure to do so could result in serious injury.

Note: This product complies with CAN ICES-003(B) / NMB-003(B)

99922238025

© 03/2024 ECHO Incorporated

TABLE OF CONTENTS

Introduction.....	3
Servicing Information.....	3
Parts / Serial Number.....	3
Service.....	4
ECHO Consumer Product Support	4
Product Registration.....	4
Additional Literature.....	4
Safety	5
Manual Safety Symbols and Important Information.....	6
International Symbols.....	6
Lawn Mower Safety Warnings.....	7
FCC Statement.....	12
Description.....	13
Contents	14
Assembly.....	15
Install The Upper handle	15
Unfold The Lower handle	16
Mower Functions	17
Install The Grass Catcher.....	17
Install The Mulch Plug	18
Install The Side Discharge Chute.....	18
Set The Cutting Height	19
Installing and Removing The Battery.....	20
Operation.....	21
Starting The Unit.....	21
Stopping The Unit.....	21
Operate on Slopes.....	22
Empty the Grass Catcher	22
Operation Tips	23
Maintenance	24
Cleaning Battery and Battery Compartment.....	26
Replace The Blade	27
Troubleshooting	28
Storage.....	31
Vertical Storage	31
Storage After Use	32
Specifications	33
Product Registration	34
Warranty	36

INTRODUCTION

Specifications, descriptions and illustrative material in this literature are as accurate as known at the time of publication, but are subject to change without notice. Illustrations may include optional equipment and accessories, and may not include all standard equipment.



Read and understand all provided literature. Literature contains specifications and information for safety, operation, maintenance, storage, and assembly specific to this product. Scan QR code for more information.



For additional literature, including safety manuals where applicable, or questions regarding terms used in this manual, visit:

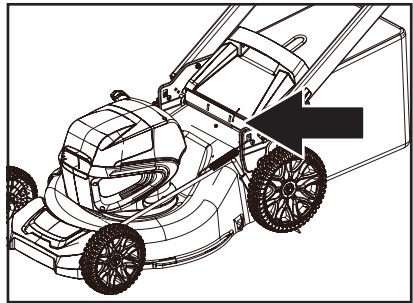
<https://www.echo-usa.com/manuals>



SERVICING INFORMATION

Parts / Serial Number

Genuine ECHO Parts and Assemblies for your ECHO products are available only from an Authorized ECHO Dealer. When you do need to buy parts always have the Model Number and Serial Number of the unit with you. For future reference write them in the space provided below.



Model No. _____

Serial No. _____

Service

Service of this product during the warranty period must be performed by an Authorized ECHO Service Dealer. For the name and address of the Authorized ECHO Service Dealer nearest you, ask your retailer or call: 1-800-432-ECHO (3246). Dealer information is also available on our Web Site www.echo-usa.com. When presenting your unit for Warranty service/repairs, proof of purchase is required.

ECHO Consumer Product Support

If you require assistance or have questions concerning the application, operation, or maintenance of this product, call the ECHO Consumer Product Support Department at 1-800-432-ECHO (3246) from 8:00 am to 5:00 pm (Central Standard Time) Monday through Friday. Before calling, please know the model and serial number of your unit.

Product Registration

Register your ECHO equipment online at www.echo-usa.com or by filling out the product registration sheet included in this manual. Registering your product confirms warranty coverage and provides a direct link to ECHO if we find it necessary to contact you.

Additional Literature

In addition to finding information online, information is available from your Authorized ECHO Service Dealer, or by contacting ECHO Incorporated, 400 Oakwood Road, Lake Zurich, IL 60047, 1-800-432-ECHO (3246).

Manual Safety Symbols and Important Information

Throughout this manual and on the product itself, you will find safety alerts and helpful, informational messages preceded by symbols or key words. The following is an explanation of those symbols and key words and what they mean to you.

DANGER

*The safety alert symbol accompanied by the word “DANGER” calls attention to an act or condition which **WILL** lead to serious personal injury or death if not avoided.*

WARNING

*The safety alert symbol accompanied by the word “WARNING” calls attention to an act or condition which **CAN** lead to serious personal injury or death if not avoided.*

CAUTION

*The safety alert symbol accompanied by the word “CAUTION” calls attention to an act or condition which **might** lead to minor or moderate personal injury if not avoided.*

NOTICE

The enclosed message provides information necessary for the protection of the unit.

Note: This enclosed message provides tips for use, care and maintenance of the unit.









CIRCLE AND SLASH SYMBOL

This symbol means the specific action shown is prohibited. Ignoring these prohibitions can result in serious or fatal injury.

International Symbols

Some of the following symbols may be used on this product. Please study them and learn their meaning. Proper interpretation of these symbols will allow you to operate the product better and safer.

Symbol	Description
	Precautions that involve your safety.
	To reduce the risk of injury, user must read instruction manual.
	Keep hands and feet away from blade and cutting area.
	WARNING — Beware of thrown objects — keep bystanders away.
	WARNING — Keep hands and feet away from the blades.
	WARNING — Disconnect all batteries before maintenance.

SAFETY

Lawn Mower Safety Warnings

WARNING

Read all safety warnings, instructions, illustrations and specifications provided with this lawnmower. Failure to follow all instructions listed below may result in electric shock, fire and/or serious injury.

Save all warnings and instructions for future reference.

Work area safety

- **To avoid bystander contact with the moving blade or a thrown object injury, keep the area of operation clear of all bystanders, particularly small children.** *Stop the lawnmower and any attachment(s) if anyone enters the area. Contact with the moving blade or thrown objects may result in serious personal injury or death.*
- **Only operate the lawnmower in daylight or good artificial light.** *Dark areas invite accidents.*
- **Do not operate lawnmowers in explosive atmospheres, such as in the presence of flammable liquids, gases or dust.** *Lawnmowers create sparks which may ignite the dust or fumes.*
- **Do not use the lawnmower in bad weather conditions, especially when there is a risk of lightning.** *This decreases the risk of being struck by lightning.*
- **Thoroughly inspect the area where the lawnmower is to be used and remove all stones, sticks, wires, bones, and other foreign objects.** *Thrown objects can cause personal injury.*

Electrical safety

- **Do not expose the lawnmower to rain or wet conditions.** *Water entering a lawnmower may increase the risk of electric shock.*

Personal safety

- **Use personal protective equipment.** *Always wear eye protection. Protective equipment will reduce personal injuries.*
- **Dress properly.** *Do not wear loose clothing or jewelry. Keep your hair and clothing away from moving parts. Loose clothes, jewelry or long hair can be caught in moving parts.*

- **While operating the lawnmower, always wear long trousers.** *Exposed skin increases the likelihood of injury from thrown objects.*
- **While operating the lawnmower, always wear non-slip and protective footwear.** *Do not operate the lawnmower when barefoot or wearing open sandals. This reduces the chance of injury to the feet from contact with the moving blade.*
- **Prevent unintentional starting.** *Ensure the switch is in the off-position before connecting to power source and/or batteries, picking up or carrying the lawnmower. Carrying a lawnmower with your finger on the switch or energizing a lawnmower that has the switch on invites accidents.*
- **Remove any adjusting key or wrench before turning the lawnmower on.** *A wrench or a key left attached to a rotating part of the lawnmower may result in personal injury.*
- **Keep proper footing and balance at all times.** *This enables better control of the lawnmower in unexpected situations.*
- **Stay alert, watch what you are doing and use common sense when operating a lawnmower.** *Do not use a lawnmower while you are tired or under the influence of drugs, alcohol or medication. A moment of inattention while operating a lawnmower may result in serious personal injury.*
- **Do not let familiarity gained from frequent use of lawnmower allow you to become complacent and ignore lawnmower safety principles.** *A careless action can cause severe injury within a fraction of a second.*
- **To avoid operator blade contact or a thrown object injury, stay in the operator zone behind the lawnmower handles.** *Blade contact or thrown objects may result in serious personal injury.*
- **Do not touch blades and other hazardous moving parts while they are still in motion.** *This reduces the risk of injury from moving parts.*

Lawnmower use and care

- **Use the lawnmower and accessories in accordance with these instructions, taking into account the working conditions and the work to be performed.** *Use of the lawnmower for operations different from those intended may result in a hazardous situation.*
- **Before using the lawnmower, always visually inspect to see that the blade(s) and the blade(s) assembly are properly secured and not worn or damaged.** *Loose, worn, or damaged parts may increase the risk of injury.*
- **Keep guards and other safety devices in place, properly mounted, and in working order.** *A guard or other safety device that is loose, damaged, or is not functioning correctly may result in personal injury.*
- **Keep all cooling air inlets clear of debris.** *Blocked air inlets and debris may result in overheating or risk of fire.*

- **Do not use the lawnmower if the switch does not turn it on and off.** *Any lawnmower that cannot be controlled with the switch is dangerous and must be repaired.*
- **Do not operate the lawnmower in wet grass.** *Walk, never run. This reduces the risk of slipping and falling which may result in personal injury.*
- **Do not operate the lawnmower on excessively steep slopes.** *This reduces the risk of loss of control, slipping and falling which may result in personal injury.*
- **Do not force the lawnmower.** *Use the correct lawnmower for your application. The correct lawnmower will do the job better and safer at the rate for which it was designed.*
- **Be aware of the mower and attachment discharge direction and do not point the mower discharge at anyone.** *Thrown objects can cause personal injury.*
- **Use extreme caution when reversing or pulling the lawnmower towards you.** *Always be aware of your surroundings. This reduces the risk of tripping during operation.*
- **When working on slopes, always be sure of your footing, always work across the face of slopes, never up or down and exercise extreme caution when changing direction.** *This reduces the risk of loss of control, slipping and falling which may result in personal injury.*
- **Operate the disabling device and/or remove all battery packs, if removable, from the lawnmower before making any adjustments, changing accessories, or storing the lawnmower.** *Such preventive safety measures reduce the risk of starting the lawnmower accidentally.*
- **Keep handles and grasping surfaces dry, clean and free from oil and grease.** *Slippery handles and grasping surfaces do not allow for safe handling and control of the lawnmower in unexpected situations.*
- **Check the grass catcher frequently for wear or deterioration.** *A worn or damaged grass catcher may increase the risk of personal injury.*
- **Before removing the grass catcher, turn off the motor and wait until the blade(s) comes to a complete stop.** *The cutting blade(s) continues to rotate after the blade control is released. Never place any part of the body in the blade(s) area until you are certain the motor is off and the blade(s) has stopped rotating. Contact with the moving cutting blade(s) may result in serious personal injury.*
- **Before unclogging the chute, turn off the motor, wait until the blade(s) comes to a complete stop, operate the disabling device and/or remove all batteries, if removable.** *The cutting blade(s) continues to rotate after the blade control is released. Never place any part of the body in the blade(s) area until you are certain the motor is off and the blade(s) has stopped rotating. Contact with the moving cutting blade(s) may result in serious personal injury.*

- **Before cleaning or inspecting the lawnmower, turn off the motor, wait until the blade(s) comes to a complete stop, operate the disabling device and/or remove all batteries, if removable.** *Accidental contact with the moving blade and moving parts may result in personal injury.*
- **Maintain the lawnmower and accessories.** *Check for misalignment or binding of moving parts, breakage of parts and any other condition that may affect the lawnmower's operation. If damaged, have the lawnmower repaired before use. Many accidents are caused by poorly maintained lawnmowers.*
- **Store idle lawnmowers out of the reach of children and do not allow persons unfamiliar with the lawnmower or these instructions to operate the lawnmower.** *Lawnmowers are dangerous in the hands of untrained users.*

Battery lawnmower use and care

- **Use only with ECHO eFORCE® 56V battery series.** *Use of any other battery packs may create a risk of injury and fire.*
- **Recharge only with ECHO eFORCE® 56V battery series chargers.** *A charger that is suitable for one type of battery pack(s) may create a risk of fire when used with another battery pack(s).*
- **Follow all charging instructions and do not charge the battery pack(s) or lawnmower outside the temperature range specified in the instructions.** *Charging improperly or at temperatures outside the specified range may damage the battery and increase the risk of fire.*
- **Do not use a battery pack or lawnmower that is damaged or modified.** *Damaged or modified batteries may exhibit unpredictable behavior resulting in fire, explosion or risk of injury.*
- **Do not expose a battery pack(s) or lawnmower to fire or excessive temperature.** *Exposure to fire or temperature above 265°F(130°C) may cause explosion.*
- **Under abusive conditions, liquid may be ejected from the battery(ies); avoid contact.** *If contact accidentally occurs, flush with water. If liquid contacts eyes, additionally seek medical help. Liquid ejected from the battery(ies) may cause irritation or burns.*
- **When battery packs are not in use, keep them away from other metal objects, like paper clips, coins, keys, nails, screws or other small metal objects that can make a connection from one terminal to another.** *Shorting the battery terminals together may cause burns or a fire.*

Service

- **Have your lawnmower serviced by a qualified repair person using only identical replacement parts.** *This will ensure that the safety of the lawnmower is maintained. Use of parts which do not meet the original equipment specifications may lead to improper performance and compromise safety.*

- **Never service damaged battery packs.** *Service of battery packs should only be performed by the manufacturer or authorized service providers.*

The recommended ambient temperature range:

	Charging		Usage/Discharging		Storage	
	Low	High	Low	High	Low	High
Product ⁽¹⁾	Not Applicable		32°F(0°C)	113°F(45°C)	32°F(0°C)	113°F(45°C)
Battery ⁽²⁾⁽³⁾	39°F(4°C)	104°F(40°C)	32°F(0°C)	113°F(45°C)	32°F(0°C)	113°F(45°C)
Charger	39°F(4°C)	104°F(40°C)	Not Applicable		32°F(0°C)	113°F(45°C)

⁽¹⁾ Assumes the battery is just off the charger or stored at the temperature range noted for Charger Usage 39° F (4°C) - 104°F (40°C).

⁽²⁾ Hot batteries in high ambient temperatures require longer charge times.

⁽³⁾ To maximize battery life of batteries being stored more than 3 months, ECHO recommends batteries being stored at 3 green lights on the battery capacity indicator (BCI) and at room temperature.

NOTE: Long term storage of batteries in conditions or charge levels on the battery capacity indicator (BCI) other than noted above could degrade the performance and runtime of the battery.

FCC Statement

This device complies with Part 15 of the FCC Rules. Operation is subject to the following two conditions:

- This device may not cause harmful interference.
- This device must accept any interference received, including interference that may cause undesired operation.

CAUTION

Changes or modifications not expressly approved by the party responsible for compliance could void the user's authority to operate the equipment.

NOTICE

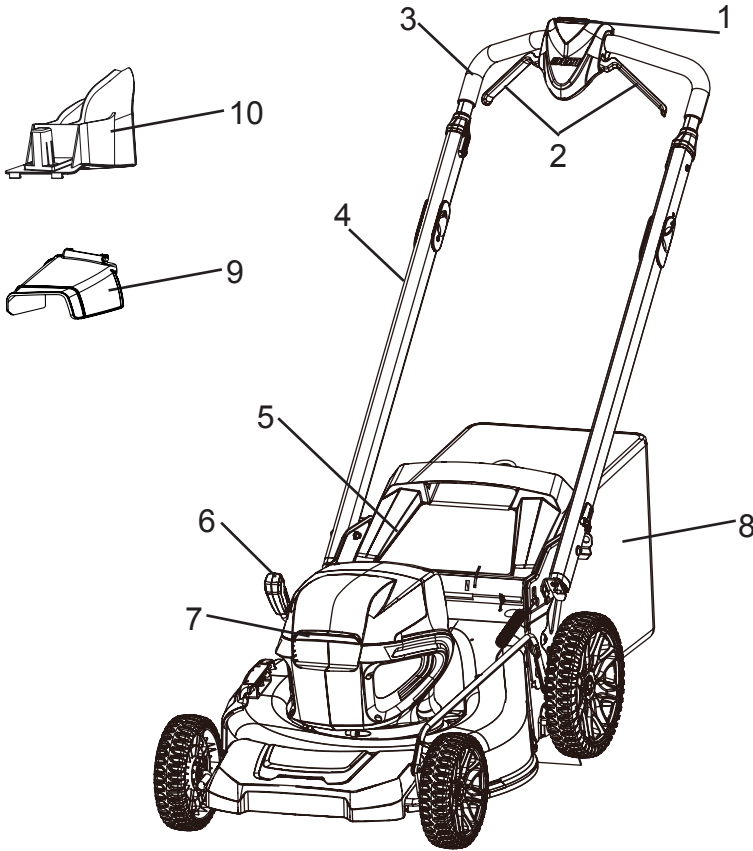
This equipment has been tested and found to comply with the limits for a Class B digital device, pursuant to Part 15 of the FCC Rules.

These limits are designed to provide reasonable protection against harmful interference in a residential installation. This equipment generates, uses and can radiate radio frequency energy, and if not installed and used in accordance with the instructions, may cause harmful interference to radio or television reception. The reception can be determined by turning the equipment off and on. The user is encouraged to try to correct the interference by one or more of the following measures:

- *Reorient or relocate the receiving antenna.*
- *Increase the separation between the equipment and the receiver.*
- *Connect the equipment into an outlet on a circuit different from that to which the receiver is connected.*
- *Consult the dealer or an experienced radio/TV technician for help.*

DESCRIPTION

Locate the safety label(s) on your unit. Make sure the label(s) is legible and that you understand and follow the instructions on it. If a label cannot be read, a new one can be ordered from your ECHO dealer. Safety label is for example only. Your label may appear slightly different.



1. Start button
2. Start handle
3. Upper handle
4. Lower handle
5. Rear discharge door
6. Height adjustment lever
7. Battery door
8. Grass catcher
9. Side discharge chute (sold separately)
10. Mulch plug

CONTENTS

The ECHO product you purchased has been factory pre-assembled for your convenience. Due to packaging restrictions, some assembly may be necessary.

After opening the carton, check for damage. Immediately notify your retailer or ECHO Dealer of damaged or missing parts. Use the contents list to check for missing parts.

- 1 Mower
- 1 Operator's manual
- 1 Grass catcher
- 1 Mulch plug

NOTICE

For a complete list of compatible batteries for this and all eFORCE® tools, scan this code or visit <https://www.echo-usa.com/battery-information>

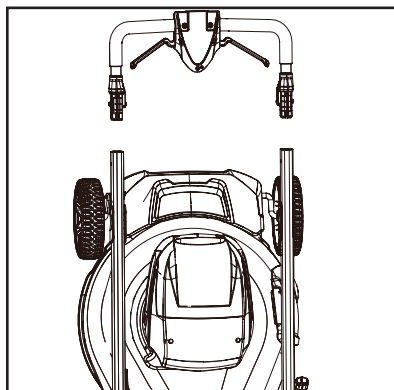


NOTICE

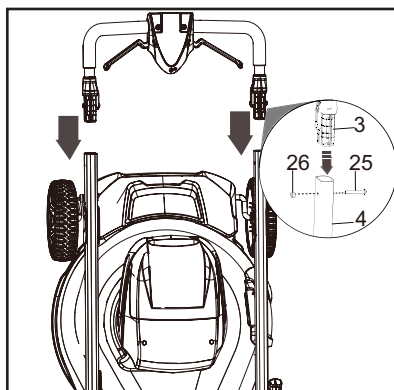
Do not damage the cable while installing the upper handle.

Install the Upper Handle

1. Place the mower upright in vertical position.
2. Remove the packing material from the cable.
3. Remove the rubber edge guard from the upper handle.



4. Insert the upper handle (3) into the lower handle (4).
5. Put the bolts (25) through the holes and tighten with the nuts (26).

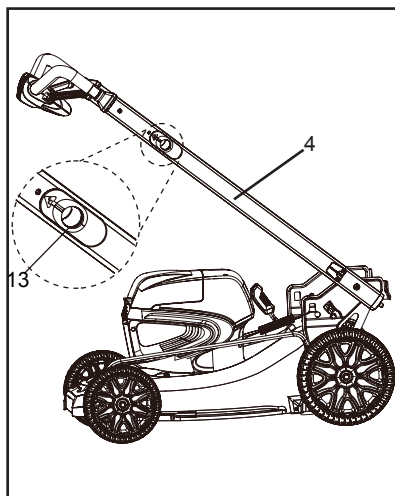


NOTICE

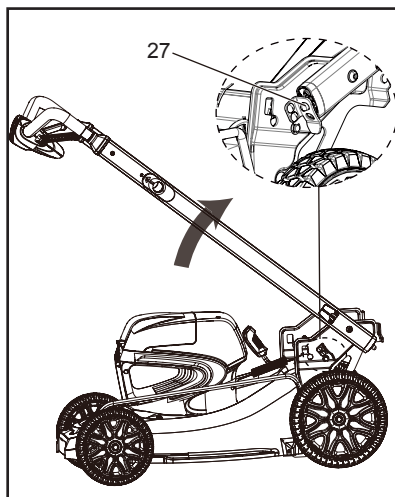
Make sure that the two handle pins are in the same position.

Unfold the Lower Handle

1. Pull up on the handle holes (13) to release the lower handles (4).



2. Fold the lower handle up until the handle pins (27) lock into position.



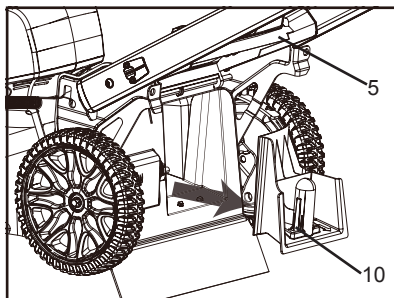
Mower Functions

In general, a lawn mower is featured with three functions (rear bagging/ mulching/ side discharging). These functions can be converted by changing accessories. Please see the following table for detail setting.

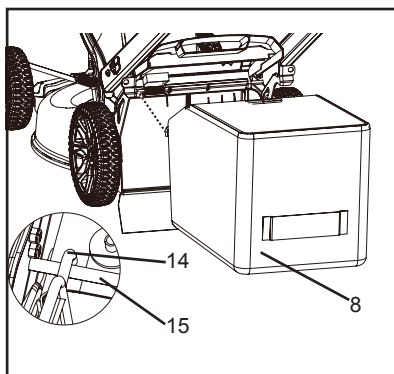
To Convert Mower	Mulch Plug	Grass Bag	Side Discharge Chute (sold separately)
For rear bagging	×	√	×
For mulching	√	×	×
For side discharging	√	×	√

Install the Grass Catcher

1. Remove the battery and safety key.
2. Remove the mulch plug.
3. Remove the side discharge chute.
4. Open the rear discharge door and hold it.

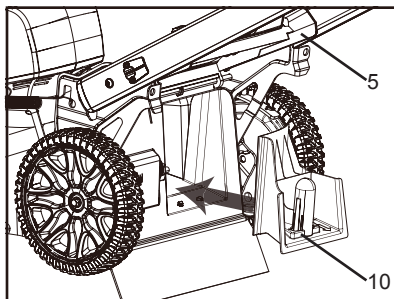


5. Hold the the grass catcher (8) by its handle and engage the hooks (14) on the door rod (15).
6. Close the rear discharge door.



Install the Mulch Plug

1. Remove the battery and safety key.
2. Remove the grass catcher.
3. Open the rear discharge door (5) and hold it.
4. Hold the mulch plug (10) by its handle and fit it in the discharge chute.
5. Close the rear discharge door.



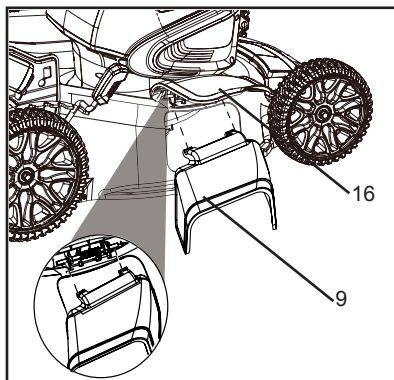
Install the Side Discharge Chute (sold separately)

WARNING

When you use the side discharge chute,

- ***Do not install the grass catcher.***
- ***Keep the mulch plug installed.***

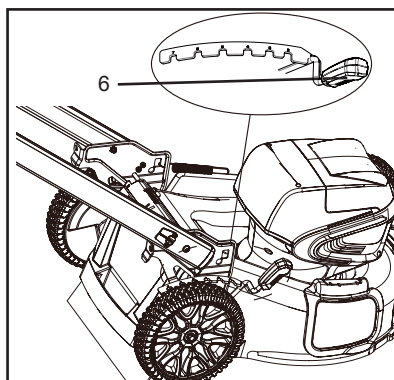
1. Remove the battery and safety key.
2. Open the side discharge door (16) and hold it.
3. Line up the recesses of the side discharge chute (9) below the pivot.
4. Close the side discharge door.



Set the Cutting Height

The machine can be set to different cutting heights.

1. Pull the height adjustment lever (6) rearward to increase the cutting height.
2. Position the height adjustment lever farther forward to decrease cutting height. Position it farther backward to increase cutting height.



Installing and Removing the Battery

NOTICE

The machine has an automatic switch function that lets the other battery work when the first cannot operate.

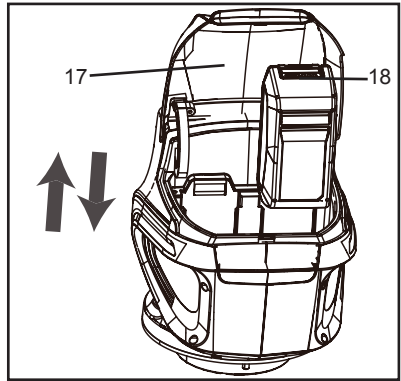
The battery comes partially charged from the factory and needs to be fully charged before first use.

Note: See separate Operator's Manual Packaged with the Battery.

Installing the Battery

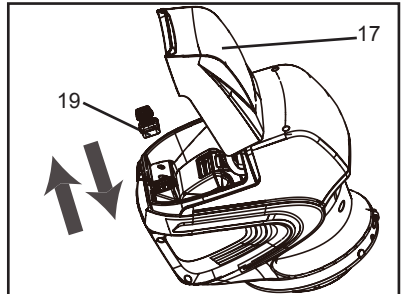
1. Lift and hold up the battery door (17).
2. Align the battery with the mower's battery port.
3. Make sure the battery release button (18) snaps in place and that battery is fully seated and secure in the mower before beginning operation.
4. Insert the safety key (19).
5. Close the battery door.

Note: The machine has an automatic switch function that lets the other battery work when the first cannot operate. Extra batteries can be purchased from dealer.



Removing the Battery

1. Stop the machine.
2. Open the battery door (17).
3. Remove the safety key (19).
4. Press the battery release button (18) on the mower. This will cause the battery to raise out of the tool slightly.
5. Remove battery from the product.



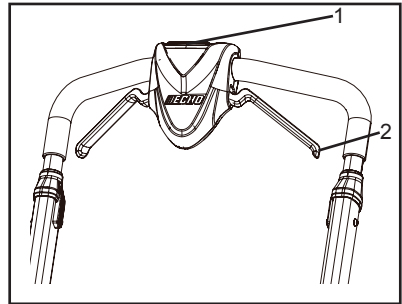
Starting the unit

WARNING

When starting the unit, observe the precautions described in the "Safety" section. Failure to observe the precautions could cause an accident or injury, or even lead to a fatality.

Wait until the blade fully stops before you start the machine again. Do not quickly turn the machine off and on.

1. Make sure safety key is inserted into slot.
2. Push and hold the start button (1).
3. While you hold the start button (1), pull the start handle (2) in the direction of the handle bar.
4. Once the machine has started, release the start button.



Stopping the unit

1. Release the start handle to stop the machine.

Note: Always remove the safety key and battery after you complete the work.

Operate on Slopes

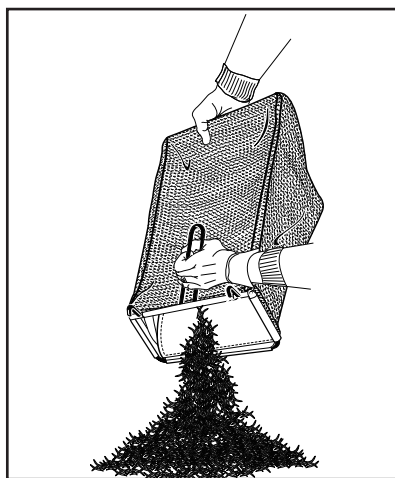
WARNING

Do not mow on slopes with incline more than 15 degrees. If you are not comfortable, do not mow on a slope.

- Do not go up and down on a slope, mow across the face of the slope. Be careful when you change direction on a slope.
- Monitor the holes, ruts, rocks, and other hidden objects that can cause you to fall. Remove all obstacles such as rocks and tree limbs.
- Make sure that your footing is stable. If you are out of balance, release the start handle immediately.
- Do not mow near drop-offs, ditches, or embankments.

Empty the Grass Catcher

1. Stop the machine.
2. Remove the safety key.
3. Remove the battery.
4. Open the rear discharge door and hold it.
5. Hold the grass catcher by its handle and unhook it from the door rod.
6. Close the rear discharge door.
7. Empty the grass catcher.



Operation Tips

- Do not try to override the operation of the start button or start handles.
- Do not tilt the machine when you start it.
- Do not put hands or feet near or below the turning parts.
- Keep the discharge chute clean.
- Cutting wet grass will require more power, shorten run time and cut grass poorly.
- Higher blade height is necessary for new or thick grass.
- Clean the bottom of the mower deck after each use. Remove grass clippings, leaves, dirt, and other debris.
- Mulching requires a higher mower deck setting than bagging or side discharge. Adjust wheel height to remove roughly one-third off top of grass.

MAINTENANCE

 **WARNING**

Moving parts can amputate fingers or cause severe injuries. Keep hands, clothing and loose objects away from all openings. Always stop motor, and make sure all moving parts have come to a complete stop before removing obstructions, clearing debris, or servicing unit. Allow unit to cool before performing service. Wear gloves to protect hands from sharp edges and hot surfaces.

 **WARNING**

Operating a poorly maintained unit can result in serious injuries to operator or bystanders. Always follow all maintenance instructions as written, otherwise serious personal injury can result.

Your unit is designed to provide many hours of trouble free service. Regular scheduled maintenance will help your unit achieve that goal. If you are unsure or are not equipped with the necessary tools, we recommend that you take your unit to a Servicing Dealer for maintenance. To help you decide whether you want to DO-IT-YOURSELF or have the Dealer do it, each maintenance task has been graded. If the task is not listed, see your Dealer for repairs.

Skill Levels

Level 1 = Easy to do. Common tools may be required.

Level 2 = Moderate difficulty. Some specialized tools may be required.

Level 3 = See your dealer.

Maintenance Intervals

COMPONENT / SYSTEM	MAINTENANCE PROCEDURE	REQ'D SKILL LEVEL
Daily or Before Use		
Blade	Inspect / Sharpen / Replace *	2
Screws / Nuts / Bolts	Inspect / Tighten / Replace *	1
Battery	Clean battery compartment	1
Mower	Clean mower deck	1

NOTICE - Time intervals shown are maximum. Actual use and your experience will determine the frequency of required maintenance.

MAINTENANCE PROCEDURE NOTES:

* Replacement is recommended based on the finding of damage or wear during inspection.

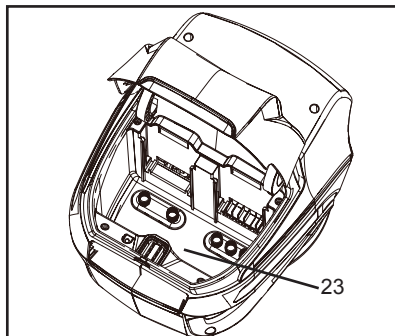
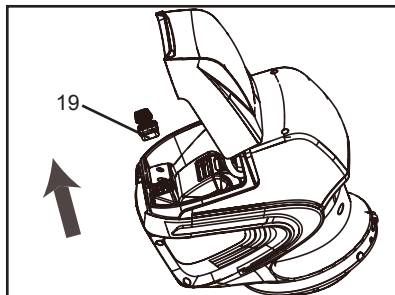
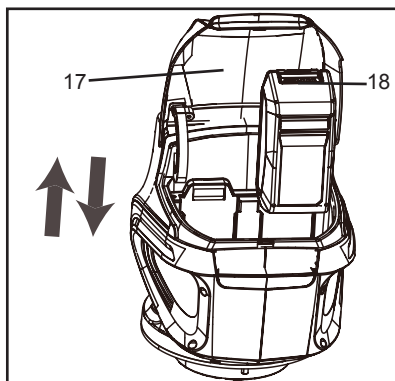
Cleaning Battery and Battery Compartment

WARNING

Risk of electric shock or fire. Do not use conducting materials to clean battery or battery compartment.

Remove the safety key and battery from the machine before maintenance.

1. Open the battery door (17).
2. Remove the safety key (19).
3. Depress battery release button (18) and slide battery out of battery compartment.
4. Use compressed air or a soft bristle brush to remove debris from battery and battery compartment (23).



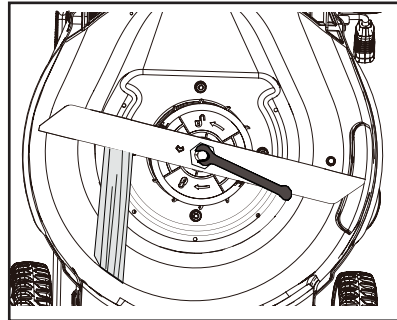
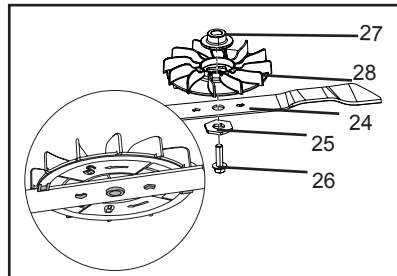
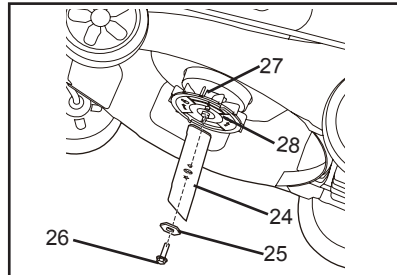
Replace The Blade

WARNING

Use only approved replacement blades.

Wear heavy gloves or wind cloth around the blade when you touch the blade.

1. Stop the machine.
2. Make sure that the blade fully stops.
3. Remove the safety key and batteries.
4. Turn the machine to its side.
5. Use a piece of wood or special lawnmower blade holding tool to prevent the movement of the blade.
6. Remove the mounting bolt (26) and spacer (25) with a wrench or socket.
7. Carefully detach the blade (24), fan (28) and base (27).
8. Inspect the fan, blade bolt, and base for any damage.
9. Install the new blades following the specified sequence: base, fan, blade, spacer, and mounting bolt. Make sure the arrows on the fan engage the holes on the blade.
10. Securely tighten the blade bolt. Recommended tightening torque: 33-37 Nm.



NOTICE

Apply Loctite # 242 or equivalent to bolt threads each time blade is removed and reinstalled.

TROUBLESHOOTING

Problem	Cause	Solution
The lawn mower does not start.	The battery is not charged.	Charge the battery.
	The switch is defective.	Replace the switch (Contact an authorized dealer).
	Grass jammed between the deck and blade.	Remove battery and safety key; check under deck for jams.
	The battery is not fully inserted in the lawn mower.	Check the connection between the battery and the lawn mower. Make sure the battery clicks into place.
	Battery may require replacement.	Contact your dealer or replace battery.
The lawn mower cuts the grass unevenly.	The lawn is rough or uneven.	Check the mowing area.
	The cutting height is not set properly.	Move the wheels to a higher setting.
	The blade is dull.	Sharpen or replace the blade.
The lawn mower does not mulch properly.	Wet grass clippings are sticking to the underside of the deck.	Remove the battery and clean the unit. Wait until the grass dries before mowing.
	The mulching plug is missing.	Install the mulching plug.
	Leaving clumps of grass during mulching.	Raise mower deck so one-third of grass is cut.

Problem	Cause	Solution
The lawn mower is hard to push.	The grass is too tall, or the cutting height is too low.	Raise the cutting height.
	The rear of the grass catcher bag is dragging in thick grass.	Empty the grass clippings from the grass catcher bag.
The lawn mower is excessively noisy and vibrates.	The motor shaft is bent.	Stop the motor, and inspect for damage. Contact your dealer for repair.
	The blade is unbalanced.	Repair before restarting. If vibration persists, contact your dealer.

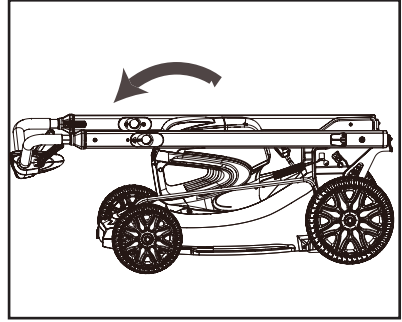
Number of Beeps	Symptom	Remedy
1	Mower will not start.	Consult authorized dealer.
2	Mower stops running.	Allow mower to cool. If problem persists, consult authorized dealer.
3	Mower will not start.	Check battery and terminals for corrosion or debris. If problem persists, consult authorized dealer.
4	Mower will start then stop, or will not start.	Start mower, at first not making a full cut, then proceed to cut normally. If problem persists, consult authorized dealer.
5	Mower will not start.	Fully charge battery and try again. If problem persists, consult authorized dealer.
6	Mower stops running.	Allow battery to cool. If problem persists, consult authorized dealer.
7	Mower will start then stop, or will not start.	Move mower to level ground and try again. If problem persists, consult authorized dealer.
8	Blade will not turn.	Remove batteries and safety key, remove obstruction, try again.
9	Motor will not reach full speed.	Start mower, at first not making a full cut, then proceed to cut normally. If problem persists, consult authorized dealer.

STORAGE

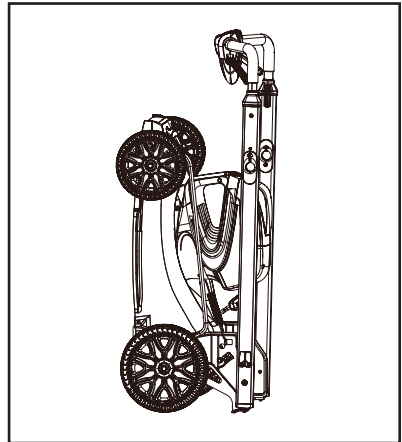
Vertical Storage

Do not store your unit without performing protective storage maintenance which includes the following:

1. Remove batteries and safety key.
2. Remove the grass catcher.
3. Pull through the handle holes to fold away the handles.



4. Lock the handles into position.
5. Stand the machine on end and make sure that the brackets touch the floor.



Storage After Use

When storing the product for long periods of time, ensure that the following preparations for storage are carried out.

Mower

Do not store your unit without performing protective storage maintenance which includes the following:

1. Turn power to unit off.
2. Remove battery from mower.
3. Remove accumulation of dirt and debris from exterior of unit and bottom of deck.
4. Tighten all screws and nuts.
5. Close the battery door.
6. Store unit in a dry, dust-free place, out of the reach of children.

Battery

1. Remove battery or batteries from mower.
2. Store in a dry, dust-free place, out of the reach of children.
3. Store in temperatures between 32°F (0°C) and 113°F (45°C).
4. If battery is stored for longer than six months, charge it to 100% capacity.

Charger

1. Remove battery or batteries from charger.
2. Disconnect charger from power supply.
3. Store in a dry, dust-free place, out of the reach of children.

SPECIFICATIONS

MODEL	DLM-2100
No-load speed	2800 RPM
Height adjustments	1 3/8-4" (3.5 - 10 cm)
Functions	3-in-1 Mulch & Rear Bag & Side discharge
Weight	60.63 lbs (27.5kg)
Battery: Model Type Voltage Charger type Charger input voltage	ECHO eFORCE® 56V battery series batteries Li-Ion 56 (rated 50.4) CCCV 120V AC 60Hz
Charger model	ECHO eFORCE® 56V battery series charger
Charger Lights ○ OFF ● Green blinking ○ OFF ● Green ● Red ○ OFF ● Red blinking ○ OFF	Battery is charging Fully charged Battery is too warm: (Remove for approx.30 minutes to allow to cool) Defective battery: (Remove and replace with new battery if this occurs)
Charge Time	See Battery Operator's Manual

PRODUCT REGISTRATION

Thank you for choosing ECHO Power Equipment

Please go to <http://www.echo-usa.com/Warranty/Register-Your-ECHO> to register your new product online. It's FAST and EASY! NOTE: your information will never be sold or misused by ECHO, Incorporated.

Registering your purchase enables us to contact you in the unlikely event of a service update or product recall, and verifies your ownership for warranty consideration.

If you do not have access to the Internet, you can complete the form below and mail to:

***ECHO Incorporated, Product Registration, PO Box 1139,
Lake Zurich, IL 60047.***



PRODUCT REGISTRATION CARD : TARJETA DE REGISTRO : CARTE D'ENREGISTREMENT DU PRODUIT

ONLINE OPTION: Register online and save a stamp! You will be alerted of product updates and/or be sent new ECHO product information and special offers. Simply go to: www.echo-usa.com

OPCIÓN POR INTERNET: Regístrese en la página web y ahorre una estampilla! Le alertarán sobre actualizaciones de productos ECHO y las ofertas especiales. Simplemente visite: www.echo-usa.com

OPTION EN LIGNE: Enregistrer en ligne et épargner un timbre! Vous serez informé sur les nouveaux produits ECHO et les mises à jour de produit ainsi que les offres spéciales. Simplemente visitez le: www.echo-usa.com

Please Print : Por Favor Escriba Con Letra De Molde : En Lettre Carré S.V.P.

Confidential: Information provided will not be shared or sold

<i>Purchaser's Name : Nombre del Comprador : Nom de l'acheteur</i>	
<i>Address : Dirección : Adresse</i>	
<i>City : Ciudad : Ville</i>	<i>State : Estado : Province</i>
<i>Zip Code : Código Postal : Code Postal</i>	<i>Code Postal</i>
<i>E-Mail Address : Dirección De Correo Electrónico : Courrier Électronique</i>	
<i>Phone Number : Número De Teléfono : Téléphone</i>	<i>Date of Purchase : Fecha de la Compra : Date de l'achat</i>
<i>Where Purchased : Nombre del Almacén donde fue Comprado : Lieu d'achat</i>	

Primary use of tool: Professional Homeowner Rental Equip.
 Uso primario de la herramienta: Profesional Dueño de casa Alquiler
 Usage principal: Professionnel Résidentiel Location
 Do you wish to receive periodic ECHO product information and special offers by e-mail? Yes No
 ¿Desea usted recibir información periódica y ofertas especiales por correo electrónico sobre el producto ECHO? Sí No
 Souhaitez-vous recevoir périodiquement de l'information sur les produits ECHO et les offres spéciales par courrier électronique ? Oui Non

Did you visit the ECHO website before purchasing your product?
 Yes No
 Visito usted la página web ECHO antes de comprar su producto?
 Sí No

Avez-vous visité le site d'ECHO avant de procurer votre produit?
 Oui Non

What factor(s) most influenced your purchase?

- Performance
- Reliability
- Friend/Family
- Funcionamiento
- Confiabilidad
- Amigo/Familia
- Price
- Prior Experience
- Brand
- Precio
- Experiencia Anterior
- Warranty
- Distribuidor
- Calidad
- Garantía

¿Qué factor(es) influyó más en su compra?

- Performance
- Fiabilidad
- Ami/Famille
- Prix
- Expérience
- Marque
- Marchand
- Qualité
- Garantie

Model Number : Numero del Modelo : No. de modèle Serial Number : Numero de Serie : No. de série

Registering your purchase enables us to contact you in the unlikely event of a service update or product recall and verifies your ownership in the event of loss. El registrar su compra nos permite estar en contacto con usted en caso de cualquier evento. Como el registro de su compra nos ayuda a verificar su propiedad y a contactarlo en caso de actualización de servicio o instrucciones de retiro de producto. Como el registro de su compra nos ayuda a verificar que usted es el propietario en caso de un reclamo de garantía, le recomendamos que registre su compra en el momento de la compra. Registering your purchase enables us to contact you in the unlikely event of a service update or product recall and verifies your ownership in the event of loss. El registrar su compra nos permite estar en contacto con usted en caso de cualquier evento. Como el registro de su compra nos ayuda a verificar su propiedad y a contactarlo en caso de actualización de servicio o instrucciones de retiro de producto. Como el registro de su compra nos ayuda a verificar que usted es el propietario en caso de un reclamo de garantía, le recomendamos que registre su compra en el momento de la compra.

ECHO INC., 400 Oakwood Rd., Lake Zurich, IL 60047

1.800.432.ECHO WWW.ECHO-USA.COM

X7572270206 02-2012



**Limited Warranty Statement for ECHO 56 Volt
Handheld Products and Walk Behind Mowers sold
in USA and Canada**

ECHO Incorporated warrants to the original retail purchaser that this ECHO brand 56 Volt outdoor product is free from defects in material and workmanship and agrees to repair or replace, at ECHO Incorporated's discretion, any defective product free of charge within these time periods from the date of purchase:

- If the product is for homeowner use:
 - Units and Bare Tool – 5 Years
 - Battery or charger – 2 years
- If the product is for commercial use:
 - Units and Bare Tool – 2 years
 - Battery or charger – 2 year
- If the product is for rental use: 90 days for all units, batteries, and chargers.
- Cutting attachments such as, but not limited to, bars, chains, sprockets, blades, tines, belts, PowerBroom™ and nylon trimmer heads for homeowner or non-income producing use will be covered for failures due to defects in material or workmanship for a period of 60 days from original product purchase date and 30 days for commercial / rental use. Any misuse from contact with concrete, rocks, or other structures is not covered by this warranty.

This warranty extends to the original retail purchaser only and commences on the date of the original retail purchase.

Any part of this product found in the reasonable judgment of ECHO Incorporated, to be defective in material or workmanship will be repaired or replaced without charge for parts and labor by an authorized ECHO dealer. Units, repair parts and accessories replaced under this warranty are warranted only for the balance of the original warranty period.

The product, including any defective part, must be returned to an authorized ECHO dealer within the warranty period. The expense of delivering the product to the service center for warranty work and the expense of returning it back to the owner after repair or replacement will be paid by the owner. ECHO Incorporated's, responsibility in respect to claims is limited to making the required repairs or replacements and no claim of breach of warranty shall be cause for cancellation or rescission of the contract of sale of any ECHO brand 56 Volt outdoor product. Proof of purchase will be required by the dealer to substantiate any warranty claim. All warranty work must be performed by an authorized ECHO dealer.

This warranty does not cover any units, battery or charger that has been subject to misuse, neglect, negligence, or accident, or that has been operated in any way contrary to the operating instructions as specified in the Operator's Manual. This warranty does not cover normal deterioration due to the use or exposure, and any repairs made necessary by normal wear, improper

maintenance, improper lubrication, improper storage, dirt, abrasives, impact, moisture, water, rain, snow, rust, corrosion, varnish, or other similar conditions.

This warranty does not cover damage to chargers or batteries by improper charging voltage and batteries that have been exposed to temperatures beyond those specified in the Operator's Manual, batteries that have not been properly charged or batteries that have reached their useful life.

This warranty does not apply to any damage to the product that is the result of improper maintenance or to any product that has been altered or modified. The warranty does not extend to repairs made necessary by normal wear or by the use of parts or accessories which are either incompatible with the ECHO brand 56 Volt outdoor product or adversely affect its operation, performance, or durability. In addition, this warranty does not cover wear to normal items such as, but not limited to:

Wear items – Bump Knobs, Outer Spools, Cutting Lines, Inner Reels, Felt Washers, Hitch Pins, Mulching Blades, Blower Fans, Blower and Vacuum Tubes, Vacuum Bag and Straps, Guide Bars, Saw Chains, Grass Catch Bag, Hedge Trimmer Blades, and Wheels

ECHO Incorporated, reserves the right to change or improve the design of this product without assuming any obligation to modify any product previously manufactured.

All implied warranties are limited in duration to the stated warranty period. Accordingly, any such implied warranties including merchantability, fitness for a particular purpose, or otherwise, are disclaimed in their entirety after the expiration of the appropriate five-year, two-year, one-year, 90-day, 60-day, or 30-day warranty period. ECHO Incorporated's obligation under this warranty is strictly and exclusively limited to the repair or replacement of defective parts. ECHO Incorporated, does not assume or authorize anyone to assume for them any other obligation. Some states do not allow limitations on how long an implied warranty lasts, so the above limitation may not apply to you. ECHO Incorporated, assumes no responsibility for incidental, consequential, or other damages including, but not limited to, expense of returning the product to an authorized dealer for ECHO brand 56 Volt outdoor products and expense of delivering it back to the owner, mechanic's travel time, telephone charges, rental of a like product during the time warranty service is being performed, travel, loss or damage to personal property, loss of revenue, loss of use of the product, loss of time, or inconvenience. Some states do not allow the exclusion or limitation of incidental or consequential damages, so the above limitation or exclusion may not apply to you.

This warranty gives you specific legal rights, and you may also have other rights which vary from state to state.

This warranty applies to all ECHO brand 56 Volt outdoor products manufactured by or for ECHO Incorporated, and sold in the United States and Canada.

To locate your nearest authorized ECHO dealer, visit www.ECHO-usa.com or dial 1-800-432-ECHO (3246).

NOTES



428LMP000001 - 428LMP9999999

429LMP000001 - 429LMP9999999



ECHO INCORPORATED

400 Oakwood Road

Lake Zurich, IL 60047

www.echo-usa.com