



Accessories for ECHO products can be found at:
*Los accesorios para los productos ECHO se
pueden encontrar en:*
www.echo-usa.com/products/catalogs

PARTS CATALOG

WT-1610SP Wheel Trimmer



160 cc

SERIAL NUMBER
NÚMERO DE SERIE

130WTB000001 - 130WTB999999

ECHO Incorporated

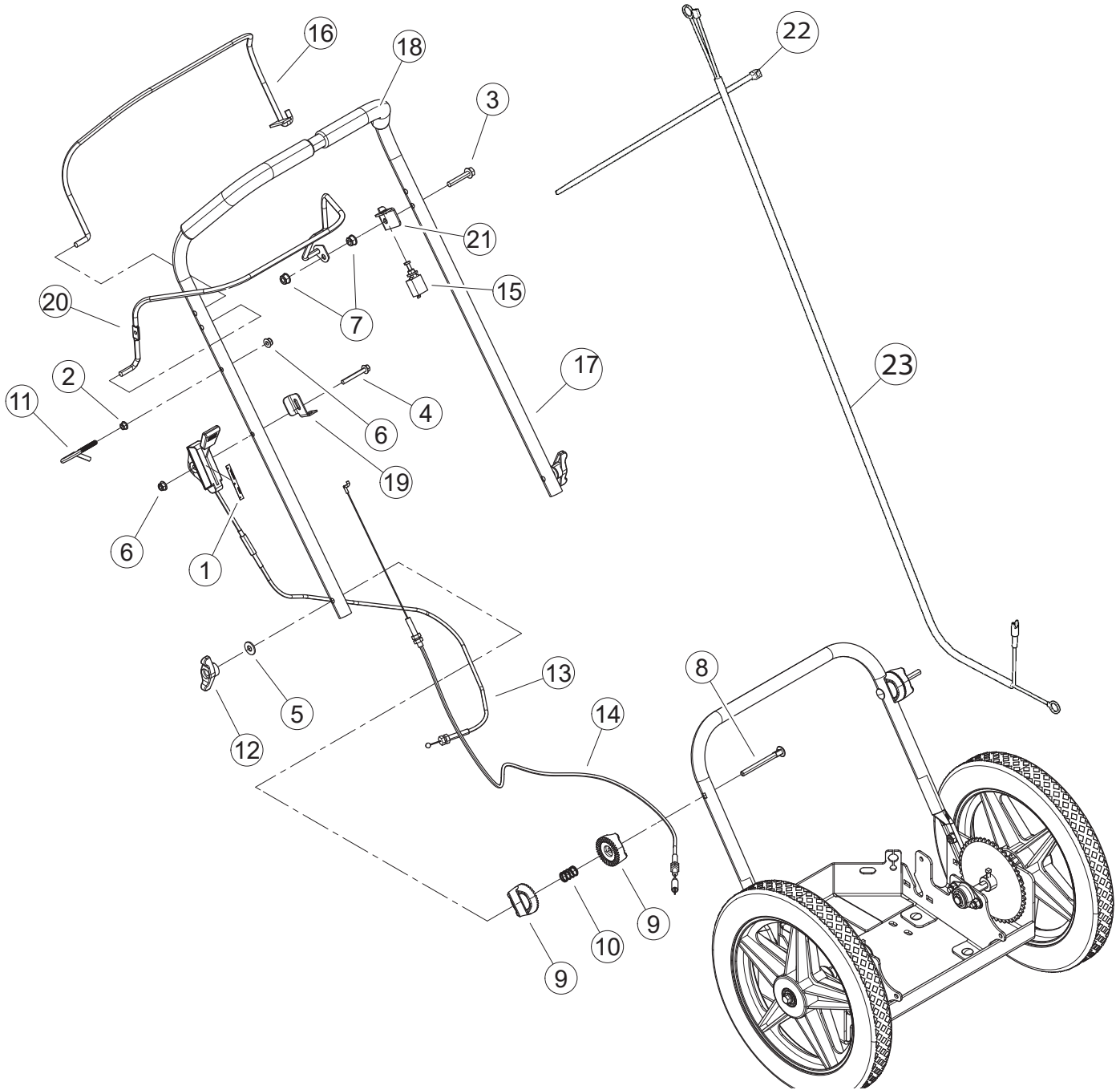
400 Oakwood Road, Lake Zurich, Illinois 60047

WWW.ECHO-USA.COM

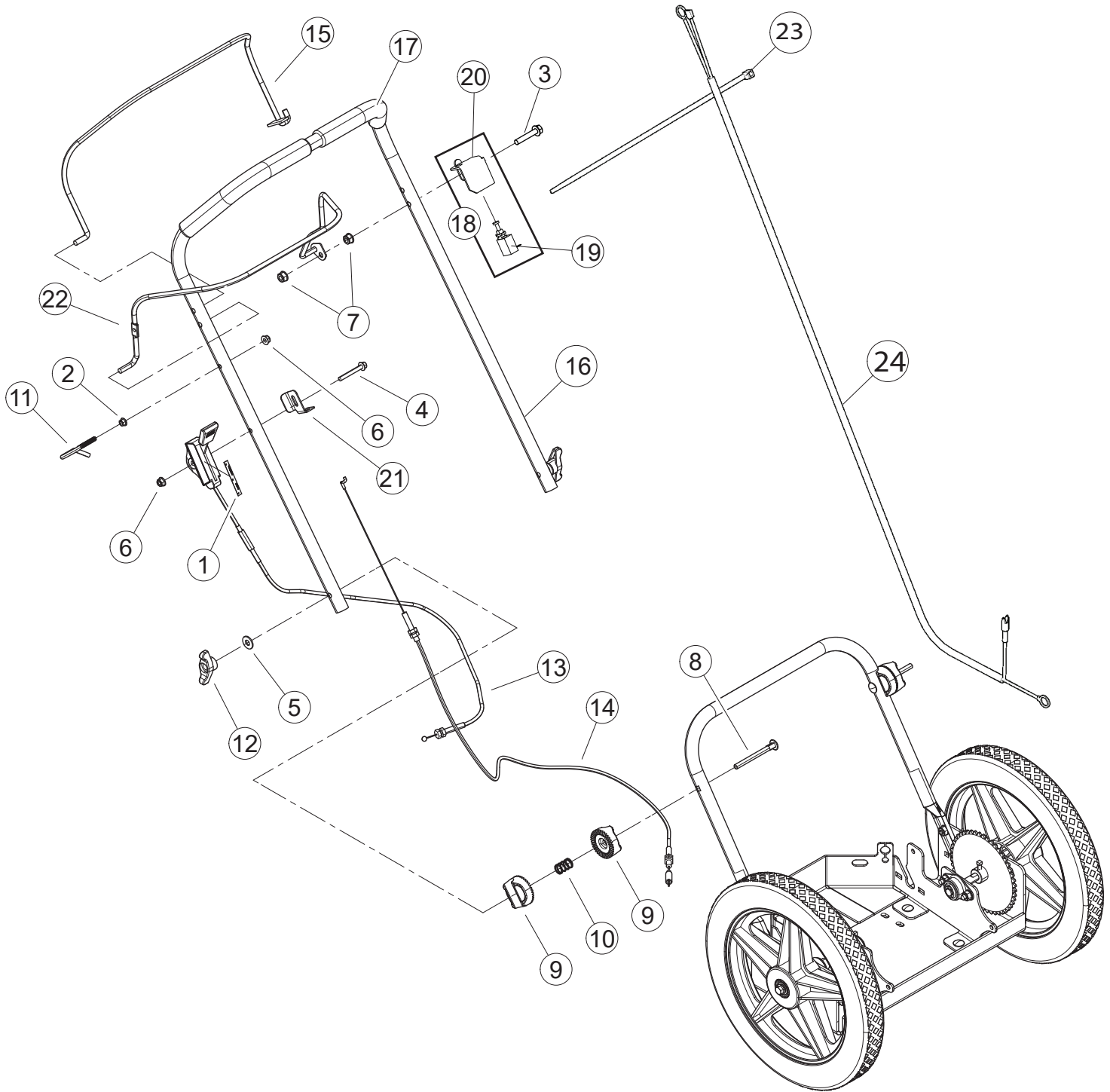
©2022 ECHO Incorporated. All Rights Reserved

P/N 99922205844
REVISED 11/04/2022

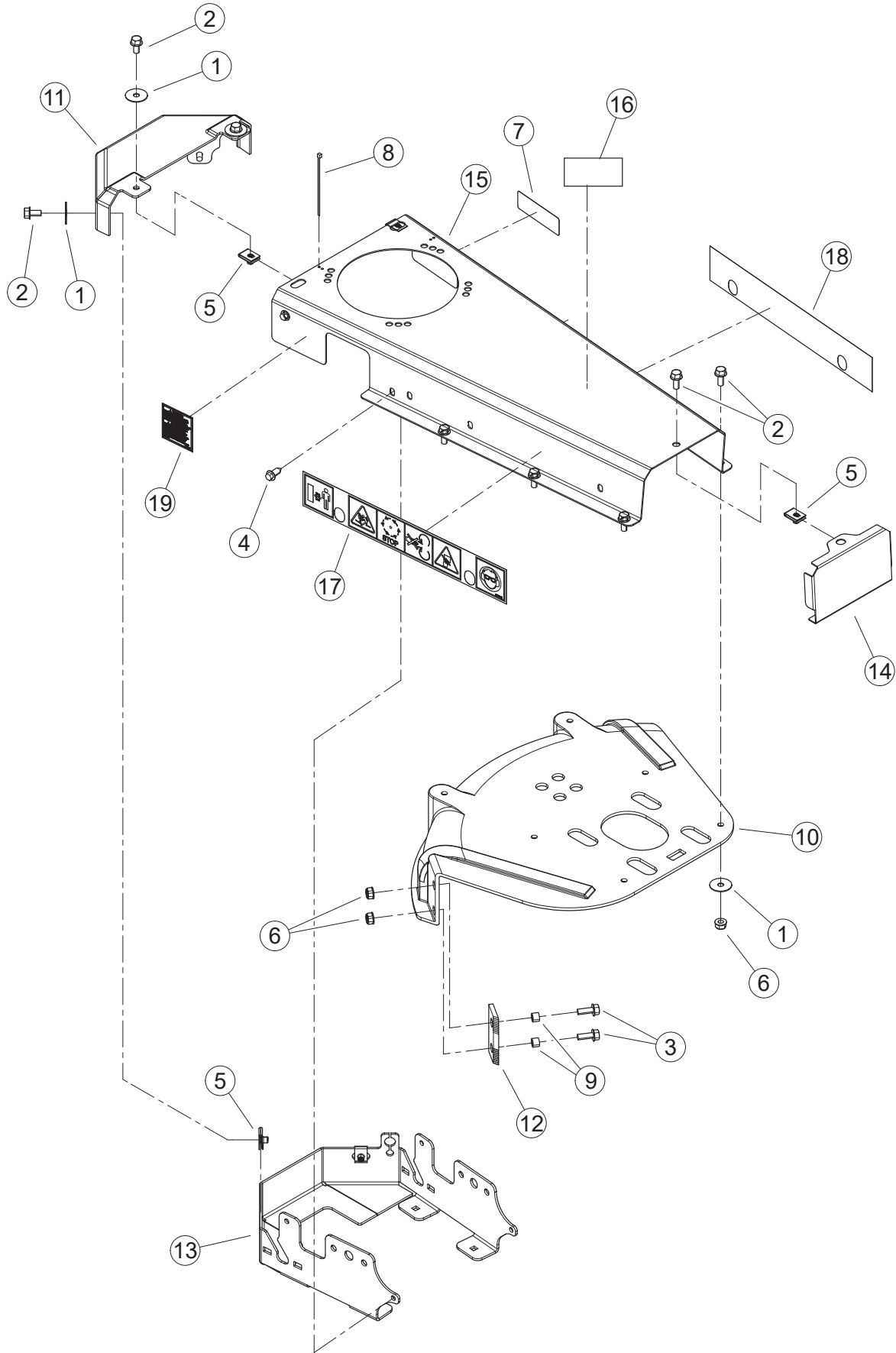
| | |
|---|-----------|
| Handle Bar | 3 |
| Handle Bar | 4 |
| Handle Bar | 5 |
| Handle Bar | 6 |
| Body | 7 |
| Body | 8 |
| Transmission | 9 |
| Transmission | 10 |
| Drive | 11 |
| Drive | 12 |
| Drive | 13 |
| Drive | 14 |
| Optional Accessories and Attachments | 15 |



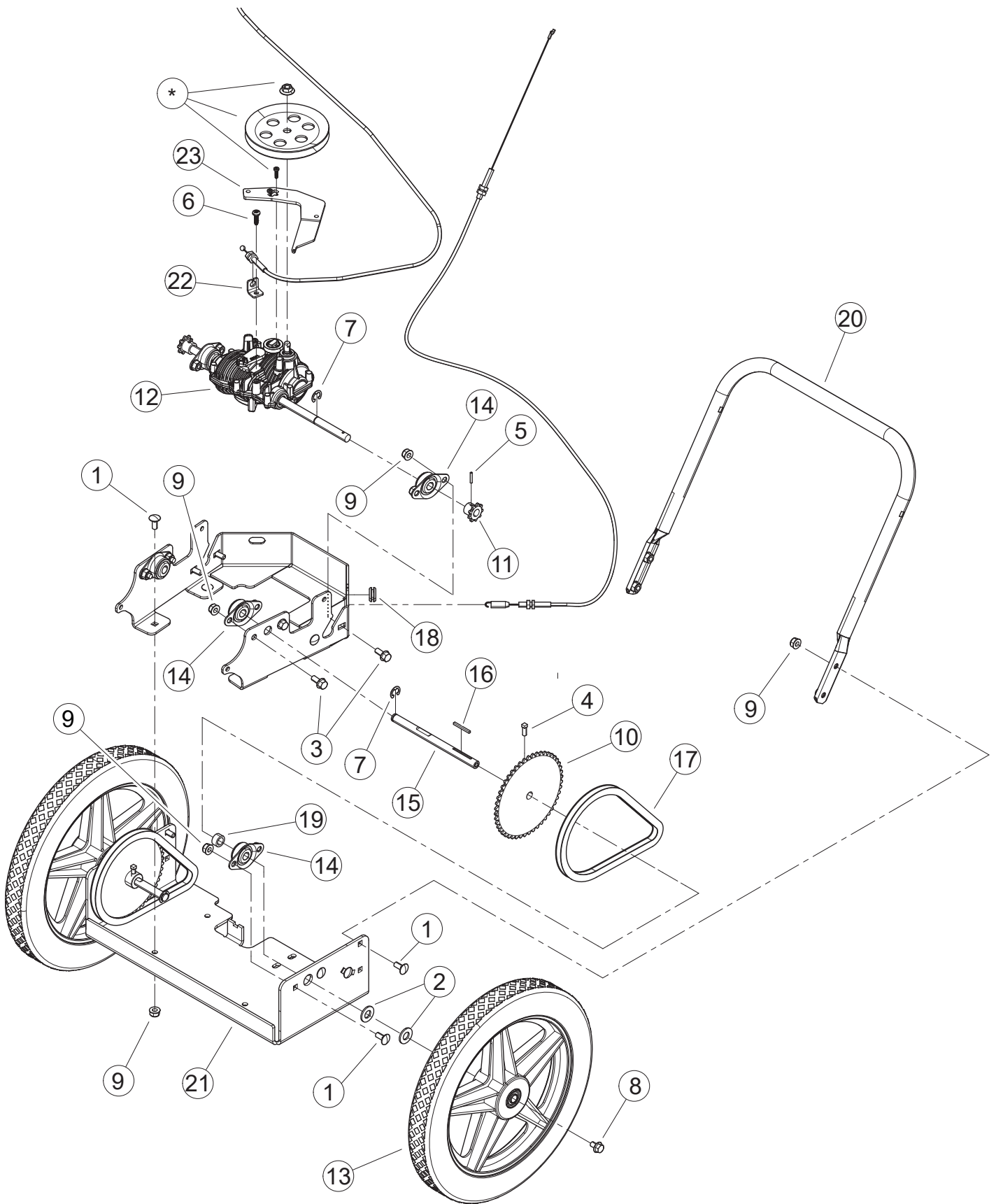
| ITEM | PART NUMBER | QTY | DESCRIPTION |
|------|-------------|-----|--|
| 1 | YH653000200 | 1 | DECAL, 3 SPEED |
| 2 | YH449000010 | 1 | NUT, 1/4"-20 SERRATED FLANGE NC ZP |
| 3 | YH436000070 | 1 | BOLT, 5/16 × 1-3/4 FLANGE NC |
| 4 | YH436000110 | 1 | BOLT, 1/4 × 2 FLANGE NC |
| 5 | YH451000440 | 2 | WASHER, 5/16 FLAT |
| 6 | YH449000030 | 2 | NUT, 1/4-20 NYLOCK-FLANGE |
| 7 | YH449000040 | 2 | NUT, 5/16-18 NYLOCK-FLANGE |
| 8 | YH434000160 | 2 | BOLT, 5/16-18 × 3-1/2 LONG NECK GR5 CRG ZP |
| 9 | YH452000680 | 4 | RETAINER, HANDLEBAR ADJUSTMENT |
| 10 | YH476000180 | 2 | SPRING, RETAINER COMPRESSION |
| 11 | YH470000610 | 1 | GUIDE, RECOIL ROPE |
| 12 | YH452000690 | 2 | KNOB, 5/16-18 FEEM TEE |
| 13 | YH601000120 | 1 | CABLE, 3 SPEED WT |
| 14 | YH601000150 | 1 | CABLE, TRANS ENGAGE WT |
| 15 | YH321000190 | 1 | SWITCH, ENGINE KILL |
| 16 | YH470000730 | 1 | ASSEMBLY, BAIL WT TRIMMERS |
| 17 | YH466000210 | 1 | ASSEMBLY, UPPER HANDLE BAR WITH GRIPS (includes Item 18) |
| 18 | YH466000150 | 2 | +PAD, FOAM HANDLE BAR |
| 19 | YH479001900 | 1 | BRACKET, WT ENGAGE CABLE |
| 20 | YH470000880 | 1 | ASSEMBLY, BAIL WT TRIMMERS |
| 21 | YH479001960 | 1 | BRACKET, WT KILL SWITCH |
| 22 | - | 1 | STRAP, 11 IN BLACK TIE |
| 23 | YH601000160 | 1 | HARNESS, BRIGGS WT KILL SWITCH |



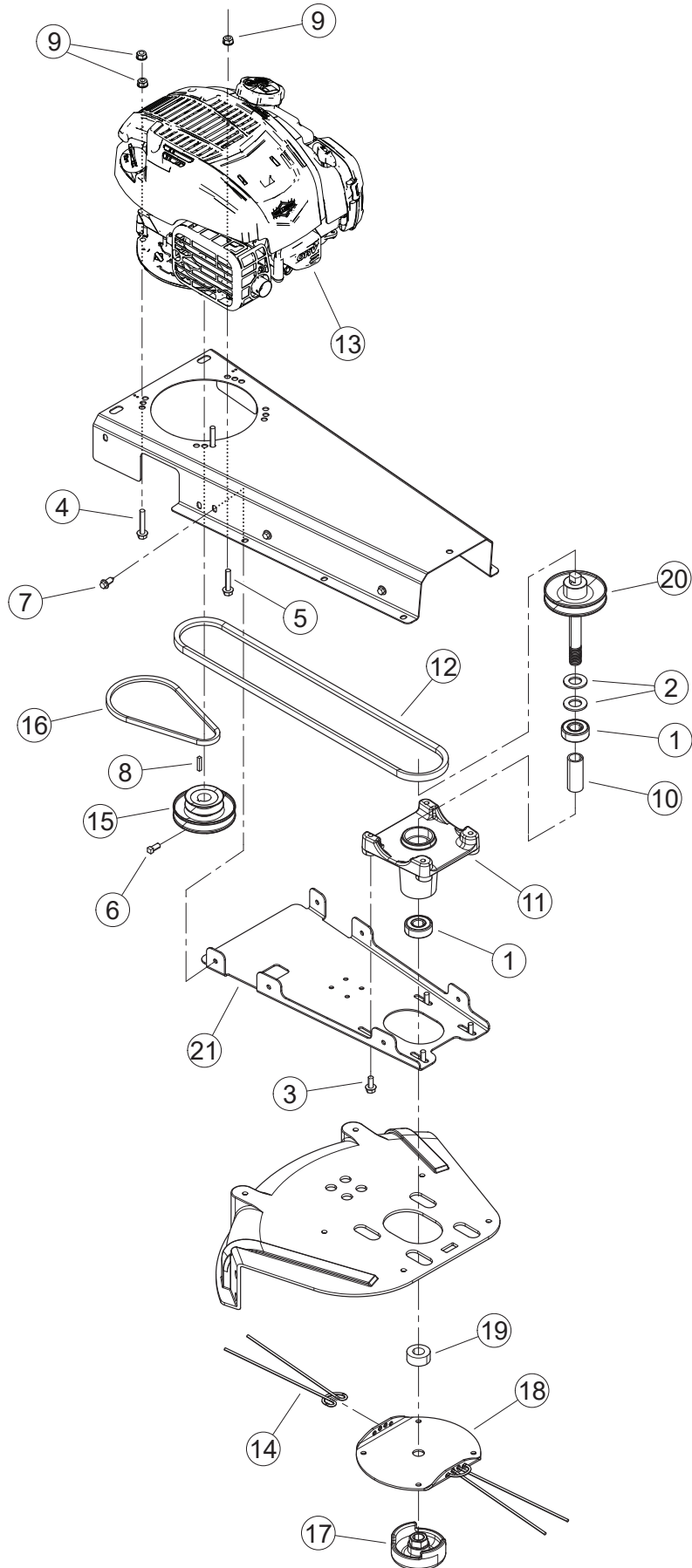
| ITEM | PART NUMBER | QTY | DESCRIPTION |
|------|-------------|-----|--|
| 1 | YH653000200 | 1 | DECAL, 3 SPEED |
| 2 | YH449000010 | 1 | NUT, 1/4"-20 SERRATED FLANGE NC ZP |
| 3 | YH436000070 | 1 | BOLT, 5/16 × 1-3/4 FLANGE NC |
| 4 | YH436000110 | 1 | BOLT, 1/4 × 2 FLANGE NC |
| 5 | YH451000440 | 2 | WASHER, 5/16 FLAT |
| 6 | YH449000030 | 2 | NUT, 1/4-20 NYLOCK-FLANGE |
| 7 | YH449000040 | 2 | NUT, 5/16-18 NYLOCK-FLANGE |
| 8 | YH434000160 | 2 | BOLT, 5/16-18 × 3-1/2 LONG NECK GR5 CRG ZP |
| 9 | YH452000680 | 4 | RETAINER, HANDLEBAR ADJUSTMENT |
| 10 | YH476000180 | 2 | SPRING, RETAINER COMPRESSION |
| 11 | YH470000610 | 1 | GUIDE, RECOIL ROPE |
| 12 | YH452000690 | 2 | KNOB, 5/16-18 FEEM TEE |
| 13 | YH601000120 | 1 | CABLE, 3 SPEED WT |
| 14 | YH601000150 | 1 | CABLE, TRANS ENGAGE WT |
| 15 | YH470000730 | 1 | ASSEMBLY, BAIL WT TRIMMERS |
| 16 | YH466000210 | 1 | ASSEMBLY, UPPER HANDLE BAR WITH GRIPS (includes Item 17) |
| 17 | YH466000150 | 2 | +PAD, FOAM HANDLE BAR |
| 18 | YH321000360 | 1 | BRACKET AND KILL SWITCH KIT |
| 19 | - | 1 | +SWITCH, ENGINE KILL |
| 20 | - | 1 | +BRACKET, WT KILL SWITCH |
| 21 | YH479001900 | 1 | BRACKET, WT ENGAGE CABLE |
| 22 | YH470000880 | 1 | ASSEMBLY, BAIL WT TRIMMERS |
| 23 | - | 1 | STRAP, 11 IN BLACK TIE |
| 24 | YH601000160 | 1 | HARNESS, BRIGGS WT KILL SWITCH |



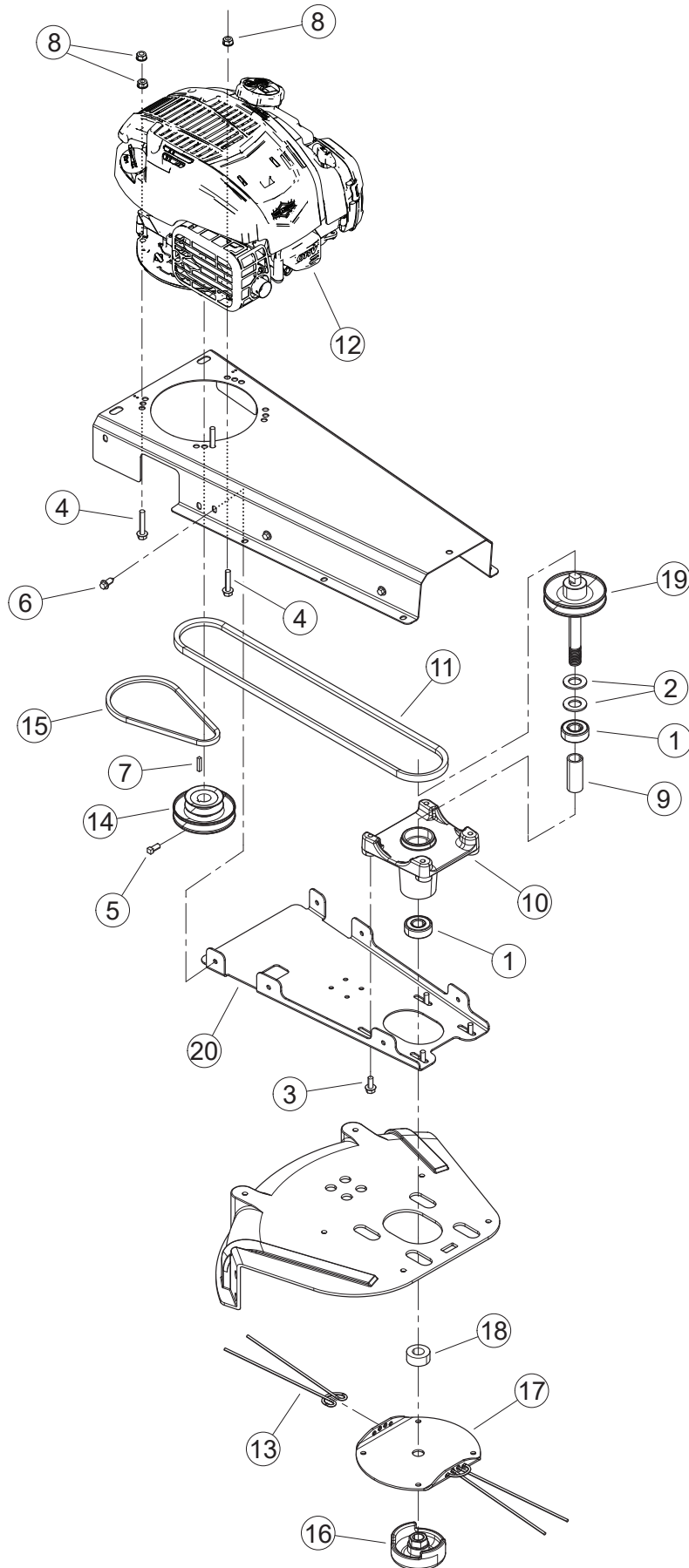
| ITEM | PART NUMBER | QTY | DESCRIPTION |
|------|-------------|-----|--|
| 1 | YH451000070 | 8 | WASHER, 5/16" FENDER ZP |
| 2 | YH436000010 | 11 | BOLT, 5/16 × 3/4 FLANGE NC |
| 3 | YH436000030 | 2 | BOLT, 5/16 × 7/8 FLANGE NC |
| 4 | YH428000000 | 4 | SCREW, 11/32-12 × 7/8 FLANGE T-AB |
| 5 | YH449000020 | 5 | NUT, 5/16"-18 TINNERMAN U-TYPE |
| 6 | YH449000040 | 8 | NUT, 5/16-18 NYLOCK FLANGE |
| 7 | - | 1 | DECAL, SERIAL NUMBER |
| 8 | - | 4 | STRAP, 4 IN BLACK |
| 9 | YH475000210 | 2 | SPACER, PLASTIC TRIMMER SHIELD |
| 10 | YH479000870 | 1 | SHIELD, TRIMMER |
| 11 | YH479000880 | 1 | COVER, WT TRANSMISSION |
| 12 | YH457000010 | 1 | KNIFE, RECTANGULAR SHREDDING |
| 13 | YH479001870 | 1 | BRACKET, WT TRANS MOUNT |
| 14 | YH479001920 | 1 | COVER, METAL WHEELED TRIMMERS |
| 15 | YH479002770 | 1 | ASSEMBLY, WT BODY WITH DECALS (includes Items 16-19) |
| 16 | YH653001620 | 1 | +DECAL, MODEL ECHO WT-1610SP |
| 17 | YH653000230 | 1 | +DECAL, SAFETY INFORMATION |
| 18 | YH653000240 | 1 | +DECAL, ECHO WT MAINTENANCE INFORMATION |
| 19 | YH653000290 | 1 | +DECAL, SPARK ARRESTOR |



| ITEM | PART NUMBER | QTY | DESCRIPTION |
|------|-------------|-----|---|
| 1 | YH434000110 | 12 | BOLT, 5/16-18 x 3/4 SN GR5 CRG |
| 2 | YH451000320 | 4 | WASHER, 1/2 SAE FLAT |
| 3 | YH436000010 | 8 | BOLT, 5/16 x 3/4 FLANGE NC |
| 4 | YH420000000 | 2 | SCREW, SET 1/4 x 5/8 SQ HD |
| 5 | YH471000100 | 2 | PIN, 1/8 x 3/4 IN. SPRING LOCK |
| 6 | YH415000260 | 1 | SCREW, M6 x 1 mm x 20 mm FORMING |
| 7 | YH452000670 | 4 | CLIP, 1/2" E |
| 8 | YH434000130 | 2 | BOLT, 5/16-18 x 1/2 G5 HH SERRATED FLANGE |
| 9 | YH449000040 | 20 | NUT, 5/16-18 NYLOCK FLANGE |
| 10 | YH484000020 | 2 | SPROCKET, 35B48T WITH .500 HUB ID |
| 11 | YH484000030 | 2 | SPROCKET, 35B9T WITH .500 HUB ID |
| 12 | YH602000050 | 1 | TRANSMISSION, 3 SPEED MG512 |
| 13 | YH478000130 | 2 | WHEEL, TRIMMER HUB 15 x 1.75 |
| 14 | YH453000140 | 6 | BUSHING, FLANGE 1/2 DIA 38 DEG MAX ANGLE |
| 15 | YH478000140 | 2 | SHAFT, WT AXLE |
| 16 | YH469000070 | 2 | KEY, 1/8 x 1/8 x 1-3/8 |
| 17 | YH454000030 | 2 | CHAIN, #35 x 60 PITCH W/ C LINK |
| 18 | YH468000500 | 1 | GROMMET, 3/8 ID PUSH IN |
| 19 | YH475000240 | 2 | SPACER, .75 OD x .5 ID x .37 |
| 20 | YH466000160 | 1 | HANDLE BAR, LOWER TRIMMER PAINTED |
| 21 | YH479001860 | 1 | BRACKET, WT BASE |
| 22 | YH479001880 | 2 | BRACKET, TRANS SPEED CABLE |
| 23 | YH470000870 | 1 | LEVER, WT TRANS ENGAGE SS |
| * | | | INCLUDED WITH PN YH602000050 (ITEM 12) |



| ITEM | PART NUMBER | QTY | DESCRIPTION |
|------|-------------|-----|------------------------------------|
| 1 | YH453000080 | 2 | BEARING, 3/4 BALL |
| 2 | YH451000390 | 2 | WASHER, 3/4" SAE FLAT ZP |
| 3 | YH436000010 | 4 | BOLT, 5/16 X 3/4 FLANGE NC |
| 4 | YH436000060 | 1 | BOLT, 5/16 X 1-1/2 FLANGE NC |
| 5 | YH436000120 | 2 | BOLT, 5/16 X 1 1/4 FLANGE NC |
| 6 | YH426000000 | 2 | SCREW, 5/16-18 X 5/8 SQ HD SET |
| 7 | YH428000000 | 6 | SCREW, 11/32-12 X 7/8 FLANGE T-AB |
| 8 | YH469000080 | 1 | KEY, 3/16 SQ X 1.75 |
| 9 | YH449000040 | 4 | NUT, 5/16-18 NYLOCK FLANGE |
| 10 | YH475000200 | 1 | SPACER, TRIMMER SPINDLE |
| 11 | YH479000860 | 1 | CASTING, TRIMMER SPINDLE HUB |
| 12 | YH454000020 | 1 | BELT, AX48 |
| 13 | - | 1 | ENGINE, BRIGGS 163cc VERTICAL |
| 14 | - | 2 | STRING, 20" X .155 DIA. CROSS-FIRE |
| 15 | YH472000100 | 1 | PULLEY, 4.0/2.5 X .875 |
| 16 | YH454000040 | 1 | BELT, 3L220 |
| 17 | YH457000060 | 1 | MOWBALL, CAST TRIMMER PAINTED |
| 18 | YH457000070 | 1 | DISK, TRIMMER HEAD |
| 19 | YH475000230 | 1 | SPACER, TRIMMER HEAD |
| 20 | YH472000110 | 1 | WELDMENT, SPINDLE |
| 21 | YH479001890 | 1 | PLATE, SP SPINDLE CASTING MOUNT |



| ITEM | PART NUMBER | QTY | DESCRIPTION |
|------|-------------|-----|------------------------------------|
| 1 | YH453000080 | 2 | BEARING, 3/4 BALL |
| 2 | YH451000390 | 2 | WASHER, 3/4" SAE FLAT ZP |
| 3 | YH436000010 | 4 | BOLT, 5/16 X 3/4 FLANGE NC |
| 4 | YH436000060 | 3 | BOLT, 5/16 X 1-1/2 FLANGE NC |
| 5 | YH426000000 | 2 | SCREW, 5/16-18 X 5/8 SQ HD SET |
| 6 | YH428000000 | 6 | SCREW, 11/32-12 X 7/8 FLANGE T-AB |
| 7 | YH469000080 | 1 | KEY, 3/16 SQ X 1.75 |
| 8 | YH449000040 | 4 | NUT, 5/16-18 NYLOCK FLANGE |
| 9 | YH475000200 | 1 | SPACER, TRIMMER SPINDLE |
| 10 | YH479000860 | 1 | CASTING, TRIMMER SPINDLE HUB |
| 11 | YH454000020 | 1 | BELT, AX48 |
| 12 | - | 1 | ENGINE, BRIGGS 163cc VERTICAL |
| 13 | - | 2 | STRING, 20" X .155 DIA. CROSS-FIRE |
| 14 | YH472000100 | 1 | PULLEY, 4.0/2.5 X .875 |
| 15 | YH454000040 | 1 | BELT, 3L220 |
| 16 | YH457000060 | 1 | MOWBALL, CAST TRIMMER PAINTED |
| 17 | YH457000070 | 1 | DISK, TRIMMER HEAD |
| 18 | YH475000230 | 1 | SPACER, TRIMMER HEAD |
| 19 | YH472000110 | 1 | WELDMENT, SPINDLE |
| 20 | YH479001890 | 1 | PLATE, SP SPINDLE CASTING MOUNT |

| ITEM | PART NUMBER | QTY | DESCRIPTION |
|------|-------------|-----|--|
| 1 | 102225155 | 1 | 155 DIA, CROSS-FIRE® (50 COUNT / 21" STRIPS) |
| | 102225175 | 1 | 175 DIA, CROSS-FIRE®(50 COUNT / 21" STRIPS) |
| 2 | 314155056 | 1 | 155 DIA, CROSS-FIRE®(3 LB. SPOOL) |
| | 314175057 | 1 | 175 DIA, CROSS-FIRE®(3 LB. SPOOL) |
| 3 | 311155066 | 1 | 155 DIA, CROSS-FIRE®(1 LB. DONUT) |
| | 311175067 | 1 | 175 DIA, CROSS-FIRE®(1 LB. DONUT) |
| 4 | 99944400000 | 1 | KIT, PRO-LINE HEAD |
| 5 | 99944400001 | 1 | KIT, NO SPARK MOW BALL |
| 6 | YH460000220 | 1 | KIT, SPARK ARRESTER BRIGGS |



50 Count / 21" Strips
P/N: 102225175 Shown



3 lb. Spool
P/N: 314175057 Shown



1 lb. Donut
P/N: 311175067 Shown



Pro-Line Head Kit
P/N: 99944400000



No Spark Mow Ball Kit
P/N: 99944400001



Spark Arrester Briggs Kit
P/N: YH460000220