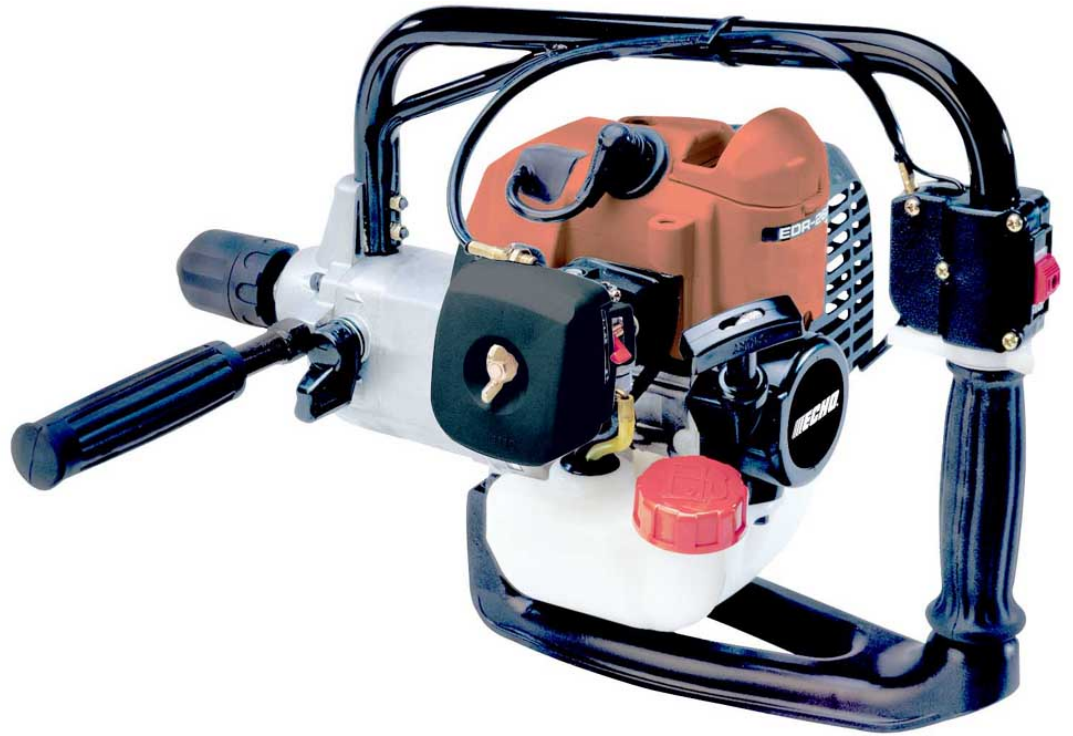


# EDR-260 Engine Drill Reversible

Taladro Motorizados Reversibles  
25.4cc

S/N: E01705001001 - E01705999999



**ECHO**®

**Optional Attachments & Accessories  
Attachments**

Keyless Chuck 99944900320

**Auger Bits**

Bulb/Plant Auger - 2-1/2 X 24" 99944900010

Bulb/Plant Auger - 3 X 24" 99944900020

Deep Root Auger - 1/8 X 24" 99944900040

Irrigation Auger - 2-1/2 X 18" 99944900050

Heavy Duty Auger - 3 X 18" 99944900060

7 Gallon Pot Auger - 12" 99944900070

1 To 2 Gallon Paint Mixer - 10" 99944900080

1 To 3 Gallon Paint Mixer - 30" 99944900090

**Accesorios & Accesorios Opcionales  
Aditamentos**

Mandril sin llave

**Puntas de barrenadora**

Barrenadora - 2-1/2 X 24 pulgadas

Barrenadora - 3 X 24 pulgadas

Barrenadora - 1/8 X 24 pulgadas

Barrenadora - 2-1/2 X 18 pulgadas

Barrenadora de servicio pesado - 3 X 18 pulgadas

Barrenadora - 12 pulgadas

Mezcladora de pintura - 10 pulgadas

Mezcladora de pintura - 30 pulgadas

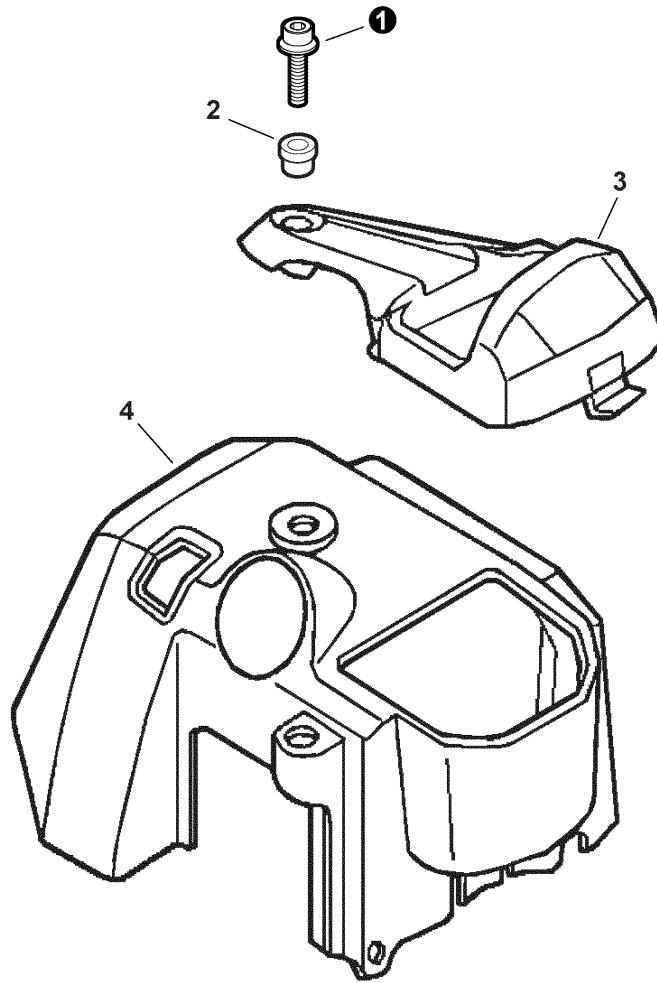
**TABLE OF CONTENTS - CONTENIDO**

*Click Any Diagram Description Below To View That Diagram*  
*Chasque cualquier descripción del diagrama abajo para ver ese diagrama*

|   |           |
|---|-----------|
| <b>Engine Cover</b> .....                                 | <b>3</b>  |
| Cubierta del Motor  |           |
| <b>Handles, Throttle Control</b> .....                    | <b>4</b>  |
| Mangos, Control del Acelerador                            |           |
| <b>Intake</b> .....                                       | <b>5</b>  |
| Admisión  |           |
| <b>Carburetor -- WYJ-330A</b> .....                       | <b>6</b>  |
| Carburador -- WYJ-330A                                    |           |
| <b>Exhaust</b> .....                                      | <b>8</b>  |
| Escape  |           |
| <b>Fuel System S/N: E01705001001 - E01705008966</b> ..... | <b>9</b>  |
| Sistema de Combustible N/S: E01705001001 - E01705008966   |           |
| <b>Fuel System S/N: E01705008967 - E01705999999</b> ..... | <b>10</b> |
| Sistema de Combustible N/S: E01705008967 - E01705999999   |           |
| <b>Starter</b> .....                                      | <b>11</b> |
| Arrancador  |           |
| <b>Ignition</b> .....                                     | <b>12</b> |
| Ignición  |           |
| <b>Chuck, Clutch, Gear Case</b> .....                     | <b>13</b> |
| Mandril, Embrague, Caja de Angranajes                     |           |
| <b>Engine, Short Block -- SB1060</b> .....                | <b>15</b> |
| Motor, bloque corto -- SB1060                             |           |
| <b>Labels</b> .....                                       | <b>16</b> |
| Etiquetas   |           |
| <b>Tools</b> .....  | <b>17</b> |
| Herramientas  |           |
| <b>P021003970 Gasket Kit</b> .....                        | <b>18</b> |
| P021003970 Kit de Juntas                                  |           |
| <b>90008 RePower FILTER KIT</b> .....                     | <b>19</b> |
| 90008 Kit de Filtro                                       |           |
| <b>90010 RePower CAP AND VENT KIT</b> .....               | <b>20</b> |
| 90010 Kit del Caquillo y del Respiradero                  |           |
| <b>90074/C RePower TUNE-UP KIT</b> .....                  | <b>21</b> |
| 90074/C Kit de Puesta a Punto                             |           |
| <b>90104 RePower FUEL SYSTEM KIT</b> .....                | <b>22</b> |
| 90104 Kit del Sistema de Carburante                       |           |
| <b>Part Number Index</b> .....                            | <b>23</b> |
| Índice Del Número De Parte                                |           |

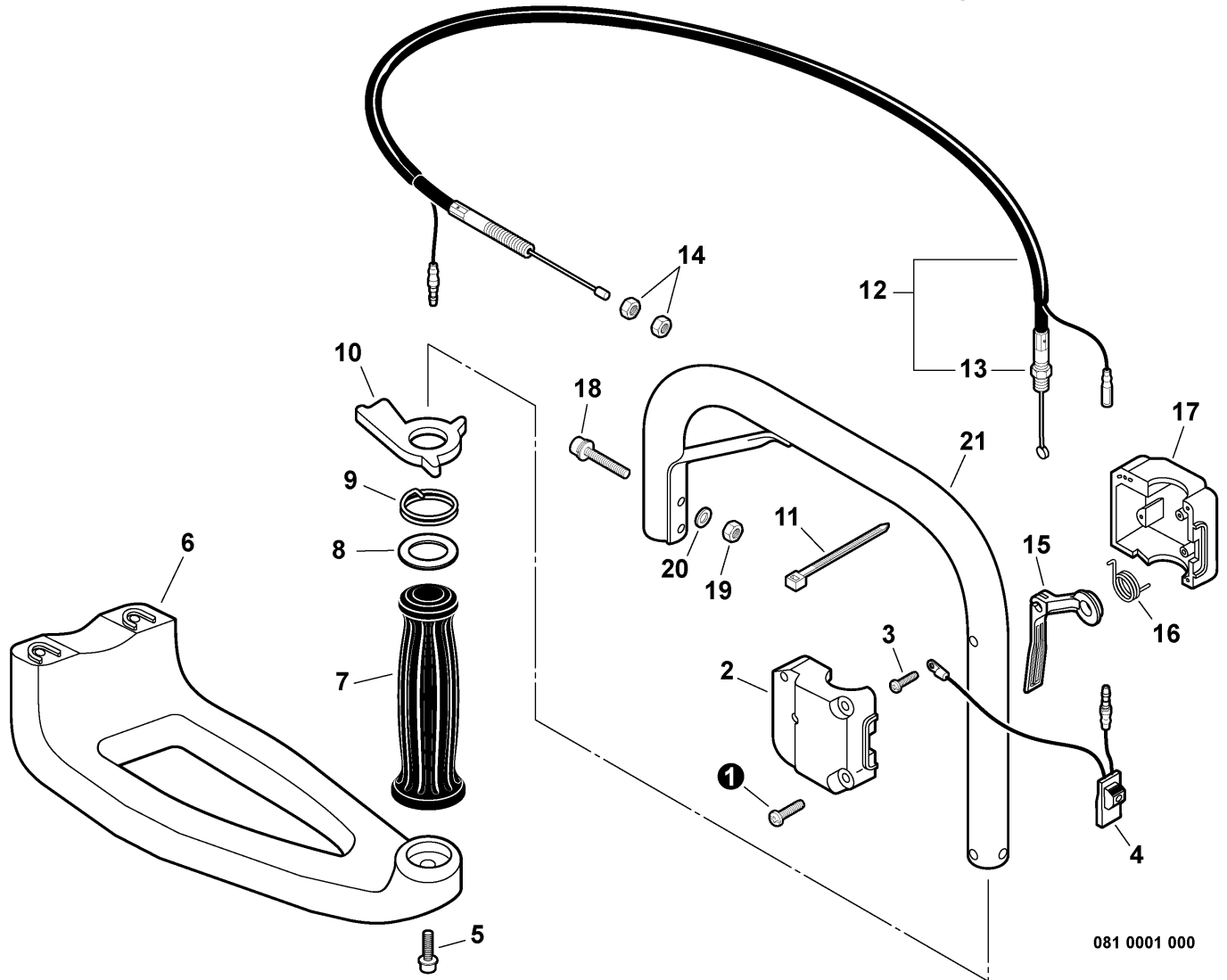


**NOTES -- NOTAS**



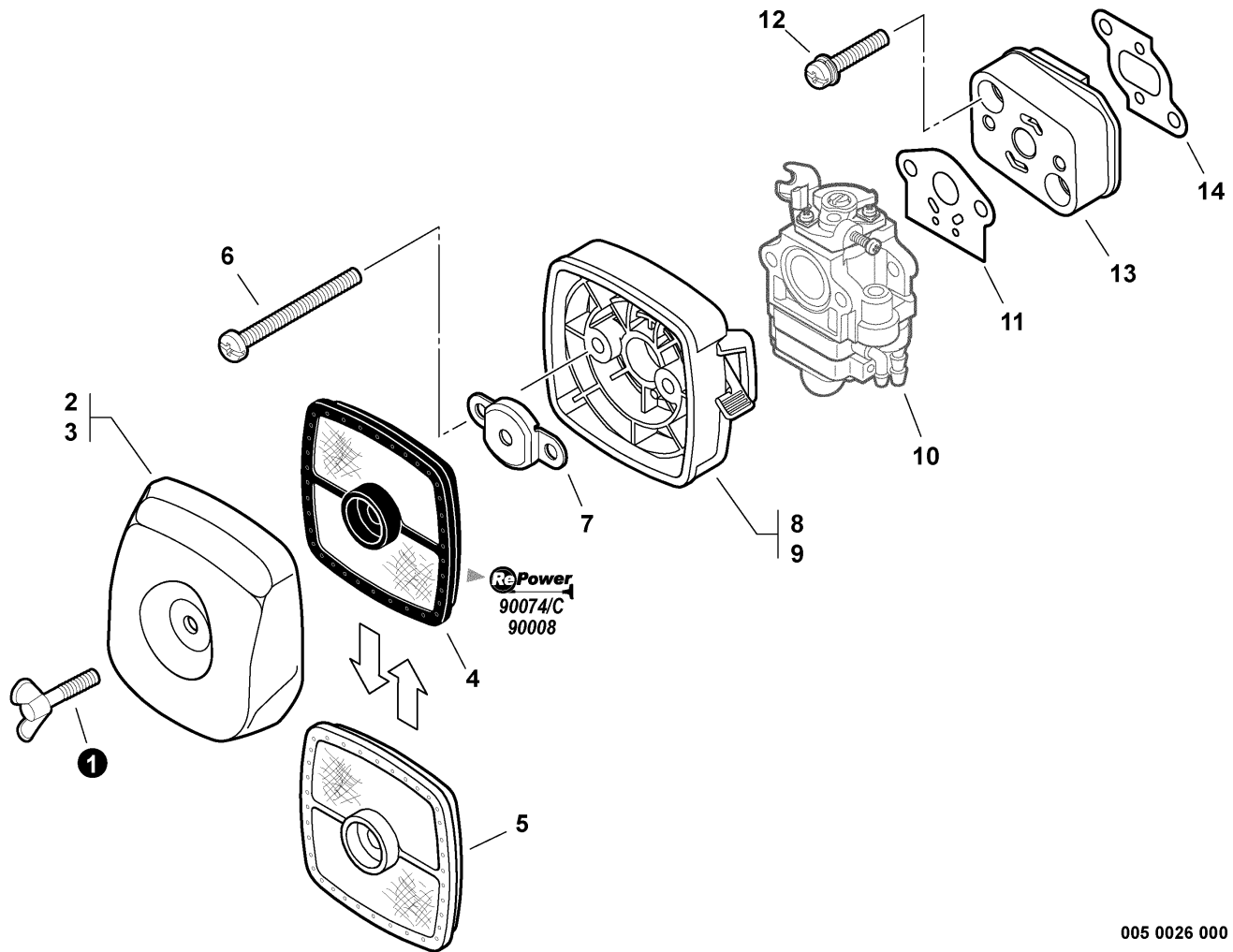
001 0034 000

|   |             |   |                        |                 |
|---|-------------|---|------------------------|-----------------|
| ① | 90010605016 | 1 | SCREW - 5X16           | TORNILLO - 5X16 |
| 2 | V353000020  | 1 | COLLAR - 5             | ESPACIADOR - 5  |
| 3 | A161000060  | 1 | DUCT, AIR - GRAY       | DUCTO, AIRE     |
| 3 | A161000090  | 1 | DUCT, AIR - ORANGE     | DUCTO, AIRE     |
| 4 | A160000471  | 1 | COVER, ENGINE - GRAY   | CUBIERTA, MOTOR |
| 4 | A160001130  | 1 | COVER, ENGINE - ORANGE | CUBIERTA, MOTOR |



081 0001 000

|    |               |   |                                   |   |
|----|---------------|---|-----------------------------------|---|
| ①  | 90024504025   | 4 | SCREW - 4X25                      | TORNILLO - 4X25                             |
| 2  | 17805201261   | 1 | BRACKET, THROTTLE CONTROL - LEFT  | SOPORTE, CONTROL DEL ACELERADOR - IZQUIERDO |
| 3  | 90024504030   | 1 | SCREW - 4X30                      | TORNILLO - 4X30                             |
| 4  | 16340004460   | 1 | IGNITION SWITCH ASY               | CONJUNTO DE INTERRUPTOR DEL ENCENDIDO       |
| 5  | 90010605016   | 3 | SCREW - 5X16                      | TORNILLO - 5X16                             |
| 6  | A175000021    | 1 | STAND                             | APOYO                                       |
| 7  | 35131527931   | 1 | GRIP, HANDLE - RIGHT              | AGARRE, MANGO - DERECHO                     |
| 8  | 17807002061   | 1 | SPACER                            | ESPACIADOR                                  |
| 9  | 17801302060   | 1 | SPRING, THROTTLE LOCK             | RESORTE, TRABA DEL ACELERADOR               |
| 10 | 17801202061   | 1 | LOCKOUT, TRIGGER                  | TRABA, GATILLO                              |
| 11 | 17812156030   | 1 | TIE, CABLE                        | AMARRE, CABLE                               |
| 12 | V043000010    | 1 | CONTROL CABLE ASY                 | CONJUNTO DE CABLE DE CONTROL                |
| 13 | + 90050200006 | 1 | NUT - 6                           | TUERCA - 6                                  |
| 14 | 90050200006   | 2 | NUT - 6                           | TUERCA - 6                                  |
| 15 | C450000150    | 1 | TRIGGER, THROTTLE                 | GATILLO, ACELERADOR                         |
| 16 | 17804301260   | 1 | SPRING, TRIGGER                   | RESORTE, GATILLO                            |
| 17 | 17802401261   | 1 | BRACKET, THROTTLE CONTROL - RIGHT | SOPORTE, CONTROL DEL ACELERADOR - DERECHO   |
| 18 | 90016205035   | 2 | SCREW - 5X35                      | TORNILLO - 5X35                             |
| 19 | 90056000005   | 2 | LOCKNUT - 5                       | CONTRATUERCA - 5                            |
| 20 | 90060200005   | 2 | WASHER - 5                        | ARANDELA - 5                                |
| 21 | C410000160    | 1 | HANDLE - REAR                     | MANGO - TRASERO                             |



005 0026 000

|    |             |   |   |  |
|----|-------------|---|---|--|
| ①  | 21041752730 | 1 | THUMBSCREW                                | TORNILLO, DE OREJETAS                      |
| 2  | 13031306563 | 1 | COVER, AIR CLEANER - GRAY                 | CUBIERTA, FILTRO DE AIRE - GRIS            |
| 3  | 13031305863 | 1 | COVER, AIR CLEANER - BLACK                | CUBIERTA, FILTRO DE AIRE - NEGRO           |
| 4  | A226001410  | 1 | FILTER, AIR - DOUBLE LAYER <sup>(1)</sup> | FILTRO DE AIRE - CAPA DOBLE <sup>(1)</sup> |
| 5  | 13031054130 | 1 | FILTER, AIR - SINGLE LAYER <sup>(2)</sup> | FILTRO DE AIRE - CAPA ÚNICA <sup>(2)</sup> |
| 6  | 90024205060 | 2 | SCREW - 5X60                              | TORNILLO - 5X60                            |
| 7  | 12901152730 | 1 | PLATE, PREVENT                            | PLACA, PRE-RESPIRADERO                     |
| 8  | P021000991  | 1 | CASE, AIR CLEANER - GRAY                  | CARCASA, FILTRO DE AIRE - GRIS             |
| 9  | P021004480  | 1 | CASE, AIR CLEANER - BLACK                 | CARCASA, FILTRO DE AIRE - NEGRO            |
| 10 | -----       | 1 | CARBURETOR <sup>(3)</sup>                 | CARBURADOR <sup>(3)</sup>                  |
| 11 | 13001013410 | 1 | GASKET, INTAKE <sup>(4)</sup>             | JUNTA, ADMISIÓN <sup>(4)</sup>             |
| 12 | 90016205025 | 2 | SCREW - 5X25                              | TORNILLO - 5X25                            |
| 13 | 13001756431 | 1 | INSULATOR, INTAKE                         | AISLANTE, ADMISIÓN                         |
| 14 | 13001055930 | 1 | GASKET, INTAKE <sup>(4)</sup>             | JUNTA, ADMISIÓN <sup>(4)</sup>             |
| 15 | 90074C      |   | RePower TUNE-UP KIT <sup>(5)</sup>        | KIT DE PUESTA A PUNTO <sup>(5)</sup>       |
| 15 | 90074       |   | RePower TUNE-UP KIT                       | KIT DE PUESTA A PUNTO                      |
| 16 | 90008       |   | RePower FILTER KIT                        | KIT DE FILTRACIÓN                          |

(FOOTNOTE) 1 - Included In RePower KIT

2 - OPTIONAL

3 - See Carburetor Diagram For Details

4 - Included In GASKET KIT

5 - CANADA MODELS

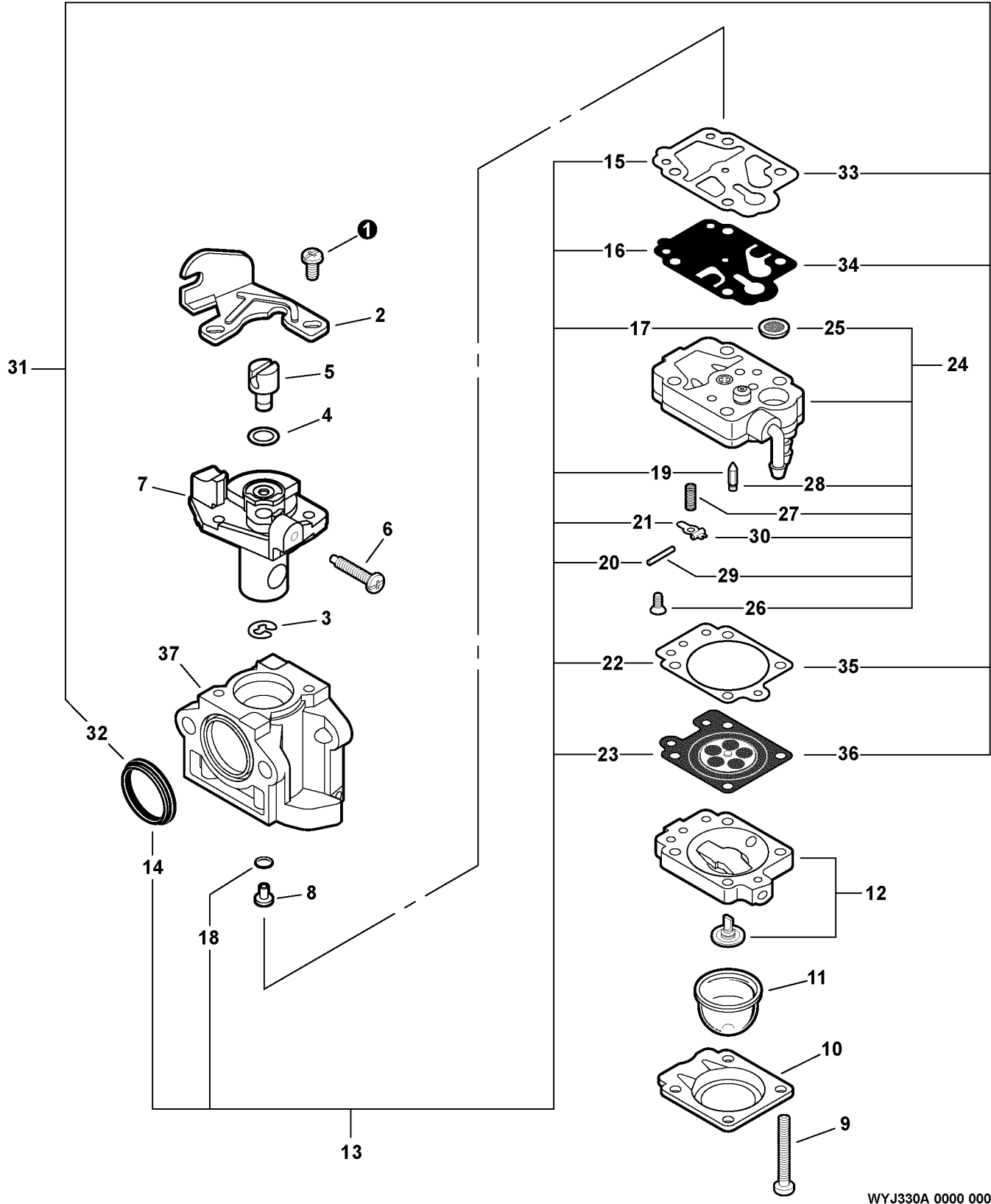
(NOTA DEL PIE) 1 - Incluido en KIT de la RePower

2 - OPCIONAL

3 - Vea el diagrama del carburador para los detalles

4 - Incluido en KIT de la JUNTA

5 - MODELOS DE CANADÁ



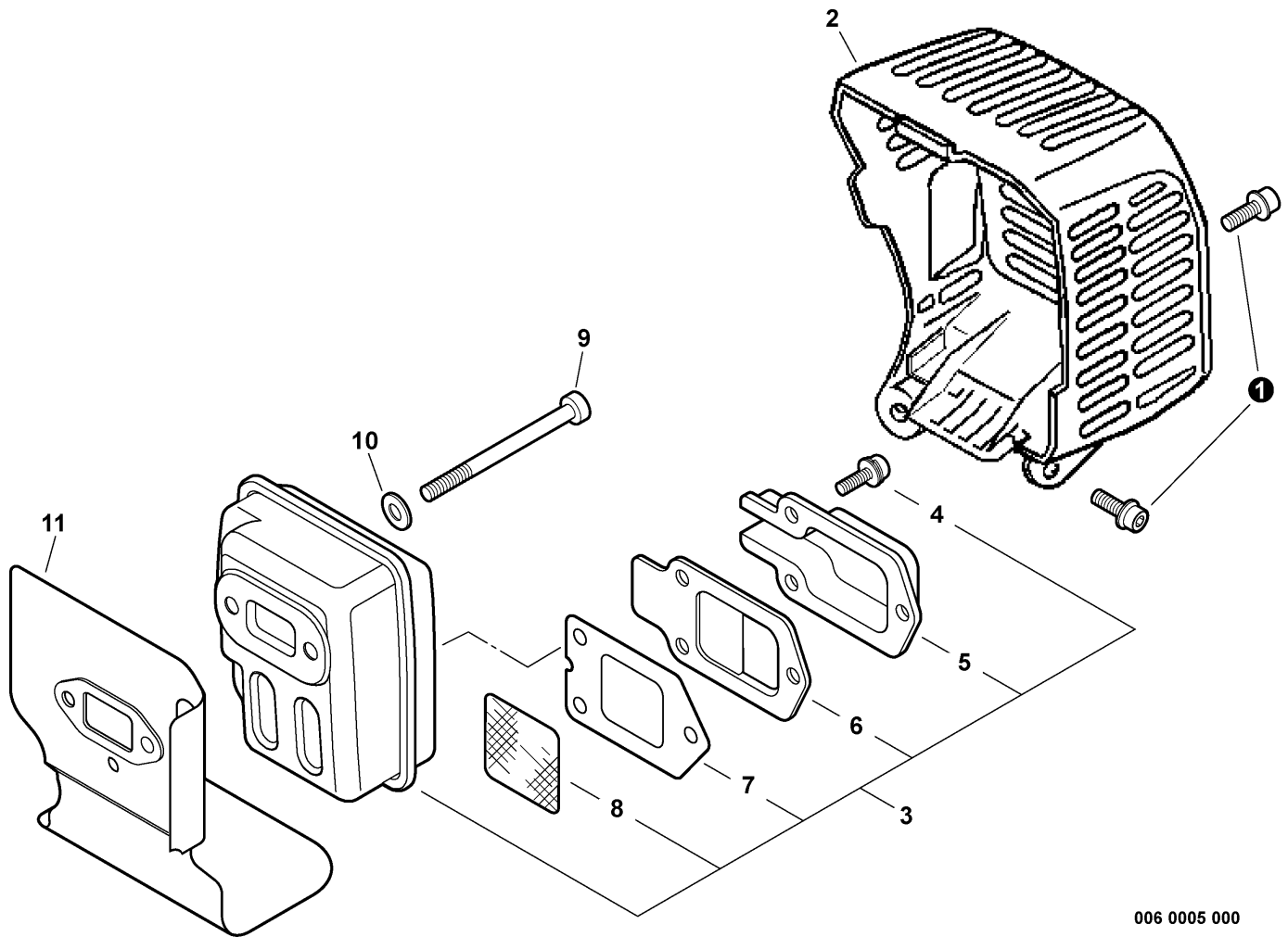
WYJ330A 0000 000

|    |               |   |                                   |   |
|----|---------------|---|-----------------------------------|---|
|    | A021000672    | 1 | CARBURETOR -- WYJ-330A            | CARBURADOR -- WYJ-330                             |
| ①  | + 12311440630 | 2 | SCREW                             | TORNILLO  |
| 2  | + P003000180  | 1 | BRACKET, CABLE                    | SOPORTE, CABLE                                    |
| 3  | + 12317307930 | 1 | RING, RETAINING                   | ANILLO, RETÉN                                     |
| 4  | + 12314954230 | 1 | WASHER                            | ARANDELA  |
| 5  | + 12317245130 | 1 | SWIVEL                            | PIVOTE  |
| 6  | + 12313440030 | 1 | SCREW, IDLE ADJUST                | TORNILLO, AJUSTE DE RALENTÍ                       |
| 7  | + -----       | 1 | THROTTLE VALVE ASY <sup>(1)</sup> | CONJUNTO DE VÁLVULA DEL ACELERADOR <sup>(1)</sup> |
| 8  | + P003001050  | 1 | JET, MAIN                         | BOQUILLA  |
| 9  | + 12311005560 | 4 | SCREW, PUMP COVER                 | TORNILLO, CUBIERTA DE LA BOMBA                    |
| 10 | + 12314205560 | 1 | RETAINER, PURGE BULB              | RETÉN, BULBO DE LA PURGA                          |
| 11 | + 12318140630 | 1 | BULB, PURGE                       | BULBO, PURGA                                      |
| 12 | + 12318005560 | 1 | PURGE BASE ASY                    | BASE, PURGA                                       |
| 13 | + P003000190  | 1 | REPAIR KIT                        | KIT DE REPARACIÓN                                 |
| 14 | + -----       | 1 | RING, PACKING                     | ANILLO, JUNTA                                     |
| 15 | + -----       | 1 | GASKET, PUMP                      | JUNTA, BOMBA                                      |
| 16 | + -----       | 1 | DIAPHRAGM, PUMP                   | DIAFRAGMA, BOMBA                                  |
| 17 | + -----       | 1 | STRAINER                          | TAMIZ   |
| 18 | + -----       | 1 | O-RING                            | ANILLO O  |
| 19 | + -----       | 1 | VALVE, INLET NEEDLE               | VÁLVULA DE AGUJA, ADMISIÓN                        |
| 20 | + -----       | 1 | PIN, METERING LEVER               | PASADOR, PALANCA DE DOSIFICACIÓN                  |
| 21 | + -----       | 1 | LEVER, METERING                   | PALANCA, DOSIFICACIÓN                             |
| 22 | + -----       | 1 | GASKET, METERING                  | JUNTA, DOSIFICACIÓN                               |
| 23 | + -----       | 1 | DIAPHRAGM, METERING               | DIAFRAGMA, DOSIFICACIÓN                           |
| 24 | + P003000870  | 1 | PUMP BODY ASY                     | CONJUNTO DE CUERPO DE BOMBA                       |
| 25 | + -----       | 1 | STRAINER                          | TAMIZ   |
| 26 | + 12313905560 | 1 | SCREW, METERING LEVER PIN         | TORNILLO, PASADOR DE RETÉN                        |
| 27 | + -----       | 1 | SPRING, METERING LEVER            | RESORTE, PALANCA DE DOSIFICACIÓN                  |
| 28 | + -----       | 1 | VALVE, INLET NEEDLE               | VÁLVULA DE AGUJA, ADMISIÓN                        |
| 29 | + -----       | 1 | PIN, METERING LEVER               | PASADOR, PALANCA DE DOSIFICACIÓN                  |
| 30 | + -----       | 1 | LEVER, METERING                   | PALANCA, DOSIFICACIÓN                             |
| 31 | + P003000200  | 1 | DIAPHRAGM/GASKET KIT              | KIT DE DIAFRAGMA/JUNTA                            |
| 32 | + -----       | 1 | RING, PACKING                     | ANILLO, JUNTA                                     |
| 33 | + -----       | 1 | GASKET, PUMP                      | JUNTA, BOMBA                                      |
| 34 | + -----       | 1 | DIAPHRAGM, PUMP                   | DIAFRAGMA, BOMBA                                  |
| 35 | + -----       | 1 | GASKET, METERING                  | JUNTA, DOSIFICACIÓN                               |
| 36 | + -----       | 1 | DIAPHRAGM, METERING               | DIAFRAGMA, DOSIFICACIÓN                           |
| 37 | + -----       | 1 | BODY, CARBURETOR <sup>(1)</sup>   | CUERPO, CARBURADOR <sup>(1)</sup>                 |

(FOOTNOTE) 1 - NOT AVAILABLE SEPARATELY

(NOTA DEL PIE) 1 - NO DISPONIBLE POR SEPARADO



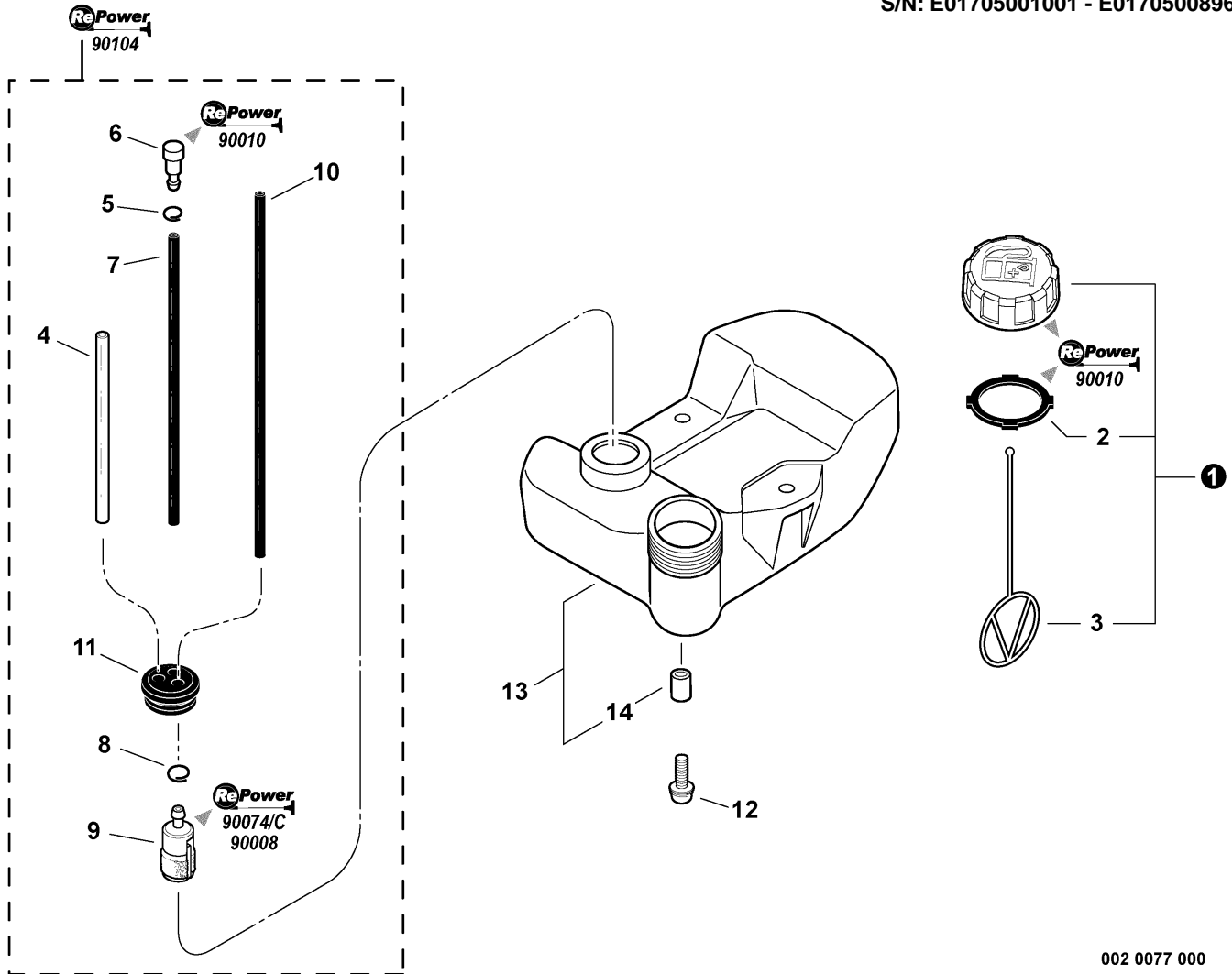


006 0005 000

|    |               |   |                                |                                  |
|----|---------------|---|--------------------------------|----------------------------------|
| ①  | A320000220    | 1 | COVER, EXHAUST                 | CUBIERTA, ESCAPE                 |
| 2  | 90010605012   | 2 | SCREW - 5X12                   | TORNILLO - 5X12                  |
| 3  | P021005770    | 1 | MUFFLER ASY                    | CONJUNTO DE SILENCIADOR          |
| 4  | + 90024204010 | 3 | SCREW - 4X10                   | TORNILLO - 4X10                  |
| 5  | + A313000041  | 1 | GUIDE, EXHAUST - OUTER         | GUÍA, ESCAPE - EXTERIOR          |
| 6  | + 14587642030 | 1 | GUIDE, EXHAUST - INNER         | GUÍA, ESCAPE - INTERIOR          |
| 7  | + V104000003  | 1 | GASKET, EXHAUST <sup>(1)</sup> | JUNTA, ESCAPE <sup>(1)</sup>     |
| 8  | + 14586240630 | 1 | SCREEN, SPARK ARRESTER         | PANTALLA, SUPRESOR DE CHISPAS    |
| 9  | 90010505055   | 2 | SCREW - 5X55                   | TORNILLO - 5X55                  |
| 10 | 90060200005   | 2 | WASHER - 5                     | ARANDELA - 5                     |
| 11 | V104000061    | 1 | SHIELD, EXHAUST <sup>(1)</sup> | PROTECTOR, ESCAPE <sup>(1)</sup> |

(FOOTNOTE) 1 - Included In GASKET KIT

(NOTA DEL PIE) 1 - Incluido en KIT de la JUNTA

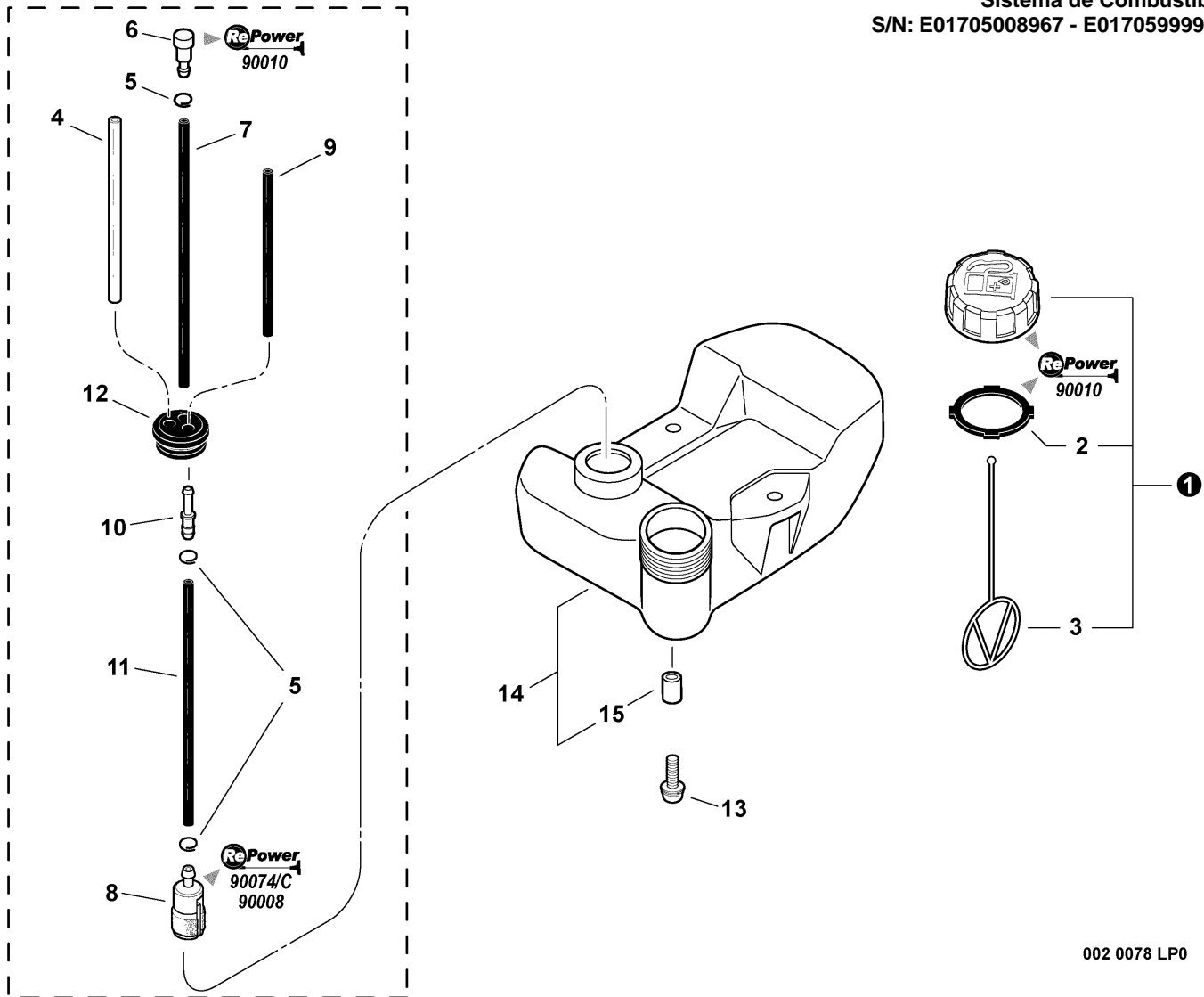


002 0077 000

|    |               |   |  |   |
|----|---------------|---|--|---|
| ①  | 13100455530   | 1 | CAP ASY - ORANGE <sup>(1)</sup>        | CONJUNTO DE TAPA - NARANJA <sup>(1)</sup>         |
| 2  | + 13101655830 | 1 | GASKET <sup>(1)</sup>                  | JUNTA <sup>(1)</sup>                              |
| 3  | + 13105156030 | 1 | CONNECTOR, CAP                         | CONECTOR, TAPA                                    |
| 4  | 13201256030   | 1 | PIPE - 3X6X80 -- CLEAR <sup>(2)</sup>  | TUBO - 3X6X80 -- TRANSPARENTE <sup>(2)</sup>      |
| 5  | 13201326630   | 1 | CLIP - 6.5                             | GANCHO  |
| 6  | A356000030    | 1 | VENT, FUEL TANK <sup>(1)</sup>         | RESPIRADERO, TANQUE DE COMBUSTIBLE <sup>(1)</sup> |
| 7  | V471000110    | 1 | PIPE - 3X6X115 -- BLACK <sup>(3)</sup> | TUBO - 3X6X115 -- NEGRO <sup>(3)</sup>            |
| 8  | 13201326630   | 1 | CLIP - 6.5                             | GANCHO  |
| 9  | 13120519831   | 1 | FILTER, FUEL <sup>(1)</sup>            | FILTRO DE COMBUSTIBLE <sup>(1)</sup>              |
| 10 | 13201052030   | 1 | PIPE - 3X6X170 -- BLACK <sup>(3)</sup> | TUBO - 3X6X170 -- NEGRO <sup>(3)</sup>            |
| 11 | 13211555930   | 1 | GROMMET                                | ANILLO DE GOMA                                    |
| 12 | 90023905016   | 2 | SCREW - 5X16                           | TORNILLO - 5X16                                   |
| 13 | 13100555932   | 1 | FUEL TANK ASY                          | TANQUE, COMBUSTIBLE                               |
| 14 | + 13104528230 | 2 | SLEEVE                                 | ESPACIADOR  |
| 15 | 90104         |   | RePower FUEL SYSTEM KIT                | KIT DEL SISTEMA DE CARBURANTE                     |
| 16 | 90074         |   | RePower TUNE-UP KIT                    | KIT DE PUESTA A PUNTO                             |
| 16 | 90074C        |   | RePower TUNE-UP KIT <sup>(4)</sup>     | KIT DE PUESTA A PUNTO <sup>(4)</sup>              |
| 17 | 90008         |   | RePower FILTER KIT                     | KIT DE FILTRACIÓN                                 |
| 18 | 90010         |   | RePower CAP/VENT KIT                   | KIT REPOWER DE TAPA Y RESPIRADERO                 |

(FOOTNOTE) 1 - Included In RePower KIT  
 2 - RePower BULK OPTION: 90017  
 3 - RePower BULK OPTION: 90015  
 4 - CANADA MODELS

(NOTA DEL PIE) 1 - Incluido en KIT de la RePower  
 2 - OPCIÓN A GRANEL de la RePower: 90017  
 3 - OPCIÓN A GRANEL de la RePower: 90015  
 4 - MODELOS DE CANADÁ

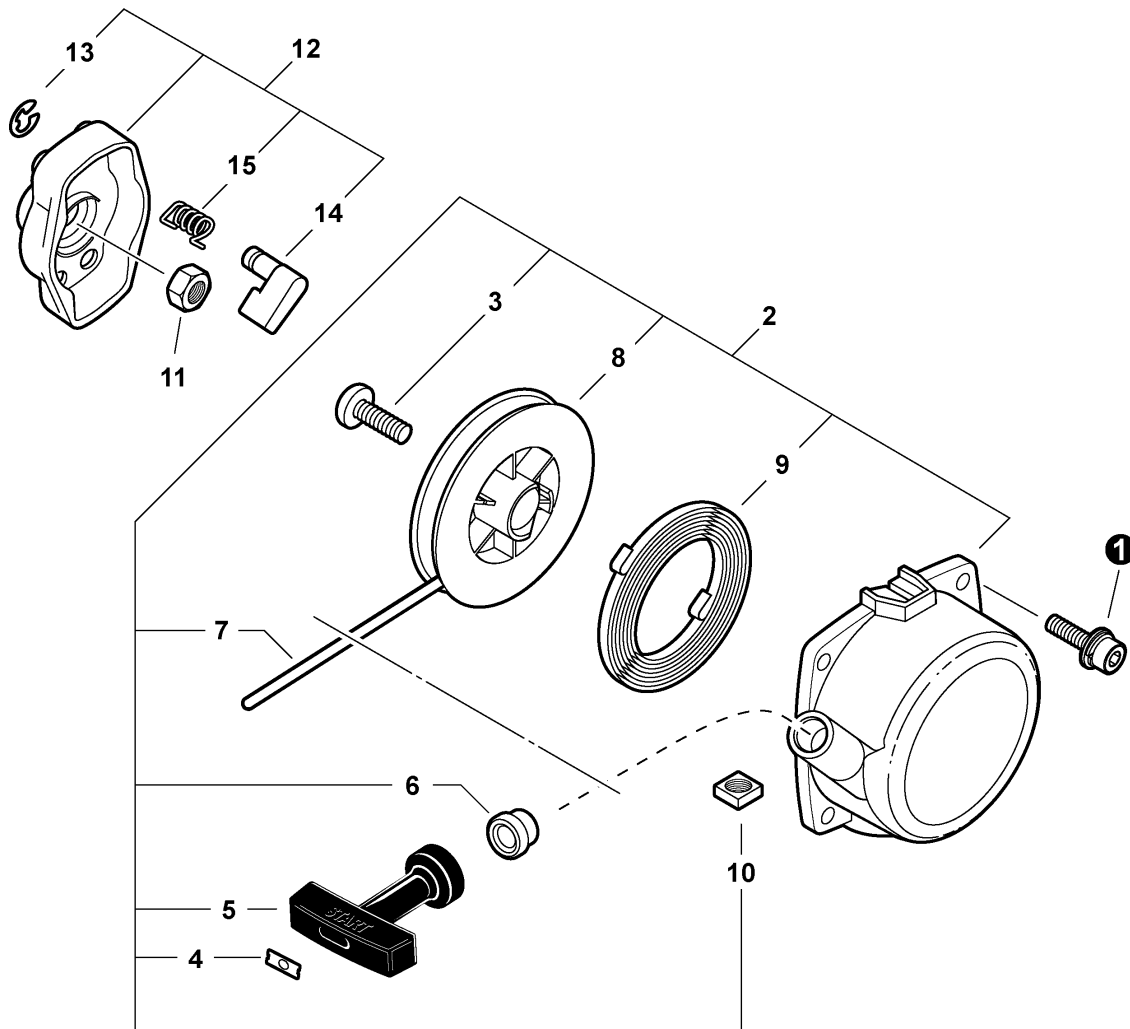


002 0078 LP0

|    |               |   |  |   |
|----|---------------|---|--|---|
| ①  | 13100455530   | 1 | CAP ASY - ORANGE <sup>(1)</sup>        | CONJUNTO DE TAPA - NARANJA <sup>(1)</sup>         |
| 2  | + 13101655830 | 1 | GASKET <sup>(1)</sup>                  | JUNTA <sup>(1)</sup>                              |
| 3  | + 13105156030 | 1 | CONNECTOR, CAP                         | CONECTOR, TAPA                                    |
| 4  | 13201256030   | 1 | PIPE - 3X6X80 -- CLEAR <sup>(2)</sup>  | TUBO - 3X6X80 -- TRANSPARENTE <sup>(2)</sup>      |
| 5  | V491001230    | 3 | CLIP - 6.5                             | CLIP - 6.5  |
| 6  | A356000031    | 1 | VENT, FUEL TANK <sup>(1)</sup>         | RESPIRADERO, TANQUE DE COMBUSTIBLE <sup>(1)</sup> |
| 7  | V471000110    | 1 | PIPE - 3X6X115 -- BLACK <sup>(3)</sup> | TUBO - 3X6X115 -- NEGRO <sup>(3)</sup>            |
| 8  | 13120519831   | 1 | FILTER, FUEL                           | FILTRO DE COMBUSTIBLE                             |
| 9  | V471003710    | 1 | PIPE - 3X5X67 -- BLACK <sup>(4)</sup>  | TUBO - 3X5X67 -- NEGRO <sup>(4)</sup>             |
| 10 | V186000520    | 1 | CONNECTOR, FUEL PIPE                   | CONECTOR, TUBO                                    |
| 11 | 13201056030   | 1 | PIPE - 3X6X110 -- BLACK <sup>(3)</sup> | TUBO - 3X6X110 -- NEGRO <sup>(3)</sup>            |
| 12 | 13211555930   | 1 | GROMMET                                | ANILLO DE GOMA                                    |
| 13 | 90023905016   | 2 | SCREW - 5X16                           | TORNILLO - 5X16                                   |
| 14 | 13100555932   | 1 | FUEL TANK ASY                          | TANQUE, COMBUSTIBLE                               |
| 15 | + 13104528230 | 2 | SLEEVE                                 | ESPACIADOR  |
| 16 | 90074         |   | RePower TUNE-UP KIT                    | KIT DE PUESTA A PUNTO                             |
| 16 | 90074C        |   | RePower TUNE-UP KIT <sup>(5)</sup>     | KIT DE PUESTA A PUNTO <sup>(5)</sup>              |
| 17 | 90008         |   | RePower FILTER KIT                     | KIT DE FILTRACIÓN                                 |
| 18 | 90010         |   | RePower CAP/VENT KIT                   | KIT REPOWER DE TAPA Y RESPIRADERO                 |

(FOOTNOTE) 1 - Included In RePower KIT  
 2 - RePower BULK OPTION: 90017  
 3 - RePower BULK OPTION: 90015  
 4 - RePower BULK OPTION: N/A  
 5 - CANADA MODELS

(NOTA DEL PIE) 1 - Incluido en KIT de la RePower  
 2 - OPCIÓN A GRANEL de la RePower: 90017  
 3 - OPCIÓN A GRANEL de la RePower: 90015  
 4 - OPCIÓN A GRANEL de la RePower: NO DISPONIBLE  
 5 - MODELOS DE CANADÁ

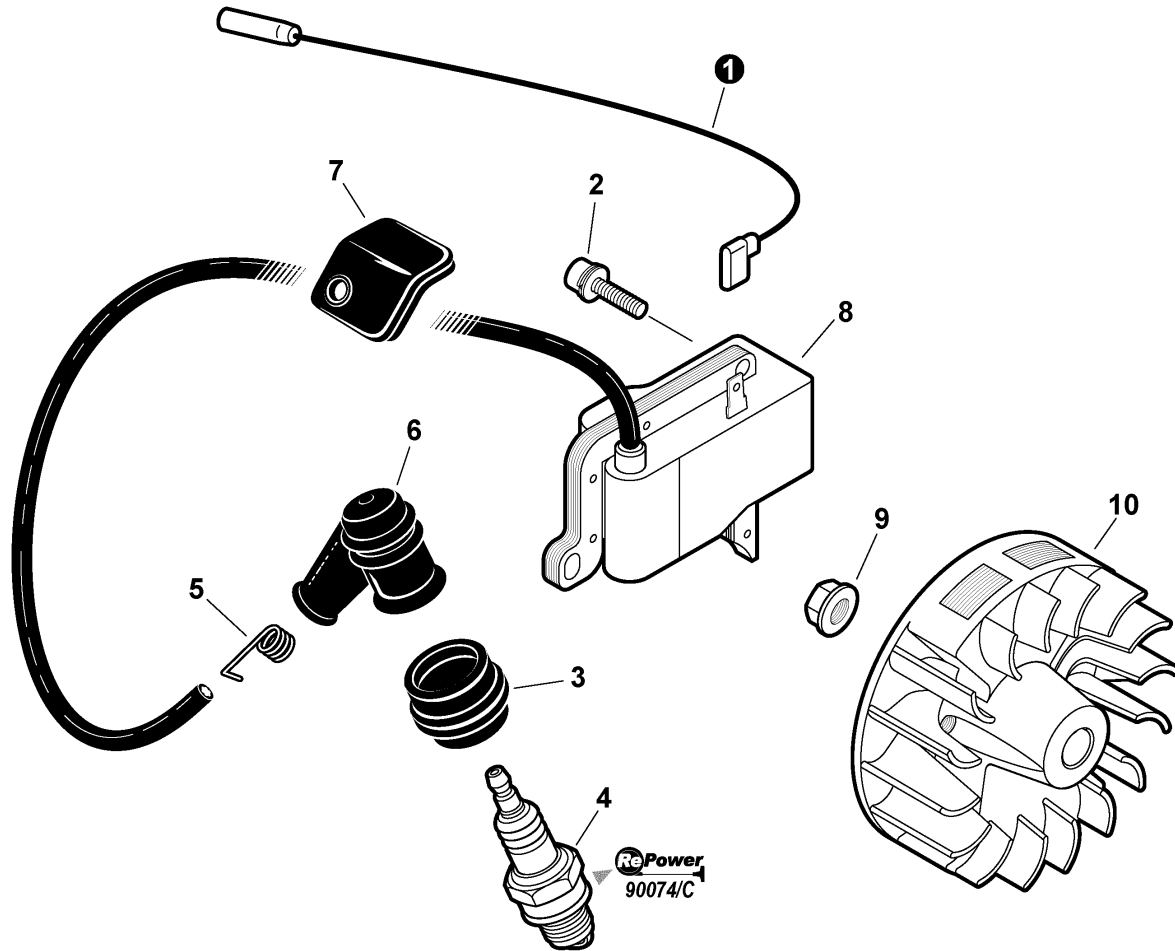


004 0027 000

|    |               |   |  |   |
|----|---------------|---|--|---|
| ①  | 9112604012    | 4 | SCREW - 4X12                           | PERNO - 4X12                                |
| 2  | 17720055931   | 1 | STARTER ASY                            | CONJUNTO DE ARRANCADOR                      |
| 3  | + 17723644330 | 1 | SCREW                                  | TORNILLO                                    |
| 4  | + 17724611120 | 1 | RETAINER, ROPE                         | RETÉN, CUERDA                               |
| 5  | + 17722827030 | 1 | GRIP, STARTER                          | AGARRE, ARRANCADOR                          |
| 6  | + 17722742030 | 1 | GUIDE, ROPE                            | GUÍA, CUERDA                                |
| 7  | + 17722603930 | 1 | ROPE, STARTER - 3.5X850 <sup>(1)</sup> | CUERDA, ARRANCADOR - 3.5X850 <sup>(1)</sup> |
| 8  | + 17721540630 | 1 | REEL, ROPE                             | CARRETE, CUERDA                             |
| 9  | + 17722040630 | 1 | SPRING, REWIND                         | RESORTE, REBOBINADO                         |
| 10 | + 90056500005 | 1 | NUT - 5 -- SQUARE                      | TUERCA - 5 -- CUADR                         |
| 11 | 90050200008   | 1 | NUT - 8                                | TUERCA - 8                                  |
| 12 | A052000030    | 1 | STARTER PAWL ASY                       | CONJUNTO DE TRINQUETE DEL ARRANCADOR        |
| 13 | + 90070000004 | 2 | RING, RETAINING - 4                    | ANILLO, RETÉN - 4                           |
| 14 | + 17721840630 | 2 | PAWL, STARTER                          | TRINQUETE, ARRANCADOR                       |
| 15 | + 17723440630 | 2 | SPRING, RETURN                         | RESORTE, RETORNO                            |

(FOOTNOTE) 1 - RePower BULK OPTION: 99944445000

(NOTA DEL PIE) 1 - OPCIÓN A GRANEL de la RePower: 99944445000



007 0059 000

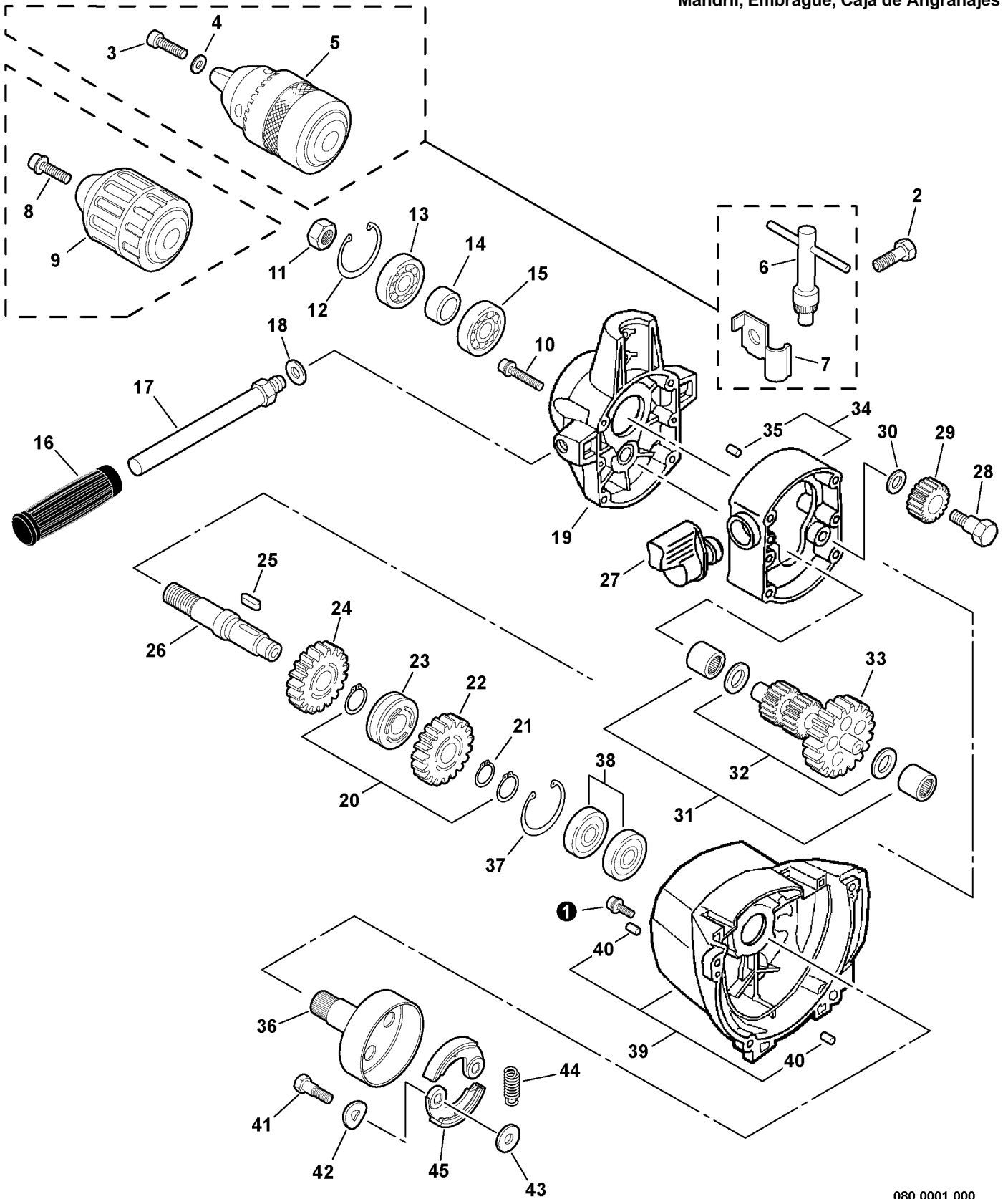
|    |             |   |                                      |                                      |
|----|-------------|---|--------------------------------------|--------------------------------------|
| ①  | 16201056430 | 1 | LEAD, IGNITION                       | CABLE CONDUCTOR                      |
| 2  | 90016205016 | 2 | SCREW - 5X16                         | TORNILLO - 5X16                      |
| 3  | A429000000  | 1 | COVER, SPARK PLUG CAP                | CUBIERTA, CAPUCHÓN DE BUJÍA          |
| 4  | 15901019830 | 1 | SPARK PLUG -- BPM-8Y                 | BUJÍA -- BPM-8Y                      |
| 4  | A425000000  | 1 | SPARK PLUG -- BPMR-8Y <sup>(1)</sup> | BUJÍA -- BPMR-8Y <sup>(1)</sup>      |
| 5  | A426000010  | 1 | TERMINAL, SPARK PLUG CAP             | TERMINAL, CAPUCHÓN DE BUJÍA          |
| 6  | A427000013  | 1 | CAP, SPARK PLUG                      | TAPA, BUJÍA                          |
| 7  | 15011242030 | 1 | COVER, IGNITION                      | ANILLO DE GOMA                       |
| 8  | A411000110  | 1 | COIL, IGNITION                       | BOBINA, IGNICIÓN                     |
| 9  | 90051500008 | 1 | NUT - 8 -- FLANGE                    | TUERCA, DE BRIDA - 8                 |
| 10 | A409000130  | 1 | FLYWHEEL                             | VOLANTE                              |
| 11 | 90074       |   | RePower TUNE-UP KIT                  | KIT DE PUESTA A PUNTO                |
| 11 | 90074C      |   | RePower TUNE-UP KIT <sup>(1)</sup>   | KIT DE PUESTA A PUNTO <sup>(1)</sup> |

(FOOTNOTE) 1 - CANADA MODELS

(NOTA DEL PIE) 1 - MODELOS DE CANADÁ

Taladro Motorizados Reversibles

Chuck, Clutch, Gear Case  
Mandril, Embrague, Caja de Angranajes

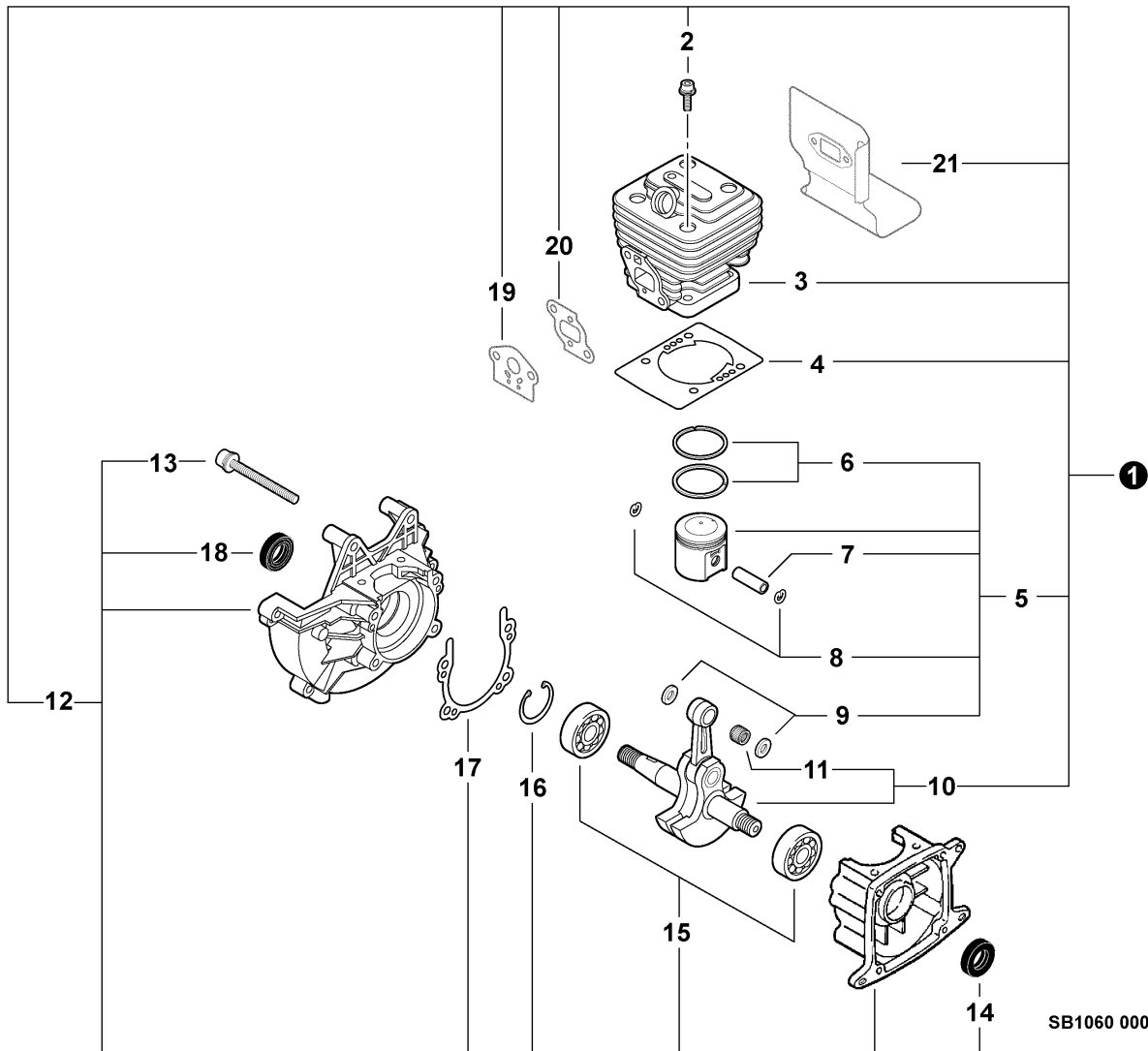


080 0001 000

|    |              |   |                                 |                                |
|----|--------------|---|---------------------------------|--------------------------------|
| ①  | 90016205018  | 4 | SCREW - 5X18                    | TORNILLO - 5X18                |
| 2  | 90010010015  | 1 | BOLT - 10X15                    | PERNO - 10X15                  |
| 3  | 90010506020  | 4 | SCREW - 5X18 <sup>(1)</sup>     | TORNILLO - 6X20 <sup>(1)</sup> |
| 4  | 17501404630  | 1 | WASHER - 6 <sup>(1)</sup>       | ARANDELA - 6 <sup>(1)</sup>    |
| 5  | 60405105560  | 1 | CHUCK - KEYED <sup>(1)</sup>    | MANDRIL <sup>(1)</sup>         |
| 6  | 89757005560  | 1 | KEY, CHUCK <sup>(1)</sup>       | LLAVE, MANDRIL <sup>(1)</sup>  |
| 7  | 89757505560  | 1 | CLAMP, CHUCK KEY <sup>(1)</sup> | RESORTE, PLANO <sup>(1)</sup>  |
| 8  | 9110306020   | 1 | BOLT - 6X20 <sup>(2)</sup>      | PERNO - 6X20 <sup>(2)</sup>    |
| 9  | X460000000   | 1 | CHUCK - KEYLESS <sup>(2)</sup>  | MANDRIL <sup>(2)</sup>         |
| 10 | 90016205050  | 4 | SCREW - 5X55                    | TORNILLO - 5X55                |
| 11 | 22431920960  | 1 | NUT - 12                        | TUERCA - 12                    |
| 12 | 90070200032  | 1 | RING, RETAINING - 32            | ANILLO, RETÉN - 32             |
| 13 | 90080206002  | 1 | BEARING, BALL - 6002            | COJINETE DE BOLAS - 6002       |
| 14 | 60404405560  | 1 | COLLAR                          | ESPACIADOR                     |
| 15 | 90080036002  | 1 | BEARING, BALL - 6002            | COJINETE DE BOLAS - 6002       |
| 16 | 35151522330  | 1 | GRIP, HANDLE                    | AGARRE, MANGO                  |
| 17 | C400000090   | 1 | HANDLE - LEFT                   | MANGO - DELANTERO              |
| 18 | 90060000010  | 1 | WASHER - 10                     | ARANDELA - 10                  |
| 19 | C531000182   | 1 | CASE, GEAR                      | CARCASA, ENGRANAJES            |
| 20 | 90070100015  | 2 | RING, RETAINING - 15            | ANILLO, RETÉN - 15             |
| 21 | 90070100012  | 1 | RING, RETAINING - 12            | ANILLO, RETÉN - 12             |
| 22 | V650000140   | 1 | GEAR, SPUR                      | ENGRANAJE RECTO                |
| 23 | P021005840   | 1 | CAM, CLUTCH ADJUSTER            | LEVA, AJUSTE DEL EMBRAGUE      |
| 24 | V650000130   | 1 | GEAR, SPUR                      | ENGRANAJE RECTO                |
| 25 | 90032504016  | 1 | KEY - 4X16                      | CHAVETA, WOODRUFF - 4X16       |
| 26 | 60602120960  | 1 | SHAFT, GEAR                     | EJE, ÁRBOL                     |
| 27 | 70300520960  | 1 | LEVER, CLUTCH                   | PALANCA, EMBRAGUE              |
| 28 | V204000070   | 1 | BOLT, SHAFT                     | PERNO, EMBRAGUE                |
| 29 | V650000150   | 1 | GEAR, SPUR                      | ENGRANAJE RECTO                |
| 30 | V305000020   | 1 | WASHER                          | ARANDELA                       |
| 31 | 60422105560  | 2 | BEARING, NEEDLE                 | COJINETE, DE AGUJAS            |
| 32 | 60422305560  | 2 | WASHER                          | ARANDELA                       |
| 33 | P021005820   | 1 | GEAR ASY                        | CONJUNTO DE ENGRANAJE          |
| 34 | P021005801   | 1 | GEAR CASE ASY                   | CONJUNTO DE CAJA DE ENGRANAJES |
| 35 | + V622000020 | 2 | PIN, LOCATING                   | PASADOR DE POSICIONAMIENTO     |
| 36 | A556000250   | 1 | DRUM, CLUTCH                    | TAMBOR, EMBRAGUE               |
| 37 | 90070200032  | 1 | RING, RETAINING - 32            | ANILLO, RETÉN - 32             |
| 38 | 90080106002  | 2 | BEARING, BALL - 6002D           | COJINETE DE BOLAS - 6002D      |
| 39 | P021005831   | 1 | FAN CASE ASY                    | CARCASA, VENTILADOR            |
| 40 | + V622000020 | 4 | PIN, LOCATING                   | PASADOR DE POSICIONAMIENTO     |
| 41 | 17504656030  | 2 | BOLT, SHAFT                     | PERNO, EMBRAGUE                |
| 42 | 17504956030  | 2 | WASHER - SPRING                 | ARANDELA - RESORTE             |
| 43 | 17504805530  | 2 | WASHER - 6                      | ARANDELA - 6                   |
| 44 | V451000090   | 1 | SPRING, CLUTCH                  | RESORTE, EMBRAGUE              |
| 45 | A553000010   | 2 | SHOE, CLUTCH                    | ZAPATA, EMBRAGUE               |

(FOOTNOTE) 1 - KEYED CHUCK MODELS  
 2 - KEYLESS CHUCK MODELS

(NOTA DEL PIE) 1 - MODELOS DE PORTABROCAS CON LLAVE  
 2 - MODELOS DE PORTABROCAS SIN LLAVE



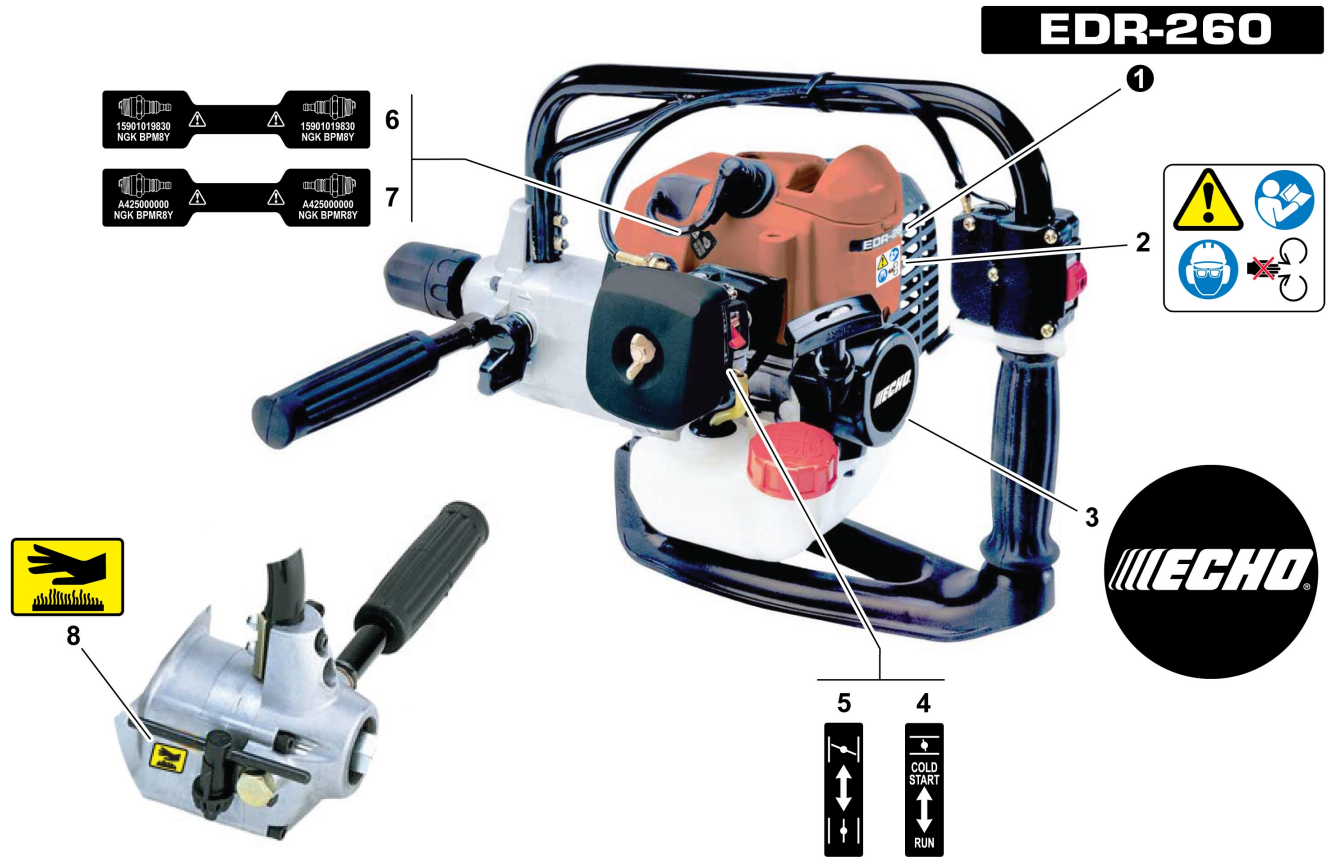
SB1060 0000 000

|          |               |   |                                  |                                  |
|----------|---------------|---|----------------------------------|----------------------------------|
| <b>1</b> | SB1060        | 1 | SHORT BLOCK -- SB1060            | BLOQUE CORTO -- SB1060           |
| 2        | + 90016205022 | 4 | SCREW - 5X22                     | TORNILLO - 5X22                  |
| 3        | + A130000371  | 1 | CYLINDER                         | CILINDRO                         |
| 4        | + V100000070  | 1 | GASKET, CYLINDER <sup>(1)</sup>  | JUNTA, CILINDRO <sup>(1)</sup>   |
| 5        | + P021004740  | 1 | PISTON KIT                       | KIT DE PISTÓN                    |
| 6        | + A101000010  | 2 | RING, PISTON                     | ANILLO, PISTÓN                   |
| 7        | + V606000000  | 1 | PIN, PISTON                      | PASADOR, PISTÓN                  |
| 8        | + 10001504630 | 2 | RING, RETAINING                  | ANILLO, RETÉN                    |
| 9        | + 10001455930 | 2 | SPACER, PISTON                   | ESPACIADOR, PISTÓN               |
| 10       | + A011001110  | 1 | CRANKSHAFT ASY                   | CONJUNTO DE CIGÜEÑAL             |
| 11       | + V553000020  | 1 | BEARING, NEEDLE                  | COJINETE, DE AGUJAS              |
| 12       | + P021000941  | 1 | CRANKCASE KIT                    | KIT DE CÁRTER                    |
| 13       | + 90016205025 | 4 | SCREW - 5X25                     | TORNILLO - 5X25                  |
| 14       | + V505000020  | 1 | SEAL, OIL - 12                   | SELLO, ACEITE - 12               |
| 15       | + 90080036001 | 2 | BEARING, BALL - 6001             | COJINETE DE BOLAS - 6001         |
| 16       | + 90070200028 | 1 | RING, RETAINING - 28             | ANILLO, RETÉN - 28               |
| 17       | + 10024255930 | 1 | GASKET, CRANKCASE <sup>(1)</sup> | JUNTA, CÁRTER <sup>(1)</sup>     |
| 18       | + 10021228230 | 1 | SEAL, OIL                        | SELLO, ACEITE                    |
| 19       | + -----       | 1 | GASKET, INTAKE <sup>(1)</sup>    | JUNTA, ADMISIÓN <sup>(1)</sup>   |
| 20       | + -----       | 1 | GASKET, INTAKE <sup>(1)</sup>    | JUNTA, ADMISIÓN <sup>(1)</sup>   |
| 21       | + -----       | 1 | SHIELD, EXHAUST <sup>(1)</sup>   | PROTECTOR, ESCAPE <sup>(1)</sup> |

(FOOTNOTE) 1 - Included In GASKET KIT

(NOTA DEL PIE) 1 - Includo en KIT de la JUNTA



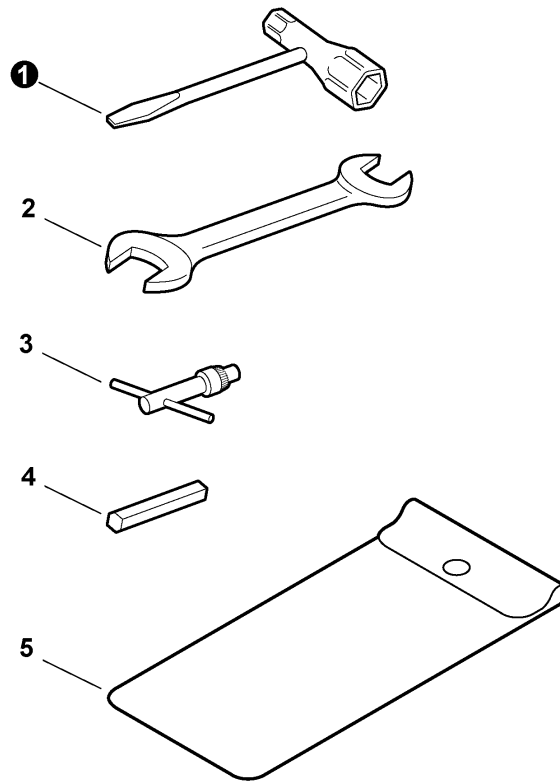


100 0162 000

|   |             |   |  |  |
|---|-------------|---|--|--|
| 1 | X503009440  | 1 | LABEL - MODEL -- EDR-260                     | ETIQUETA - MODELO -- EDR-260               |
| 2 | X505002310  | 1 | LABEL - CAUTION -- HOT                       | ETIQUETA - PRECAUCIÓN -- CALIENTE          |
| 3 | X502000330  | 1 | LABEL - ECHO                                 | ETIQUETA - ECHO                            |
| 4 | 89012152730 | 1 | LABEL - CHOKE                                | ETIQUETA - AHOGADOR                        |
| 5 | 89033252730 | 1 | LABEL - CHOKE <sup>(1)</sup>                 | ETIQUETA - AHOGADOR <sup>(1)</sup>         |
| 6 | X532000671  | 1 | LABEL - SPARK PLUG -- BPM-8Y                 | ETIQUETA - BUJÍA -- BPM-8Y                 |
| 7 | X532000720  | 1 | LABEL - SPARK PLUG -- BPMR-8Y <sup>(1)</sup> | ETIQUETA - BUJÍA -- BPMR-8Y <sup>(1)</sup> |
| 8 | X505002310  | 1 | LABEL - CAUTION -- HOT                       | ETIQUETA - PRECAUCIÓN -- CALIENTE          |

(FOOTNOTE) 1 - CANADA MODELS

(NOTA DEL PIE) 1 - MODELOS DE CANADÁ



200 0030 000

|   |             |   |                    |                            |
|---|-------------|---|--------------------|----------------------------|
| 1 | 89541003931 | 1 | T-WRENCH - 10X19mm | LLAVE DE TUERCAS - 10X19mm |
| 2 | 89512220960 | 1 | SPANNER - 17X19mm  | LLAVE DE TUERCAS, ABIERTA  |
| 3 | 89757005560 | 1 | KEY, CHUCK         | LLAVE, MANDRIL             |
| 4 | 89541220960 | 1 | BAR, HEX           | BARRA HEX                  |
| 5 | 89851039130 | 1 | BAG, TOOL          | BOLSA DE HERRAMIENTAS      |



Taladro Motorzados Reversibles

**P021003970 Gasket Kit**  
**P021003970 Kit de Juntas**

| <b>Use Gasket Kit</b> | <b>Contains:</b> | <b>Service Number</b> | <b>Description</b> |
|-----------------------|------------------|-----------------------|--------------------|
| P021003970            |                  | 10024255930           | GASKET, CRANKCASE  |
|                       |                  | 13001013410           | GASKET, INTAKE     |
|                       |                  | 13001055930           | GASKET, INTAKE     |
|                       |                  | 14586642031           | GASKET, EXHAUST    |
|                       |                  | V100000070            | GASKET, CYLINDER   |
|                       |                  | V104000061            | SHIELD, EXHAUST    |
|                       |                  | V104000360            | GASKET, EXHAUST    |
|                       |                  |                       |                    |

300 0015 000

---

|          |                   |          |                   |                      |
|----------|-------------------|----------|-------------------|----------------------|
| <b>1</b> | <b>P021003970</b> | <b>1</b> | <b>GASKET KIT</b> | <b>KIT DE JUNTAS</b> |
|----------|-------------------|----------|-------------------|----------------------|

---

**90008 RePower FILTER KIT**

---

| contains:                      | qty: |
|--------------------------------|------|
| --- FILTER, AIR - DOUBLE LAYER | 1    |
| --- FILTER, FUEL               | 1    |

**90008 KIT del FILTRO de la RePower**

---

| Incluye:                        | cant: |
|---------------------------------|-------|
| --- FILTRO DE AIRE - CAPA DOBLE | 1     |
| --- FILTRO DE COMBUSTIBLE       | 1     |

**90008 KIT de FILTRE de pouvoir de RePower**

---

| Inclut:                         | qte: |
|---------------------------------|------|
| --- FILTRE, AIR - COUCHE DOUBLE | 1    |
| --- FILTRE, ESSENCE             | 1    |

**90008 JOGO do FILTRO do RePower**

---

| Inclui:                       | quant: |
|-------------------------------|--------|
| --- FILTRO, AR - CAMADA DUPLA | 1      |
| --- FILTRO, COMBUSTÍVEL       | 1      |

90008



90008

1 RePower FILTER KIT

KIT DE FILTRACIÓN

---

**90010 RePower CAP AND VENT KIT**

---

| contains:       | qty: |
|-----------------|------|
| --- CAP         | 1    |
| --- GASKET, CAP | 1    |
| --- VENT ASY    | 1    |

**90010 KIT del CASQUILLO Y del RESPIRADERO de la RePower**

---

| Incluye:                    | cant: |
|-----------------------------|-------|
| --- TAPA                    | 1     |
| --- JUNTA, TAPA             | 1     |
| --- CONJUNTO DE RESPIRADERO | 1     |

**90010 KIT de CAP ET d'ÉVENT de pouvoir de RePower**

---

| Inclut:             | qte: |
|---------------------|------|
| --- CAPUCHON        | 1    |
| --- JOINT, CAPUCHON | 1    |
| --- ASS. ÉVENT      | 1    |

**90010 JOGO do TAMPÃO E do RESPIRADOURO do RePower**

---

| Inclui:                | quant: |
|------------------------|--------|
| --- TAMPA              | 1      |
| --- VEDAÇÃO, TAMPA     | 1      |
| --- CJTO DO VENTILADOR | 1      |

90010



90010

1 RePower CAP/VENT KIT

KIT REPOWER DE TAPA Y RESPIRADERO

**90074 RePower TUNE-UP KIT**

| contains: |                            | qty: |
|-----------|----------------------------|------|
| ---       | FILTER, AIR - DOUBLE LAYER | 1    |
| ---       | FILTER, FUEL               | 1    |
| ---       | SPARK PLUG -- BPM-8Y       | 1    |

**90074 KIT del AJUSTE de la RePower**

| Incluye: |                             | cant: |
|----------|-----------------------------|-------|
| ---      | FILTRO DE AIRE - CAPA DOBLE | 1     |
| ---      | FILTRO DE COMBUSTIBLE       | 1     |
| ---      | BUJÍA -- BPM-8Y             | 1     |

**90074 KIT de MISE AU POINT de pouvoir de RePower**

| Inclut: |                             | qte: |
|---------|-----------------------------|------|
| ---     | FILTRE, AIR - COUCHE DOUBLE | 1    |
| ---     | FILTRE, ESSENCE             | 1    |
| ---     | BOUGIE D'ALLUMAGE -- BPM-8Y | 1    |

**90074 JOGO do AJUSTE do RePower**

| Inclui: |                           | quant: |
|---------|---------------------------|--------|
| ---     | FILTRO, AR - CAMADA DUPLA | 1      |
| ---     | FILTRO, COMBUSTÍVEL       | 1      |
| ---     | VELA DE IGNIÇÃO -- BPM-8Y | 1      |

**CANADA MODELS**
**90074C RePower TUNE-UP KIT**

| contains: |                            | qty: |
|-----------|----------------------------|------|
| ---       | FILTER, AIR - DOUBLE LAYER | 1    |
| ---       | FILTER, FUEL               | 1    |
| ---       | SPARK PLUG -- BPMR-8Y      | 1    |

**90074C KIT del AJUSTE de la RePower**

| Incluye: |                             | cant: |
|----------|-----------------------------|-------|
| ---      | FILTRO DE AIRE - CAPA DOBLE | 1     |
| ---      | FILTRO DE COMBUSTIBLE       | 1     |
| ---      | BUJÍA -- BPMR-8Y            | 1     |

**90074C KIT de MISE AU POINT de pouvoir de RePower**

| Inclut: |                              | qte: |
|---------|------------------------------|------|
| ---     | FILTRE, AIR - COUCHE DOUBLE  | 1    |
| ---     | FILTRE, ESSENCE              | 1    |
| ---     | BOUGIE D'ALLUMAGE -- BPMR-8Y | 1    |

**90074C JOGO do AJUSTE do RePower**

| Inclui: |                            | quant: |
|---------|----------------------------|--------|
| ---     | FILTRO, AR - CAMADA DOPLA  | 1      |
| ---     | FILTRO, COMBUSTÍVEL        | 1      |
| ---     | VELA DE IGNIÇÃO -- BPMR-8Y | 1      |

90074

|          |               |          |  |  |
|----------|---------------|----------|--|--|
| <b>1</b> | <b>90074</b>  | <b>1</b> | <b>RePower TUNE-UP KIT</b>               | <b>KIT DE PUESTA A PUNTO</b>               |
| <b>1</b> | <b>90074C</b> | <b>1</b> | <b>RePower TUNE-UP KIT<sup>(1)</sup></b> | <b>KIT DE PUESTA A PUNTO<sup>(1)</sup></b> |

(FOOTNOTE) 1 - CANADA MODELS

(NOTA DEL PIE) 1 - MODELOS DE CANADÁ

**90104 RePower FUEL SYSTEM KIT**

| contains:                   | qty: |
|-----------------------------|------|
| --- CLIP - 6.5              | 2    |
| --- FILTER, FUEL            | 1    |
| --- GROMMET                 | 1    |
| --- PIPE - 3X6X115 -- BLACK | 1    |
| --- PIPE - 3X6X170 -- BLACK | 1    |
| --- PIPE - 3X6X80 -- CLEAR  | 1    |
| --- VENT ASY                | 1    |

**90104 KIT de d'INSTALLATION CARBURANT de RePower**

| Inclut:                     | qte: |
|-----------------------------|------|
| --- ANNEAU - 6.5            | 2    |
| --- FILTRE, ESSENCE         | 1    |
| --- OEILLET                 | 1    |
| --- TUYAU - 3X6X115 -- NOIR | 1    |
| --- TUYAU - 3X6X170 -- NOIR | 1    |
| --- TUYAU - 3X6X80 -- CLAIR | 1    |
| --- ASS. ÉVENT              | 1    |

**90104 KIT del SISTEMA de CARBURANTE de la RePower**

| Incluye:                          | cant: |
|-----------------------------------|-------|
| --- GANCHO - 6.5                  | 2     |
| --- FILTRO DE COMBUSTIBLE         | 1     |
| --- ANILLO DE GOMA                | 1     |
| --- TUBO - 3X6X115 -- NEGRO       | 1     |
| --- TUBO - 3X6X170 -- NEGRO       | 1     |
| --- TUBO - 3X6X80 -- TRANSPARENTE | 1     |
| --- CONJUNTO DE RESPIRADERO       | 1     |

**90104 JOGO do SISTEMA de COMBUSTÍVEL do RePower**

| Inclui:                           | quant: |
|-----------------------------------|--------|
| --- PRESILHA - 6.5                | 2      |
| --- FILTRO, COMBUSTÍVEL           | 1      |
| --- OLHAL                         | 1      |
| --- TUBO - 3X6X115 -- PRETO       | 1      |
| --- TUBO - 3X6X170 -- PRETO       | 1      |
| --- TUBO - 3X6X80 -- TRANSPARENTE | 1      |
| --- CJTO DO VENTILADOR            | 1      |

90104



90104

1 RePower FUEL SYSTEM KIT

KIT DEL SISTEMA DE CARBURANTE

## PART NUMBER INDEX - ÍNDICE DEL NÚMERO DE PARTE

*Click The Page Number After Any Part Number To View The Diagram Containing That Part*  
*Chasque la página después de cualquier número de parte para ver el diagrama que contiene esa parte*

| Part Number | Page     | Part Number | Page             | Part Number | Page  |
|-------------|----------|-------------|------------------|-------------|-------|
| -----       | 5, 7, 15 | 60602120960 | 14               | A426000010  | 12    |
| 10001455930 | 15       | 70300520960 | 14               | A427000013  | 12    |
| 10001504630 | 15       | 89012152730 | 16               | A429000000  | 12    |
| 10021228230 | 15       | 89033252730 | 16               | A553000010  | 14    |
| 10024255930 | 15       | 89512220960 | 17               | A556000250  | 14    |
| 12311005560 | 7        | 89541003931 | 17               | C400000090  | 14    |
| 12311440630 | 7        | 89541220960 | 17               | C410000160  | 4     |
| 12313440030 | 7        | 89757005560 | 14, 17           | C450000150  | 4     |
| 12313905560 | 7        | 89757505560 | 14               | C531000182  | 14    |
| 12314205560 | 7        | 89851039130 | 17               | P003000180  | 7     |
| 12314954230 | 7        | 90008       | 5, 9, 10, 19     | P003000190  | 7     |
| 12317245130 | 7        | 90010       | 9, 10, 20        | P003000200  | 7     |
| 12317307930 | 7        | 90010010015 | 14               | P003000870  | 7     |
| 12318005560 | 7        | 90010505055 | 8                | P003001050  | 7     |
| 12318140630 | 7        | 90010506020 | 14               | P021000941  | 15    |
| 12901152730 | 5        | 90010605012 | 8                | P021000991  | 5     |
| 13001013410 | 5        | 90010605016 | 3, 4             | P021003970  | 18    |
| 13001055930 | 5        | 90016205016 | 12               | P021004480  | 5     |
| 13001756431 | 5        | 90016205018 | 14               | P021004740  | 15    |
| 13031054130 | 5        | 90016205022 | 15               | P021005770  | 8     |
| 13031305863 | 5        | 90016205025 | 5, 15            | P021005801  | 14    |
| 13031306563 | 5        | 90016205035 | 4                | P021005820  | 14    |
| 13100455530 | 9, 10    | 90016205050 | 14               | P021005831  | 14    |
| 13100555932 | 9, 10    | 90023905016 | 9, 10            | P021005840  | 14    |
| 13101655830 | 9, 10    | 90024204010 | 8                | SB1060      | 15    |
| 13104528230 | 9, 10    | 90024205060 | 5                | V043000010  | 4     |
| 13105156030 | 9, 10    | 90024504025 | 4                | V100000070  | 15    |
| 13120519831 | 9, 10    | 90024504030 | 4                | V104000003  | 8     |
| 13201052030 | 9        | 90032504016 | 14               | V104000061  | 8     |
| 13201056030 | 10       | 90050200006 | 4                | V186000520  | 10    |
| 13201256030 | 9, 10    | 90050200008 | 11               | V204000070  | 14    |
| 13201326630 | 9        | 90051500008 | 12               | V305000020  | 14    |
| 13211555930 | 9, 10    | 90056000005 | 4                | V353000020  | 3     |
| 14586240630 | 8        | 90056500005 | 11               | V451000090  | 14    |
| 14587642030 | 8        | 90060000010 | 14               | V471000110  | 9, 10 |
| 15011242030 | 12       | 90060200005 | 4, 8             | V471003710  | 10    |
| 15901019830 | 12       | 90070000004 | 11               | V491001230  | 10    |
| 16201056430 | 12       | 90070100012 | 14               | V505000020  | 15    |
| 16340004460 | 4        | 90070100015 | 14               | V553000020  | 15    |
| 17501404630 | 14       | 90070200028 | 15               | V606000000  | 15    |
| 17504656030 | 14       | 90070200032 | 14               | V622000020  | 14    |
| 17504805530 | 14       | 90074       | 5, 9, 10, 12, 21 | V650000130  | 14    |
| 17504956030 | 14       | 90074C      | 5, 9, 10, 12, 21 | V650000140  | 14    |
| 17720055931 | 11       | 90080036001 | 15               | V650000150  | 14    |
| 17721540630 | 11       | 90080036002 | 14               | X460000000  | 14    |
| 17721840630 | 11       | 90080106002 | 14               | X502000330  | 16    |
| 17722040630 | 11       | 90080206002 | 14               | X503009440  | 16    |
| 17722603930 | 11       | 90104       | 9, 22            | X505002310  | 16    |
| 17722742030 | 11       | 9110306020  | 14               | X532000671  | 16    |
| 17722827030 | 11       | 9112604012  | 11               | X532000720  | 16    |
| 17723440630 | 11       | A011001110  | 15               |             |       |
| 17723644330 | 11       | A021000672  | 7                |             |       |
| 17724611120 | 11       | A052000030  | 11               |             |       |
| 17801202061 | 4        | A101000010  | 15               |             |       |
| 17801302060 | 4        | A130000371  | 15               |             |       |
| 17802401261 | 4        | A160000471  | 3                |             |       |
| 17804301260 | 4        | A160001130  | 3                |             |       |
| 17805201261 | 4        | A161000060  | 3                |             |       |
| 17807002061 | 4        | A161000090  | 3                |             |       |
| 17812156030 | 4        | A175000021  | 4                |             |       |
| 21041752730 | 5        | A226001410  | 5                |             |       |
| 22431920960 | 14       | A313000041  | 8                |             |       |
| 35131527931 | 4        | A320000220  | 8                |             |       |
| 35151522330 | 14       | A356000030  | 9                |             |       |
| 60404405560 | 14       | A356000031  | 10               |             |       |
| 60405105560 | 14       | A409000130  | 12               |             |       |
| 60422105560 | 14       | A411000110  | 12               |             |       |
| 60422305560 | 14       | A425000000  | 12               |             |       |