



PARTS CATALOG

POWER EDGER

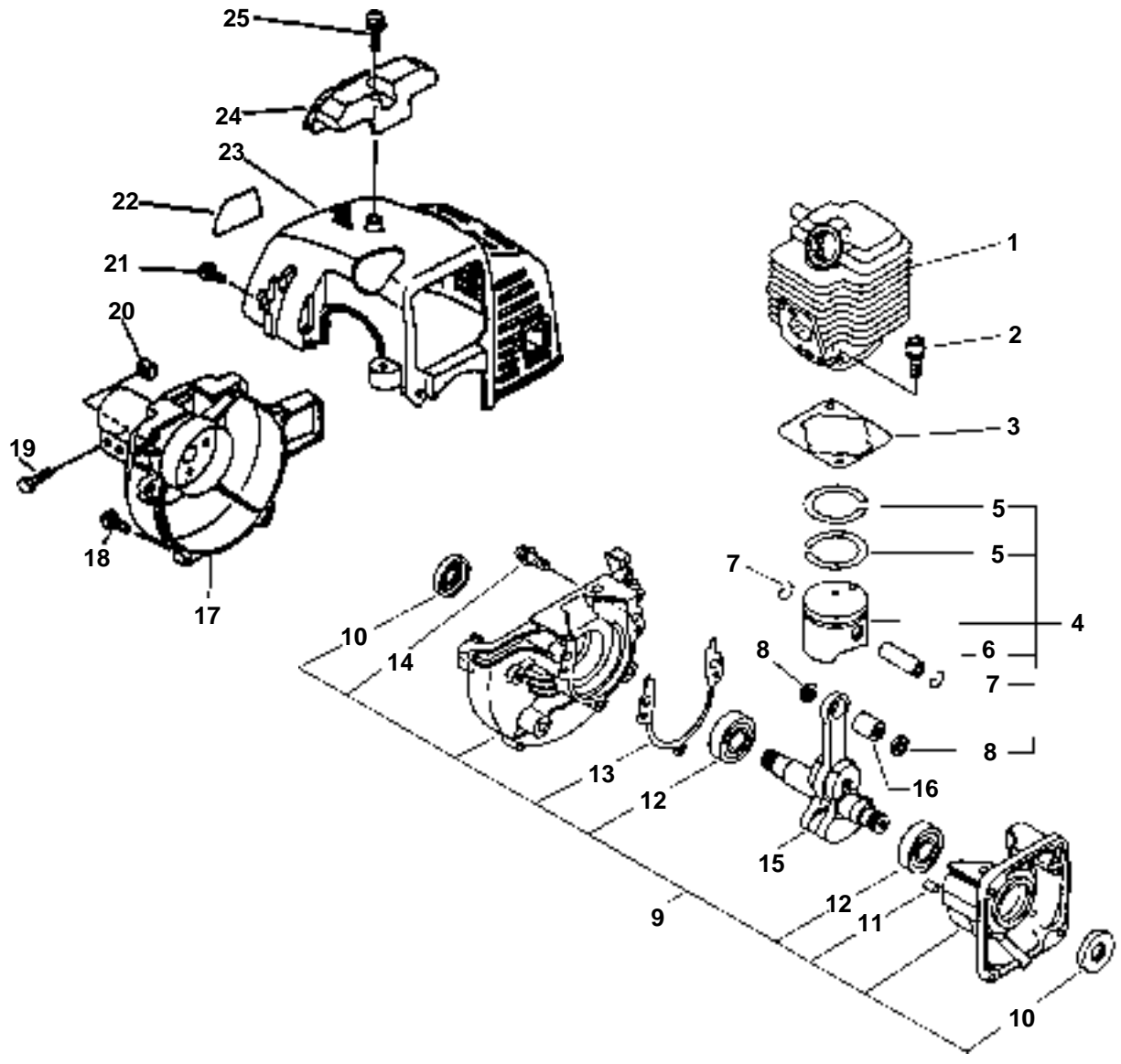
MODEL PE-2000 TYPE 2E

SERIAL NUMBERS: 001001 & UP

ECHO, INCORPORATED

400 OAKWOOD ROAD
LAKE ZURICH, ILLINOIS 60047
WWW.ECHO-USA.COM

PE-2000 TYPE 2E ENGINE, EXTERNAL/INTERNAL, CRANKCASE, FAN HOUSING, CYLINDER COVER

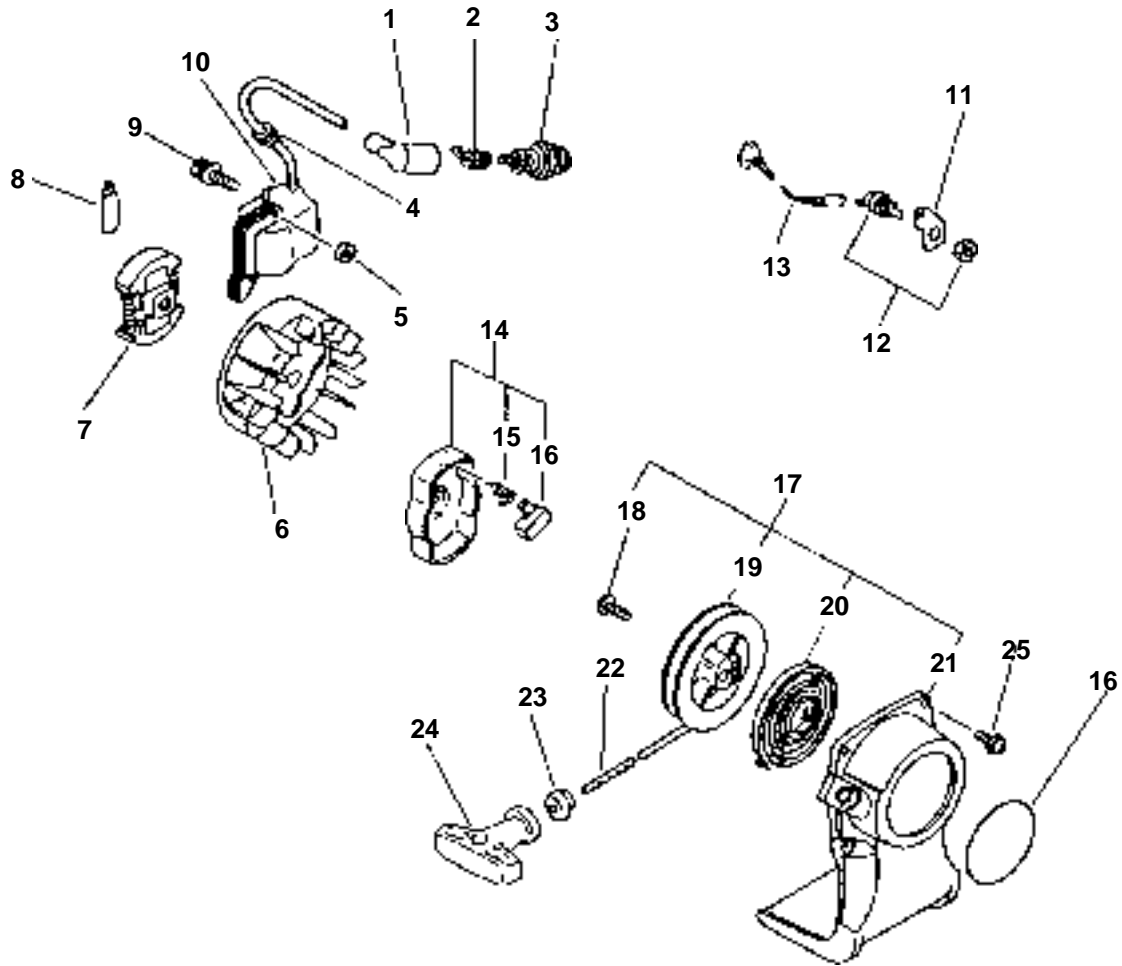


ENGINE, EXTERNAL/INTERNAL, CRANKCASE, FAN HOUSING, CYLINDER COVER PE-2000 TYPE 2E

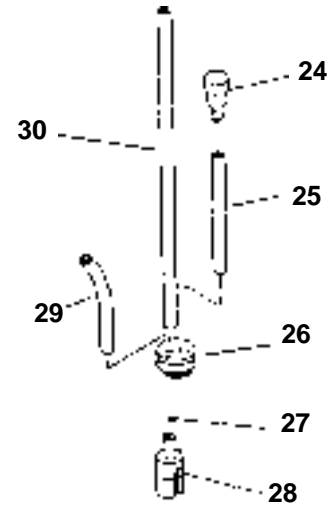
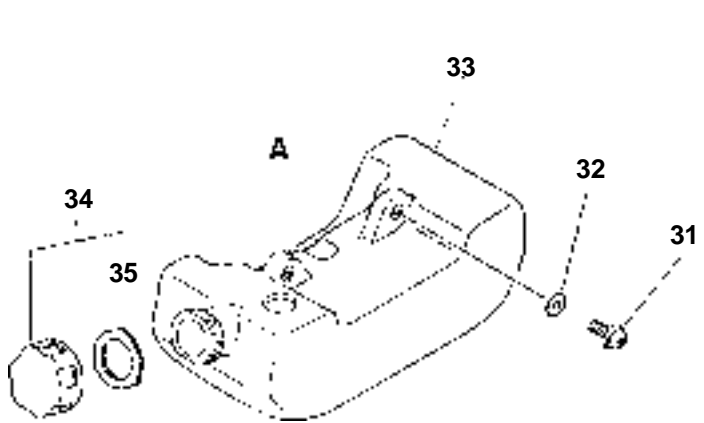
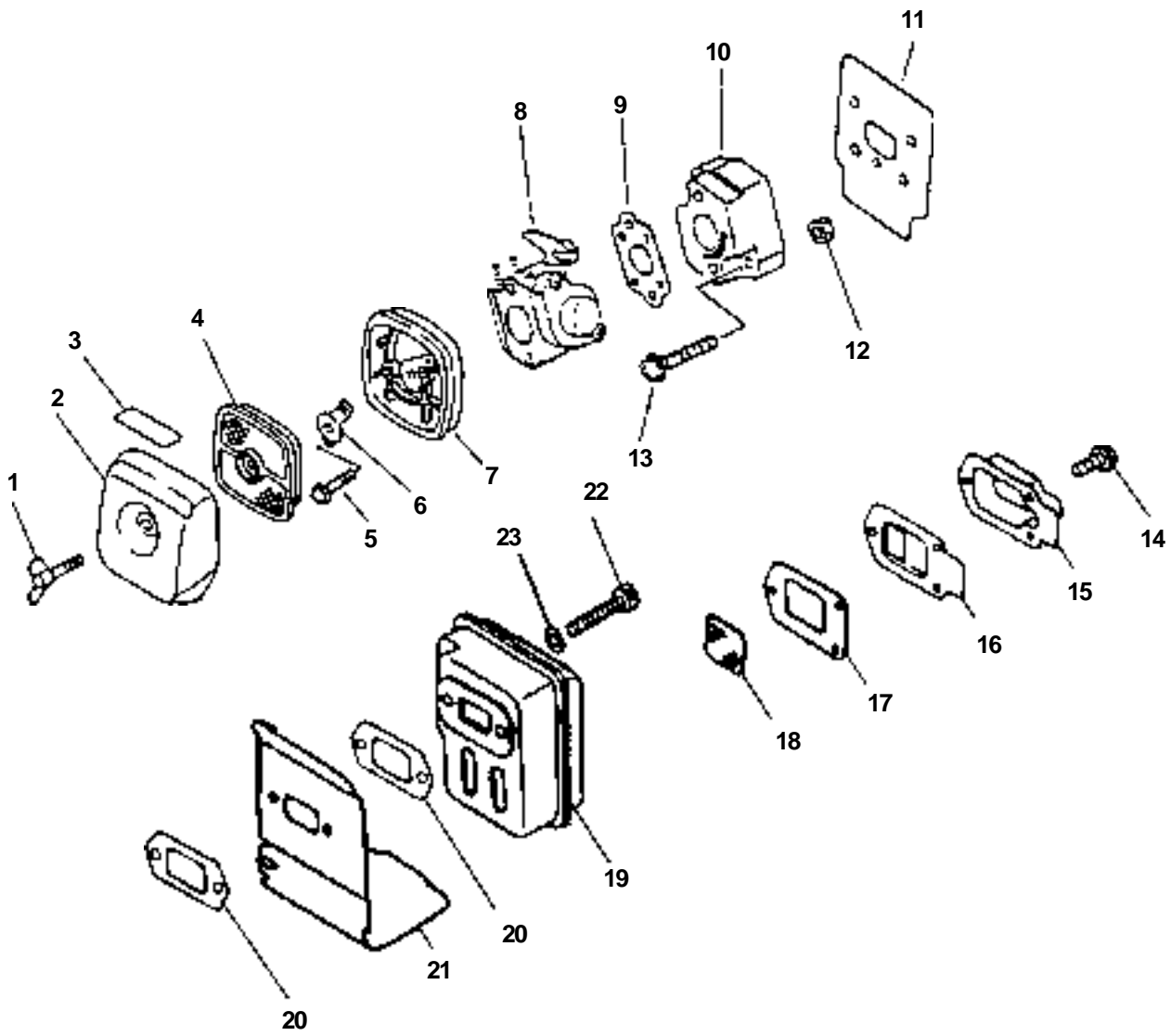
KEYPARTNUMBER	QTY	DESCRIPTION	REMARKS	
1	10101106562	1	CYLINDER	S/N 001001 - 522074
1	A130000010	1	CYLINDER	S/N 522075 & UP
2	90016205022	2	BOLT, H.S. 5X22	
3	10101044332	1	GASKET, CYLINDER BASE	USE KIT 88900042032
4	P021001101	1	PISTONKIT	INCLUDES ITEMS 5 - 8
5	A101000000	2	RING, PISTON	
6	10001311520	1	PIN, PISTON	
7	10001504630	2	CIRCLIP, PISTON PIN	
8	10001411520	2	SPACER, PISTON PIN	
9	-----	1	CRANKCASE KIT	INCLUDES ITEMS 10 - 14 (USE SB1026)
10	10021242030	2	OILSEAL	
11	10021503930	2	PIN, DOWEL	
12	90081036201	2	BEARING, BALL 6201	
13	-----	1	GASKET, CRANKCASE	USE KIT 88900042032
14	90016205028	3	BOLT, H.S. 5X28	
15	-----	1	CRANKSHAFT ASY	INCLUDES ITEM 16 (USE SB1026)
16	10001251230	1	BEARING, NEEDLE	
17	10150356630	1	COVER, FAN	
18	90016205014	4	BOLT, H.S. 4X18	
19	90014205028	2	BOLT 5X28	
20	90056500005	2	NUT 5	
21	90025304012	2	SCREW 4X12	
22	89011255330	1	LABEL, MODEL	
23	10151448730	1	COVER, CYLINDER	
24	15991248630	1	GUARD, TOP	
25	90025305016	1	SCREW 5X16	

ENGINE RE POWER

SB1026	1	SHORT BLOCK	INCLUDES FACTORY ASSEMBLED CYLINDER, CRANKCASE, PISTON, CRANKSHAFT, BEARINGS AND SEALS
88900042032	1	GASKET KIT	INCLUDES THE FOLLOWING ITEMS
10101044332	1	GASKET, CYLINDER BASE	
-----	1	GASKET, CRANKCASE	
13001642031	1	GASKET, INTAKE	
13001042032	1	GASKET, INTAKE	
14586642031	1	GASKET, MUFFLER LID	
14551042031	2	GASKET, MUFFLER	
V104000001	1	GASKET, MUFFLER LID	

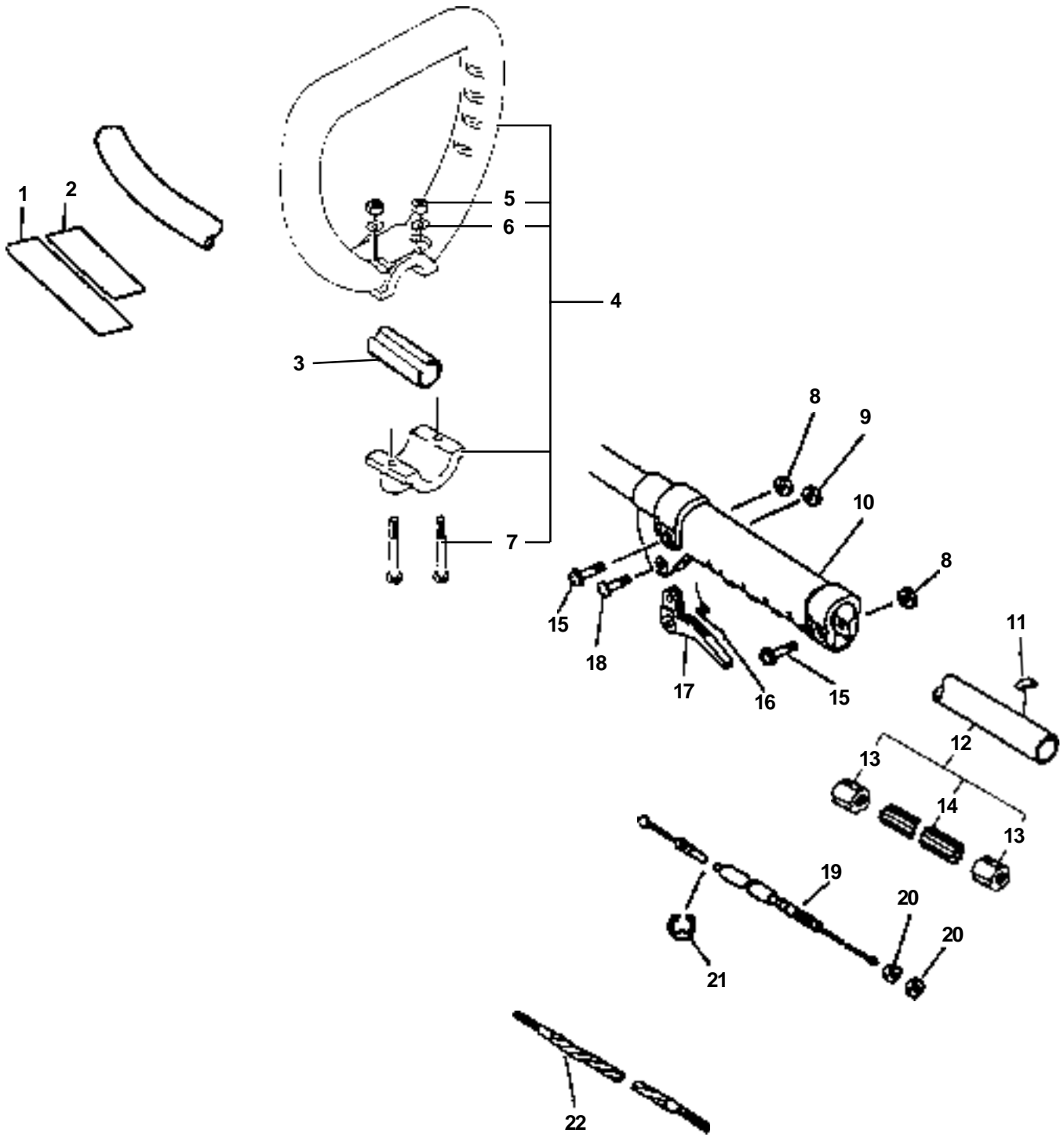


KEYPARTNUMBER	QTY	DESCRIPTION	REMARKS	
1	15901201620	1	CAP, SPARK PLUG	
2	15901103432	1	COIL, SPARK PLUG CAP	
3	15901010630	1	PLUG, SPARK BPM-7A	
4	15011244330	1	GROMMET, H.T. CORD	
5	10153154330	2	COLLAR	S/N 001001 - 527888
6	15880020560	1	FLYWHEEL	S/N 001001 - 527888
6	A409000000	1	FLYWHEEL	S/N 527889 & UP
7	17500056830	1	CLUTCHASY	
8	15911621231	1	CLAMP	
9	90016204022	2	SCREW 4X22	
10	15862655331	1	COIL, IGNITION	S/N 001001 - 527888
10	15660152130	1	COIL, IGNITION	S/N 527889 & UP
11	16381044330	1	BRACKET, SWITCH	
12	16340003460	1	SWITCH, IGNITION	
13	16201006861	1	LEAD	
14	17720244330	1	PAWL ASY, STARTER	INCLUDES ITEMS 15 & 16
15	17723442030	1	SPRING, RETURN	
16	17721844330	1	PAWL, STARTER	
17	17720054130	1	STARTERASY	INCLUDES ITEMS 18 - 24
18	17723644330	1	SCREW	
19	17721544430	1	DRUM, STARTER	
20	17722042030	1	SPRING, REWIND	
21	17723244333	1	CASE. STARTER	
22	-----	1	ROPE, STARTER	USE BULK ROPE 99944400040 DIA. 3MM (.12 IN.) X 1000MM (39. IN.)
23	17722742030	1	GUIDE, ROPE	
24	17722806530	1	GRIP, STARTER	
25	90016204016	4	SCREW 4X16	
26	89011849130	1	LABEL. ECHO	

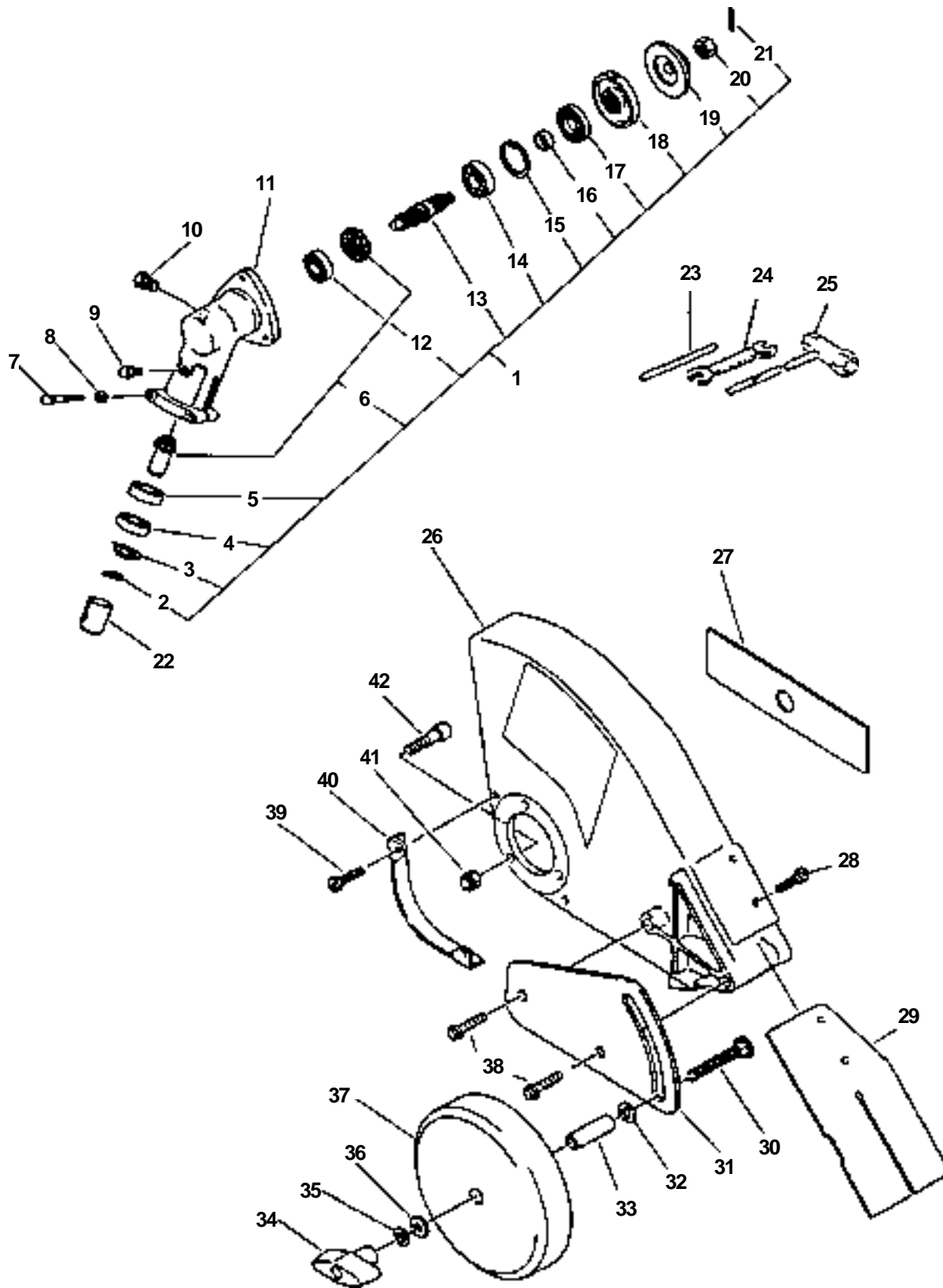


A

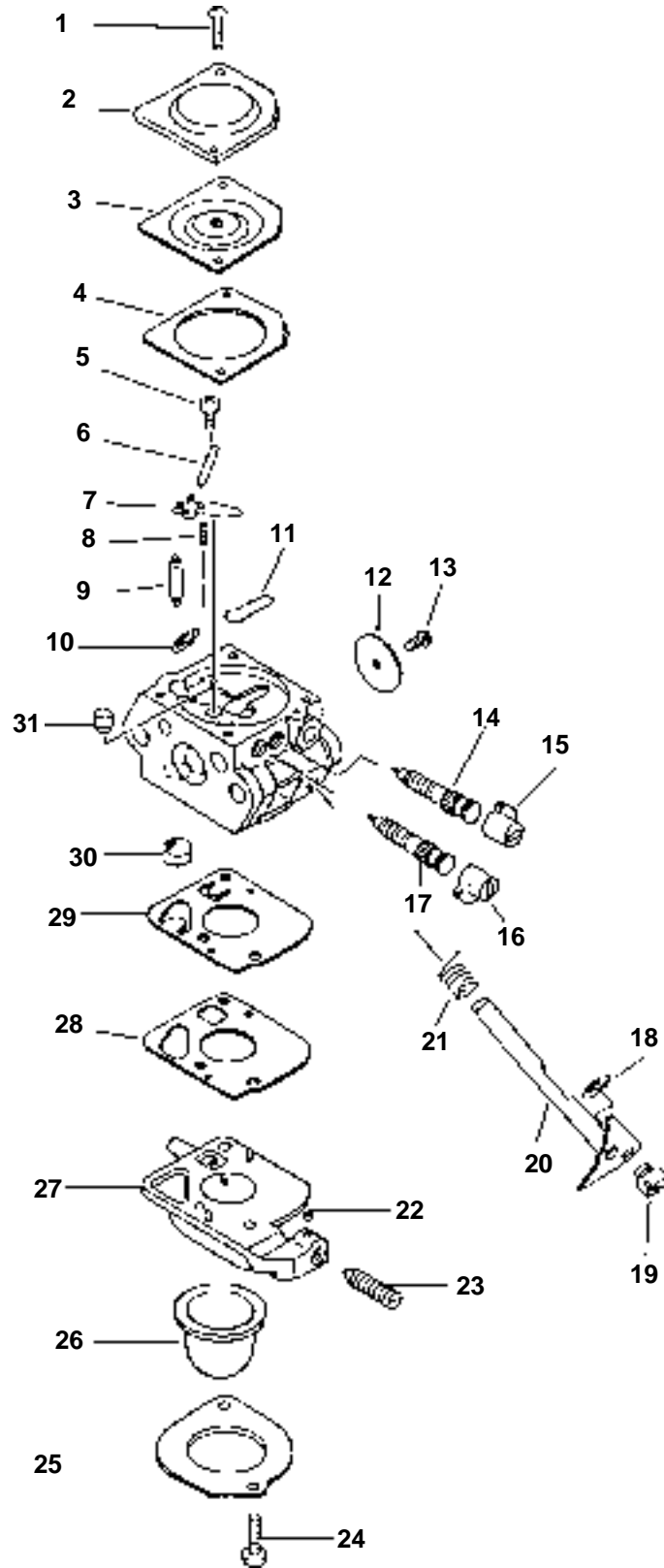
KEYPARTNUMBER	QTY	DESCRIPTION	REMARKS
1	1	BOLT, WING	
2	1	COVER, AIR CLEANER	
3	1	LABEL, CHOKE	
4	1	FILTER, AIR	INCLUDED IN KIT 90008
5	2	SCREW 5X65	
6	1	PLATE, PREVENT	
7	1	CASE, AIR CLEANER	
8	1	CARBURETOR C1U-K52	
9	1	GASKET, INTAKE	INCLUDED IN GASKET KIT 88900042032
10	1	INSULATOR	
11	1	GASKET, INTAKE	INCLUDED IN GASKET KIT 88900042032
12	2	NUT 5	
13	2	SCREW 5X20	
14	3	SCREW 4X10	
15	1	FIXTURE, SCREEN	S/N 001001 - 522074
15	1	FIXTURE, SCREEN	S/N 522075 & UP
16	1	LID, MUFFLER	
17	1	GASKET, MUFFLER LID S/N 001001 - 522074	INCLDINGASKETKIT88900042032
17	1	GASKET, MUFFLER LID S/N 522075 & UP	INCLDINGASKETKIT88900042032
18	1	SCREEN, MUFFLER	
19	1	MUFFLER	
20	2	GASKET, MUFFLER	INCLUDED IN GASKET KIT 88900042032
21	1	COVER, MUFFLER	
22	2	BOLT, H.S. 5X55	
23	2	WASHER 5	
24	1	VENT ASY	INCLUDED IN KIT 90010
25	1	PIPE 3X5X70	
26	1	GROMMET, FUEL	
27	1	CLIP	
28	1	STRAINER, FUEL	INCLUDED IN KIT 90008
29	1	PIPE	
30	1	PIPE, FUEL	
31	2	SCREW 5X16	
32	2	WASHER 5	
33	1	TANK, FUEL	
34	1	CAP ASY, FUEL	INCLUDES ITEM 35 (INCLUDED IN KIT 90010)
35	1	GASKET, FUEL TANK CAP	



KEYPARTNUMBER	QTY	DESCRIPTION	REMARKS	
1	89016025560	1	LABEL, CAUTION	
2	89017740630	1	LABEL, CAUTION	
3	35133008930	1	COLLAR	
4	35120108930	2	HANDLE ASY	INCLUDES ITEMS 5 - 7
5	90050000005	2	NUT 5	
6	90060000005	2	WASHER 5	
7	90022005040	2	BOLT 5X40	
8	90050000005	2	NUT 5	
9	90056000005	1	LOCKNUT 5	
10	35121344330	1	GRIP, HANDLE	
11	89015204930	1	LABEL, CAUTION	
12	61020655330	1	DRIVE SHAFT HOUSING ASY	INCLUDES ITEMS 13 & 14
13	61024655330	2	FIXTURE, LINER	
14	61021755330	1	LINER	
15	90024205025	2	SCREW 5X25	
16	17804306930	1	SPRING, THROTTLE RETURN	
17	17801048731	1	CONTROL, THROTTLE	
18	17811005330	2	SCREW	
19	17800156730	1	WIRE, THROTTLE	
20	90050200006	2	NUT 6 (3)	
21	90070000005	1	E-RING 5MM	
22	61001344730	1	SHAFT, FLEXIBLE	



KEYPARTNUMBER	QTY	DESCRIPTION	REMARKS	
1	61040252630	1	CASE ASY, GEAR	INCLUDES ITEMS 2 - 21
2	90070600012	1	CIRCLIP 12	
3	90070200022	1	CIRCLIP 22	
4	90085806900	1	BEARING, BALL 6900Z	
5	90085506900	1	BEARING, BALL 6900	
6	61030052630	1	GEAR SET	
7	90010005030	2	BOLT 5X30	
8	90060000005	2	WASHER 5	
9	90024205010	1	SCREW 5X10	
10	90010008008	1	BOLT 8X8	
11	61046027430	1	GEAR CASE	
12	90080000609	1	BEARING, BALL 609	
13	61036008931	1	SHAFT, P.T.O.	
14	90081036201	1	BEARING, BALL 6201	
15	90070200032	1	CIRCLIP 32	
16	61031507130	1	SPACER	
17	61041307130	1	OILSEAL	
18	61031307130	1	PLATE, ADAPTER (U)	
19	61031404131	1	PLATE, ADAPTER (L)	
20	90051300010	1	NUT 10 (L-H)	
21	90030020022	1	PIN, SPLIT 2X22	
22	61022555330	1	COLLAR	
23	89751801131	1	LOCKING TOOL	
24	89511200330	1	SPANNER 8X10	
25	89541008030	1	WRENCH, W/SCREWDRIVER	
26	69901052830	1	SHIELD, BLADE	
27	69601552632	1	2-CUTTER BLADE	
28	90008000200	2	SCREW 4X20	
29	69901755330	1	FLAP, DEBRIS	
30	61025055330	1	BOLT	
31	30202955330	1	BRACKET, WHEEL	
32	90060200010	1	WASHER 10(10.5X21X2)	
33	30242452630	1	COLLAR 12	
34	17811355330	1	NUT, WING	
35	90060500008	1	WASHER, SPRING 8	
36	90060200008	1	WASHER 8	
37	30241052631	1	WHEEL 6X1.5	
38	90008000100	2	SCREW 8	
39	90008000300	2	SCREW 4X16	
40	69902552630	1	PLATE, PROTECTION	
41	90056250005	3	NUT, LOCK	
42	90016205022	3	BOLT, H.S. 5X22	



CARBURETOR

PE-2000 TYPE 2E

KEYPARTNUMBER	QTY	DESCRIPTION	REMARKS
12520013312	1	CARBURETOR C1U-K52	INCLUDES THE FOLLOWING
1 12534452130	2	SCREW	
2 12534213210	1	COVER, METERING DIAPHRAGM	
3 A B	1	DIAPHRAGM, METERING	
4 A B	1	GASKET, METERING DIAPHRAGM	
5 12533942030	1	SCREW	
6 A	1	PIN, METERING ARM	
7 A	1	LEVER, METERING	
8 A	1	SPRING, METERING LEVER	
9 A	1	VALVE, INLET NEEDLE	
10 12532715130	1	CLIP	
11 A	1	PLUG, WELCH	
12 12531649030	1	VALVE, THROTTLE	
13 12531413930	1	SCREW	
14 12531813310	1	NEEDLE, LOW SPEED	
15 12532909860	1	CAP, LIMITER L.S.	
16 12532939030	1	CAP, LIMITER H.S.	
17 12532013310	1	NEEDLE, HIGH SPEED	
18 12532713930	1	CLIP, SWIVEL	
19 12537242030	1	SWIVEL	
20 12531713310	1	SHAFT, THROTTLE	
21 12531342030	1	SPRING, THROTTLE RETURN	
22 12537813930	1	PIECE, FRICTION	
23 12533413930	1	SCREW, IDLE ADJUST	
24 12531011610	2	SCREW	
25 12536311610	1	RING	
26 12538108660	1	PUMP, PURGE	
27 12538313310	1	BASE, PURGE	
28 A B	1	GASKET, FUEL PUMP	
29 A B	1	DIAPHRAGM, FUEL PUMP	
30 A	1	STRAINER	
31 12537649030	1	NOZZLE, CHECK VALVE	
A 12530013310	1	REBUILD KIT	
B 12530313310	1	GASKET/DIAPHRAGM KIT	