

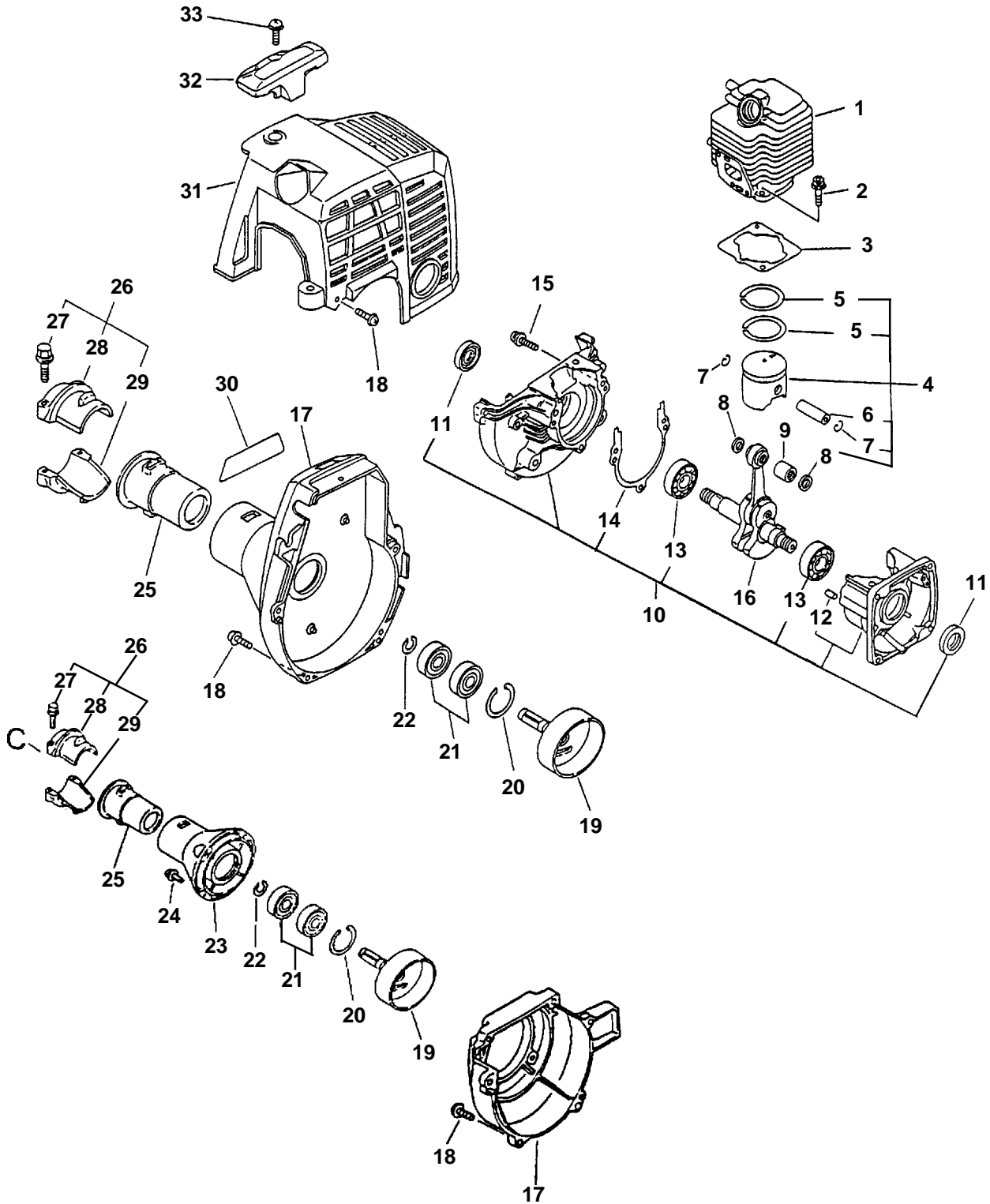


**GRASS TRIMMER
PARTS CATALOG
MODEL SRM-2400
MODEL SRM-2410**

SERIAL NUMBER 001001 & UP

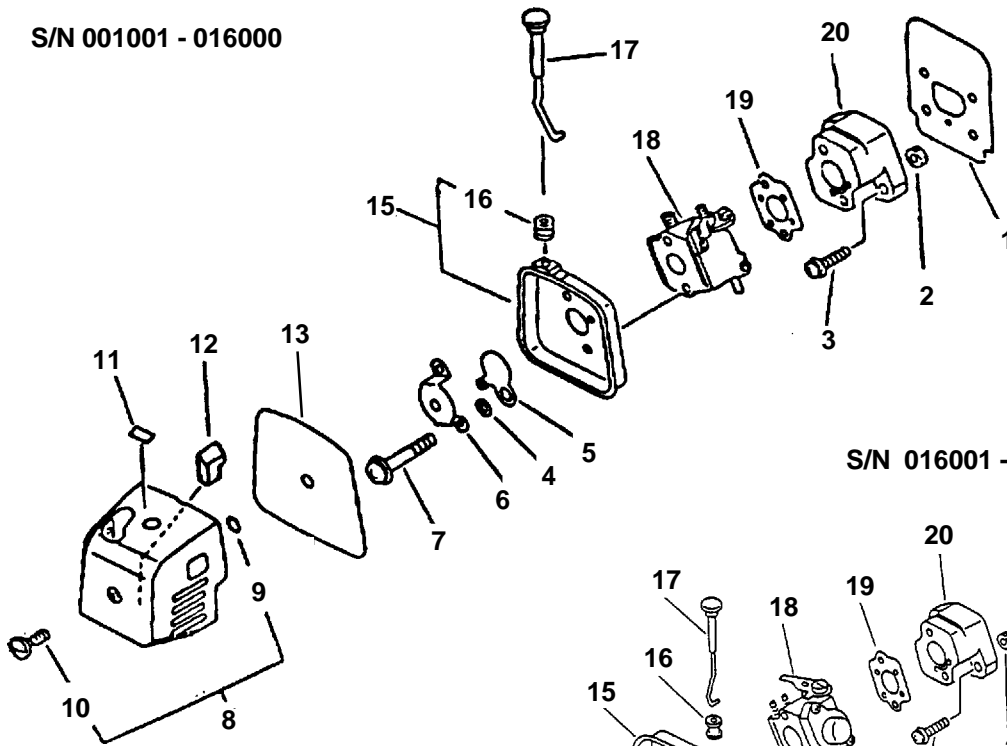
**ECHO, INCORPORATED
400 OAKWOOD ROAD
LAKE ZURICH, IL 60047**

**99922202537
09/99**

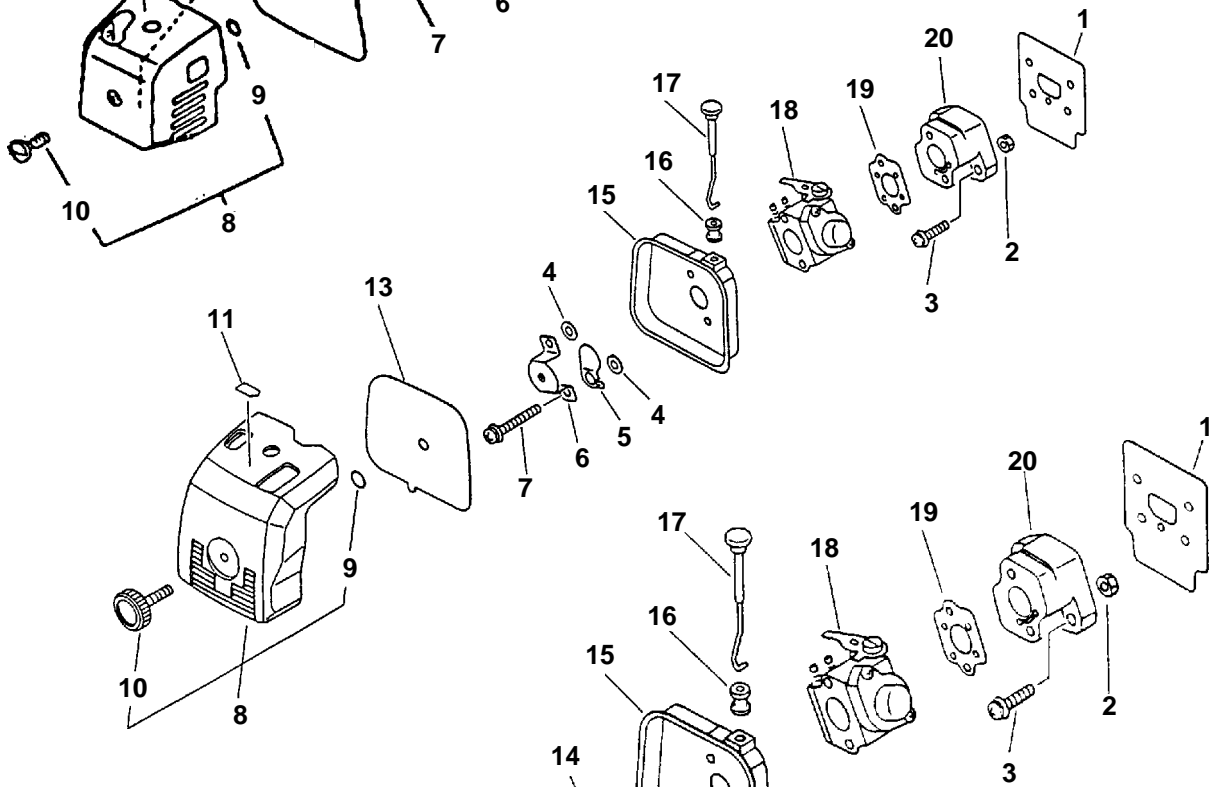


KEY	PART NUMBER	QTY	DESCRIPTION	REMARKS
1	10101109560	1	CYLINDER	S/N 001001 - 161628
1	10101108960	1	CYLINDER	S/N 161629 & UP
2	90016205022	2	BOLT, H.S. 5X22	
*3	10101044332	1	GASKET, CYLINDER BASE	SEE GASKET KIT PAGE 7
4	10000009562	1	PISTON KIT	INCLUDES ITEMS 5 - 8
5	10001109560	2	RING, PISTON	
6	10001311520	1	PIN, PISTON	
7	10001504630	2	CIRCLIP, PISTON PIN	
8	10001411520	2	SPACER, PISTON PIN	
9	10001251230	1	BEARING, NEEDLE	
10	-----	1	CRANKCASE KIT	INCLUDES ITEMS 11 - 15 (USE SB1027)
11	10021242030	2	OILSEAL	
12	10021503930	2	PIN, DOWEL	
13	90081036201	2	BEARING, BALL 6201	
*14	-----	1	GASKET, CRANKCASE	SEE GASKET KIT PAGE 7
15	90016205028	3	BOLT 5X28	
16	-----	1	CRANKSHAFT (S/N 001001 - 161628)	INCLUDES ITEM 9 (USE SB1027)
16	-----	1	CRANKSHAFT (S/N 161629 & UP)	INCLUDES ITEM 9 (USE SB1027)
17	10151149230	1	COVER, FAN	S/N 001001 - 065999
17	10150352130	1	COVER ASY, FAN	S/N 066000 - 117016
17	10150352131	1	COVER ASY, FAN	S/N 117017 & UP
18	90016204016	6	BOLT 4X16	
19	17500549230	1	DRUM, CLUTCH	S/N 001001 - 016000
19	17500548930	1	DRUM, CLUTCH	S/N 016001 & UP
20	90070200028	1	CIRCLIP 28	
21	90080706001	2	BEARING, BALL 6001	
22	90070100012	1	CIRCLIP 12	
23	61022349230	1	FLANGE, DRIVE SHAFT HOUSING	S/N 001001 - 065999
24	90023805016	4	SCREW 5X16	
25	61091027832	1	CUSHION	S/N 001001 - 117016
25	61091055230	1	CUSHION	S/N 117017 & UP
26	61090327432	1	HOLDER KIT (S/N 001001 - 117016)	INCLUDES ITEMS 27 - 29
26	61090355230	1	HOLDER KIT (S/N 117017 & UP)	INCLUDES ITEMS 27 - 29
27	90014205025	2	BOLT 5X25	
28	61092227432	1	HOLDER	
29	61092327432	1	HOLDER	(S/N 001001 - 117016)
29	61092355230	1	HOLDER	(S/N 117017 & UP)
30	89011552130	1	LABEL, MODEL	
31	10151448730	1	COVER, CYLINDER	S/N 001001 - 015999
31	10151452630	1	COVER, CYLINDER	S/N 016000 - 161628
31	10151448930	1	COVER, CYLINDER	S/N 161629 & UP
32	15991254130	1	GUARD, TOP	
33	90023805016	1	SCREW 5X16	
<u>ENGINE REPOWER</u>				
	SB1027	1	SHORT BLOCK	INCLUDES FACTORY ASSEMBLED CYLINDER, CRANKCASE, PISTON, CRANKSHAFT, BEARINGS & SEALS
	90051	1	REPOWER TUNE-UP KIT S/N 016001 - 102000	INCLUDES THE FOLLOWING
	13031052130	1	FILTER, AIR	
	13120507320	1	STRAINER, FUEL	
	13130040630	1	VENT ASY	
	13201013930	1	PIPE, FUEL	
	15901010630	1	PLUG, SPARK	
	99988800079M	1	GD OIL, 1 GAL. MIX	

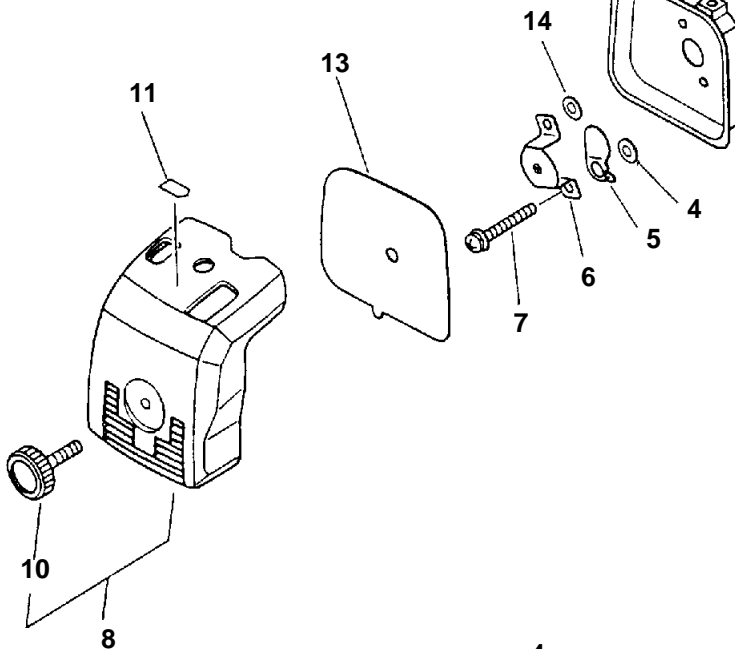
S/N 001001 - 016000



S/N 016001 - 102000

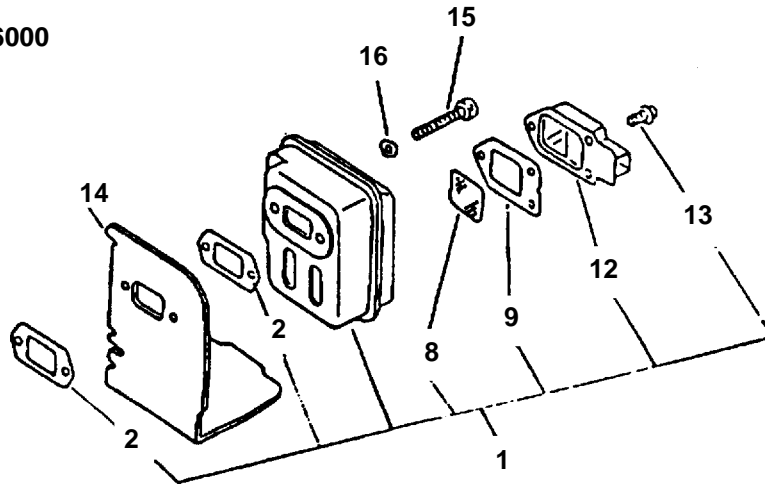


S/N 102001 & UP

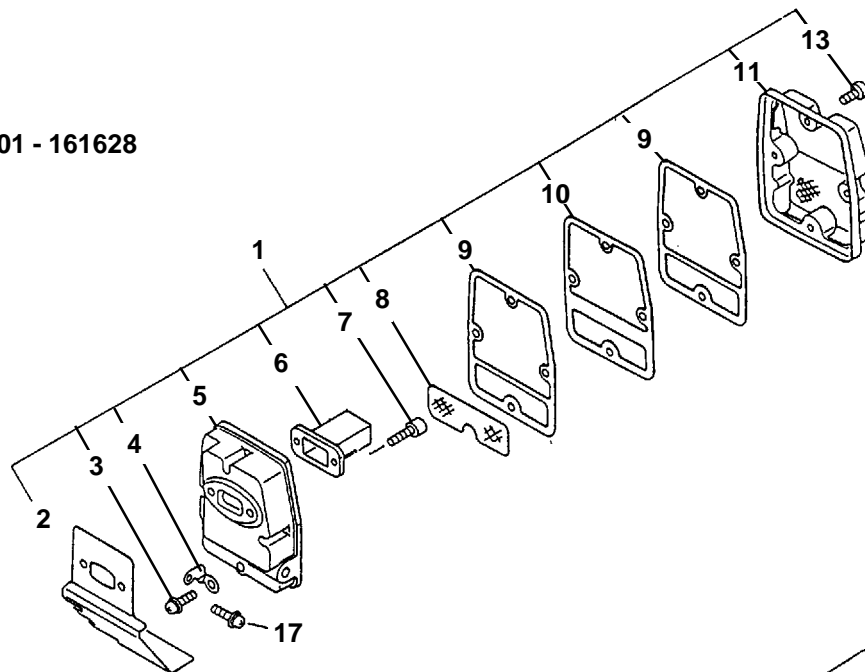


KEY	PART NUMBER	QTY	DESCRIPTION	REMARKS
1	13001042032	1	GASKET, INTAKE	SEE GASKET KIT PG. 7
2	90050000005	2	NUT 5	
3	90023805020	2	SCREW 5X20	
4	17851600830	2	WASHER 5	
5	17851504560	1	SHUTTER, CHOKE	S/N 001001 - 016000
5	17851505060	1	SHUTTER, CHOKE	S/N 016001 & UP
6	13041044730	1	BRACKET, AIR CLEANER	S/N 001001 - 016000
6	12901151730	1	PLATE, PREVENT	S/N 016001 - 102000
6	12901152130	1	PLATE, PREVENT	S/N 102001 & UP
7	90024205057	2	SCREW 5X57	
8	13030250630	1	COVER ASY, AIR CLEANER (S/N 001001 - 016000)	INCLUDES ITEMS 9 & 10
8	13030248930	1	COVER ASY, AIR CLEANER (S/N 016001 - 102000)	INCLUDES ITEMS 9 & 10
8	13030252130	1	COVER ASY, AIR CLEANER (S/N 102001 & UP)	INCLUDES ITEM 10
9	90072000004	1	O-RING 4	S/N 001001 - 016000
9	90072000003	1	O-RING 3	S/N 016001 - 102000
10	13041540630	1	SCREW	S/N 001001 - 016000
10	13040616331	1	NUT, THUMB	S/N 016001 - 150505
10	13040652130	1	NUT, THUMB	S/N 150506 & UP
11	89012148830	1	LABEL, CHOKE	S/N 001001 - 016000
11	89012152130	1	LABEL, CHOKE	S/N 016001 & UP
12	13033651230	1	PLUG	
13	13031004560	1	FILTER, AIR	S/N 001001 - 016000
13	13031048930	1	FILTER, AIR	S/N 016001 - 037399
13	13031052130	1	FILTER, AIR (H.D.) (S/N 037400 - 102000)	INCLUDED IN KIT 90009
13	13031051830	1	FILTER, AIR (H.D.) (S/N 102001 & UP)	INCLUDED IN KIT 90030
14	90060000005	1	WASHER 5	S/N 102001 & UP
15	13030104560	1	CASE, AIR CLEANER (S/N 001001 - 016000)	INCLUDES ITEM 16
15	13031448930	1	CASE, AIR CLEANER	S/N 016001 - 102000
15	13031451730	1	CASE, AIR CLEANER	S/N 102001 & UP
16	17881005230	1	GROMMET, CHOKE	
17	17851048830	1	ROD, CHOKE	S/N 001001 - 016000
17	17851051730	1	KNOB, CHOKE	S/N 016001 & UP
*18	12520052131	1	CARBURETOR C1U-K23A	S/N 001001 - 161628
18	12300052131	1	CARBURETOR WT-424	S/N 161629 & UP
19	13001642031	1	GASKET, INTAKE (S/N 001001 - 161628)	SEE GASKET KIT PG. 7
19	13001005960	1	GASEKT, INTAKE (S/N 161629 & UP)	SEE GASKET KIT PG. 7
20	13001742031	1	INSULATOR	

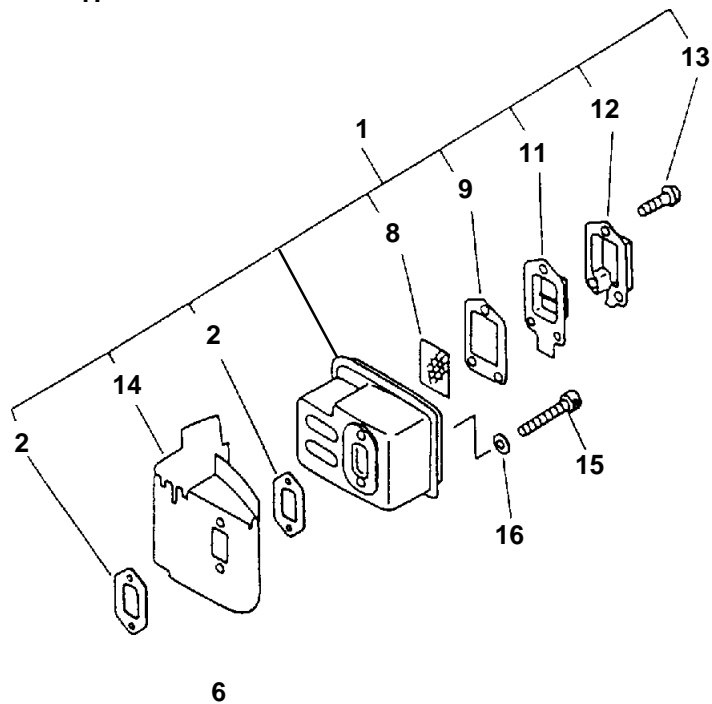
S/N 001001 - 016000



S/N 016001 - 161628



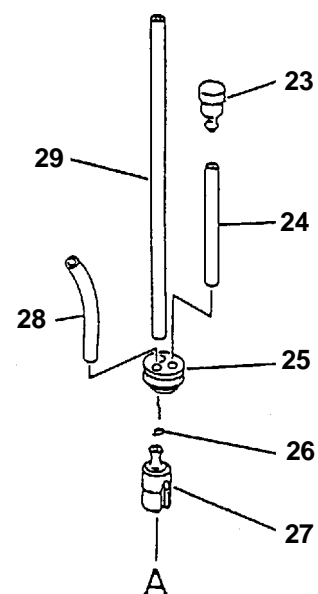
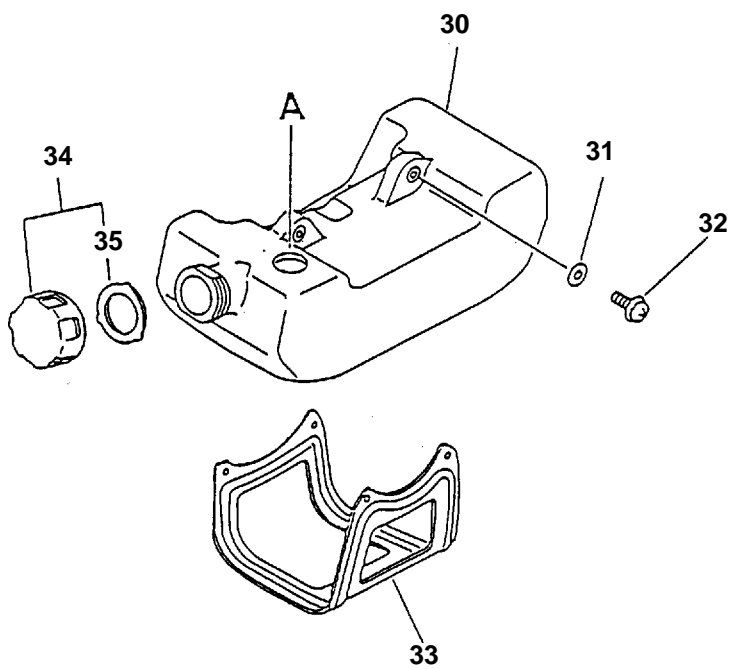
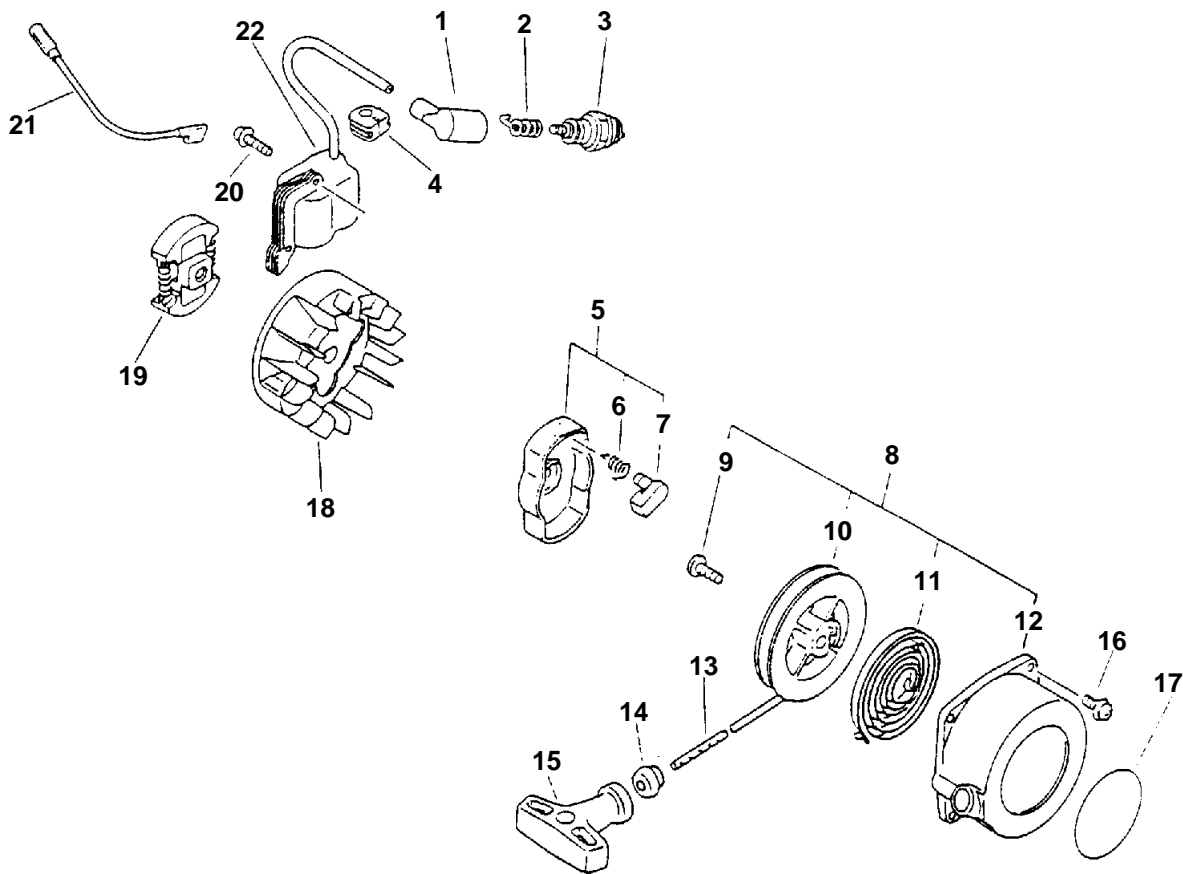
S/N 161629 & UP



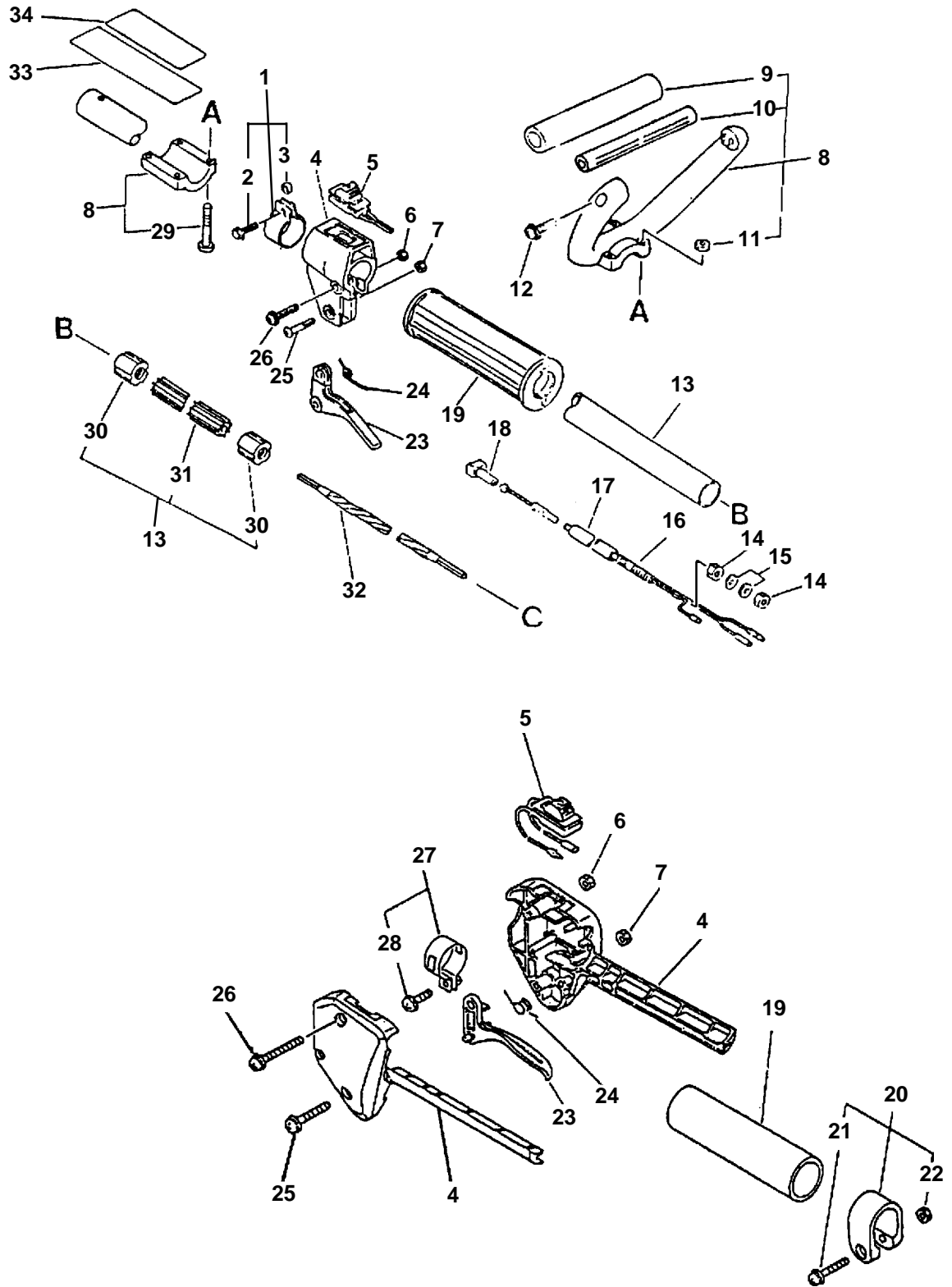
EXHAUST

SRM-2400/2410

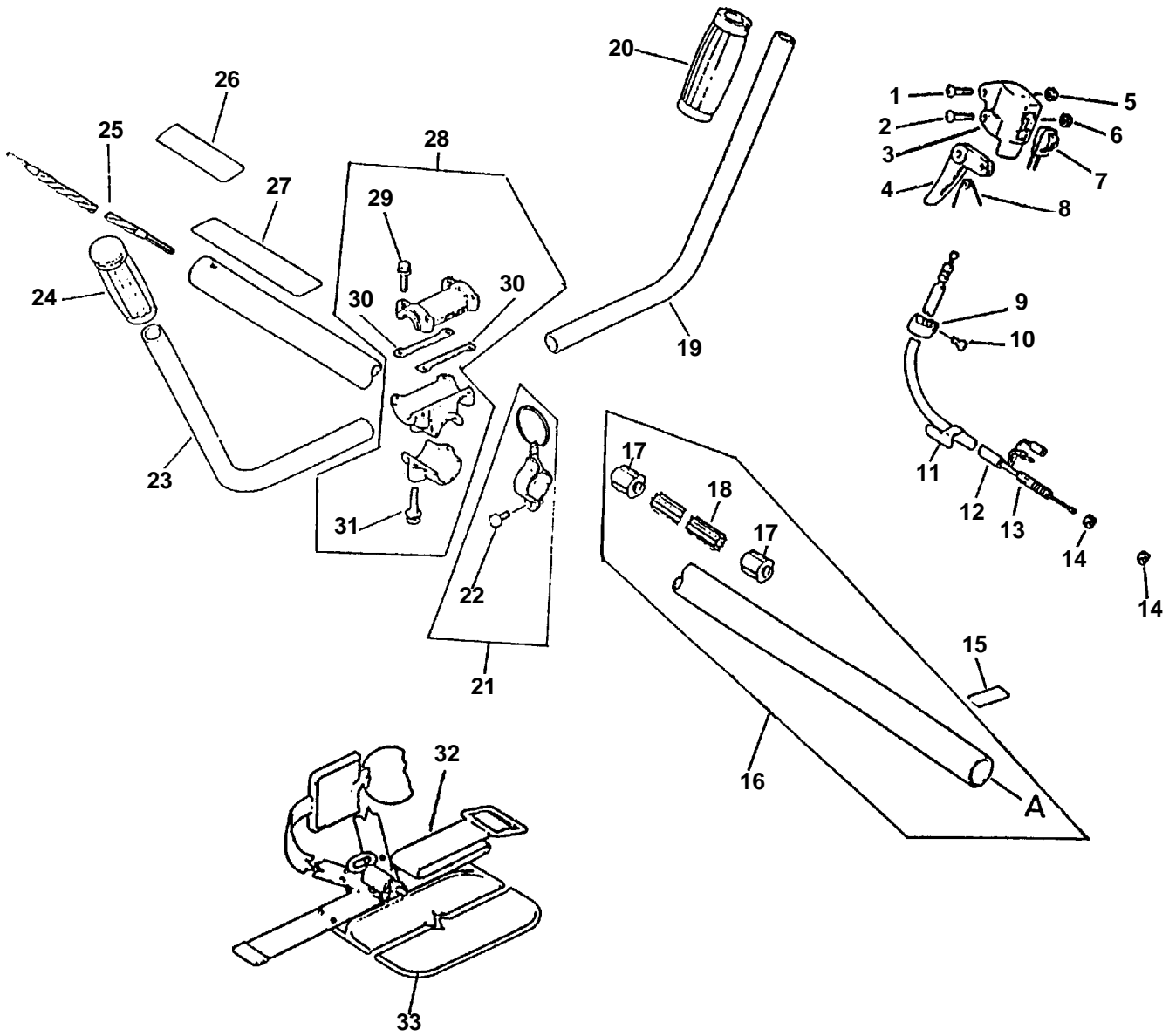
KEY	PART NUMBER	QTY	DESCRIPTION	REMARKS
1	14580042031	1	MUFFLER ASY (S/N001001 - 016000)	INCLUDES ITEMS 2, 8, 9, 12 & 13
1	14580052130	1	MUFFLER ASY (S/N 016001 - 161628)	INCLUDES ITEMS 2 - 11 & 13
1	14580052630	1	MUFFLER ASY (S/N 161629 & UP)	INCLUDES ITEMS 2, 8, 9, 11 - 14
2	14551042031	2	GASKET, MUFFLER	SEE GASKET KIT BELOW
2	14551051030	1	GASKET, MUFFLER (S/N 016001 - 161628 ONLY)	SEE GASKET KIT BELOW
3	90023805010	1	SCREW 5X10	
4	14571151030	1	STAY, MUFFLER	
5	14581052130	1	MUFFLER	
6	14585952130	1	DIFFUSER, MUFFLER	
7	90010505018	2	BOLT, H.S. 5X18	
8	14586240630	1	SCREEN, MUFFLER	
8	14586251030	1	SCREEN, MUFFLER	(S/N 016001 - 161628 ONLY)
9	14586642031	1	GASKET, MUFFLER LID	SEE GASKET KIT BELOW
9	14586651030	2	GASKET, MUFFLER LID (S/N 016001 - 161628 ONLY)	INCLUDED IN KIT BELOW
10	14588052130	1	PLATE, MUFFLER	S/N 016001 - 161628
11	14586151030	1	LID, MUFFLER	S/N 016001 - 161628
11	14587642030	1	LID, MUFFLER	S/N 161629 & UP
12	14586342030	1	HOLDER, SCREEN	S/N 001001 - 016000
12	14581852130	1	GUIDE, EXHAUST	S/N 161629 & UP
13	90023804010	3	SCREW 4X10	
13	90023805016	4	SCREW 5X10	(S/N 016001 - 161628 ONLY)
14	14587144331	1	COVER, MUFFLER	
15	90010505055	2	BOLT, H.S. 5X55	
16	90060000005	2	WASHER 5	
17	90023805014	1	SCREW 5X14	
	88900044632	1	GASKET KIT (S/N 001001 - 016000) INCLUDES THE FOLLOWING	
	10101044332	1	GASKET, CYLINDER BASE	
	-----	1	GASKET, CRANKCASE	
	13001042032	1	GASKET, INTAKE	
	13001642031	1	GASKET, INTAKE	
	14551042031	2	GASKET, MUFFLER	
	14563142030	1	COVER, MUFFLER	
	14586642031	1	GASKET, MUFFLER LID	
	88900051030	1	GASKET KIT (S/N 016001 - 161628) INCLUDES THE FOLLOWING	
	10101044332	1	GASKET, CYLINDER BASE	
	-----	1	GASKET, CRANKCASE	
	13001042032	1	GASKET, INTAKE	
	13001642031	1	GASKET, INTAKE	
	14551051030	1	GASKET, MUFFLER	
	14586651030	2	GASKET, MUFFLER LID	
	88900005960	1	GASKET KIT (S/N 161629 & UP) INCLUDES THE FOLLOWING	
	10101044332	1	GASKET, CYLINDER BASE	
	-----	1	GASKET, CRANKCASE	
	13001005960	1	GASKET, INTAKE	
	13001042032	1	GASKET, INTAKE	
	13001642031	1	GASKET, INTAKE	
	14551042031	2	GASKET, MUFFLER	
	14586642031	1	GASKET, MUFFLER LID	
	61041001260	1	GASKET, GEAR HOUSING	



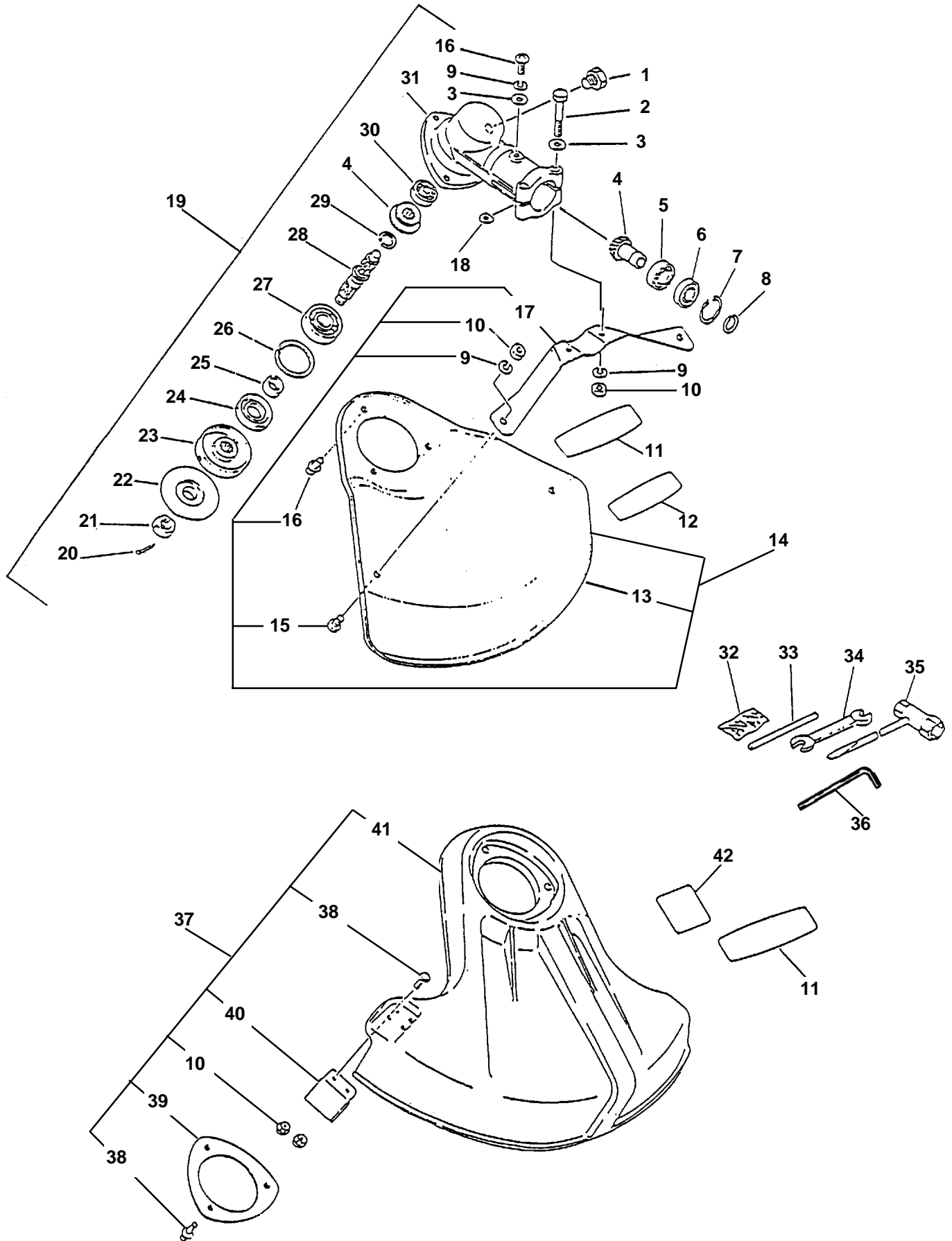
KEY	PART NUMBER	QTY	DESCRIPTION	REMARKS
1	15901201620	1	CAP, SPARK PLUG	
2	15901103432	1	COIL, SPARK PLUG CAP	
3	99944500071	1	PLUG, SPARK BPM-7Y	
3	15901010230	1	PLUG, SPARK BPMR-7A	CANADIAN MODELS ONLY
4	15611240630	1	GROMMET	
5	17720244330	1	PAWL ASY, STARTER	INCLUDES ITEMS 6 & 7
6	17723442030	1	SPRING, RETURN	
7	17721844330	1	PAWL, STARTER	
8	17720042033	1	STARTER ASY	INCLUDES ITEMS 9 - 15
9	17723644330	1	SCREW	
10	17721544430	1	DRUM, STARTER	
11	17722042030	1	SPRING, REWIND	
12	17723242032	1	CASE, STARTER	
13	17722605530	1	ROPE, STARTER	USE BULK ROPE 999444 00040 DIA. 3MM (.12 IN.) X 890MM (35.0 IN.)
14	17722742030	1	GUIDE, ROPE	
15	17722806530	1	GRIP, STARTER	
16	90016204016	2	BOLT, H.S. 4X16	
17	89011849130	1	LABEL, BRAND	
18	15680144731	1	FLYWHEEL	S/N 001001 - 208136
18	15680109660	1	FLYWHEEL	S/N 208137 & UP
19	17500042031	1	CLUTCH ASY	
20	90016204022	2	BOLT, H.S. 4X22	
21	16202152130	1	LEAD	S/N 161629 & UP
22	15660144731	1	COIL, IGNITION W/LEAD	S/N 001001 - 161628
22	15660152130	1	COIL, IGNITION W/O LEAD	S/N 161629 - 208136
22	15662609660	1	COIL, IGNITION	S/N 208137 & UP
23	13130040630	1	VENT ASY	INCLUDED IN KIT 90010
24	13131244330	1	PIPE 3X5X70	
25	13211546730	1	GROMMET, FUEL	
26	13201309820	1	CLIP	
27	13120507320	1	STRAINER, FUEL	INCLUDED IN KIT 90009 OR 90030
28	13201251030	1	PIPE 3X5X90	
29	13201013930	1	PIPE, FUEL	
30	13100544331	1	TANK, FUEL	
31	90060300005	2	WASHER 5	
32	90023805016	2	SCREW 5X16	
33	30511042030	1	STAND	
34	13100455830	1	CAP ASY, FUEL TANK	INCLUDES ITEM 35 (INCLUDED IN KIT 90010)
35	13101655830	1	GASKET, FUEL TANK CAP	



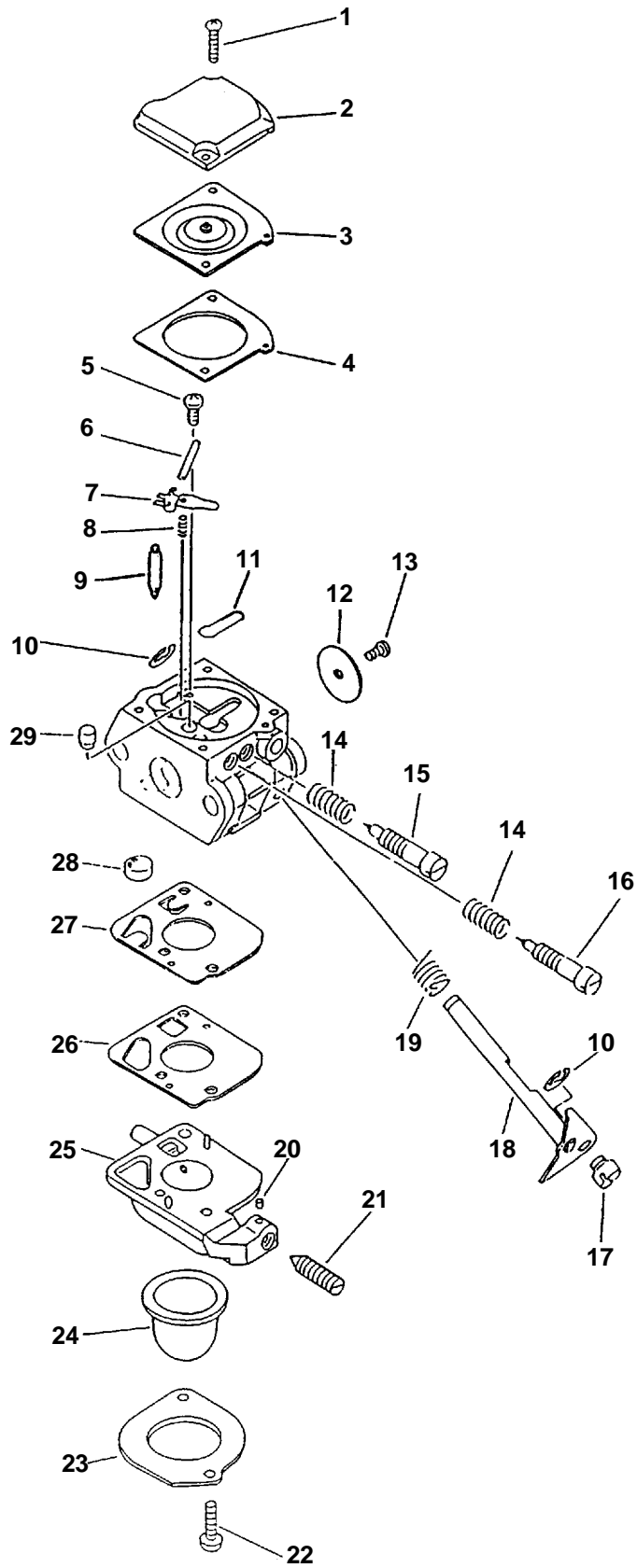
KEY	PART NUMBER	QTY	DESCRIPTION	REMARKS
1	30120708930	1	HOOK	INCLUDES ITEMS 2 & 3
2	90010005018	1	BOLT 5X18	
3	69901203330	1	SPACER	
4	17802449230	1	BRACKET, THROTTLE	S/N 001001 - 016000
4	17800352130	1	BRACKET SET, THROTTLE (S/N S/N 016001 & UP)	INCLUDES TIEMS 6, 25, & 26
5	16340049230	1	SWITCH, IGNITION	
6	90050000005	1	NUT 5	
7	90056000005	1	LOCKNUT 5	
8	35120151730	1	HANDLE ASY, LOOP (S/N 001001 - 016000)	INCLUDES ITEMS 9 - 12 & 29
8	35120152130	1	HANDLE ASY, LOOP (S/N 016001 & UP)	INCLUDES ITEMS 9 - 12 & 29
9	35121351730	1	GRIP, FRONT HANDLE	
10	35121051730	1	HANDLE, FRONT	
11	90050000005	4	NUT 5	
12	90024605030	2	SCREW 5X30	
13	61060944730	1	HOUSING ASY, DRIVE SHAFT	INCLUDES ITEMS 30 & 31
14	90050200006	2	NUT 6	
15	90060000006	2	WASHER 6	
16	17800144430	1	WIRE, THROTTLE	
17	17812724030	1	TUBE 10X11X160	S/N 001001 - 016000
17	17812750330	1	TUBE	S/N 16001 & UP
18	17804805630	1	HOLDER, THROTTLE WIRE	S/N 001001 - 016000
19	35101244730	1	GRIP, HANDLE	S/N 001001 - 016000
19	35121352130	1	GRIP, FRONT HANDLE	S/N 016001 & UP
20	61027252130	1	BAND 25 (S/N 016001 & UP)	INCLUDES ITEMS 21 & 22
21	90024205028	1	SCREW 5X28	S/N 016001 & UP
22	90050000005	1	NUT 5	S/N 016001 & UP
23	17801048731	1	CONTROL, THROTTLE	S/N 001001 - 016000
23	17801052130	1	CONTROL, THROTTLE	S/N 016001 & UP
24	17804306930	1	SPRING, THROTTLE RETURN	S/N 001001 - 016000
24	17804342230	1	SPRING, THROTTLE RETURN	S/N 016001 & UP
25	17811005330	1	SCREW	S/N 001001 - 016000
25	90024205025	1	SCREW 5X25	S/N 016001 & UP
26	90024205030	1	SCREW 5X30	S/N 001001 - 016000
26	90024205035	1	SCREW 5X35	S/N 016001 & UP
27	30120029430	1	BAND (S/N 016001 & UP)	INCLUDES ITEM 28
28	90024205014	1	SCREW 5X14	S/N 016001 & UP
29	90024205035	4	SCREW 5X35	
30	61024644730	2	FIXTURE, LINER	
31	61021744730	1	LINER, FLEXIBLE	
32	61001344730	1	SHAFT, FLEXIBLE	
33	89016049730	1	LABEL, CAUTION	
34	89031744530	1	LABEL, CAUTION	
34	89031744730	1	LABEL, CAUTION	CANADA



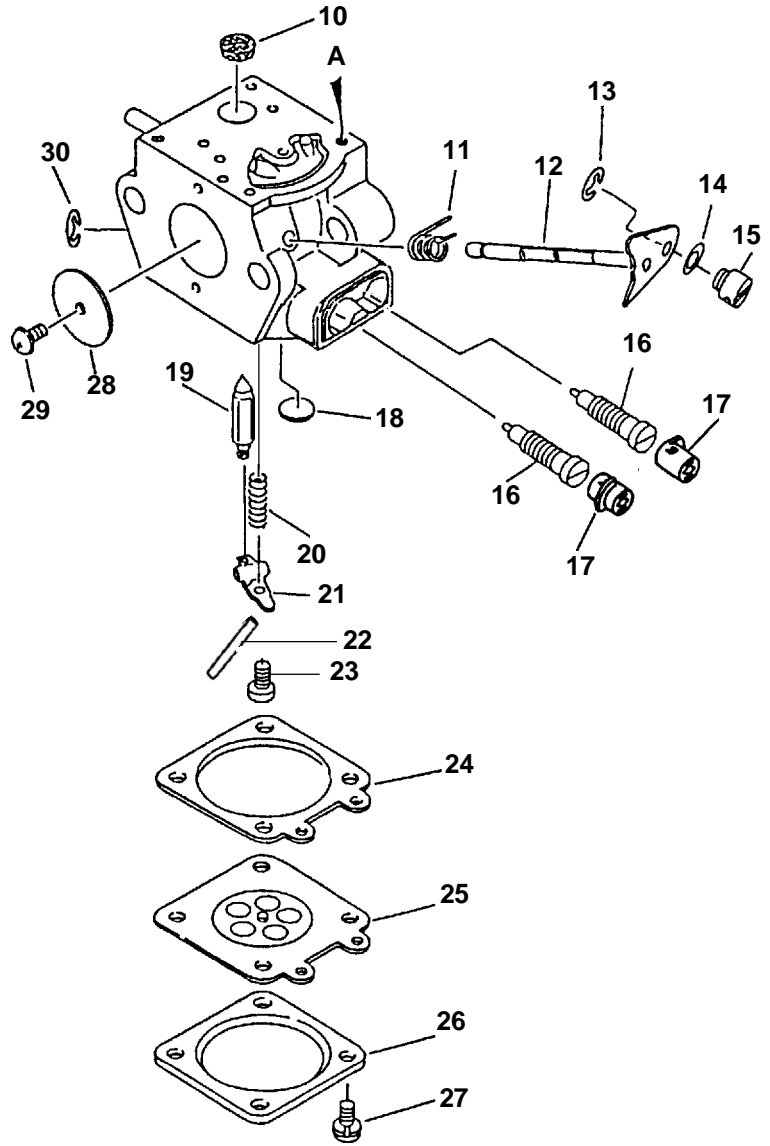
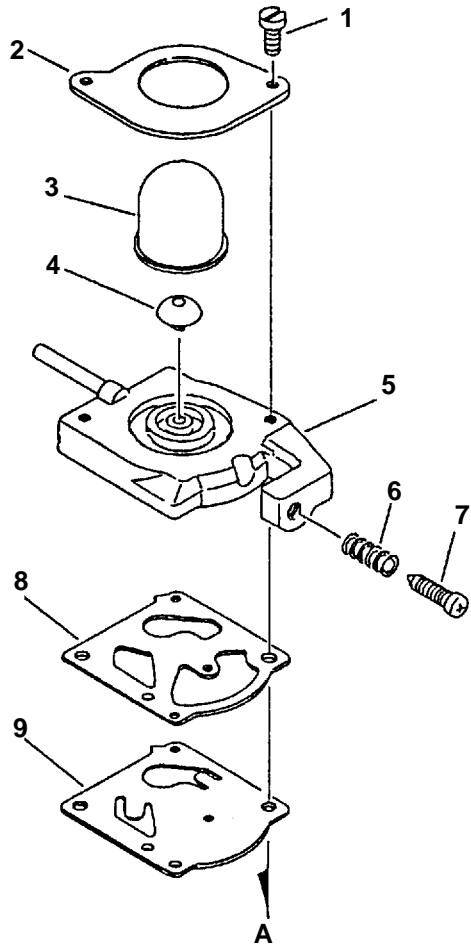
KEY	PART NUMBER	QTY	DESCRIPTION	REMARKS
1	17811005330	1	SCREW	
2	90022005025	1	SCREW 5X25	
3	17802441830	1	BRACKET, THROTTLE	
4	17801006460	1	CONTROL, THROTTLE	
5	90056000005	1	LOCKNUT 5	
6	90050000005	1	NUT 5	
7	16340149230	1	SWITCH, IGNITION	
8	17804305230	1	SPRING, THROTTLE RETURN	
9	17810605330	1	BAND	
10	90022005010	1	SCREW 5X10	
11	17811104930	1	CLIP, THROTTLE WIRE	
12	17812708030	1	TUBE 10X11X750	
13	17800141330	1	WIRE, THROTTLE	
14	17802105530	2	LOCKNUT	
15	89015204930	1	LABEL, CAUTION	
16	61060944730	1	HOUSING ASY, DRIVESHAFT	INCLUDES ITEMS 17 & 18
17	61024644730	2	FIXTURE, LINER	
18	61021744730	1	LINER, FLEXIBLE	
19	35101005530	1	HANDLE, FRONT R.H	
20	35131522130	1	GRIP, HANDLE R.H	
21	30120521330	1	HOOK	INCLUDES ITEM 22
22	90010005012	1	BOLT 5X12	
23	35121023430	1	HANDLE, FRONT L.H.	
24	35131102330	1	GRIP, HANDLE L.H.	
25	61001344730	1	SHAFT, FLEXIBLE	
26	89037144530	1	LABEL, CAUTION	
27	89016049730	1	LABEL, CAUTION	
28	35130109230	1	BRACKET ASY, HANDLE	INCLUDES ITEMS 29 - 31
29	90014205025	4	BOLT 5X25	
30	35131904130	2	SPACER	
31	90014206030	2	BOLT 6X30	
32	30100052131	1	HARNESS ASY	INCLUDES ITEM 33
33	30110541830	1	PAD, WAIST	



KEY	PART NUMBER	QTY	DESCRIPTION	REMARKS
1	90010008008	1	BOLT 8X8	S/N 001001 - 102000
1	61043450030	1	BOLT	S/N 102001 & UP
2	90010005035	2	BOLT 5X35	
3	90060000005	2	WASHER 5	
4	61030044830	1	GEAR SET, BEVEL	
5	90085506900	1	BEARING, BALL 6900	
6	90085806900	1	BEARING, BALL 6900	
7	90070200022	1	CIRCLIP 22	
8	90070600012	1	CIRCLIP 12	
9	90060500005	5	WASHER, SPRING 5	
10	90050000005	6	NUT 5	
11	89011848830	1	LABEL, ECHO	
12	89016841031	1	LABEL, CAUTION	
13	69901023531	1	SHIELD, BLADE	
14	69900023431	1	SHIELD ASY (BL)	INCLUDES ITEMS 9, 10, 13, 15 - 17
15	90022005008	2	SCREW 5X8	
16	90024205010	4	SCREW 5X10	
17	69901523431	1	BRACKET, SHIELD	
18	61023904130	2	WASHER, SHIM	
19	61040240930	1	HOUSING ASY, GEAR	INCLUDES ITEMS 1 - 9, 16, 18, 20 - 31
20	90030020022	1	PIN, SPLIT 2X22	
21	90051100010	1	NUT 10 (L-H)	
22	61031404131	1	PLATE, ADAPTER (L)	
23	61033808930	1	PLATE, ADAPTER (U)	
24	61041307130	1	OILSEAL	
25	61031507130	1	SPACER	
26	90070200032	1	CIRCLIP 32	
27	90081036201	1	BEARING, BALL 6201	
28	61036008931	1	SHAFT, P.T.O.	
29	90070600010	1	CIRCLIP 10	
30	90080000609	1	BEARING, BALL 609	
31	61046027430	1	HOUSING, GEAR	
32	89850201130	1	PIN 2X22 (W/POUCH)	
33	89751801131	1	LOCKING TOOL	
34	89511200330	1	SPANNER 8X10	
35	89541008030	1	WRENCH, W/SCREWDRIVER	
36	89561203430	1	ALLAN WRENCH	
37	69900440931	1	SHIELD ASY	INCLUDES ITEMS 10, 38 - 41
38	90024205016	5	SCREW 5X16	
39	69901840830	1	BRACKET, SHIELD	
40	69901644330	1	KNIFE, CORD	
41	69901027231	1	SHIELD, BLADE	
42	89016844330	1	LABEL, CAUTION	

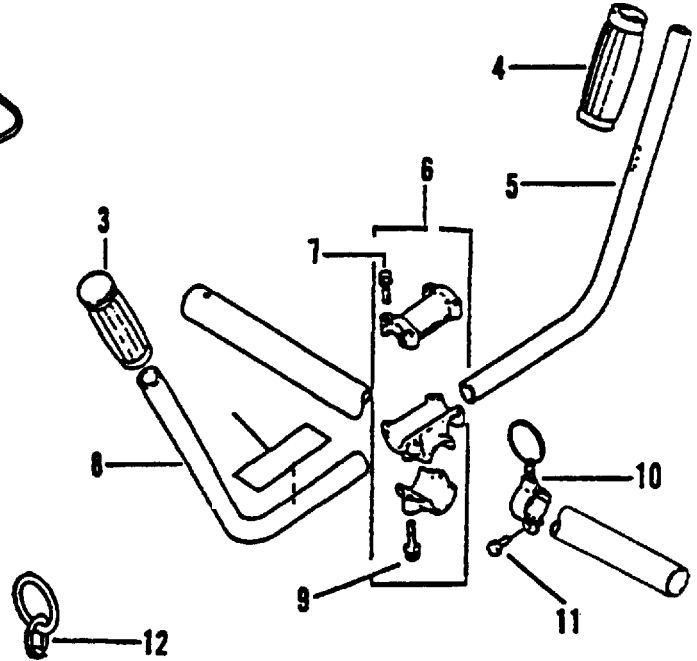
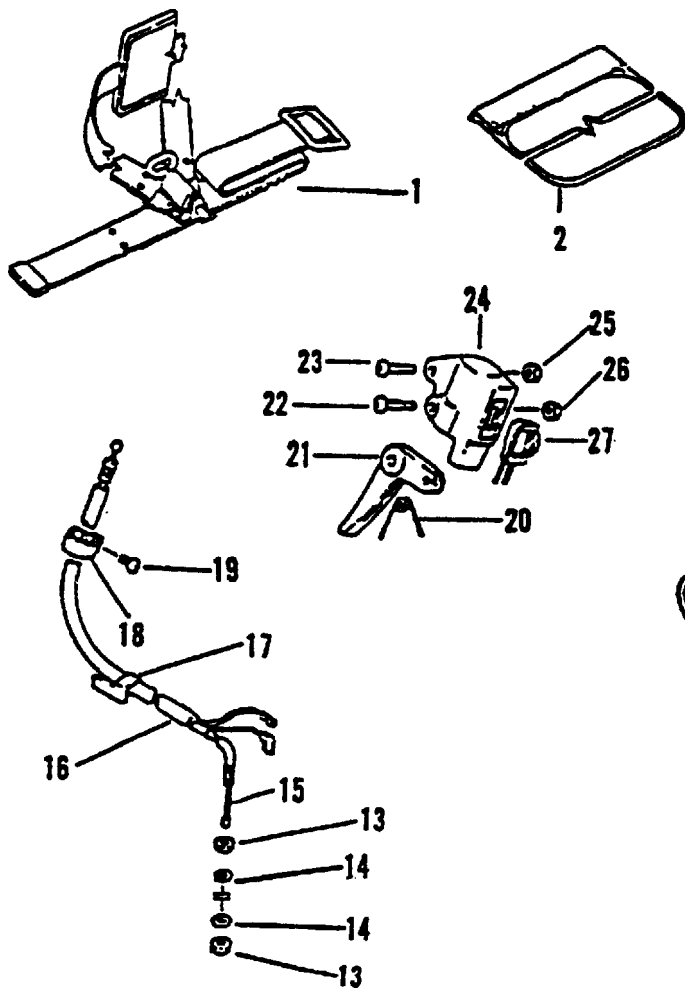


KEY	PART NUMBER	QTY	DESCRIPTION	REMARKS
	12520052131	1	CARBURETOR C1U-K23A	INCLUDES THE FOLLOWING ITEMS
1	12534413931	2	SCREW	
2	12534215130	1	COVER, DIAPHRAGM	
3	A B	1	DIAPHRAGM	
4	A B	1	GASKET, DIAPHRAGM	
5	12533942030	1	SCREW	
6	A	1	PIN	
7	A	1	ARM, VALVE	
8	A	1	SPRING, COIL	
9	A	1	VALVE, NEEDLE	
10	12532715130	2	CLIP	
11	A	1	PLUG, WELCH	
12	12531651230	1	VALVE, THROTTLE	
13	12531451230	1	SCREW	
14	12531942030	2	SPRING, COIL	
15	12531851330	1	NEEDLE, IDLE	
16	12532051230	1	NEEDLE, HIGH SPEED	
17	12537242030	1	SWIVEL	
18	12531742030	1	SHAFT, THROTTLE	
19	12531342030	1	SPRING, THROTTLE RETURN	
20	12537813930	1	PIECE, FRICTION	
21	12533413930	1	SCREW, IDLE ADJUST	
22	12531011610	2	SCREW	
23	12536311610	1	RING	
24	12538146730	1	PUMP, PURGE	
25	12532411610	1	COVER, PUMP	
26	A B	1	GASKET, FUEL PUMP	
27	A B	1	DIAPHRAGM, FUEL PUMP	
28	A	1	STRAINER	
29	12537651030	1	NOZZLE, CHECK VALVE	
A	12530051330	1	REBUILDKIT	
B	12530351030	1	GASKET/DIAPHRAGMKIT	



KEY	PART NUMBER	QTY	DESCRIPTION	REMARKS
	123000 52131	1	CARBURETOR WT-424A	INCLUDES THE FOLLOWING ITEMS
1	12311043130	2	SCREW	
2	12314209560	1	COVER, PURGE PUMP	
3	12318109560	1	PUMP, PURGE	
4	12317135630	1	VALVE, CHECK PURGE	
5	12312443230	1	COVER, FUEL PUMP	
6	12313304260	1	SPRING, IDLE ADJUST	
7	12313404260	1	SCREW, IDLE ADJUST	
8	A B	1	GASKET, FUEL PUMP	
9	A B	1	DIAPHRAGM, FUEL PUMP	
10	A	1	SCREEN, INLET	
11	12311352130	1	SPRING, THROTTLE SHAFT	
12	12311752130	1	SHAFT, THROTTLE	
13	12317307930	1	CLIP	
14	12314926030	1	WASHER	
15	12317226030	1	SWIVEL	
16	12312052130	2	NEEDLE, MIXTURE	
17	12315139230	2	CAP, LIMITER	
18	A	1	PLUG, WELCH	
19	A	1	VALVE, INLET NEEDLE	
20	A	1	SPRING, METERING LEVER	
21	A	1	LEVER, METERING	
22	A	1	PIN, METERING LEVER	
23	A	1	SCREW, METERING LEVER PIN	
24	A B	1	GASKET, METERING DIAPHRAGM	
25	A B	1	DIAPHRAGM, METERING	
26	12314203930	1	COVER, METERING DIAPHRAGM	
27	A	4	SCREW	
28	12311652130	1	VALVE, THROTTLE	
29	12311403930	1	SCREW	
30	12312715030	1	CLIP	
A	12310052130	1	REBUILD KIT	
B	12310152130	1	GASKET/DIAPHRAGM KIT	

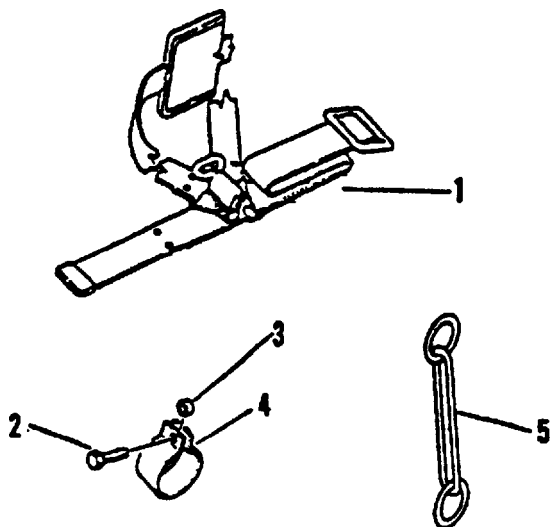
351304 49230 U-HANDLE KIT



696001 20330
8" 8 CUTTER BLADE

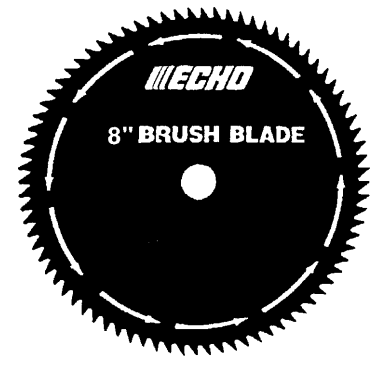
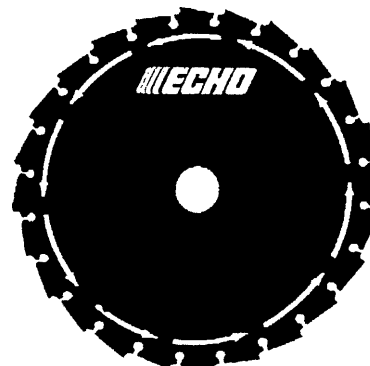


999442 00200 SHOULDER STRAP KIT



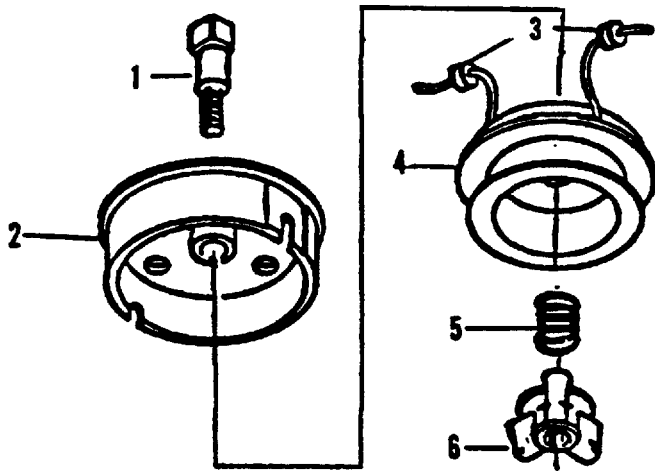
99442 00130 CLEARING
SAW BLADE

695001 20330
8" BRUSH BLADE

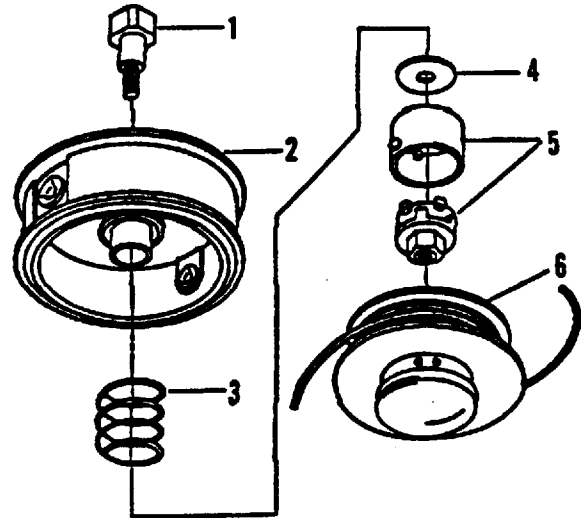


KEY	PART NUMBER	QTY	DESCRIPTION	REMARKS
	35130449230	1	U-HANDLE KIT	INCLUDES THE FOLLOWING
1	30100052131	1	HARNESS ASY	
2	30110541830	1	PAD, WAIST	
3	35131102330	1	GRIP, HANDLE	
4	35131522130	1	GRIP	
5	35101005530	1	HANDLE (RIGHT)	
6	35130109230	1	BRACKET SET	INCLUDES ITEMS 7 & 9
7	90014205025	4	BOLT 5X25	
8	35121023430	1	HANDLE (LEFT)	
9	90014206030	2	BOLT 6X30	
10	30120521330	1	HOOK, LIFTING	
11	90010005012	1	BOLT 5X12	
12	30101505330	1	RING, HARNESS	
13	17802105530	2	NUT 6	
14	90060000006	2	WASHER	
15	17800141330	1	CABLE, BOWDEN	
16	17812708030	1	TUBE	
17	17811104930	1	SET, CLIP	
18	17810605330	1	CLAMP	
19	90022005010	1	SCREW	
20	17804305230	1	SPRING, TRIGGER RETURN	
21	17801023530	1	TRIGGER, THROTTLE	
22	90024205025	1	SCREW 5X25	
23	17811005330	1	SCREW	
24	17802441830	1	HOLDER, TRIGGER	
25	90056000005	1	LOCKNUT	
26	90050000005	1	NUT 5	
27	16340045330	1	SWITCH, IGNITION	
	99944200200	1	SRM SHOULDER STRAP KIT	INCLUDES THE FOLLOWING
1	30100052131	1	HARNESS ASY	
2	90010005018	1	BOLT	
3	69901203330	1	SPACER	
4	30120708930	1	LINK, HOOK	
5	30130524330	1	LINK	

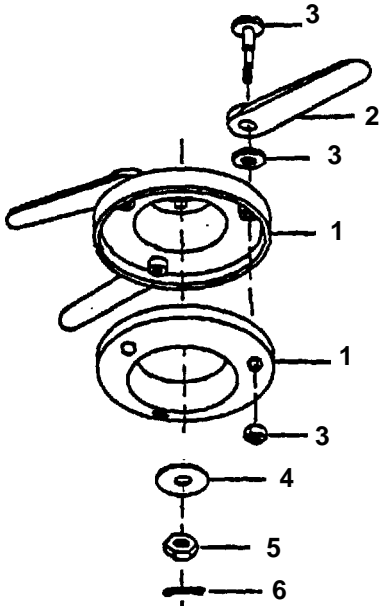
21560060 MANUAL HEAD



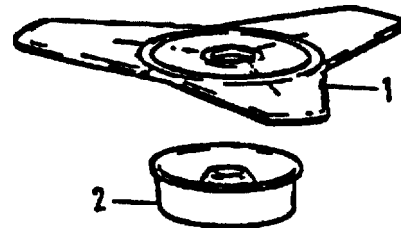
21560050 ECHOMATIC HEAD



215211 PRO MAXI-CUT



999442 00035 TRI CUT
BLADE/GLIDE CUP



KEY	PART NUMBER	QTY	DESCRIPTION	REMARKS
	21560060	1	MANUAL HEAD ASY	INCLUDES THE FOLLOWING
1	215601	1	SHAFT BOLT (M10X1.25 L.H.)	
2	215702	1	HOUSING	
3	215703	2	EYELETS	
4	215704	1	SPOOL (LINE DIA. .095)	
5	215705	1	SPRING	
6	215706	1	KNOB	
	21560050	1	ECHOMATIC HEAD	INCLUDES THE FOLLOWING
1	215601	1	SHAFT BOLT (M10X1.25 L.H.)	
2	215602	1	DRUM W/EYELETS	
3	215603	1	SPRING	
4	215604	1	WASHER	
5	215609	1	OUTER DRIVE & INNER CAM L.H.	
6	215607	1	SPOOL (LINE DIA. .095)	
	215211	1	PROMAXI-CUT	INCLUDES THE FOLLOWING
1	N/A	1	BODY, HEAD	NOT AVAILABLE SEPARATELY USE ORIGINAL PART NUMBER 215211
2	215212	1	BLADE SET (3)	
3	215213	1	FASTENER SET (3)	
4	215103	1	WASHER, MOUNTING	
5	90051100010	1	NUT, MOUNTING (M10X1.25)	
6	90030020022	2	COTTER PIN	
	99944200035	1	TRICUT BLADE W/GLIDE CUP	INCLUDES THE FOLLOWING
1	99944200030	1	TRICUT BLADE (20MM ARBOR)	
2	99944200031	1	GLIDE CUP	
	*RSAR-2501		RSAR-2501 RECIPROCATING CUTTER	
	*SRAC-200		SRAC-200 CULTIVATOR ATTACHMENT	
	*NOT SHOWN			