



OPTIONAL ATTACHMENTS & ACCESSORIES**Accessories**

001107 Power Blower Tube Helper Handle

99944100010 Rain Gutter Kit

99944100020 Tube Loop Handle

99944100030 PB_ES Shoulder Strap

PBAM-400 Mister Attachment

PBAM-400E Mister Attachment

PBAV-400 Vacuum Attachment

PARTS CATALOG**PB-410 Power Blower****39.7cc****SERIAL NUMBERS**

S/N: P09412001001 - P09412999999

ECHO, INCORPORATED

400 Oakwood Road Lake Zurich, Illinois 60047 USA

WWW.ECHO-USA.COM



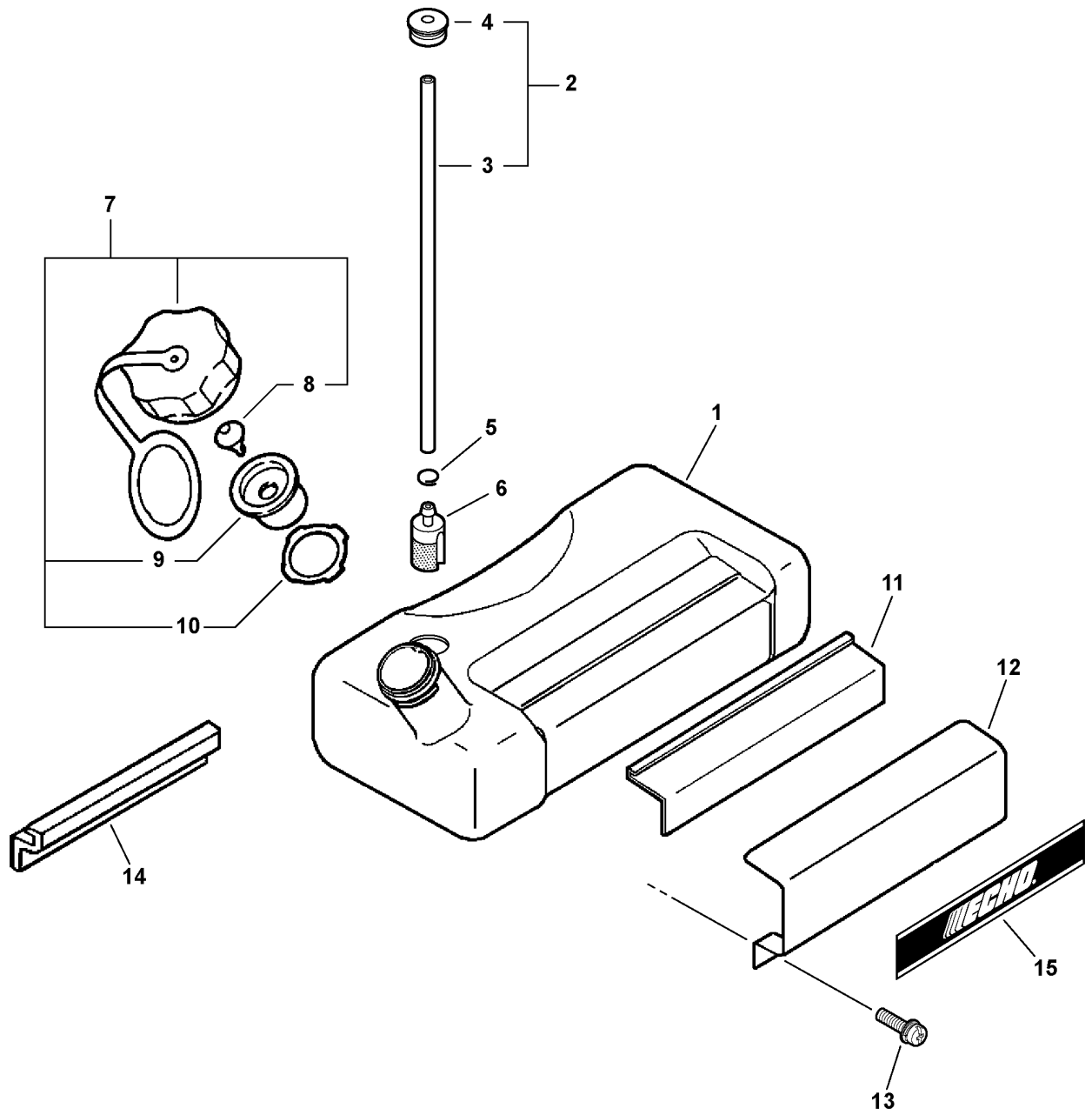
Table of Contents

Click Any Diagram Description Below To View That Diagram.

PB-410 S/N: P09412001001 - P09412999999

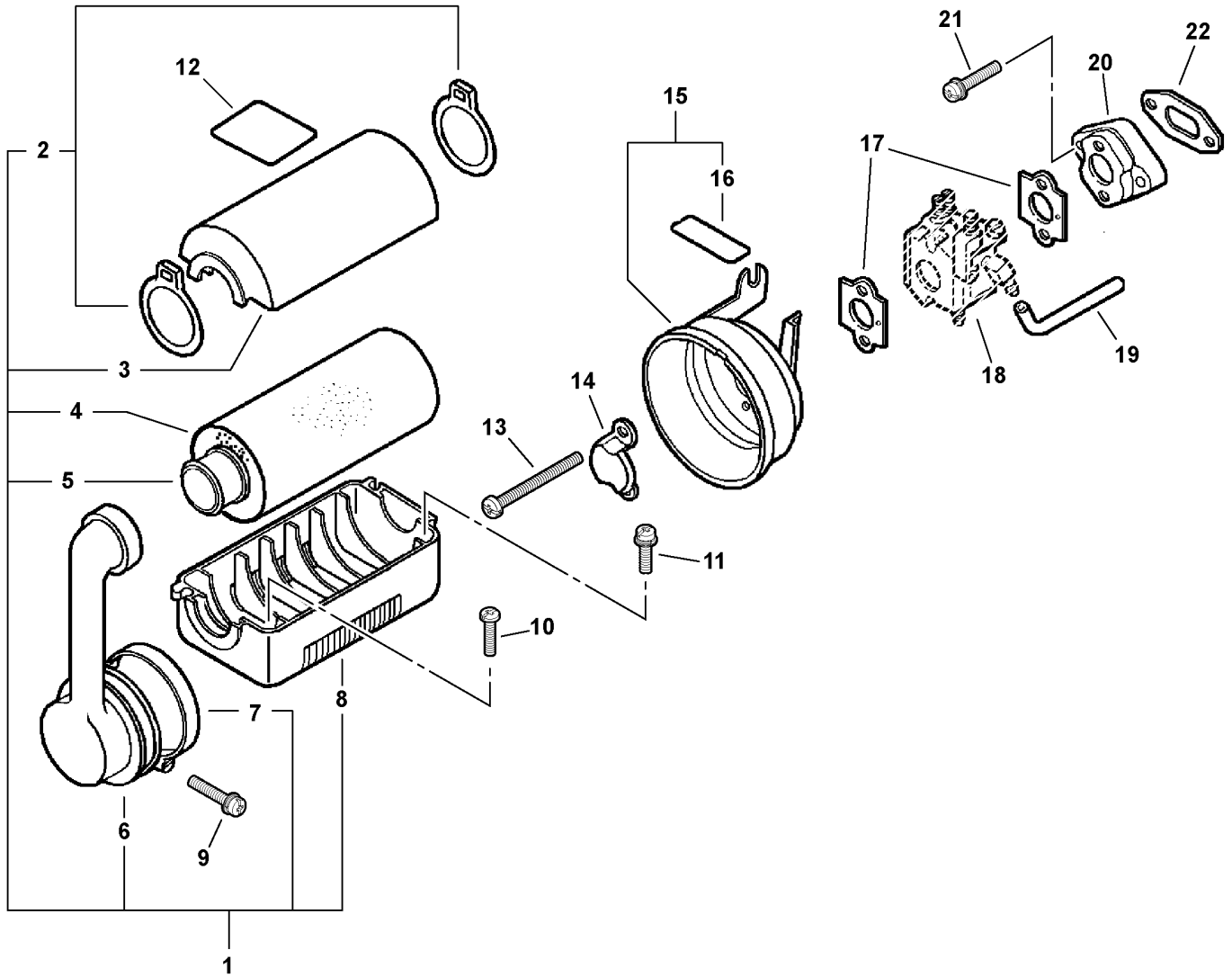
Fuel System.....	4
Intake.....	6
Carburetor -- WT-684A.....	8
Exhaust.....	10
Starter.....	12
Blower Tubes.....	14
Backpack Frame, Shoulder Harness.....	16
Fan Cover, Throttle Control.....	18
Ignition.....	20
Engine, Short Block -- SB1084.....	22
Gasket Kit -- P021007570.....	24
Tools.....	26
Part Number Index.....	28
Part Description Index.....	29

This Page Intentionally Left Blank



002 0037 000

ITEM	PART NUMBER	QTY	DESCRIPTION	REMARKS
1	A350000630	1	TANK, FUEL	
2	13200700760	1	FUEL PIPE KIT	INCLUDES ITEMS 3-5
3	13200700760	1	FUEL PIPE KIT	
4	13211511131	1	GROMMET	
5	13201309820	1	CLIP	
6	13120519831	1	FILTER, FUEL	
7	13160009861	1	CAP ASY	INCLUDES ITEMS 8-10
8	13131406320	1	VENT ASY	
9	A358000000	1	HOLDER, VENT ASY	
10	13101621060	1	GASKET, FUEL CAP	
11	13192002260	1	CUSHION, FUEL TANK	
12	13191002260	1	BRACKET, FUEL TANK	
13	90024205010	2	SCREW 5X10	
14	A390000030	1	SEAT, FUEL TANK	
15	89013800760	1	LABEL, ECHO	

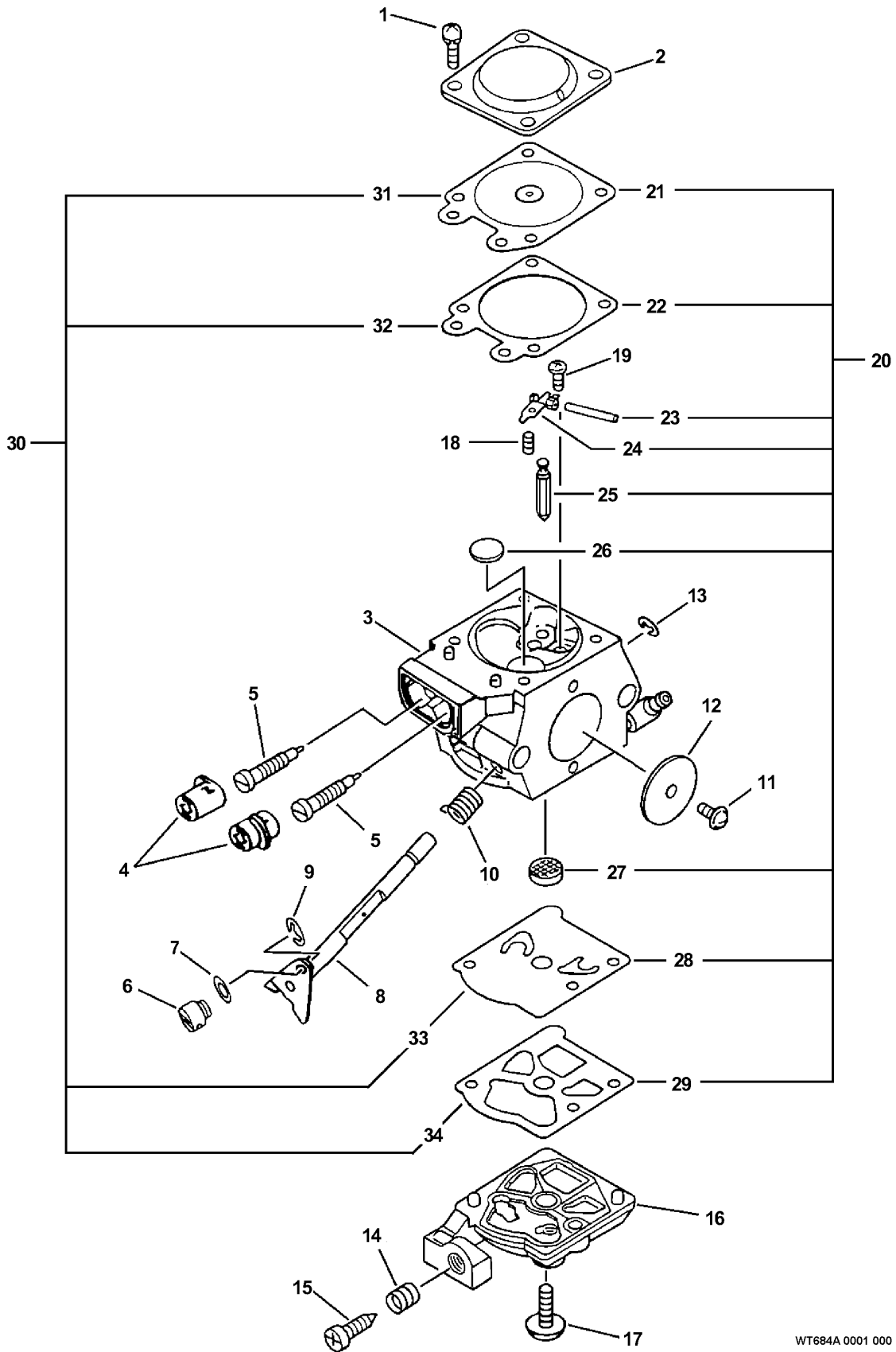


005 0036 000

ITEM	PART NUMBER	QTY	DESCRIPTION	REMARKS
1	13030402262	1	AIR CLEANER ASY	INCLUDES ITEMS 2-8
2	13034100760	2	HOLDER, AIR CLEANER	
3	13032600763	1	COVER, AIR CLEANER	
4	13031700760	1	FILTER, AIR	
5	13031100761	1	HOLDER, AIR CLEANER	
6	13071102260	1	ADAPTOR, INTAKE	
7	13071302260	1	BAND	
8	13031800763	1	CASE, AIR CLEANER	
9	90023505030	1	SCREW 5X30	
10	90022006015	3	SCREW 6X15	
11	90024206020	1	SCREW 6X20	
12	89016003360	1	LABEL, CAUTION	
13	90022005050	2	SCREW 5X50	
14	12901102260	1	PLATE	
15	13030702362	1	CASE, AIR CLEANER	INCLUDES ITEM 16
16	X506000010	1	LABEL, CHOKE	
17	13001606232	2	GASKET, INTAKE ¹	
18	-----	1	CARBURETOR ²	
19	13011000760	1	PIPE, IMPULSE	
20	A200000230	1	INSULATOR	
21	90024206025	2	SCREW 6X25	
22	13001000763	1	GASKET, INTAKE ¹	

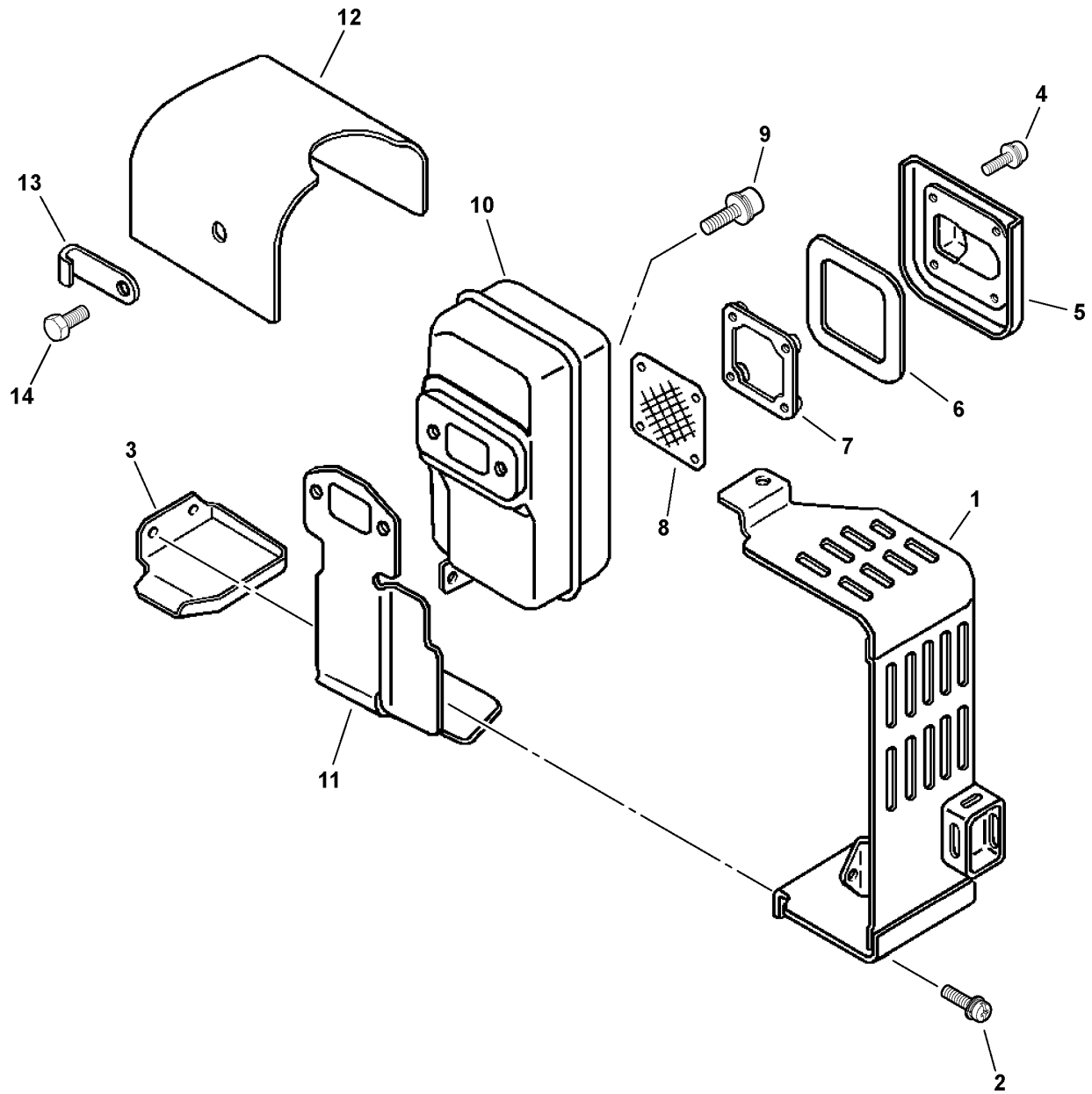
Footnotes

- 1: Also Included in GASKET KIT
- 2: See Carburetor Diagram For Additional Information



WT684A 0001 000

ITEM	PART NUMBER	QTY	DESCRIPTION	REMARKS
	A021000801	1	CARBURETOR -- WT-684A	
1	12313002960	4	SCREW, COVER	
2	12314203930	1	COVER, METERING DIAPHRAGM	
3	-----	1	BODY, CARBURETOR	NOT AVAILABLE SEPARATELY
4	P003000010	2	CAP, MIXTURE LIMITER	
5	12311802261	2	NEEDLE	
6	12317226030	1	SWIVEL	
7	12314926030	1	WASHER	
8	P003000070	1	SHAFT, THROTTLE	
9	12317307930	1	CLIP, SWIVEL	
10	12311309660	1	SPRING, THROTTLE RETURN	
11	12311403930	1	SCREW, THROTTLE VALVE	
12	12311603930	1	VALVE, THROTTLE	
13	12312715030	1	CIRCLIP	
14	12313304260	1	SPRING, IDLE ADJUST	
15	12313404260	1	SCREW, IDLE ADJUST	
16	12312402260	1	COVER, FUEL PUMP	
17	12311003930	1	SCREW, PUMP COVER	
18	12313903930	1	SCREW, METERING LEVER PIN	
19	12312203660	1	SPRING, METERING LEVER	
20	P003001180	1	REPAIR KIT	INCLUDES ITEMS 21-29
21	-----	1	DIAPHRAGM, METERING	
22	-----	1	GASKET, METERING DIAPHRAGM	
23	-----	1	PIN, METERING LEVER	
24	-----	1	LEVER, METERING	
25	-----	1	VALVE, INLET NEEDLE	
26	-----	1	PLUG, WELCH	
27	-----	1	SCREEN, INLET	
28	-----	1	DIAPHRAGM, FUEL PUMP	
29	-----	1	GASKET, FUEL PUMP	
30	P003001190	1	GASKET/DIAPHRAGM KIT	INCLUDES ITEMS 31-34
31	-----	1	DIAPHRAGM, METERING	
32	-----	1	GASKET, METERING DIAPHRAGM	
33	-----	1	DIAPHRAGM, FUEL PUMP	
34	-----	1	GASKET, FUEL PUMP	

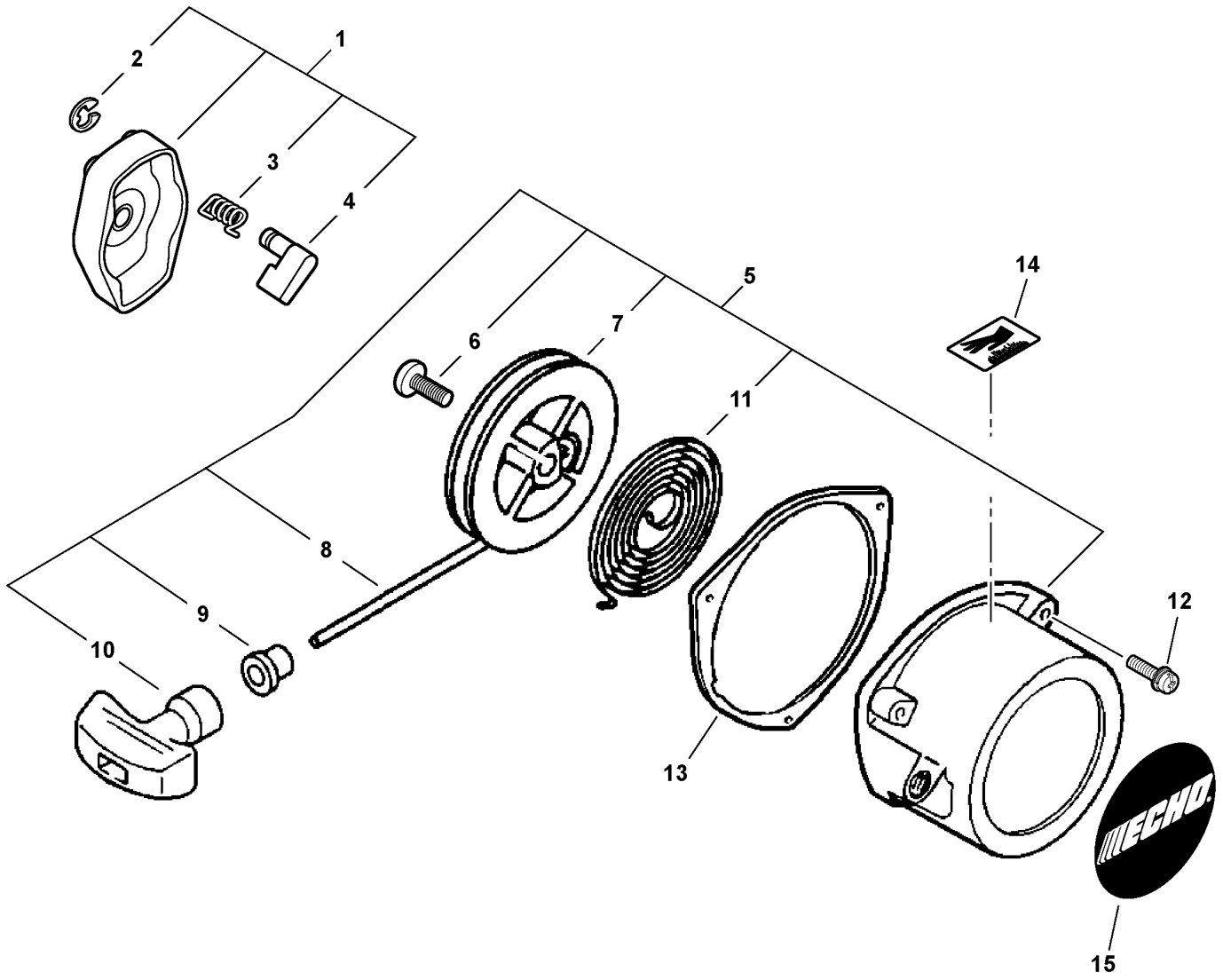


006 0037 000

ITEM	PART NUMBER	QTY	DESCRIPTION	REMARKS
1	A320000050	1	COVER, MUFFLER	
2	90024205014	2	SCREW 5X14	
3	14571502260	1	BRACKET, MUFFLER COVER	
4	90024204016	4	SCREW 4X16	
5	A313000510	1	GUIDE, EXHAUST	
6	V104000540	1	GASKET, EXHAUST ¹	
7	14588200761	1	SEAT, SCREEN	
8	14580100761	1	SCREEN, MUFFLER	
9	90016206020	2	SCREW 6X20	
10	A300000150	1	MUFFLER	
11	14551002261	1	SHIELD, EXHAUST ¹	
12	10151401110	1	COVER, CYLINDER	
13	15911001110	1	CLIP	
14	90014006010	2	BOLT 6X10	

Footnotes

1: Also Included in GASKET KIT

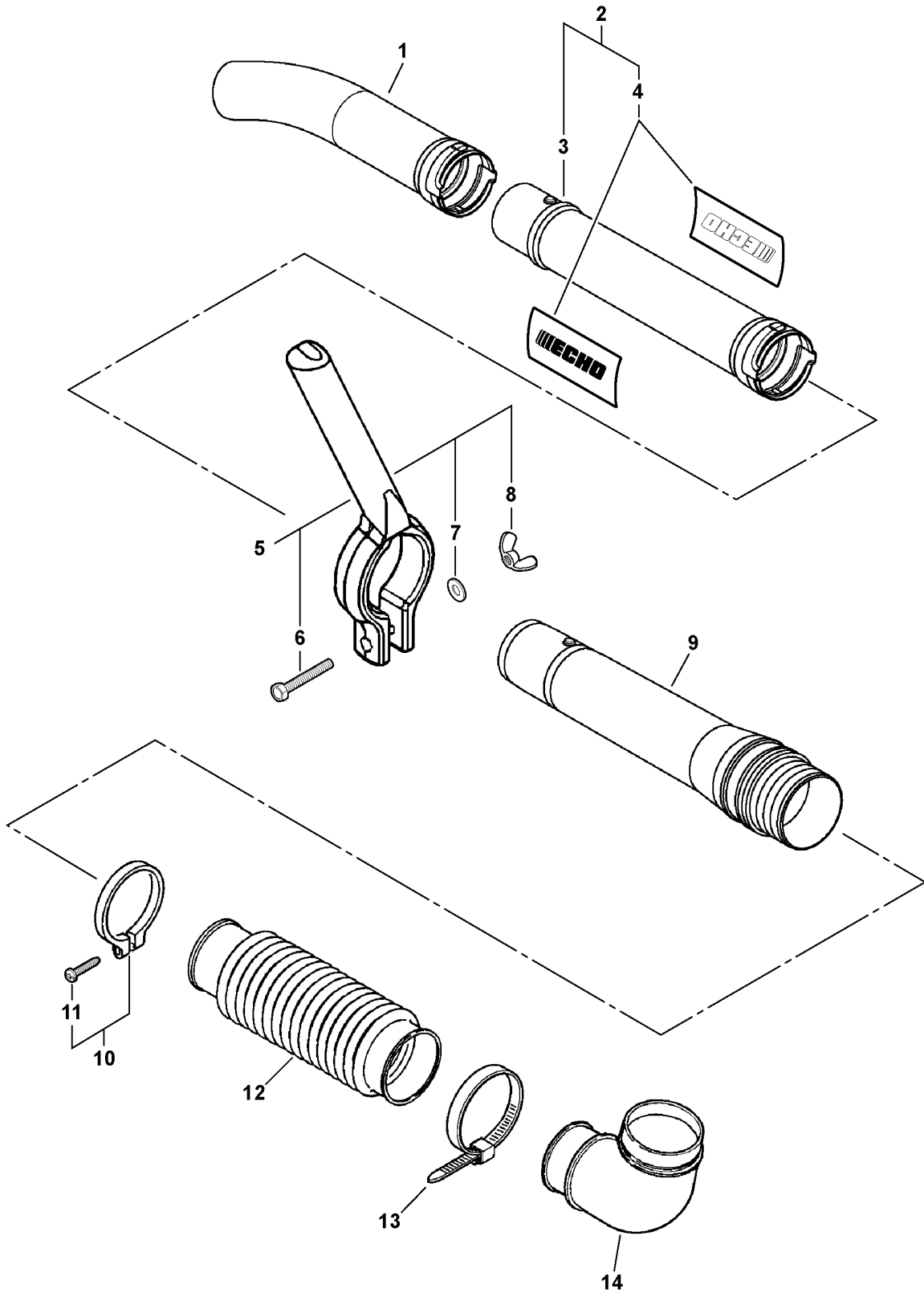


004 0015 000

ITEM	PART NUMBER	QTY	DESCRIPTION	REMARKS
1	17720202110	1	STARTER PAWL ASY	INCLUDES ITEMS 2-4
2	90070000004	1	E-RING 4	
3	17723440630	1	SPRING, RETURN	
4	17721840630	1	PAWL, STARTER	
5	17720000760	1	STARTER ASY	INCLUDES ITEMS 6-11
6	17723644330	1	SCREW	
7	17721543130	1	DRUM. STARTER	
8	17722601110	1	ROPE, STARTER - 4X950mm	REPOWER BULK OPTION: 99944450000
9	17722742030	1	GUIDE, ROPE	
10	17722801110	1	GRIP, STARTER	
11	17722040630	1	SPRING, REWIND	
12	90024205018	3	SCREW 5X18	
13	V105000000	1	GASKET, STARTER COVER ¹	
14	X505002310	1	LABEL - CAUTION -- HOT	
15	X502000410	1	LABEL - ECHO	

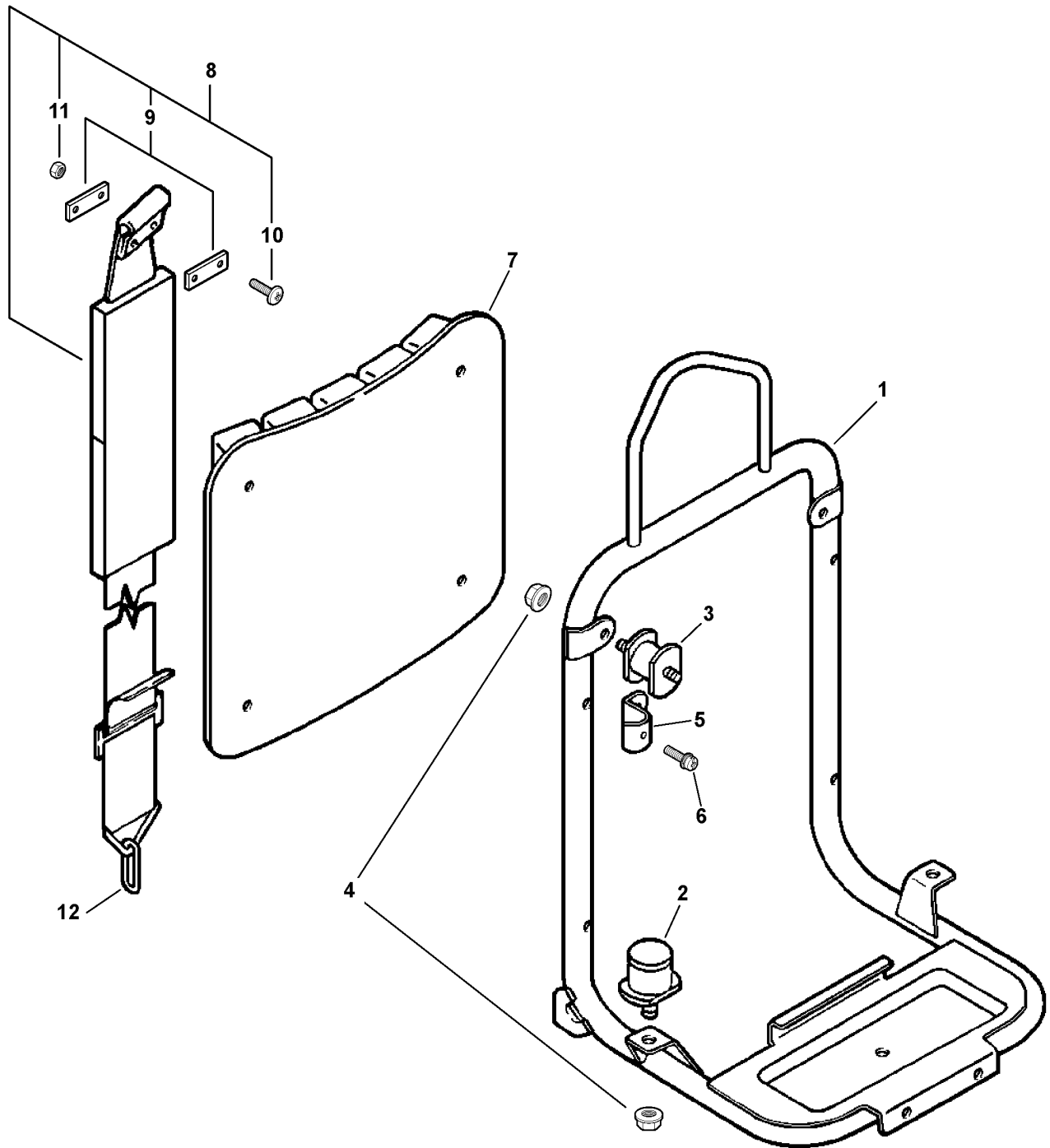
Footnotes

¹: Also Included In GASKET KIT



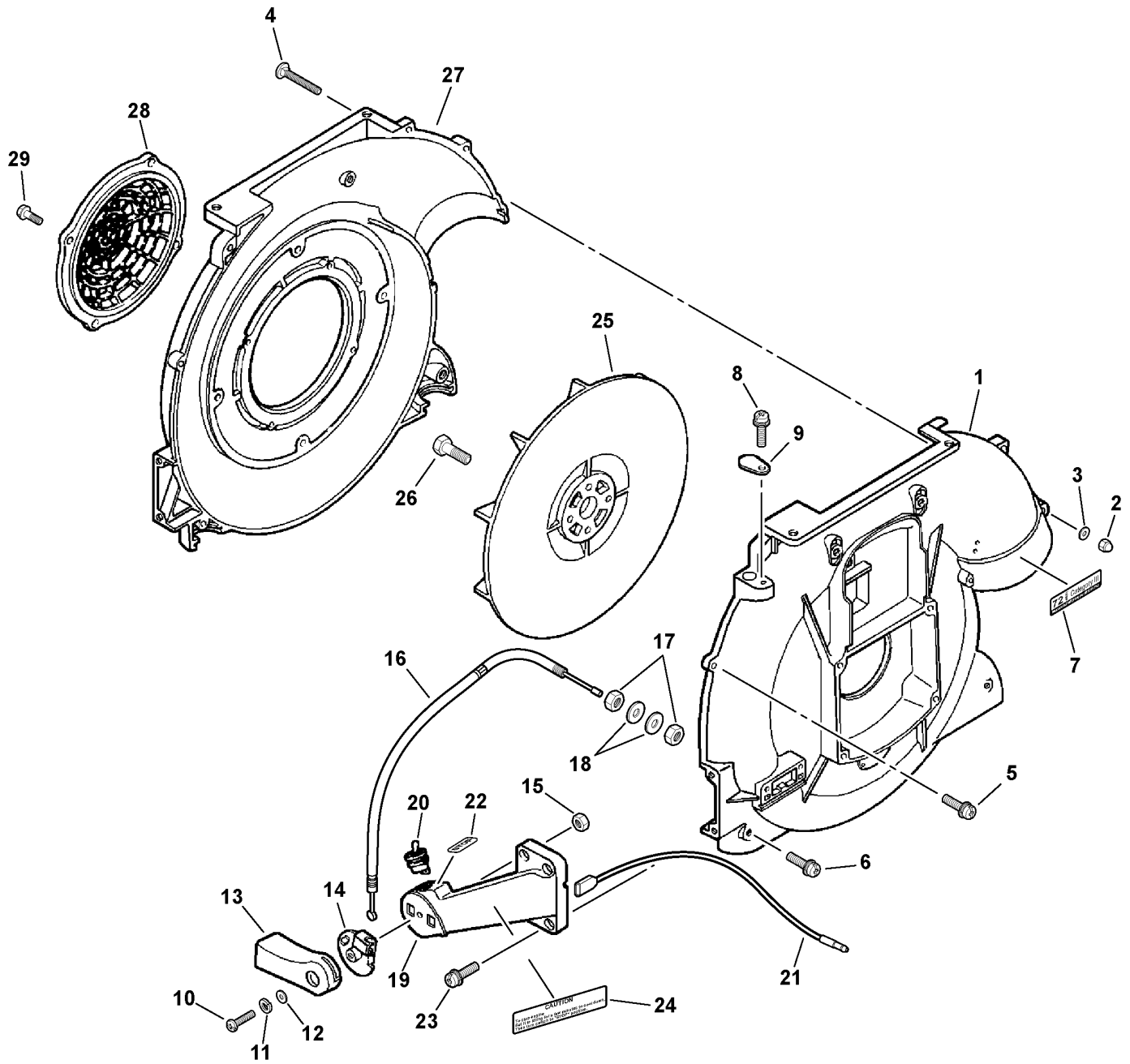
020 0016 H00

ITEM	PART NUMBER	QTY	DESCRIPTION	REMARKS
1	21002303461	1	TUBE, CURVED	
2	21000103462	1	STRAIGHT BLOWER TUBE KIT	INCLUDES ITEMS 3-4
3	21001503460	1	TUBE, BLOWER - STRAIGHT	
4	89011804262	2	LABEL, ECHO	
5	35130009860	1	HANDLE ASY	INCLUDES ITEMS 6-8
6	90010006045	1	BOLT 6X45	
7	90060000006	1	WASHER 6	
8	90052500006	1	WING NUT 8	
9	21200503460	1	TUBE, BLOWER - SWIVEL	
10	21040000660	1	CLAMP KIT	INCLUDES ITEM 11
11	90023505030	1	SCREW 5X30	
12	21001201112	1	TUBE, BLOWER - FLEXIBLE	
13	V495000430	1	CLAMP	
14	21001101160	1	TUBE, BLOWER - ELBOW	



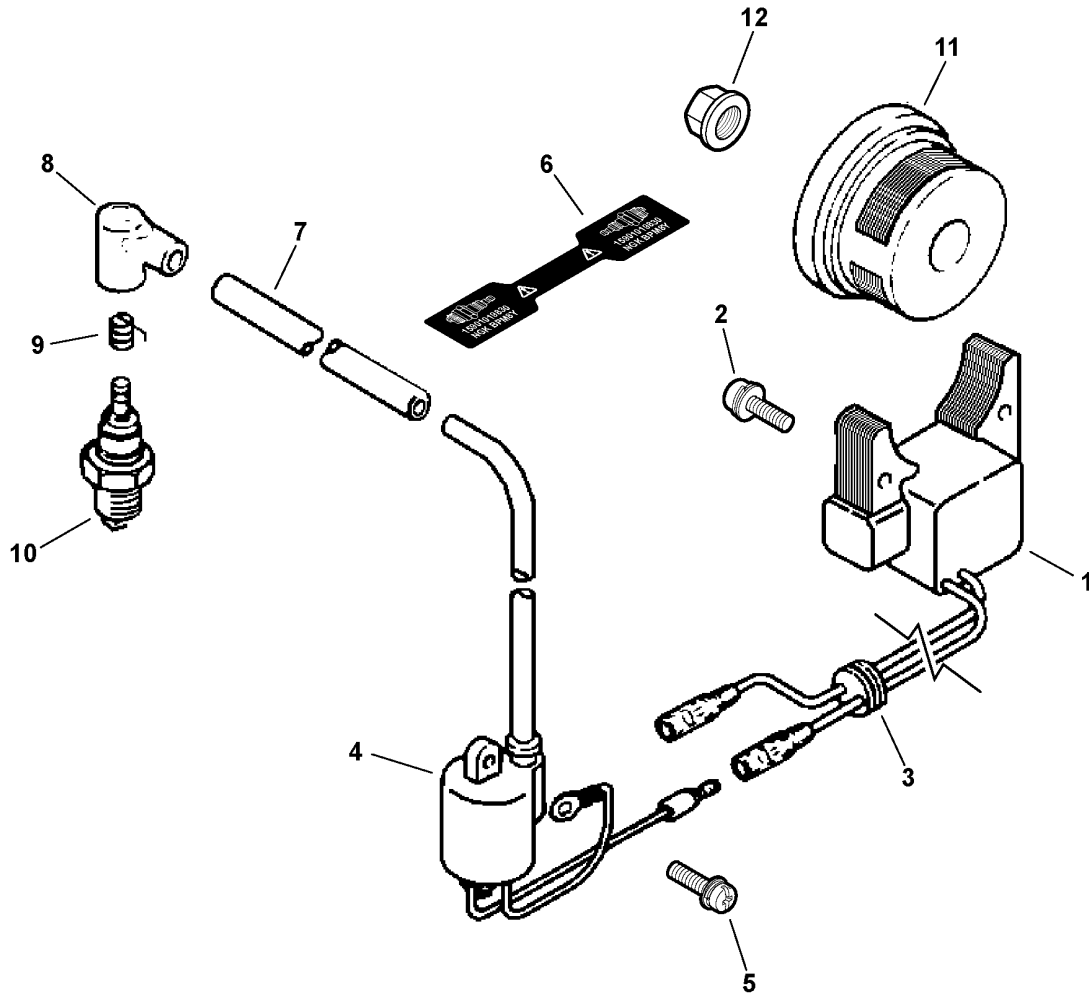
022 0010 000

ITEM	PART NUMBER	QTY	DESCRIPTION	REMARKS
1	30000500761	1	FRAME, BACKPACK	
2	20091601110	2	CUSHION	
3	20091001110	2	CUSHION	
4	90051800006	4	FLANGE NUT 6	
5	30022000760	4	BRACKET, CUSHION	
6	90024205010	4	SCREW 5X10	
7	30010500761	4	CUSHION, BACKPACK	
8	30030102260	2	BACKPACK HARNESS KIT	INCLUDES ITEMS 9-11
9	30032801810	4	WASHER, HARNESS	
10	90022005016	4	SCREW 5X16	
11	90056000005	4	LOCKNUT	
12	30031901611	2	RING, HARNESS	



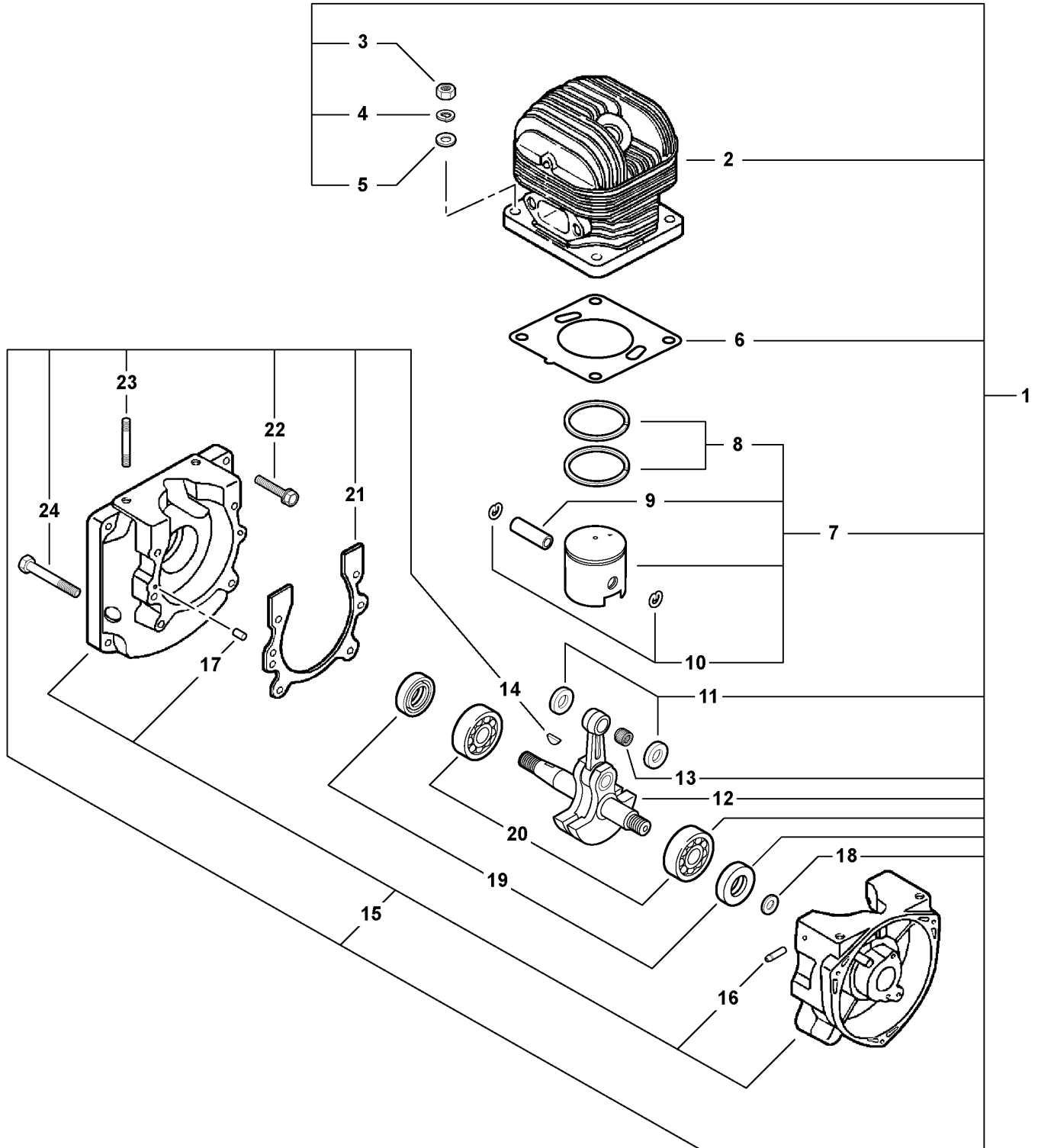
021 0021 000

ITEM	PART NUMBER	QTY	DESCRIPTION	REMARKS
1	E103000090	1	CASE, FAN - OUTER	
2	90053000005	2	CAP NUT 5	
3	90060000005	2	WASHER 5	
4	21041601110	2	CARRIAGE BOLT	
5	90023805020	4	SCREW 5X20	
6	90024205025	2	SCREW 5X25	
7	X508000150	1	LABEL, NOISE	
8	90024205010	1	SCREW 5X10	
9	36302903210	1	PLUG	
10	90022006025	1	SCREW 6X25	
11	90060500006	1	SPRING WASHER 6	
12	90060200006	1	WASHER 6	
13	17801000661	1	CONTROL, THROTTLE	
14	17812300760	1	BRACKET, THROTTLE	
15	90050000006	1	NUT 6	
16	17800102360	1	CABLE, THROTTLE	
17	90050200006	2	NUT 6	
18	90060300006	2	WASHER 6	
19	17812200761	1	BRACKET, THROTTLE LEVER	
20	16340004521	1	SWITCH, IGNITION	
21	15062102260	1	LEAD	
22	89015711130	1	LABEL- STOP	
23	90023805020	4	SCREW 5X20	
24	89016800860	1	LABEL - CAUTION	
25	20001001110	1	FAN	
26	90014205016	4	BOLT 5X16	
27	20010500761	1	CASE, FAN - INNER	
28	20012401111	1	COVER, FAN CASE	
29	90014606014	4	BOLT 6X14	



007 0017 000

ITEM	PART NUMBER	QTY	DESCRIPTION	REMARKS
1	15660102912	1	C.D. IGNITION MODULE	
2	90024205025	2	SCREW 5X25	
3	15061402910	1	GROMMET	
4	15662602111	1	COIL, IGNITION	
5	90024204016	2	SCREW 4X16	
6	X523000671	1	LABEL - SPARK PLUG	
7	15011101110	1	TUBE	
8	15901201620	1	CAP, SPARK PLUG	
9	15901103432	1	TERMINAL, SPARK PLUG CAP	
10	15901019830	1	SPARK PLUG -- BPM-8Y	
11	A409000260	1	FLYWHEEL	
12	90051900010	1	FLANGE NUT 10	



SB1084 0000 000

ITEM	PART NUMBER	QTY	DESCRIPTION	REMARKS
1	SB1084	1	SHORT BLOCK	INCLUDES ITEM 2-25
2	A130000580	1	CYLINDER	
3	90050000006	4	NUT 6	
4	90060500006	4	SPRING WASHER 6	
5	90060000006	4	WASHER 6	
6	V100000151	1	GASKET, CYLINDER ¹	
7	P021002380	1	PISTON KIT	INCLUDES ITEMS 9-13
8	10001101110	2	RING, PISTON	
9	10001300410	1	PIN, PISTON	
10	10001500120	2	CIRCLIP	
11	10001402260	2	SPACER	
12	10010002261	1	CRANKSHAFT ASY	
13	10001212331	1	BEARING, NEEDLE	
14	10014200310	1	WODDRUFF KEY	
15	P021007580	1	CRANKCASE SET	INCLUDES ITEMS 17-18
16	13011312330	1	CONNECTOR	
17	10021502830	2	DOWEL PIN	
18	90061700010	1	WASHER 10	
19	10021300310	2	OIL SEAL	
20	9403646202	2	BEARING, BALL	
21	10024201110	1	GASKET, CRANKCASE ¹	
22	90014206025	4	BOLT 6X25	
23	10025400130	4	STUD	
24	10024401111	4	BOLT	

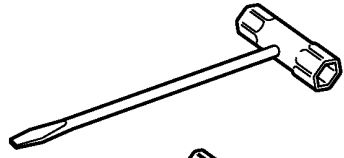
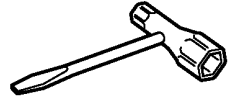
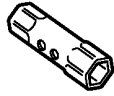

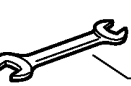

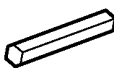







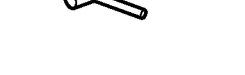


Footnotes

1: Also Included In GASKET KIT

Use Gasket Kit	Contains:	Service Number	Description
P021007570		10024201110	GASKET, CRANKCASE
		13001000763	GASKET, INTAKE
		13001606232	GASKET, INTAKE
		14551002261	SHIELD, EXHAUST
		V100000150	GASKET, CYLINDER
		V104000540	GASKET, EXHAUST
		V105000000	GASKET, STARTER

300 0028 000

<u>ITEM</u>	<u>PART NUMBER</u>	<u>QTY</u>	<u>DESCRIPTION</u>	<u>REMARKS</u>
1	P021007570	1	GASKET KIT	

	1 - 89541010630 -- 17X19mm
	2 - X602000020 -- 17X19mm
	3 - 89541039131 -- 10X19mm
	4 - 89541006960 -- 13X19mm
	5 - X602000031 -- 17X14.5mm
	6 - 89751801131 -- 5X120mm
	7 - 89511200330 -- 8X10mm
	8 - 89512220960 -- 17X19mm
	9 - 89501505260 -- 10mm
	10 - 89541220960 -- 10mm
	11 - 89561203430 -- 3mm
	12 - 89561000130 -- 4mm
	13 - 89561100330 -- 5mm
	14 - X605000060 -- T27
	15 - 89581100130 -- 125mm
	16 - 89581203930 -- 50mm
	17 - 89757005560

Consult Your Owners Manual - Consulte a sus dueños manuales

200 0001 000

ITEM	PART NUMBER	QTY	DESCRIPTION	REMARKS
1	89541010630	1	SOCKET WRENCH/SCREWDRIVER	17X19mm
2	X602000020	1	SOCKET WRENCH/SCREWDRIVER	17X19mm
3	89541039131	1	SOCKET WRENCH/SCREWDRIVER	10X19mm
4	89541006960	1	SOCKET WRENCH/SCREWDRIVER	13X19mm
5	X602000031	1	SOCKET WRENCH	17X14.5mm
6	89751801131	1	LOCKING ROD	5X120mm
7	89511200330	1	OPEN END WRENCH	8X10mm
8	89512220960	1	OPEN END WRENCH	17X19mm
9	89501505260	1	OPEN END WRENCH	10mm
10	89541220960	1	HEX BAR	10mm
11	89561203430	1	HEX KEY	3mm
12	89561000130	1	HEX KEY	4mm
13	89561100330	1	HEX KEY	5mm
14	X605000060	1	TORX KEY	T27
15	89581100130	1	SCREWDRIVER	125mm SLOT HEAD
16	89581203930	1	SCREWDRIVER	50mm CROSS HEAD
17	89757005560	1	CHUCK KEY	



Part Number Index

Click The Page Number After Any Part Number To View The Diagram Containing That Part.

Part Number	Page	Part Number	Page	Part Number	Page
.....	7, 9	1772274203013	9005600000517
1000110111023	1772280111013	9006000000519
1000121233123	1772344063013	9006000000615, 23
1000130041023	1772364433013	9006020000619
1000140226023	1780010236019	9006030000619
1000150012023	1780100066119	9006050000619, 23
1001000226123	1781220076119	9006170001023
1001420031023	1781230076019	9007000000413
1002130031023	2000100111019	940364620223
1002150283023	2001050076119	A0210008019
1002420111023	2001240111119	A13000058023
1002440111123	2009100111017	A2000002307
1002540013023	2009160111017	A30000015011
1015140111011	2100010346215	A31300051011
123110039309	2100110116015	A32000005011
123113096609	2100120111215	A3500006305
123114039309	2100150346015	A3580000005
123116039309	2100230346115	A3900000305
123118022619	2104000066015	A40900026021
123122036609	2104160111019	E10300009019
123124022609	2120050346015	P0030000109
123127150309	3000050076117	P0030000709
123130029609	3001050076117	P0030011809
123133042609	3002200076017	P0030011909
123134042609	3003010226017	P02100238023
123139039309	3003190161117	P02100757025
123142039309	3003280181017	P02100758023
123149260309	3513000986015	SB108423
123172260309	3630290321019	V10000015123
123173079309	8901180426215	V10400054011
129011022607	890138007605	V10500000013
130010007637	8901571113019	V49500043015
130016062327	890160033607	X50200041013
130110007607	8901680086019	X50500231013
1301131233023	8950150526027	X5060000107
130304022627	8951120033027	X50800015019
130307023627	8951222096027	X52300067121
130311007617	8954100696027	X60200002027
130317007607	8954101063027	X60200003127
130318007637	8954103913127	X60500006027
130326007637	8954122096027		
130341007607	8956100013027		
130711022607	8956110033027		
130713022607	8956120343027		
131016210605	8958110013027		
131205198315	8958120393027		
131314063205	8975180113127		
131600098615	8975700556027		
131910022605	9001000604515		
131920022605	9001400601011		
132007007605	9001420501619		
132013098205	9001420602523		
132115111315	9001460601419		
1455100226111	9001620602011		
1457150226011	9002200501617		
1458010076111	900220050507		
1458820076111	900220060157		
1501110111021	9002200602519		
1506140291021	900235050307, 15		
1506210226019	9002380502019		
1566010291221	9002420401611, 21		
1566260211121	900242050105, 17, 19		
1590101983021	9002420501411		
1590110343221	9002420501813		
1590120162021	9002420502519, 21		
1591100111011	900242060207		
1634000452119	900242060257		
1772000076013	9005000000619, 23		
1772020211013	9005020000619		
1772154313013	9005180000617		
1772184063013	9005190001021		
1772204063013	9005250000615		
1772260111013	9005300000519		



Part Description Index

Click The Page Number After Any Part Description To View The Diagram Containing That Part.

A

ADAPTOR, INTAKE.....7
AIR CLEANER ASY.....7

B

BACKPACK HARNESS KIT.....17
BAND.....7
BEARING, BALL.....23
BEARING, NEEDLE.....23
BODY, CARBURETOR.....9
BOLT.....23
BOLT 5X16.....19
BOLT 6X10.....11
BOLT 6X14.....19
BOLT 6X25.....23
BOLT 6X45.....15
BRACKET, CUSHION.....17
BRACKET, FUEL TANK.....5
BRACKET, MUFFLER COVER.....11
BRACKET, THROTTLE.....19
BRACKET, THROTTLE LEVER.....19

C

C.D. IGNITION MODULE.....21
CABLE, THROTTLE.....19
CAP ASY.....5
CAP NUT 5.....19
CAP, MIXTURE LIMITER.....9
CAP, SPARK PLUG.....21
CARBURETOR.....7
CARBURETOR -- WT-684A.....9
CARRIAGE BOLT.....19
CASE, AIR CLEANER.....7
CASE, FAN - INNER.....19
CASE, FAN - OUTER.....19
CHUCK KEY.....27
CIRCLIP.....9, 23
CLAMP.....15
CLAMP KIT.....15
CLIP.....5, 11
CLIP, SWIVEL.....9
COIL, IGNITION.....21
CONNECTOR.....23
CONTROL, THROTTLE.....19
COVER, AIR CLEANER.....7
COVER, CYLINDER.....11
COVER, FAN CASE.....19
COVER, FUEL PUMP.....9
COVER, METERING DIAPHRAGM.....9
COVER, MUFFLER.....11
CRANKCASE SET.....23
CRANKSHAFT ASY.....23
CUSHION.....17
CUSHION, BACKPACK.....17
CUSHION, FUEL TANK.....5
CYLINDER.....23

D

DIAPHRAGM, FUEL PUMP.....9
DIAPHRAGM, METERING.....9
DOWEL PIN.....23
DRUM, STARTER.....13

E

E-RING 4.....13

F

FAN.....19
FILTER, AIR.....7
FILTER, FUEL.....5
FLANGE NUT 10.....21
FLANGE NUT 6.....17
FLYWHEEL.....21
FRAME, BACKPACK.....17
FUEL PIPE KIT.....5

G

GASKET KIT.....25
GASKET, CRANKCASE.....23
GASKET, CYLINDER.....23
GASKET, EXHAUST.....11
GASKET, FUEL CAP.....5
GASKET, FUEL PUMP.....9
GASKET, INTAKE.....7
GASKET, METERING DIAPHRAGM.....9
GASKET, STARTER COVER.....13
GASKET/DIAPHRAGM KIT.....9
GRIP, STARTER.....13
GROMMET.....5, 21
GUIDE, EXHAUST.....11
GUIDE, ROPE.....13

H

HANDLE ASY.....15
HEX BAR.....27
HEX KEY.....27
HOLDER, AIR CLEANER.....7
HOLDER, VENT ASY.....5

I

INSULATOR.....7

L

LABEL - CAUTION.....19
LABEL - CAUTION -- HOT.....13
LABEL - ECHO.....13
LABEL - SPARK PLUG.....21
LABEL- STOP.....19
LABEL, CAUTION.....7
LABEL, CHOKE.....7
LABEL, ECHO.....5, 15
LABEL, NOISE.....19
LEAD.....19
LEVER, METERING.....9
LOCKING ROD.....27
LOCKNUT.....17

M

MUFFLER.....11

N

NEEDLE.....9
NUT 6.....19, 23

O

OIL SEAL.....23
OPEN END WRENCH.....23

P

PAWL, STARTER.....13
PIN, METERING LEVER.....9
PIN, PISTON.....23
PIPE, IMPULSE.....7
PISTON KIT.....23
PLATE.....7
PLUG.....19
PLUG, WELCH.....9

R

REPAIR KIT.....9
RING, HARNESS.....17
RING, PISTON.....23
ROPE, STARTER - 4X950mm.....13

S

SCREEN, INLET.....9
SCREEN, MUFFLER.....11
SCREW.....13
SCREW 5X18.....13
SCREW 4X16.....11, 21
SCREW 5X10.....5, 17, 19
SCREW 5X14.....11
SCREW 5X16.....17
SCREW 5X20.....19
SCREW 5X25.....19, 21
SCREW 5X30.....7, 15
SCREW 5X50.....7
SCREW 6X15.....7
SCREW 6X20.....7, 11
SCREW 6X25.....7, 19
SCREW, COVER.....9
SCREW, IDLE ADJUST.....9
SCREW, METERING LEVER PIN.....9
SCREW, PUMP COVER.....9
SCREW, THROTTLE VALVE.....9
SCREWDRIVER.....27
SEAT, FUEL TANK.....5
SEAT, SCREEN.....11
SHAFT, THROTTLE.....9
SHIELD, EXHAUST.....11
SHORT BLOCK.....23
SOCKET WRENCH.....27
SOCKET WRENCH/SCREWDRIVER.....27
SPACER.....23
SPARK PLUG -- BPM-8Y.....21
SPRING WASHER 6.....19, 23
SPRING, IDLE ADJUST.....9
SPRING, METERING LEVER.....9
SPRING, RETURN.....13
SPRING, REWIND.....13
SPRING, THROTTLE RETURN.....9
STARTER ASY.....13
STARTER PAWL ASY.....13
STRAIGHT BLOWER TUBE KIT.....15
STUD.....23
SWITCH, IGNITION.....19
SWIVEL.....9



Part Description Index (continued)

T

TANK, FUEL.....5
TERMINAL, SPARK PLUG CAP.....21
TORX KEY.....27
TUBE.....21
TUBE, BLOWER - ELBOW.....15
TUBE, BLOWER - FLEXIBLE.....15
TUBE, BLOWER - STRAIGHT.....15
TUBE, BLOWER - SWIVEL.....15
TUBE, CURVED.....15

V

VALVE, INLET NEEDLE.....9
VALVE, THROTTLE.....9
VENT ASY.....5

W

WASHER.....9
WASHER 10.....23
WASHER 5.....19
WASHER 6.....15, 19, 23
WASHER, HARNESS.....17
WING NUT 8.....15
WODDRUFF KEY.....23

NOTES



ECHO, INCORPORATED

400 Oakwood Road
Lake Zurich, IL 60047 USA

WWW.ECHO-USA.COM
