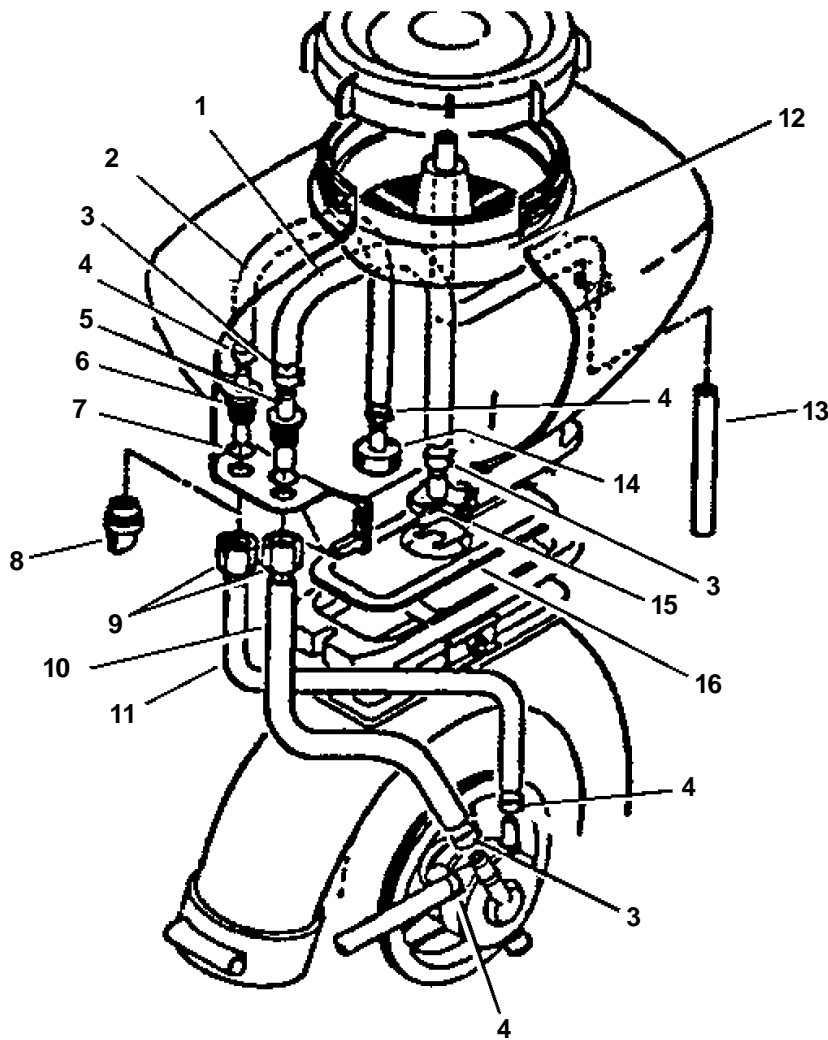
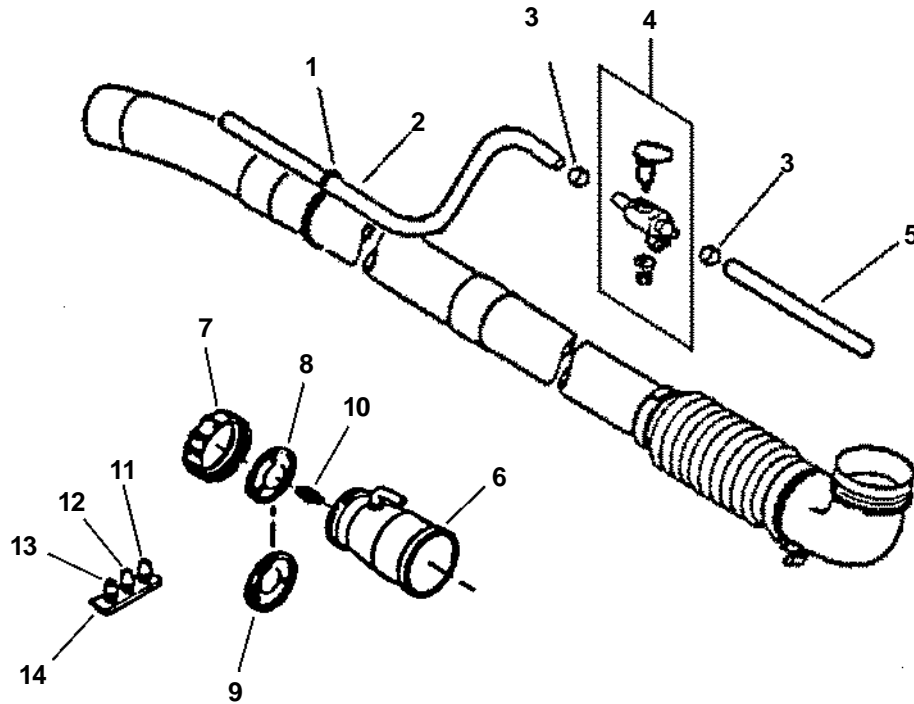


KEY	PART NUMBER	QTY	DESCRIPTION	REMARKS
1	60101001110	1	CONNECTOR	
2	40010501110	1	SHAFT, PUMP	
3	90070100030	1	CIRCLIP 30	
4	90070200032	1	CIRCLIP 32	
5	90070100012	1	CIRCLIP 12	
6	40011400210	1	PIN	
7	40011300210	1	PIN	
8	90081406201	1	BEARING	
9	40091002810	1	BASE, PUMP	
10	40091100910	3	STUD	
11	90060000004	6	WASHER 4	
12	40091200910	6	NUT, CAP 4	
13	40011800910	1	SEAT, SPRING	
14	40011700910	1	SPRING	
15	40011500910	1	SEAL, MECHANICAL	
16	90072000009	1	O-RING 9	
17	40020500910	1	BODY, PUMP	
18	40011100210	1	WASHER	
19	40011000910	1	IMPELLER	
20	90060000006	1	WASHER 6	
21	90050400006	1	NUT 6	
22	90022004038	3	SCREW, 4X38	
23	88000001111	1	CUP ASY, GREASE	
24	40021300910	1	LID PUMP	
25	40021200910	1	GASKET, PUMP	
26	90024206015	4	SCREW, 6X15	



KEY	PART NUMBER	QTY	DESCRIPTION	REMARKS
*1	-----	2	PIPE	
2	38601001110	1	PIPE	
3	35702301110	3	CLIP 14	
4	35701300210	4	CLIP 11	
5	35701001110	1	NIPPLE, OUTLET	
6	38601201110	1	NIPPLE	
7	35701401110	2	O-RING	
8	25001601110	1	PLUG	
9	35701501110	2	NUT, HOLLOW	
*10	-----	1	PIPE	
11	38601101110	1	PIPE	
12	25421000510	1	FILTER, TANK	
13	36301100210	1	PIPE	
14	38601301110	1	NIPPLE	
15	35501200910	1	PIECE, SUCTION	
16	25301001111	1	PLATE, BASE	

\*OBTAIN LOCALLY



KEY	PART NUMBER	QTY	DESCRIPTION	REMARKS
1	35791100110	1	CLIP	
2	38401001510	1	PIPE	
3	35701300210	2	CLIP 11	
4	35801000310	1	VALVE ASY	
5	36901100410	1	PIPE	
6	21260501110	1	NOZZLE, MISTING	
7	21251401110	1	NUT, MISTING NOZZLE	
8	21260001110	1	ATOMIZER, DISC (S)	
9	21260101110	1	ATOMIZER, DISC (F)	
10	22211500210	1	NOZZLE 3.2	
11	22211400210	1	NOZZLE 2.6	
12	22211100210	1	NOZZLE 1.6	
13	22211300210	1	NOZZLE 2.2	
14	22211000210	1	HOLDER, NOZZLE	