



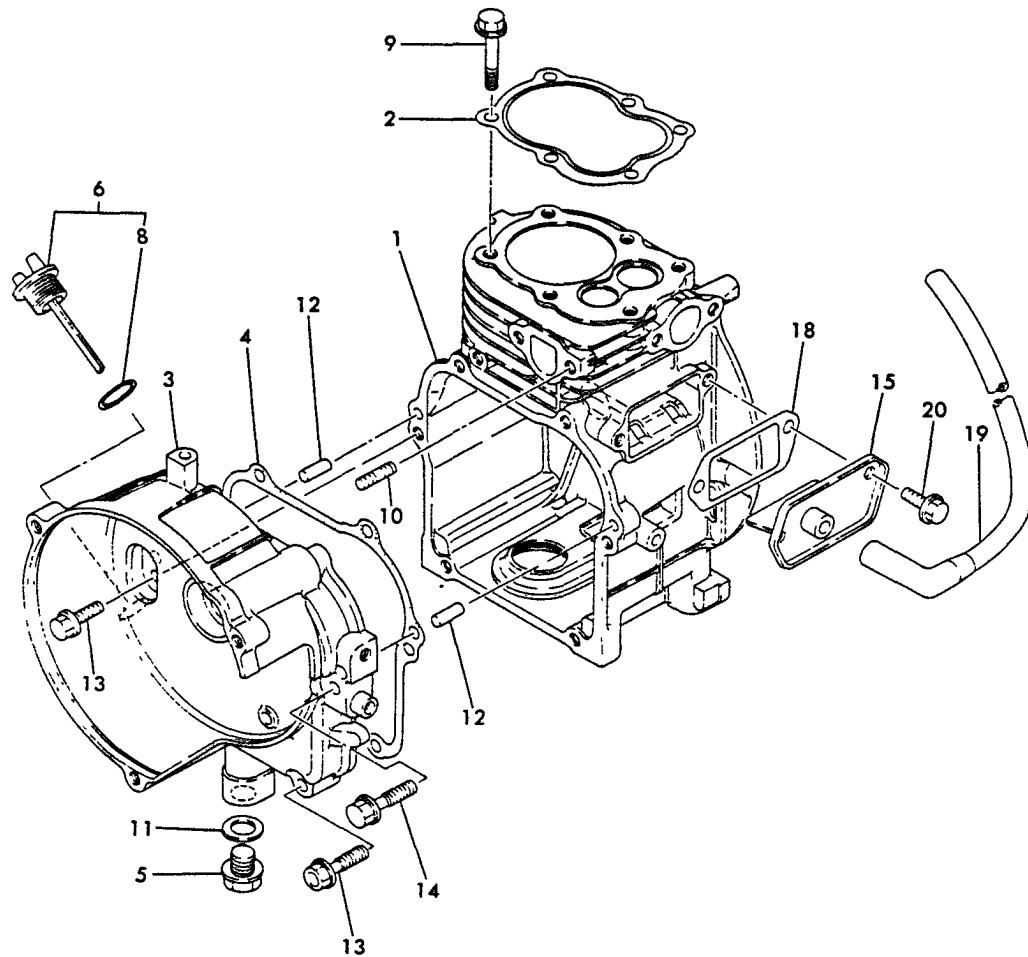
PARTS CATALOGUE

EG-750



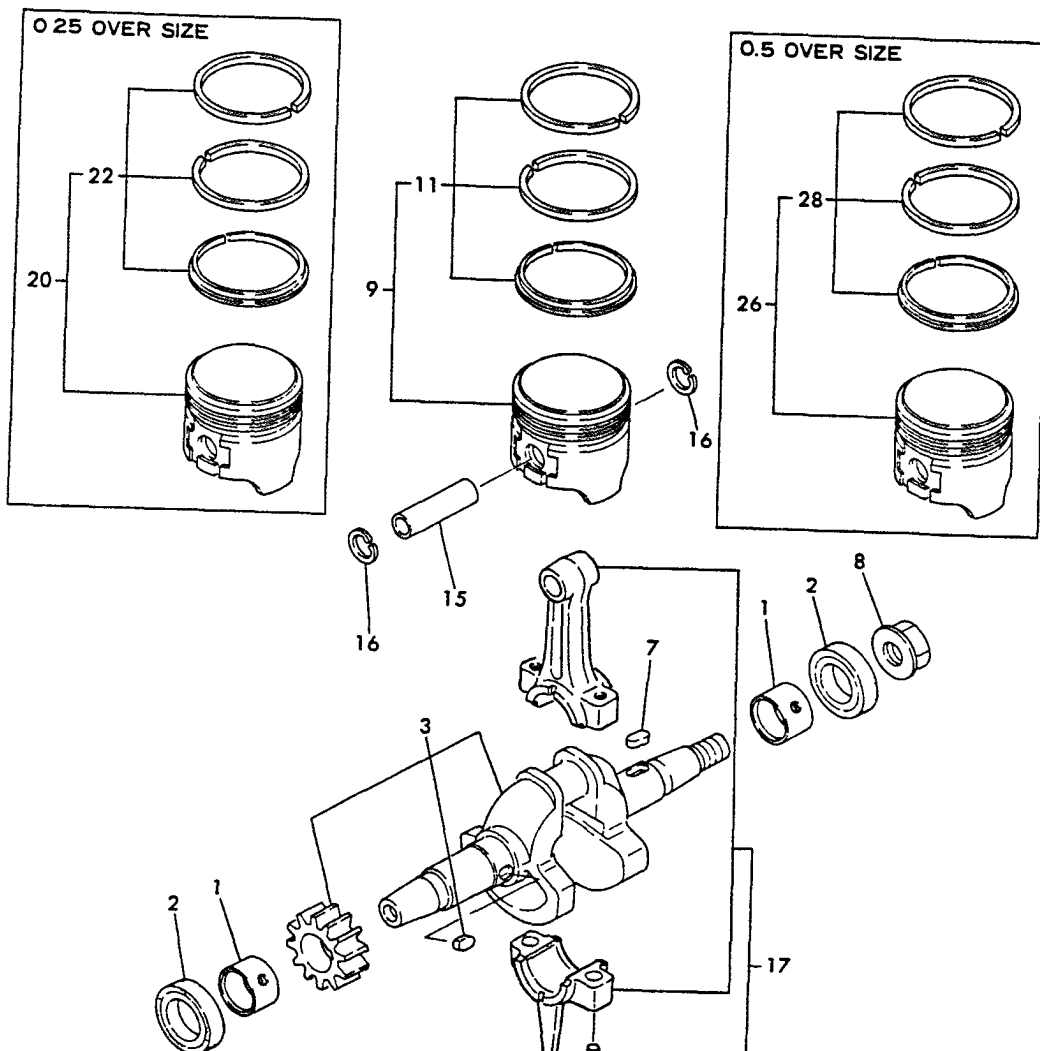
898 595-8026 0

1 CYLINDER BODY, BREATHER



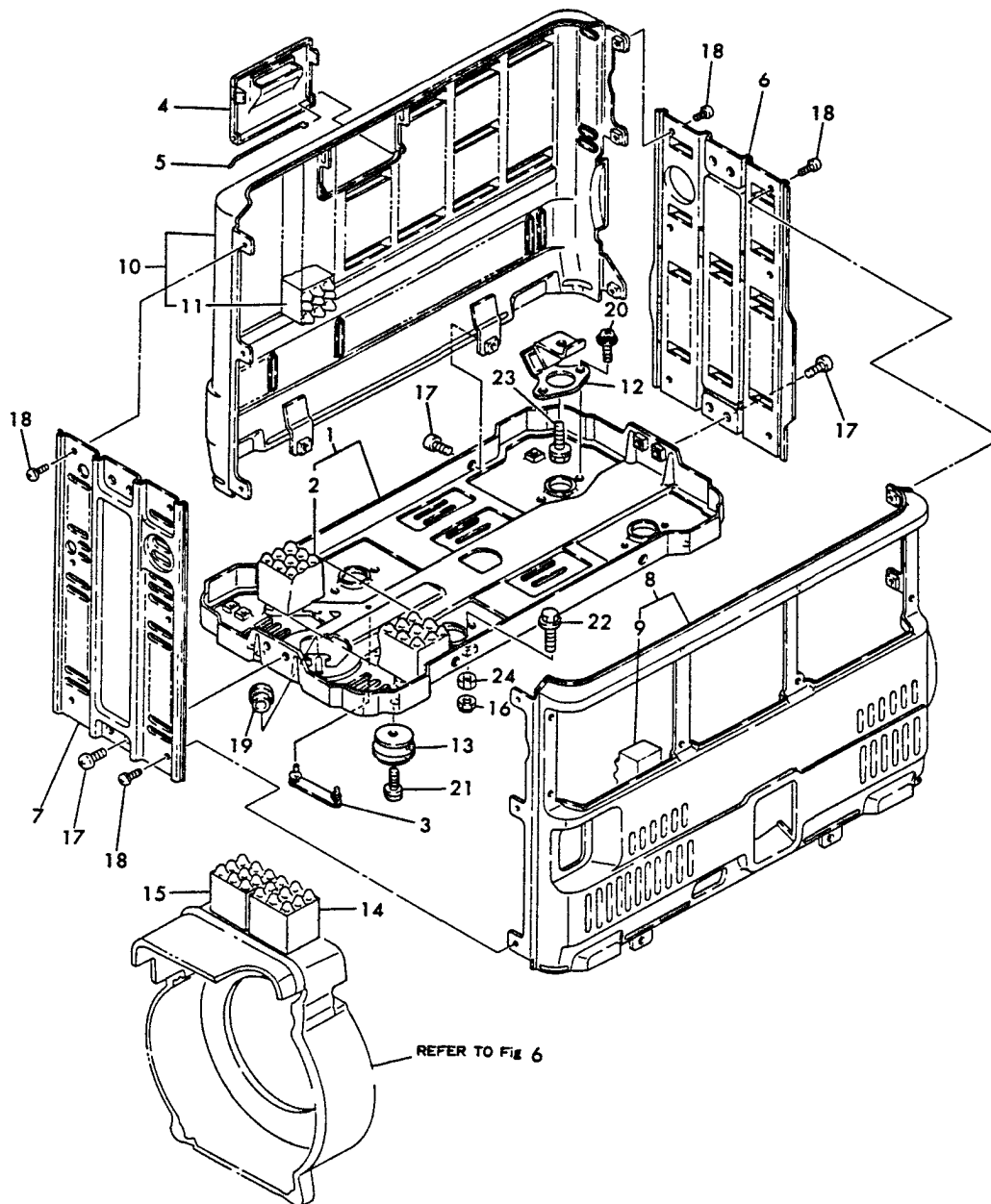
REF. NO.	LEV.	O	PART NO.	DESCRIPTION	-----Q'TY-----					
					(A)	(B)	(C)	(D)	(E)	(F)
1	.	Y	160667-01010	BODY, CYLINDER	1					
2	.	Y	160664-01330	GASKET, HEAD	1					
3	.	Y	160667-01400	COVER, CRANKCASE	1					
4	.	Y	160664-01410	GASKET, CRANKCASE	1					
5	.	Y	160610-01690	PLUG, DRAIN	1					
6	.	Y	160560-01740	CAP ASSY, LUB. OIL	1					
8	..	Y	24311-000150	O-RING 15-P	1					
9	..	Y	160610-04360	BOLT M 6X 35	6					
10	.	Y	160610-04620	BOLT M 6X 16	2					
11	.	Y	104200-59170	GASKET 12	1					
12	.	Y	22312-060160	PARALLEL PIN 6X16	2					
13	.	Y	26476-060252	BOLT M 6X 25	5					
14	.	Y	26476-060302	BOLT M 6X 30	1					
15	.	Y	160664-03010	BREATHER ASSY	1					
18	.	Y	160664-03070	GASKET, BREATHER	1					
19	.	Y	160667-03180	PIPE, BREATHER	1					
20	.	Y	26476-060142	BOLT M 6X 14	2					

2 BEARING, CRANKSHAFT, PISTON, ROD



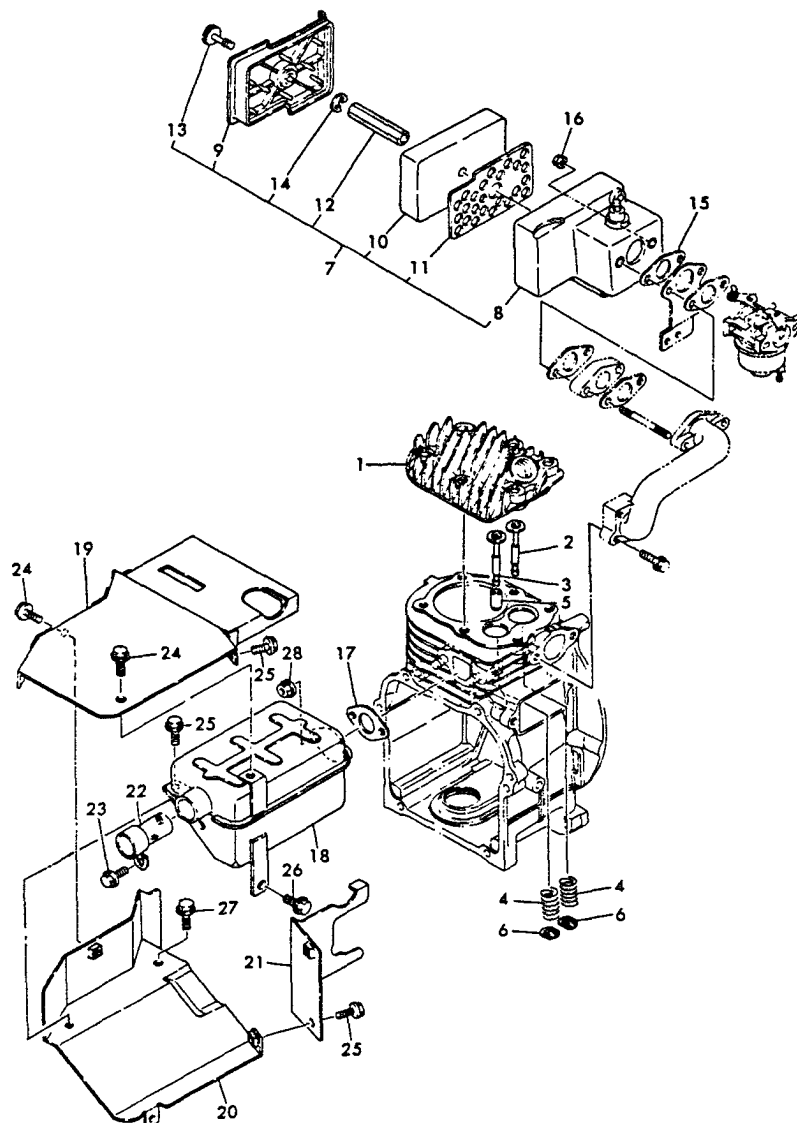
REF. NO.	LEV.	O	PART NO.	DESCRIPTION	-----Q'TY-----					
					(A)	(B)	(C)	(D)	(E)	(F)
1	.	Y	160664-02100	BEARING	2					
2	.	Y	160510-02220	SEAL TC17 30 6, OIL	2					
3	.	Y	760667-21700	CRANKSHAFT ASSY.	1					
7	.	Y	160610-21290	KEY 4X10	1					
8	.	Y	26376-100002	NUT M10, FLANGE	1					
9	.	Y	160664-22010	PISTON W/RING	1					
11	..	Y	760664-22500	RING SET, PISTON	1					
15	.	Y	160664-22300	PIN, PISTON	1					
16	.	Y	22252-000110	CIRCLIP 11-H	2					
17	.	Y	760664-23700	ROD ASSY, CONNECTING	1					
19	..	Y	160664-23200	BOLT, ROD	2					
20	.	Y	160664-22470	PISTON ASY, O.S.=0.25	1					
22	..	Y	760664-22540	RING SET O.S.=0.25	1					
26	.	Y	160664-22480	PISTON ASY, O.S.=0.5	1					
28	..	Y	760664-22550	RING SET O.S.=0.5	1					

3 CASE



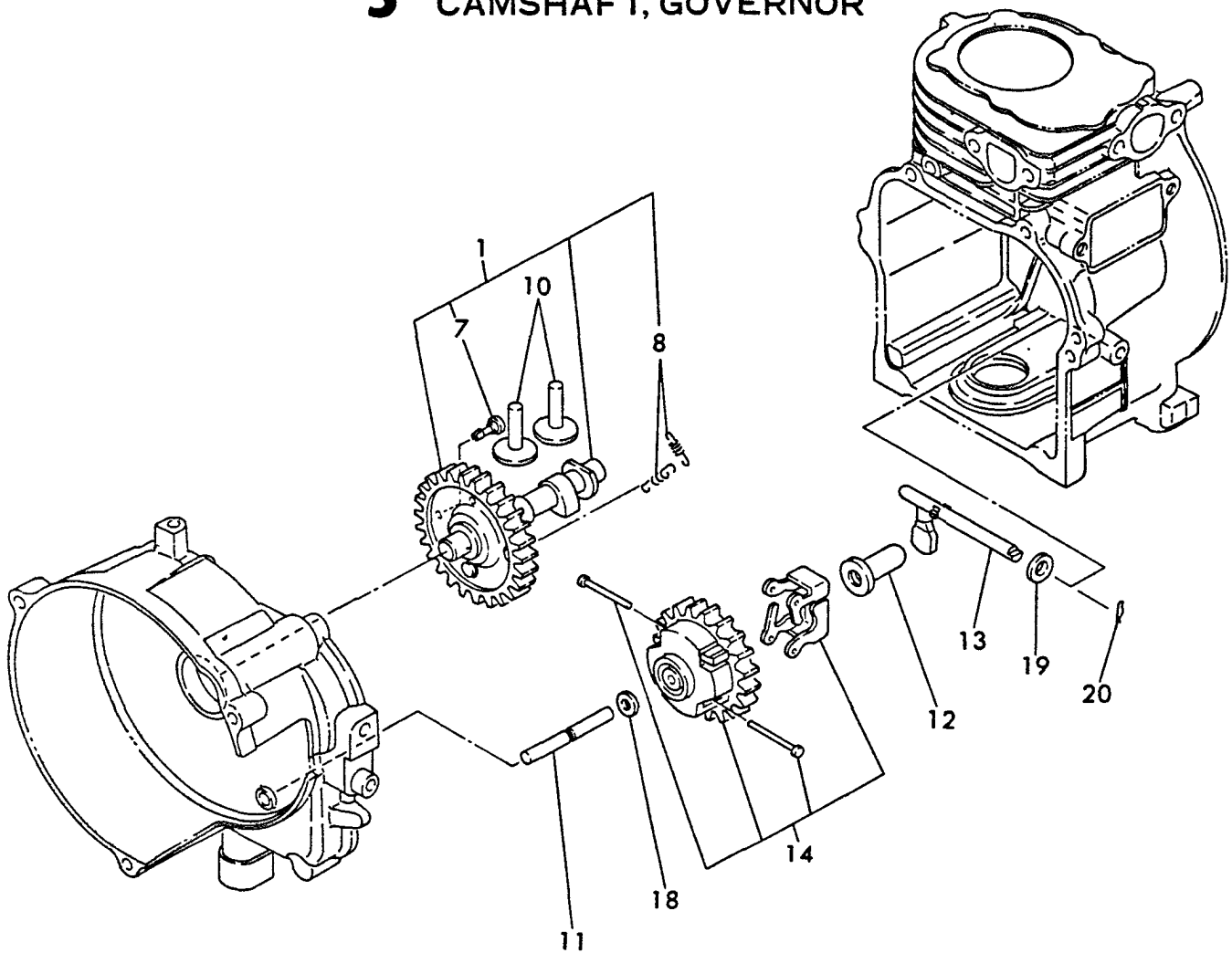
REF. NO.	LEV. 0	PART NO.	DESCRIPTION	-----Q'TY-----					
				(A)	(B)	(C)	(D)	(E)	(F)
1	.	Y 183210-08040	CASE, BOTTOM						1
2	..	Y 183210-08290	URETHANE FOAM (E)						1
3	.	Y 183210-08050	HOLDER, TOOL						1
4	.	Y 183210-08060	PLUG, BLIND						1
5	.	Y 183210-08070	SPRING, HINGE						1
6	.	Y 783210-08820	SIDE CASE, RIGHT						1
7	.	Y 183210-08090	SIDE CASE, LEFT						1
8	.	Y 783210-08880	CASE, FRONT						1
9	..	Y 183210-08270	URETHANE FOAM (C)						1
10	.	Y 783210-08940	CASE ASSY, REAR						1
11	..	Y 183210-08280	URETHANE FOAM (D)						1
12	.	Y 183210-08220	DAMPER (A)						4
13	.	Y 183210-08230	DAMPER (B)						4
14	.	Y 183210-08250	URETHANE FOAM (A)						1
15	.	Y 183210-08260	URETHANE FOAM (B)						1
16	.	Y 183210-08810	NUT, EARTH						1
17	.	Y 183210-08850	SCREW M 6X 10						12
18	.	Y 183210-08860	SCREW M 4X 8						12
19	.	Y 183720-55210	GROMMET, FUEL TANK						1
20	.	Y 26023-060122	SCREW M 6X 12 W/SW						8
21	.	Y 26023-060122	SCREW M 6X 12 W/SW						4
22	.	Y 26113-060162	BOLT M 6X 16 PLATED						1
23	.	Y 26106-080142	BOLT M 8X 14 PLATED						4
24	.	Y 26753-060002	LOCK NUT M 6 PLATED						1

4 CYLINDER HEAD, AIR CLEANER, MUFFLER



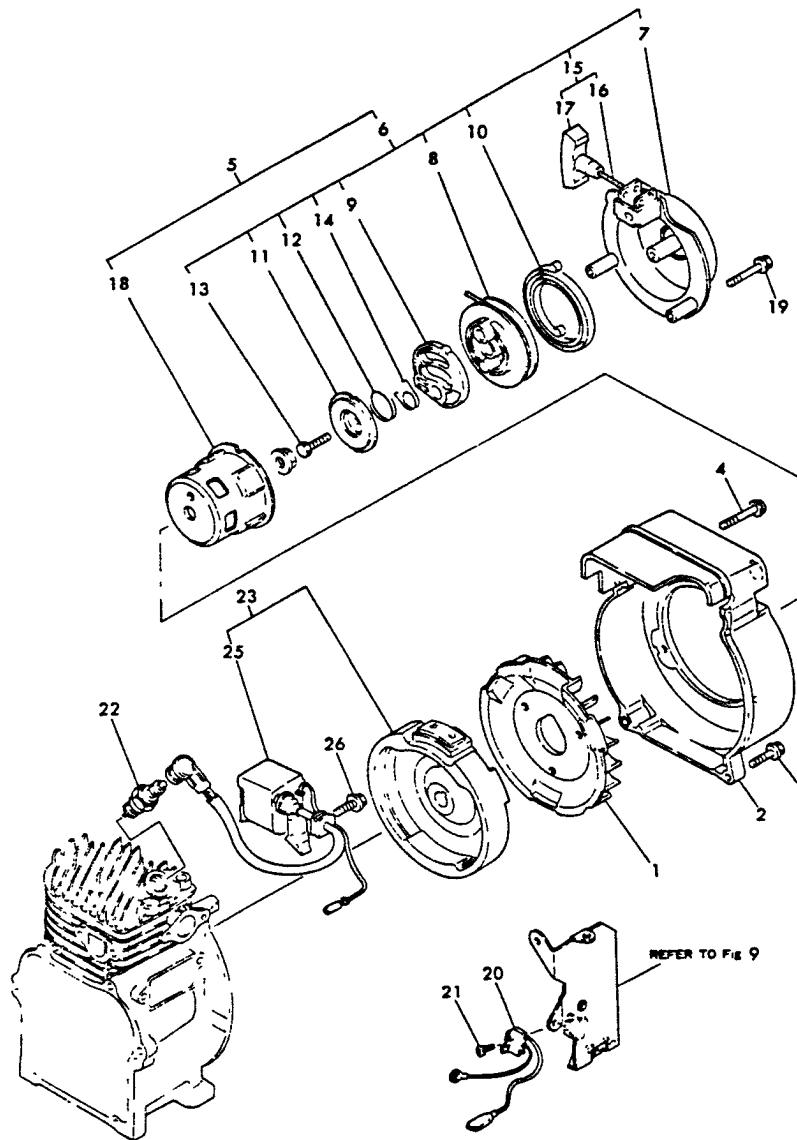
REF. NO.	LEV. O	PART NO.	DESCRIPTION	-----Q'TY-----					
				(A)	(B)	(C)	(D)	(E)	(F)
1	.	Y 160664-11010	HEAD, CYLINDER	1					
2	.	Y 160664-11100	VALVE, SUCTION	1					
3	.	Y 160664-11110	VALVE, EXHAUST	1					
4	.	Y 160664-11120	SPRING, VALVE	2					
5	.	Y 160664-11160	GUIDE, VALVE	1					
6	.	Y 160664-11180	RETAINER	2					
7	.	Y 760667-12570	CLEANER ASSY, AIR	1					
8	..	Y 160667-12520	BODY, AIR CLEANER	1					
9	..	Y 760667-12540	CAP, AIR CLEANER	1					
10	..	Y 160667-12540	ELEMENT, AIR CLEANER	1					
11	..	Y 160667-12550	HOLDER, ELEMENT	1					
12	..	Y 160667-12560	NUT	1					
13	..	Y 160667-12570	SCREW	1					
14	..	Y 22272-000050	SNAP RING 5	1					
15	.	Y 160510-56150	GASKET, CARRURETOR	1					
16	.	Y 26366-060002	NUT M6, FLANGE	1					
17	.	Y 160664-13200	GASKET, SILENCER	1					
18	.	Y 160667-13500	SILENCER	1					
19	.	Y 160667-13700	GUIDE A	1					
20	.	Y 160667-13710	GUIDE B	1					
21	.	Y 160667-13720	GUIDE C	1					
22	.	Y 160667-13880	SPARK ARRESTER	1					
23	.	Y 26106-060082	BOLT M 6X 8 PLATED	1					
24	.	Y 26106-060082	BOLT M 6X 8 PLATED	2					
25	.	Y 26106-060082	BOLT M 6X 8 PLATED	3					
26	.	Y 26106-060122	BOLT M 6X 8 PLATED	1					
27	.	Y 26476-060142	BOLT M 6X 8 PLATED	1					
28	.	Y 26366-060002	NUT M6, FLANGE	2					

5 CAMSHAFT, GOVERNOR



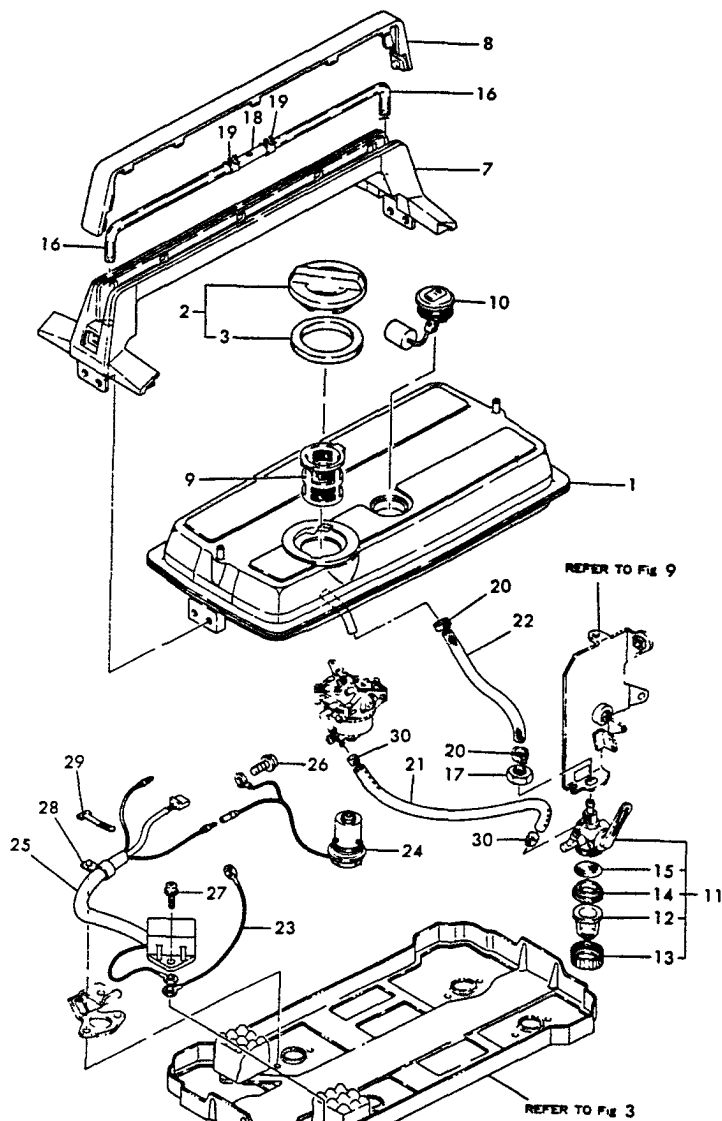
REF. NO.	LEV. 0	PART NO.	DESCRIPTION	-----Q'TY-----					
				(A)	(B)	(C)	(D)	(E)	(F)
1	.	Y 160664-14100	CAMSHAFT ASSY.	1					
7	..	Y 160664-14550	PIN	1					
8	..	Y 160664-14560	SPRING	1					
10	.	Y 160664-14200	TAPPET	2					
11	.	Y 160610-61100	SHAFT, GOVERNOR	1					
12	.	Y 160610-61300	SPINDLE, GOVERNOR	1					
13	.	Y 160664-61310	SHAFT, GOVERNOR	1					
14	.	Y 160664-61600	GEAR W/WEIGHT	1					
18	.	Y 160120-76940	WASHER	1					
19	.	Y 22137-060000	WASHER 6	1					
20	.	Y 22360-060000	SNAP PIN 6, RP	1					

6 FAN CASE, STARTER, STOP SWITCH, FLY. MAG.



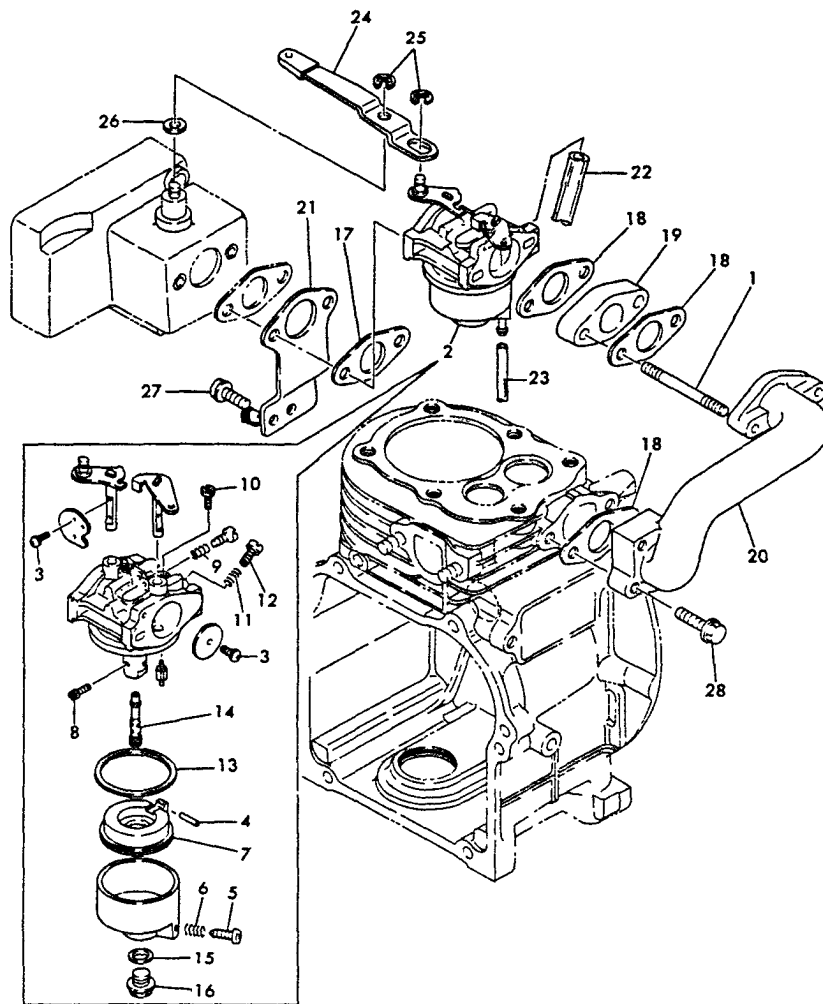
REF. NO.	LEV. 0	PART NO.	DESCRIPTION	-----Q'TY-----					
				(A)	(B)	(C)	(D)	(E)	(F)
1	.	Y160664-45010	FAN, COOLING	1					
2	.	Y160667-45110	CASE, FAN	1					
3	.	Y26476-060252	BOLT M 6X 25	3					
4	.	Y26476-060302	BOLT M 6X 30	1					
5	.	Y160667-76050	STARTER, RE-COIL	1					
6	..	Y160667-76250	RE-COIL ASSY	1					
7	...	Y160667-76510	CASE ASSY, STARTER	1					
8	...	Y160667-76520	REEL	1					
9	...	Y160660-76530	RATCHT	1					
10	...	Y160667-76540	SPRING, SPIRAL	1					
11	...	Y160667-76580	PLATE, FRICTION	1					
12	...	Y160667-76560	SPRING, FRICTION	1					
13	...	Y160667-76570	BOLT	1					
14	...	Y160667-76550	SPRING, RETURN	1					
15	...	Y160667-76610	ROPE ASSY	1					
16	Y160667-76620	ROPE, STARTER	1					
17	Y160667-76630	KNOB, STARTER	1					
18	..	Y160667-76590	PULLEY, STARTER	1					
19	.	Y26106-060352	BOLT M 6X 35 PLATED	3					
20	.	Y160667-77250	SWITCH, STOP	1					
21	.	Y22857-200100	SCREW M 2X 10	2					
22	.	Y160520-78010	SPARK PLUG	1					
23	.	Y160667-78060	FLYWHEEL MAGNETO	1					
25	..	Y160667-78510	IGNITER	1					
26	.	Y26476-060252	BOLT M 6X 25	2					

7 F.O. TANK, F.O. PIPE, OIL SENSOR



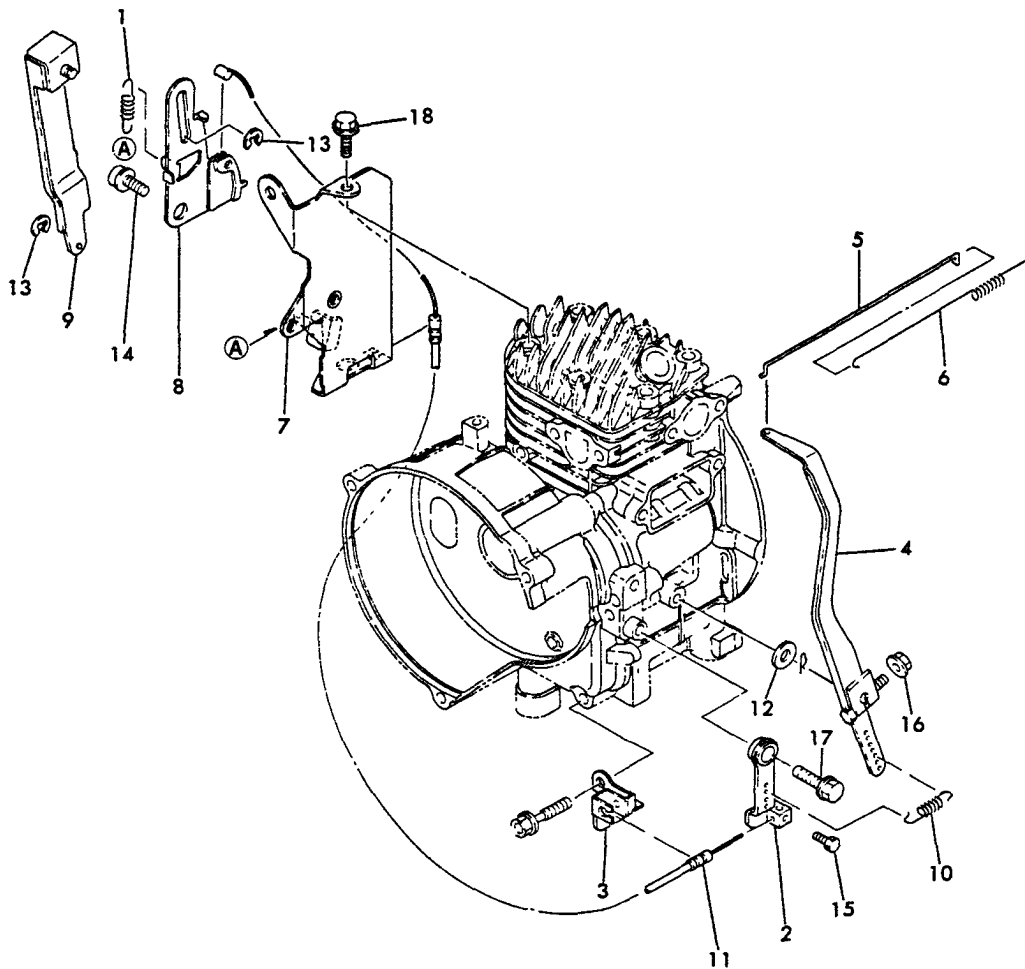
REF. NO.	LEV. 0	PART NO.	DESCRIPTION	-----Q'TY-----					
				(A)	(B)	(C)	(D)	(E)	(F)
1	.	Y 783210-55720	TANK ASSY, FUEL	1					
2	.	Y 183210-55030	CAP ASSY, FUEL TANK	1					
3	..	Y 183210-55090	GASKET, CAP	1					
7	.	Y 183210-55051	GRIP ASSY, FUEL TANK	1					
8	.	Y 183210-55081	CAP, GRIP	1					
9	.	Y 183210-55110	FILTER, FUEL	1					
10	.	Y 183210-55150	GAUGE, FUEL	1					
11	.	Y 183210-55300	COCK ASSY, FUEL	1					
12	..	Y 160710-55390	BOWL, STRAINER	1					
13	..	Y 160710-55360	RETAINER	1					
14	..	Y 160710-55370	GASKET	1					
15	..	Y 160210-55380	STRAINER, FUEL	1					
16	.	Y 183210-55140	HOSE	2					
17	.	Y 26776-120002	LOCK NUT M12 PLATED	1					
18	.	Y 183210-55130	JOINT	1					
19	.	Y 124060-77680	CLAMP	2					
20	.	Y 106990-44660	CLAMP	2					
21	.	Y 160667-59360	PIPE B, FUEL	1					
22	.	Y 160667-59350	PIPE A, FUEL	1					
23	.	Y 160667-78210	WIRE A	1					
24	.	Y 160667-78800	SENSOR, OIL LEVEL	1					
25	.	Y 160667-78810	UNIT, OIL SENSOR	1					
26	.	Y 26023-060122	SCREW M 6X 12 W/SW	1					
27	.	Y 26023-060122	SCREW M 6X 12 W/SW	1					
28	.	Y 160260-78700	CLAMP	1					
29	.	Y 160370-78950	BAND, WIRE	1					
30	.	Y 124060-77680	CLAMP 10, HOSE	2					

8 CARBURETOR



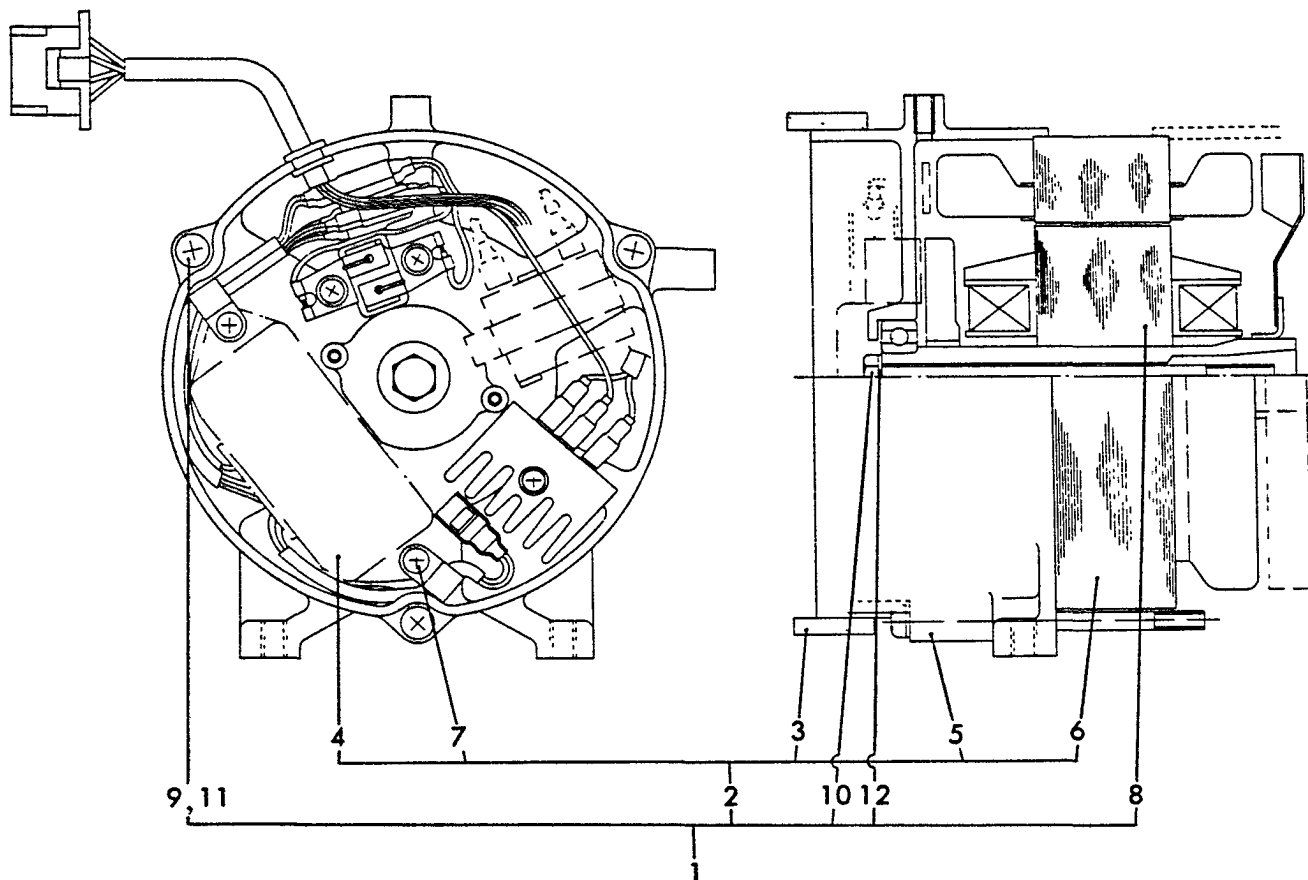
REF. NO.	LEV. 0	PART NO.	DESCRIPTION	-----Q'TY-----					I P/U A R
				(A)	(B)	(C)	(D)	(E)	
1	.	Y 160667-56860	BOLT M 6X 82	2					
2	.	Y 160667-56011	CARBURETOR ASSY	1					
3	..	Y 160667-56760	SCREW	3					
4	..	Y 160667-56630	PIN	1					
5	..	Y 160610-56090	SCREW	1					
6	..	Y 181230-56380	SPRING	1					
7	..	Y 160667-56620	FLOAT ASSY	1					
8	..	Y 160667-56650	JET, MAIN	1					
9	..	Y 181130-56640	SPRING	1					
10	..	Y 160667-56740	JET, PILOT	1					
11	..	Y 181130-56640	SPRING	1					
12	..	Y 160667-56750	SCREW, ADJUSTING	1					
13	..	Y 160510-56610	GASKET	1					
14	..	Y 160667-56800	NOZZLE, MAIN	1					
15	..	Y 160910-56550	GASKET	1					
16	..	Y 160910-56660	BOLT	1					
17	.	Y 160510-56150	GASKET, CARBURETOR	1					
18	.	Y 160667-56150	GASKET, CARBURETOR	3					
19	.	Y 160667-56160	SPACER, MANIFOLD	1					
20	.	Y 160667-56850	INTAKE MANIFOLD	1					
21	.	Y 160667-56870	SUPPORT	1					
22	.	Y 160667-56880	HOSE	1					
23	.	Y 160730-56880	HOSE	1					
24	.	Y 160667-56900	LEVER, CHOKE	1					
25	.	Y 22272-000050	SNAP RING 5	2					
26	.	Y 23418-060000	NYLON PACKING -6	1					
27	.	Y 26023-060122	SCREW M 6X 12 W/SW	2					
28	.	Y 26106-060252	BOLT M 6X 20 PLATED	2					

9 ENGINE CONTROL DEVICE



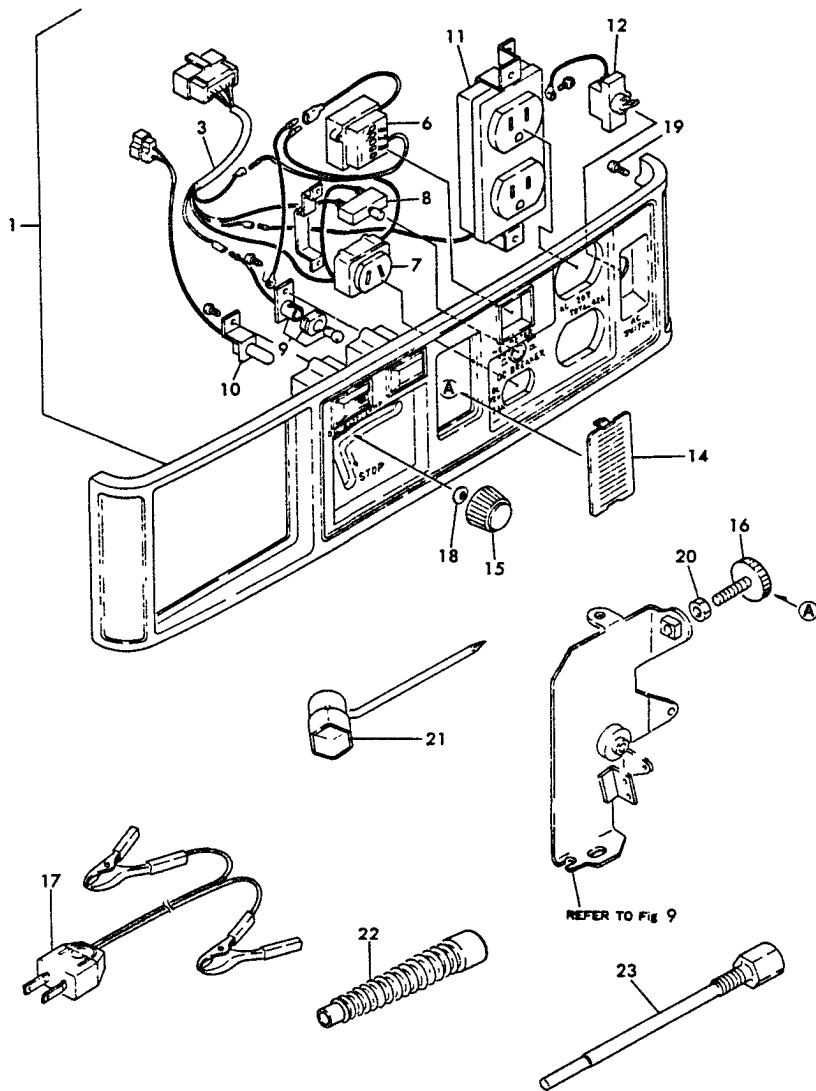
REF. NO.	LEV. O	PART NO.	DESCRIPTION	-----Q'TY-----					
				(A)	(B)	(C)	(D)	(E)	(F)
1	.	Y 160667-66020	SPRING, REGULATOR	1					
2	.	Y 160667-66050	HANDLE ASSY	1					
3	.	Y 160667-66110	WIRE HOLDER	1					
4	.	Y 160667-66150	LEVER, GOVERNOR	1					
5	.	Y 160667-66200	LINK, THROTTLE	1					
6	.	Y 160667-66210	SPRING, TENSION	1					
7	.	Y 160667-66300	BRACKET, CONT. LEVER	1					
8	.	Y 160667-66310	LEVER, CONTROL	1					
9	.	Y 160667-66320	LEVER, CONT. SHIFT	1					
10	.	Y 160667-66330	SPRING, CONT. LEVER	1					
11	.	Y 160667-66380	THROTTLE WIRE ASSY	1					
12	.	Y 160120-76940	WASHER	1					
13	.	Y 22272-000050	SNAP RING 5	2					
14	.	Y 183210-08850	SCREW M 6X 10	1					
15	.	Y 26117-040088	BOLT M 4X 8 PLATED	1					
16	.	Y 26366-060002	NUT M6, FLANGE	1					
17	.	Y 26476-060142	BOLT M 6X 14	1					
18	.	Y 26476-060142	BOLT M 6X 14	2					

10 GENERATOR



REF. NO.	LEV. 0	PART NO.	DESCRIPTION	-----Q'TY-----					
				(A)	(B)	(C)	(D)	(E)	(F)
1	.	Y 183210-74070	GENERATOR	1					
2	..	Y 183210-74220	STATOR ASSY	1					
3	...	Y 183210-74250	URATHANE FOAM	1					
4	...	Y 183210-74260	CONDENSER	1					
5	...	Y 183210-74280	COVER, REAR	1					
6	...	Y 183210-74300	STATOR	1					
7	...	Y 183620-74310	SCREW M 5X10	2					
8	..	Y 183210-74360	ROTOR ASSY	1					
9	..	Y 183210-74410	THROUGH BOLT	3					
10	..	Y 183210-74430	BOLT, HARD	1					
11	..	Y 22217-060000	SPRING WASHER 6	3					
12	..	Y 22217-080000	SPRING WASHER 8	1					

11 PANEL, TOOLS



REF. NO.	LEV.	O	PART NO.	DESCRIPTION	-----Q'TY-----					
					(A)	(B)	(C)	(D)	(E)	(F)
1	.	Y	783210-91500	PANEL BOARD ASSY	1					
3	...	Y	183210-91120	WIRE HARNESS	1					
6	...	Y	183210-91320	FREQUENCY METER	1					
7	...	Y	183210-91330	DC CONSENT	1					
8	...	Y	183210-91340	DC PROTECTOR	1					
9	...	Y	183210-91350	PILOT LAMP	1					
10	...	Y	183210-91360	SIGNAL LAMP, OIL	1					
11	...	Y	183210-91380	AC CONSENT	1					
12	...	Y	183210-91390	AC BREAKER	1					
14	.	Y	183210-91090	BLIND COVER	1					
15	.	Y	183210-91210	KNOB	1					
16	.	Y	183210-91250	SCREW, ADJUSTING	1					
17	.	Y	183210-91880	CABLE, CHARGING	1					
18	.	Y	22287-040000	WASHER 4	1					
19	.	Y	160610-04260	SCREW M4X8	8					
20	.	Y	26757-060002	LOCK NUT M6, PLATED	1					
21	.	Y	160667-92700	BOX SPANNER	1					
22	.	Y	183210-91890	OIL FUNNEL	1					
23	.	Y	183210-92350	REMOVAL TOOL, ROTOR	1					OPTIONAL PART.

12 LABELS



2

Max output	0.75KVA
Rated output	0.68KVA
A C Voltage	120V
Frequency	60Hz
Phase	1 φ
D C Voltage	12V
Current	8.3A
Made in Japan	

3

WARNING
Muffler - hot surface
Do not touch

4

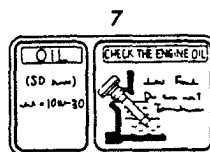
OPERATION

1. Turn the engine stop switch to the "ON" position.
2. Turn the engine stop switch to the "START" position.
3. When the engine starts, turn the engine stop switch to the "STOP" position.
4. Turn the engine stop switch to the "STOP" position.
5. Turn the engine stop switch to the "STOP" position.

5

WARNING

1. Do not touch the engine or the generator when the engine is running.
2. Do not touch the engine or the generator when the engine is running.
3. Do not touch the engine or the generator when the engine is running.
4. Do not touch the engine or the generator when the engine is running.
5. Do not touch the engine or the generator when the engine is running.



8

AIR FILTER

1. Clean frequently.
2. Follow correct cleaning instructions.

9

RUN ↔ CHOKE

10

⏚
GRD

11

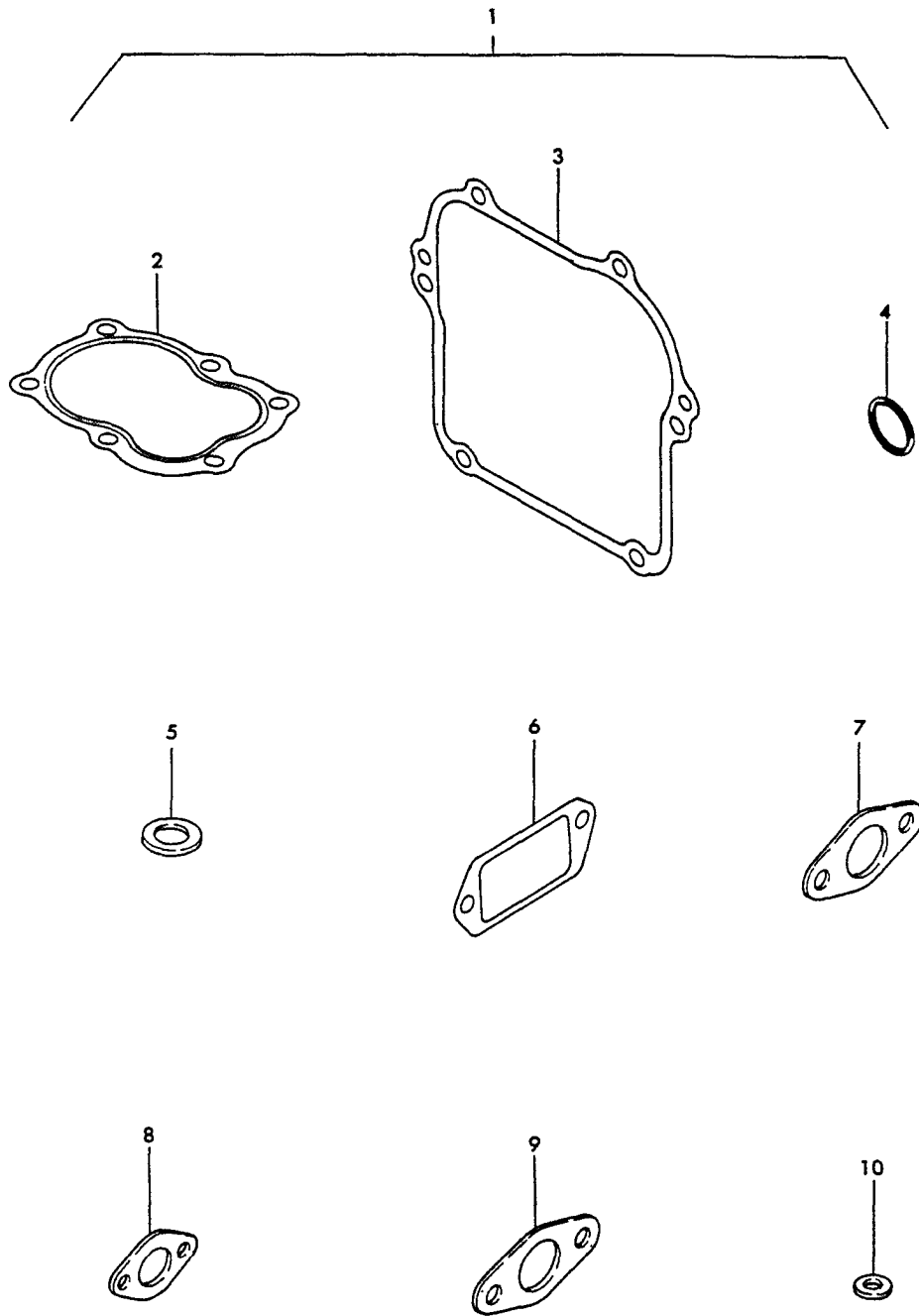
DO NOT OPERATE WITH COVER REMOVED

12

AC TOTAL 5.7A

REF. NO.	LEV. 0	PART NO.	DESCRIPTION	Q'TY					
				(A)	(B)	(C)	(D)	(E)	(F)
1	.	Y 183210-07120	LABEL (EG750)	1					
2	.	Y 183210-07150	LABEL, GENERATOR	1					
3	.	Y 183210-07210	LABEL, MUFFLER CAUT.	1					
4	.	Y 183210-07250	LABEL, OPERATION	1					
5	.	Y 183210-07260	LABEL, WARNING	1					
6	.	Y 183210-07270	LABEL, NON FIRE	1					
7	.	Y 183210-07290	LABEL, OIL	1					
8	.	Y 183210-07370	LABEL, AIR CLEANER	1					
9	.	Y 183210-07380	LABEL, CHOKE	1					
10	.	Y 183210-07390	LABEL, EARTH	1					
11	.	Y 183210-07700	LABEL, CASE CAUTION	2					
12	.	Y 183210-07800	LABEL, AMPERE	1					

13 GASKET SET (OPTIONAL)



REF. NO.	LEV. 0	PART NO.	DESCRIPTION	-----Q'TY-----					
				(A)	(B)	(C)	(D)	(E)	(F)
1	.	Y 760667-92600	GASKET SET	1					
2	..	Y 160664-01330	GASKET, HEAD	1					
3	..	Y 160664-01410	GASKET, CRANKCASE	1					
4	..	Y 24311-000150	O-RING 15-P	1					
5	..	Y 104200-59170	GASKET 12	1					
6	..	Y 160664-03070	GASKET, BREATHER	1					
7	..	Y 160510-56150	GASKET, CARBURETOR	2					
8	..	Y 160664-13200	GASKET, MUFFLER	1					
9	..	Y 160667-56150	GASKET, CARBURETOR	3					
10	..	Y 23418-060000	NYLON PACKING -6	1					