



---

**OPTIONAL ATTACHMENTS & ACCESSORIES****Accessories**

99946400010 3 Foot Extension

**Guide Bars**

1080373301 Guide Bar - 8" (.050" Ga)

1100373901 Guide Bar - 10" (.043" Ga)

1101373901 Guide Bar - 10" (.050" Ga)

1102373901 Guide Bar - 10" (.050" Ga) -- Intenz

**Sawing Chains**

1907039 Sawing Chain - 10" (.043" Ga) -- Micro-Lite

1917033 Sawing Chain - 8" (.050" Ga) -- Low Profile

1917039 Sawing Chain - 10" (.050" Ga) -- Low Profile

**PARTS CATALOG****PPF-210 Power Pruner****21.2cc****SERIAL NUMBERS**

---

S/N: 05001001 - 05999999

---

**ECHO, INCORPORATED**

400 Oakwood Road Lake Zurich, Illinois 60047 USA

WWW.ECHO-USA.COM



# Table of Contents

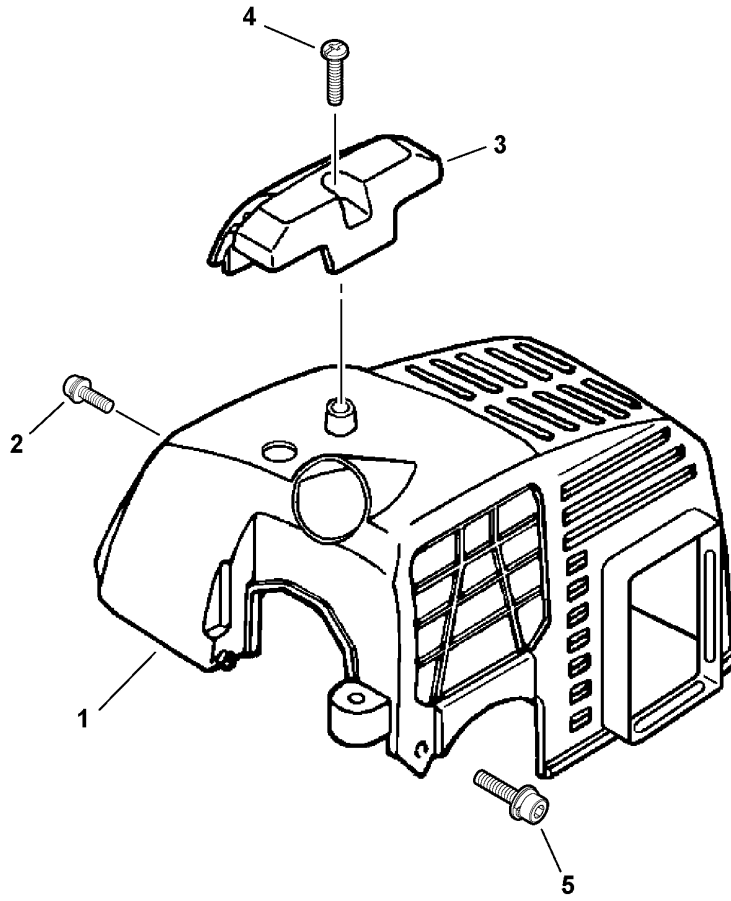
---

Click Any Diagram Description Below To View That Diagram.

## **PPF-210 S/N: 05001001 - 05999999**

Cylinder Cover.....	4
Fuel System.....	6
Starter.....	8
Case, Clutch.....	10
Intake.....	12
Carburetor -- RB-K66B S/N: 05001001 - 05010614.....	14
Carburetor -- RB-K70 S/N: 05010615 - 05999999.....	16
Exhaust.....	18
Ignition.....	20
Engine, Short Block -- SB1065.....	22
Guide Bar, Sawing Chain, Guide Bar Cover.....	24
Gear Case, Auto-Oiler.....	26
Main Pipe Assembly, Driveshaft.....	28
Control Handle, Throttle Cable, Ignition Switch.....	30
Shoulder Strap.....	32
Labels.....	34
Gasket Kit.....	36
Tools.....	38
Part Number Index.....	40
Part Description Index.....	41

***This Page Intentionally Left Blank***

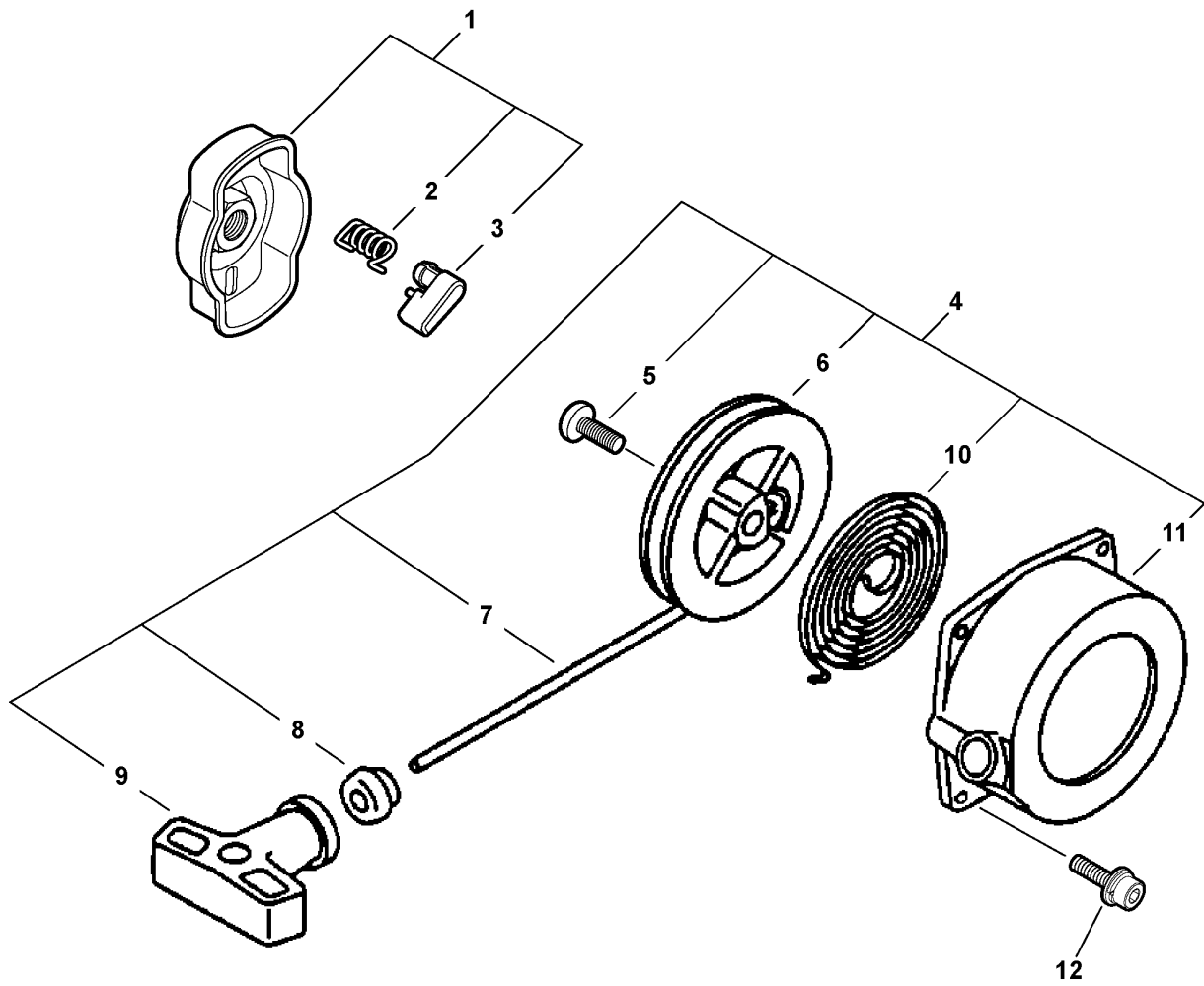


001 0025 000

ITEM	PART NUMBER	QTY	DESCRIPTION	REMARKS
1	A160000192	1	COVER, CYLINDER	
2	90023804012	2	SCREW 4X12	
3	15991244530	1	GUARD, TOP	
4	90025305016	1	SCREW 5X16	
5	90016304016	2	SCREW 4X16	



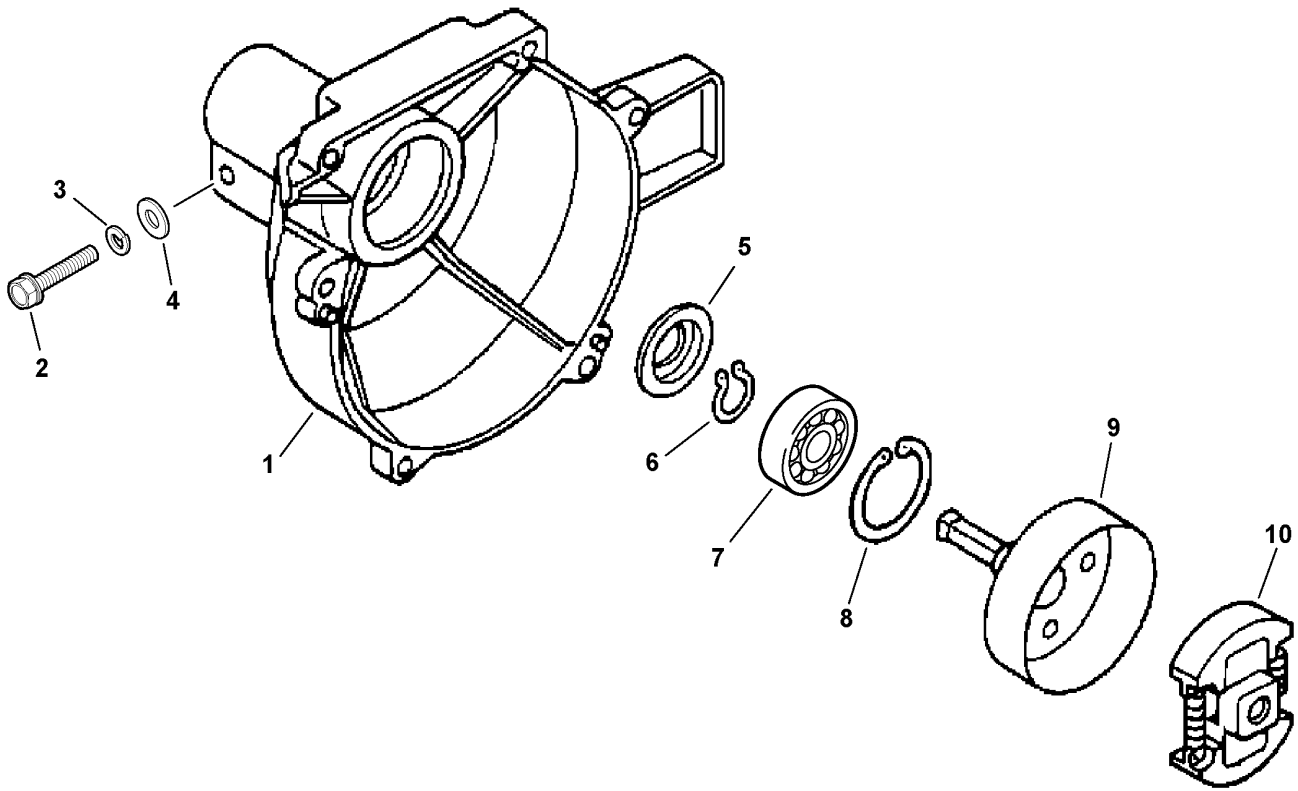
ITEM	PART NUMBER	QTY	DESCRIPTION	REMARKS
1	A350000220	1	TANK, FUEL	
2	90060300005	2	WASHER 5	
3	90023805020	2	SCREW 5X20	
4	13100455530	1	CAP ASY	INCLUDES ITEMS 5-6
5	13105156030	1	CONNECTOR, FUEL CAP	
6	13101655830	1	GASKET, FUEL TANK CAP	
7	V137000030	1	GROMMET	
8	13120507320	1	FILTER, FUEL	
9	13201309820	1	CLIP	
10	V471001190	1	PIPE, FUEL - 3X5X180mm	REPOWER BULK OPTION: 90014
11	V471001200	1	PIPE, VENT - 3X5X70mm	REPOWER BULK OPTION: 90014
12	A356000030	1	VENT ASY	
13	13201256030	1	PIPE, RETURN - 3X6X80mm	REPOWER BULK OPTION: 90017
14	30511042030	1	STAND	
15	90016204020	2	SCREW 4X20	
16	V150001640	1	EYE PLATE	
17	90016304016	2	SCREW 4X16	



004 0036 000

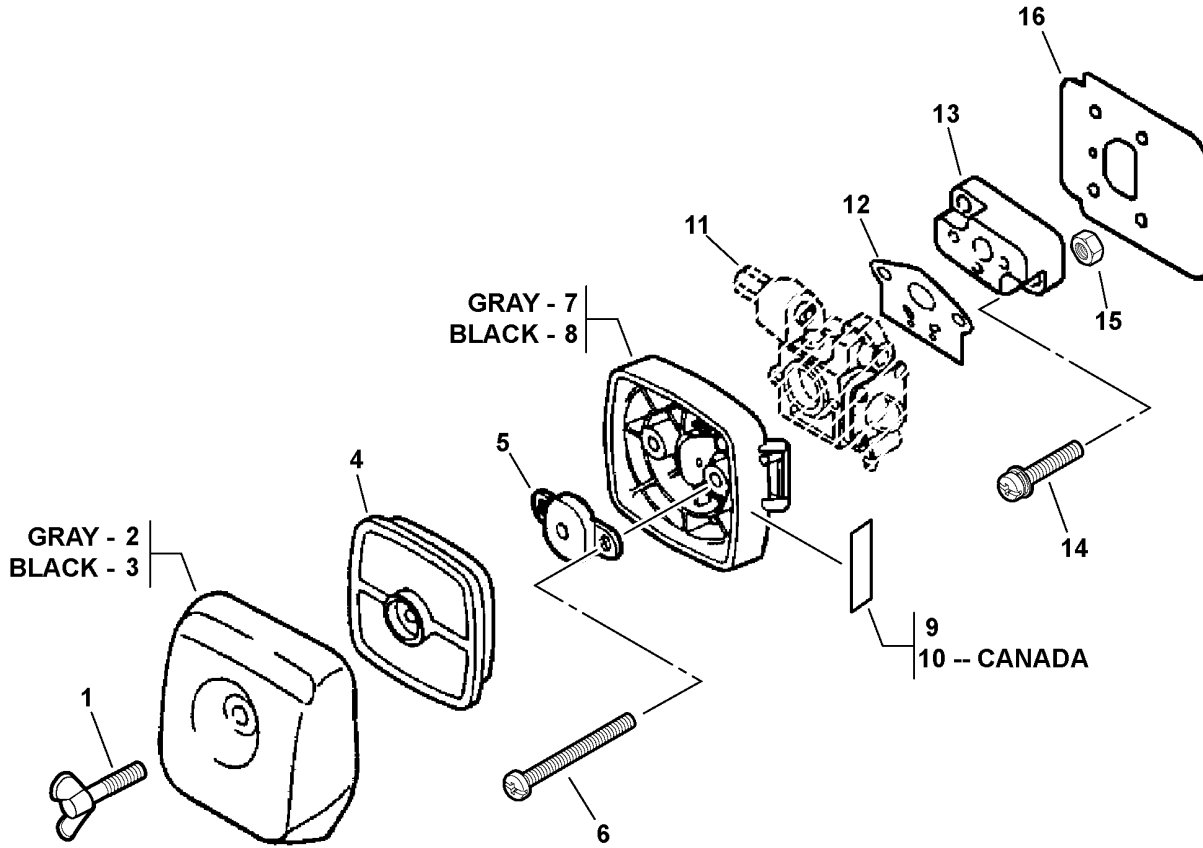


ITEM	PART NUMBER	QTY	DESCRIPTION	REMARKS
1	17720244331	1	STARTER PAWL ASY	INCLUDES ITEMS 2-3
2	17723442030	1	SPRING, RETURN	
3	17721844330	1	PAWL, STARTER	
4	17720042033	1	STARTER ASY	INCLUDES ITEMS 5-11
5	17723644330	1	SCREW	
6	17721544330	1	DRUM, STARTER	
7	17722610120	1	ROPE, STARTER - 3X1000mm	REPOWER BULK OPTION: 99944440000
8	17722742030	1	GUIDE, ROPE	
9	17722806530	1	GRIP, STARTER	
10	17722042030	1	SPRING, REWIND	
11	17723242030	1	CASE, STARTER	
12	90016304016	4	SCREW 4X16	



003 0003 000

ITEM	PART NUMBER	QTY	DESCRIPTION	REMARKS
1	10151144630	1	COVER, FAN	
2	90016205025	1	SCREW 5X25	
3	90060500005	1	SPRING WASHER 5	
4	90060000005	1	WASHER 5	
5	17505304920	1	STOPPER	
6	90070100012	1	CIRCLIP 12	
7	90081406201	1	BEARING, BALL 6201	
8	90070200032	1	CIRCLIP 32	
9	17500542030	1	DRUM, CLUTCH	
10	17500056830	1	CLUTCH ASY	

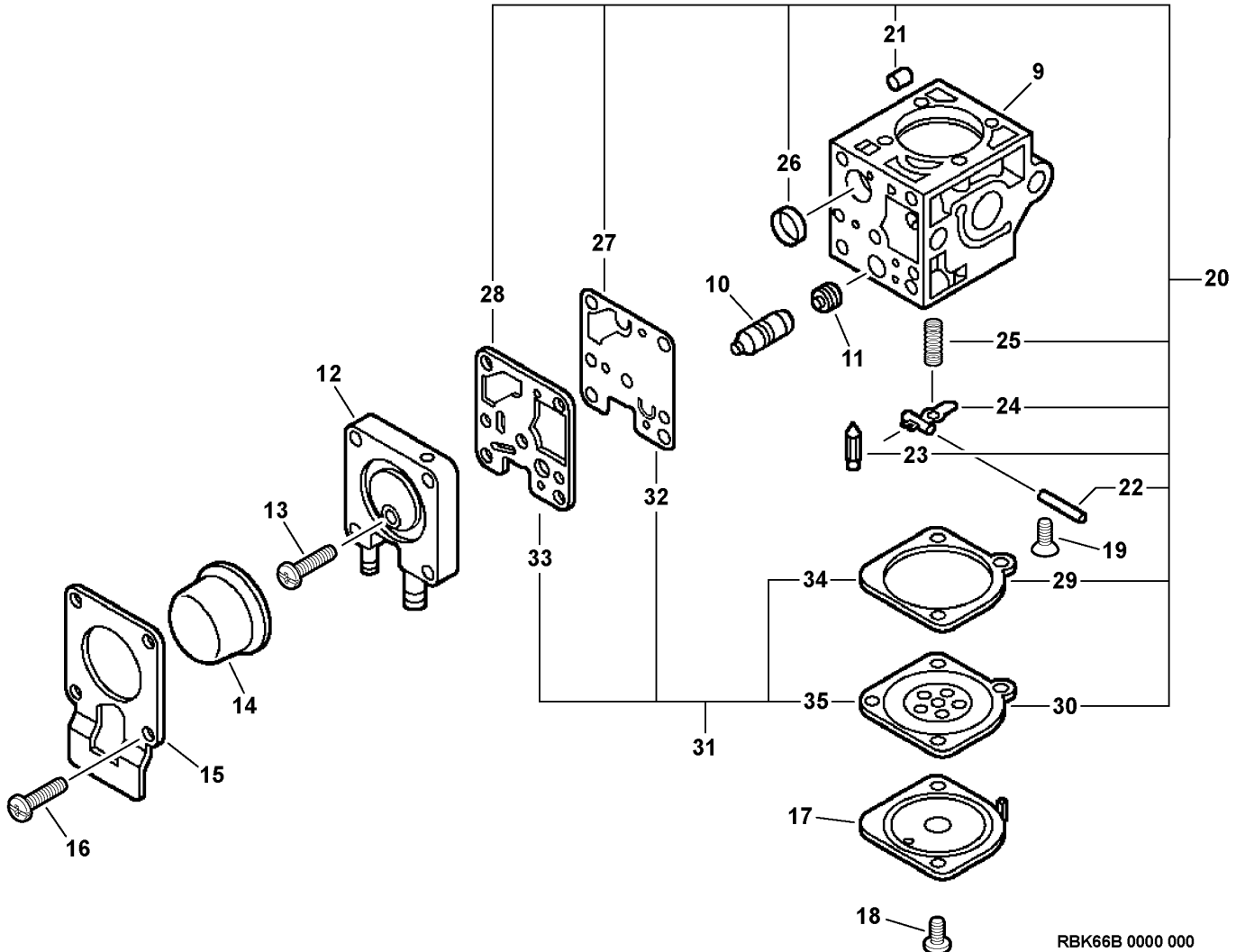
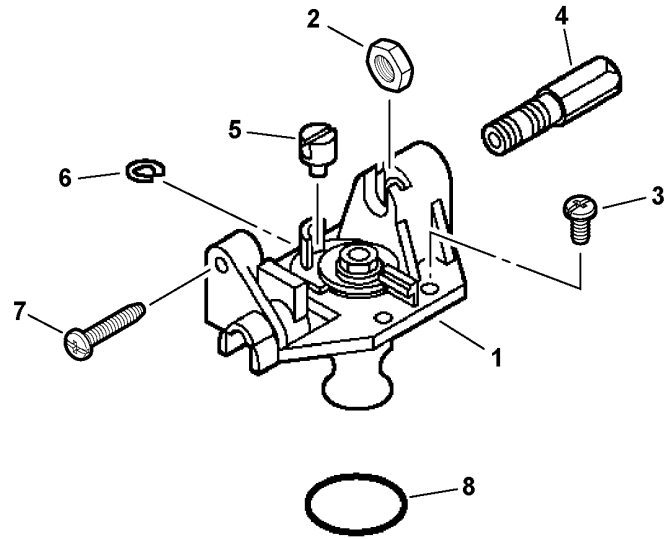


005 0007 000

ITEM	PART NUMBER	QTY	DESCRIPTION	REMARKS
1	21041752730	1	WING BOLT	
2	13031306563	1	LID, AIR CLEANER - GRAY	
3	13031305863	1	LID, AIR CLEANER - BLACK	
4	13031054130	1	FILTER, AIR <sup>1</sup>	
5	12901152730	1	PLATE, PREVENT	
6	90022005065	2	SCREW 5X65	
7	P021000991	1	CASE, AIR CLEANER - GRAY	
8	P021004480	1	CASE, AIR CLEANER - BLACK	
9	89012152730	1	LABEL - CHOKE	
10	89012152730	1	LABEL - CHOKE	CANADA MODELS
11	-----	1	CARBURETOR	See Carburetor Diagram For Additional Information
12	13001013410	1	GASKET, INTAKE <sup>2</sup>	
13	13001744330	1	INSULATOR, INTAKE	
14	90023805020	2	SCREW 5X20	
15	90050000005	2	NUT 5	
16	13001042032	1	SHIELD, CYLINDER <sup>2</sup>	

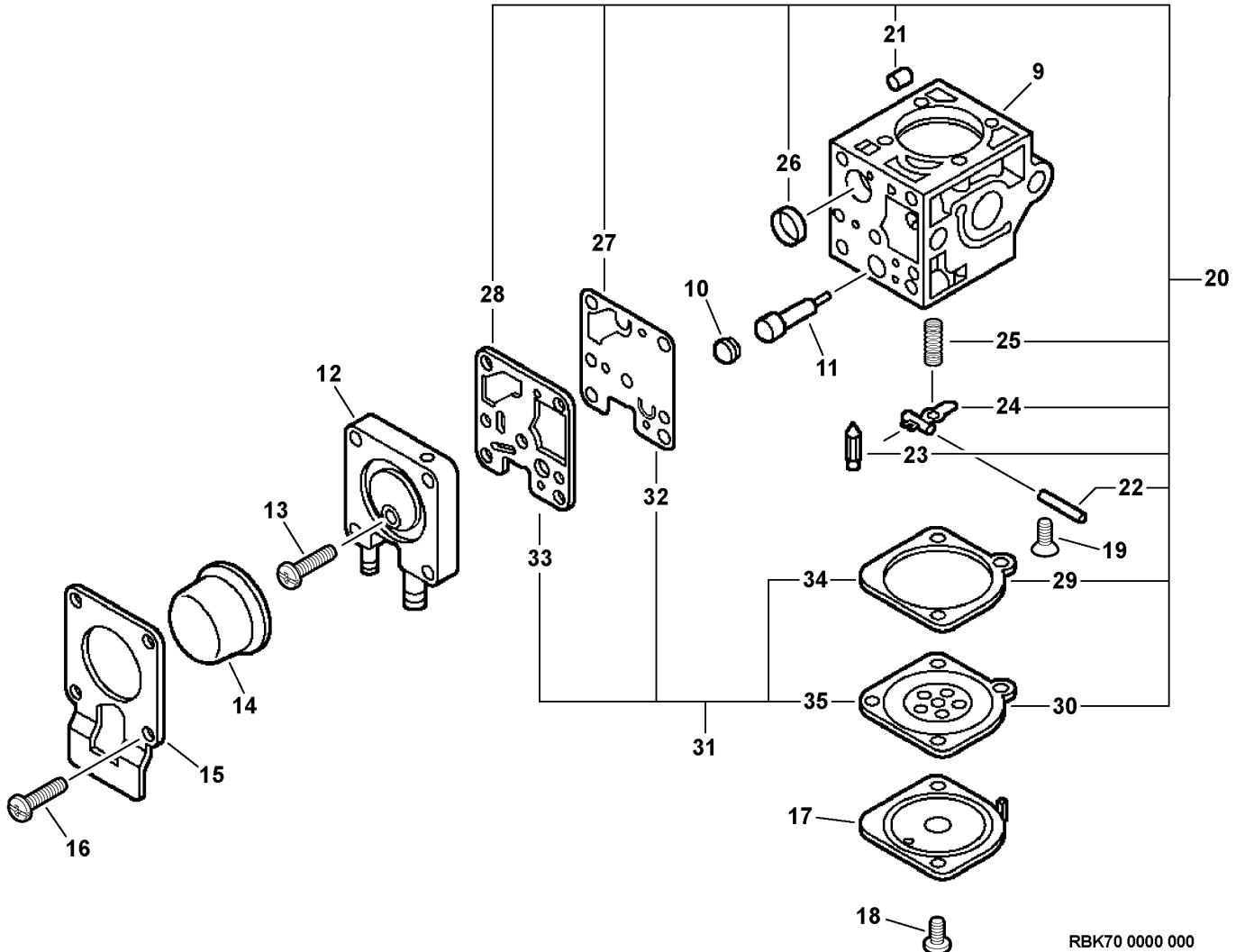
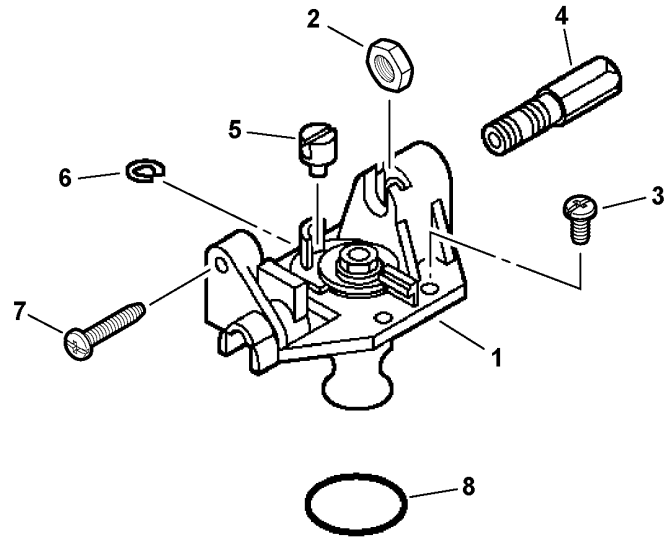
**Footnotes**

- 1: Also Included In REPOWER TUNE-UP KIT
- 2: Also Included In GASKET KIT



RBK66B 0000 000

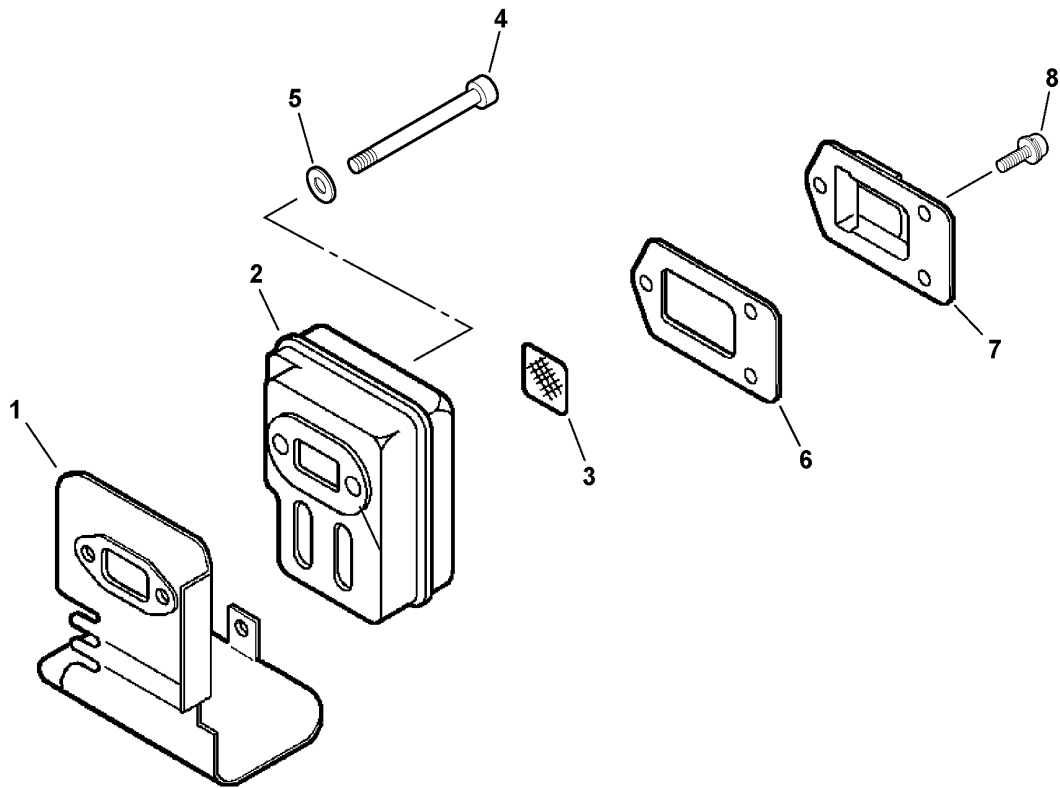
ITEM	PART NUMBER	QTY	DESCRIPTION	REMARKS
	A021000382	1	CARBURETOR -- RB-K66B	
1	P005000690	1	ROTOR COVER ASY	
2	P005000120	1	NUT, CABLE	
3	12534413931	3	SCREW, ROTOR COVER ASY	
4	P005000700	1	SCREW, CABLE ADJUST	
5	P005000180	1	SWIVEL	
6	P005000190	1	E-RING	
7	P005000100	1	SCREW, THROTTLE ADJUST	
8	P005000280	1	O-RING	
9	-----	1	BODY, CARBURETOR	NOT AVAILABLE SEPARATELY
10	P005000370	1	PLUG KIT	
11	P005000570	1	JET	
12	P005000930	1	PURGE BASE ASY	
13	P005000270	1	SCREW, PURGE BASE ASY	
14	12538108660	1	BULB, PURGE	
15	P005000250	1	RETAINER, PURGE BULB	
16	12531061830	4	SCREW, PURGE BULB RETAINER	
17	12534252130	1	COVER, DIAPHRAGM	
18	12534452130	2	SCREW, DIAPHRAGM COVER	
19	12533942030	1	SCREW, METERING LEVER PIN	
20	P005000950	1	REPAIR KIT	INCLUDES ITEMS 21-30
21	P005001000	1	ROLLER, GUIDE	
22	-----	1	PIN, METERING LEVER	
23	-----	1	VALVE, INLET NEEDLE	
24	-----	1	LEVER, METERING	
25	-----	1	SPRING, METERING LEVER	
26	-----	1	STRAINER	
27	-----	1	DIAPHRAGM, PUMP	
28	-----	1	GASKET, PUMP	
29	-----	1	GASKET, METERING	
30	-----	1	DIAPHRAGM, METERING	
31	P005000550	1	DIAPHRAGM/GASKET KIT	INCLUDES ITEMS 32-35
32	-----	1	DIAPHRAGM, PUMP	
33	-----	1	GASKET, PUMP	
34	-----	1	GASKET, METERING	
35	-----	1	DIAPHRAGM, METERING	



RBK70 0000 000



ITEM	PART NUMBER	QTY	DESCRIPTION	REMARKS
	A021000720	1	CARBURETOR -- RB-K70	
1	P005001230	1	ROTOR COVER ASY	
2	P005000120	1	NUT, CABLE	
3	12534413931	3	SCREW, ROTOR COVER ASY	
4	P005000700	1	SCREW, CABLE ADJUST	
5	P005001240	1	SWIVEL	
6	P005000190	1	E-RING	
7	P005000100	1	SCREW, THROTTLE ADJUST	
8	P005000280	1	O-RING	
9	-----	1	BODY, CARBURETOR	NOT AVAILABLE SEPARATELY
10	P005001270	1	PLUG	
11	P005001260	1	NEEDLE - HIGH SPEED	
12	P005000930	1	PURGE BASE ASY	
13	P005000270	1	SCREW, PURGE BASE ASY	
14	12538108660	1	BULB, PURGE	
15	P005000250	1	RETAINER, PURGE BULB	
16	12531061830	4	SCREW, PURGE BULB RETAINER	
17	12534252130	1	COVER, DIAPHRAGM	
18	12534452130	2	SCREW, DIAPHRAGM COVER	
19	12533942030	1	SCREW, METERING LEVER PIN	
20	P005000950	1	REPAIR KIT	INCLUDES ITEMS 21-30
21	P005001000	1	ROLLER, GUIDE	
22	-----	1	PIN, METERING LEVER	
23	-----	1	VALVE, INLET NEEDLE	
24	-----	1	LEVER, METERING	
25	-----	1	SPRING, METERING LEVER	
26	-----	1	STRAINER	
27	-----	1	DIAPHRAGM, PUMP	
28	-----	1	GASKET, PUMP	
29	-----	1	GASKET, METERING	
30	-----	1	DIAPHRAGM, METERING	
31	P005000550	1	DIAPHRAGM/GASKET KIT	INCLUDES ITEMS 32-35
32	-----	1	DIAPHRAGM, PUMP	
33	-----	1	GASKET, PUMP	
34	-----	1	GASKET, METERING	
35	-----	1	DIAPHRAGM, METERING	

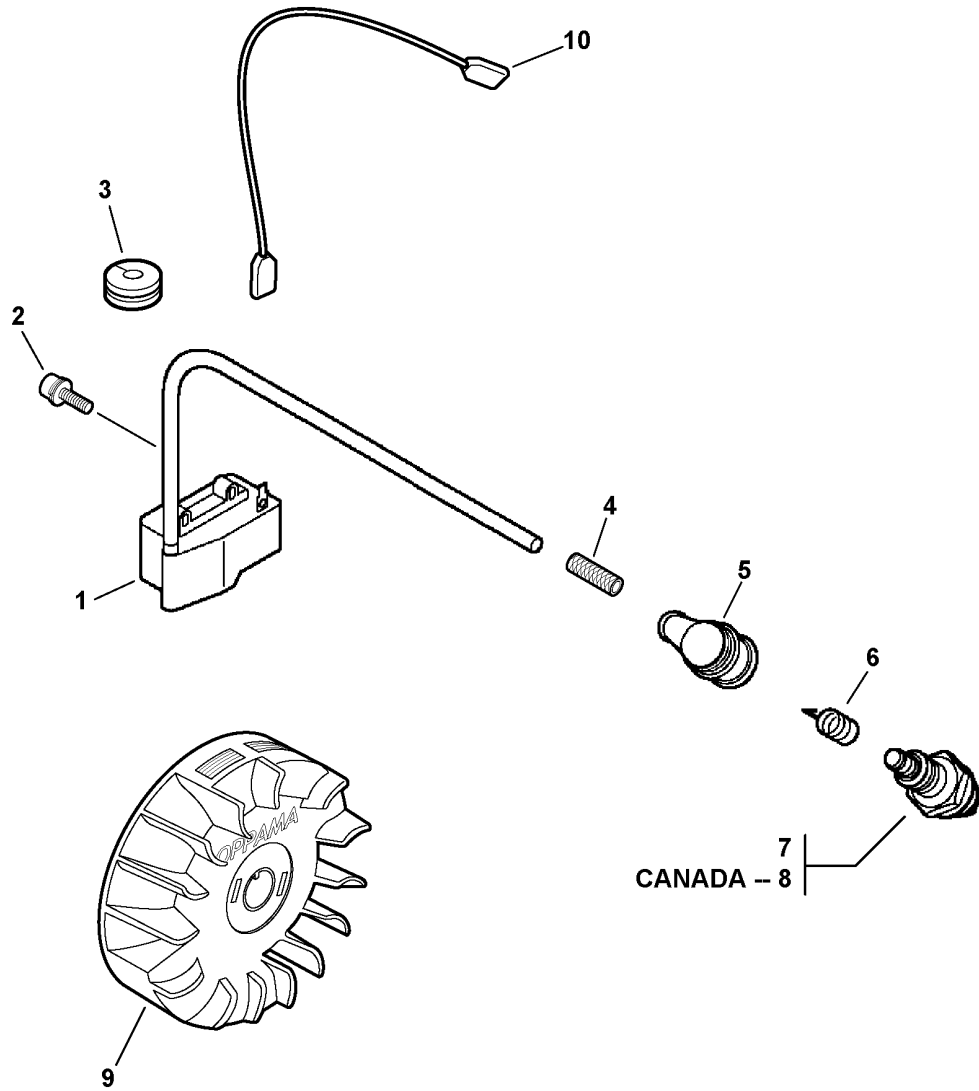


006 0010 000

ITEM	PART NUMBER	QTY	DESCRIPTION	REMARKS
1	V104000420	1	SHIELD, EXHAUST <sup>1</sup>	
2	14580642030	1	MUFFLER	
3	14586240630	1	SCREEN, MUFFLER	
4	90010505055	2	SCREW 5X55	
5	90060000005	2	WASHER	
6	14586642031	1	GASKET, EXHAUST	
7	A313000350	1	GUIDE, EXHAUST <sup>1</sup>	
8	90024204010	3	SCREW 4X10	

**Footnotes**

**1:** Also Included In GASKET KIT

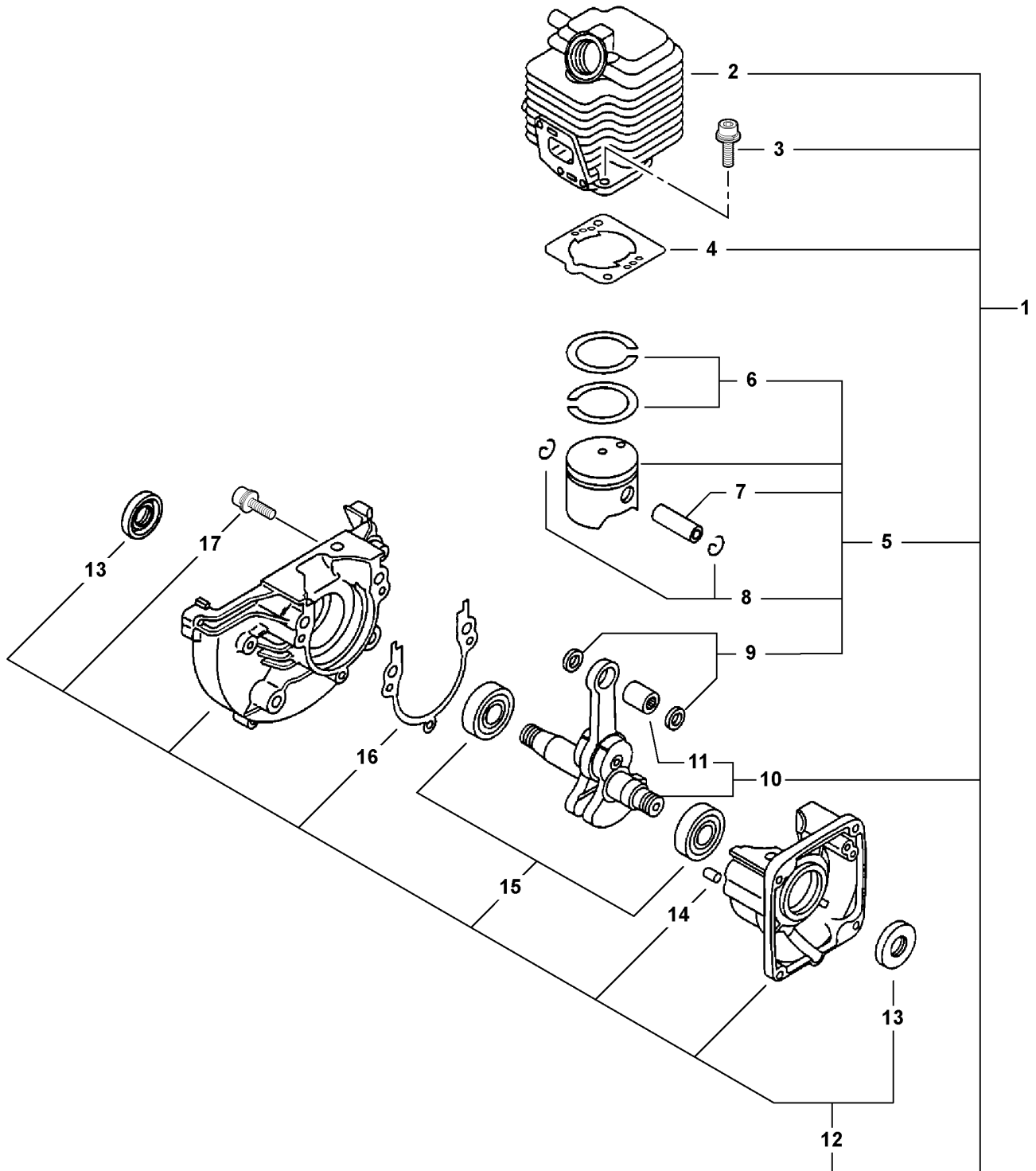


007 0038 000

ITEM	PART NUMBER	QTY	DESCRIPTION	REMARKS
1	A411000130	1	COIL, IGNITION	
2	90016204020	2	SCREW 4X20	
3	15011244330	1	GROMMET	
4	15611054930	1	TUBE, INSULATOR	
5	15901201620	1	CAP, SPARK PLUG	
6	15901103432	1	TERMINAL, SPARK PLUG CAP	
7	15901019830	1	SPARK PLUG -- BPM-8Y <sup>1</sup>	
8	A425000000	1	SPARK PLUG -- BPMR-8Y <sup>1</sup>	CANADA MODELS
9	A409000160	1	FLYWHEEL	
10	V485000290	1	LEAD, GROUND	

**Footnotes**

**1:** Also Included In REPOWER TUNE-UP KIT

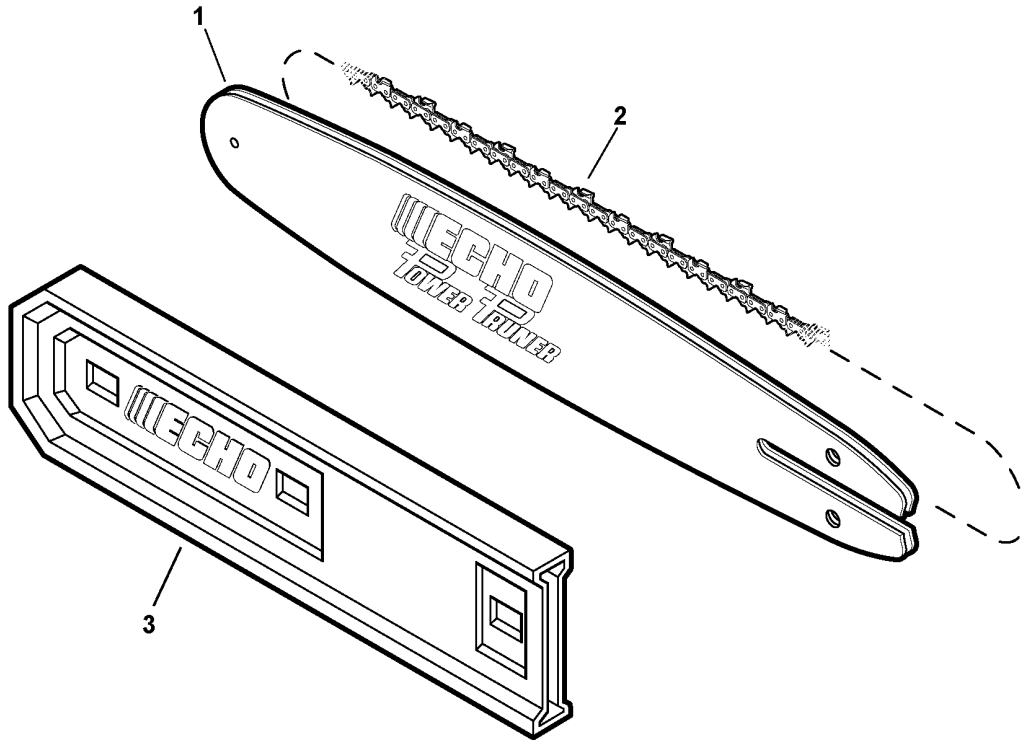


SB1065 0000 000

ITEM	PART NUMBER	QTY	DESCRIPTION	REMARKS
1	SB1065	1	SHORT BLOCK	INCLUDES ITEM 2-17
2	A130000430	1	CYLINDER	
3	90016205022	2	SCREW 5X22	
4	V100000080	1	GASKET, CYLINDER <sup>1</sup>	
5	P021001101	1	PISTON KIT	INCLUDES ITEMS 6-9
6	A101000000	2	RING, PISTON	
7	10001311520	1	PIN, PISTON	
8	10001504630	2	CIRCLIP, PISTON PIN	
9	10001411520	2	SPACER, PISTON PIN	
10	A011000101	1	CRANKSHAFT ASY	INCLUDES ITEM 11
11	V553000010	1	BEARING, NEEDLE	
12	10020452131	1	CRANKCASE KIT <sup>1</sup>	INCLUDES ITEMS 13-17
13	10021242031	2	OIL SEAL	
14	V622000020	2	DOWEL PIN	
15	9403536201	2	BEARING, BALL - 6201	
16	10024242030	1	GASKET, CRANKCASE	
17	90016205028	3	SCREW 5X28	

**Footnotes**

1: Also Included In GASKET KIT



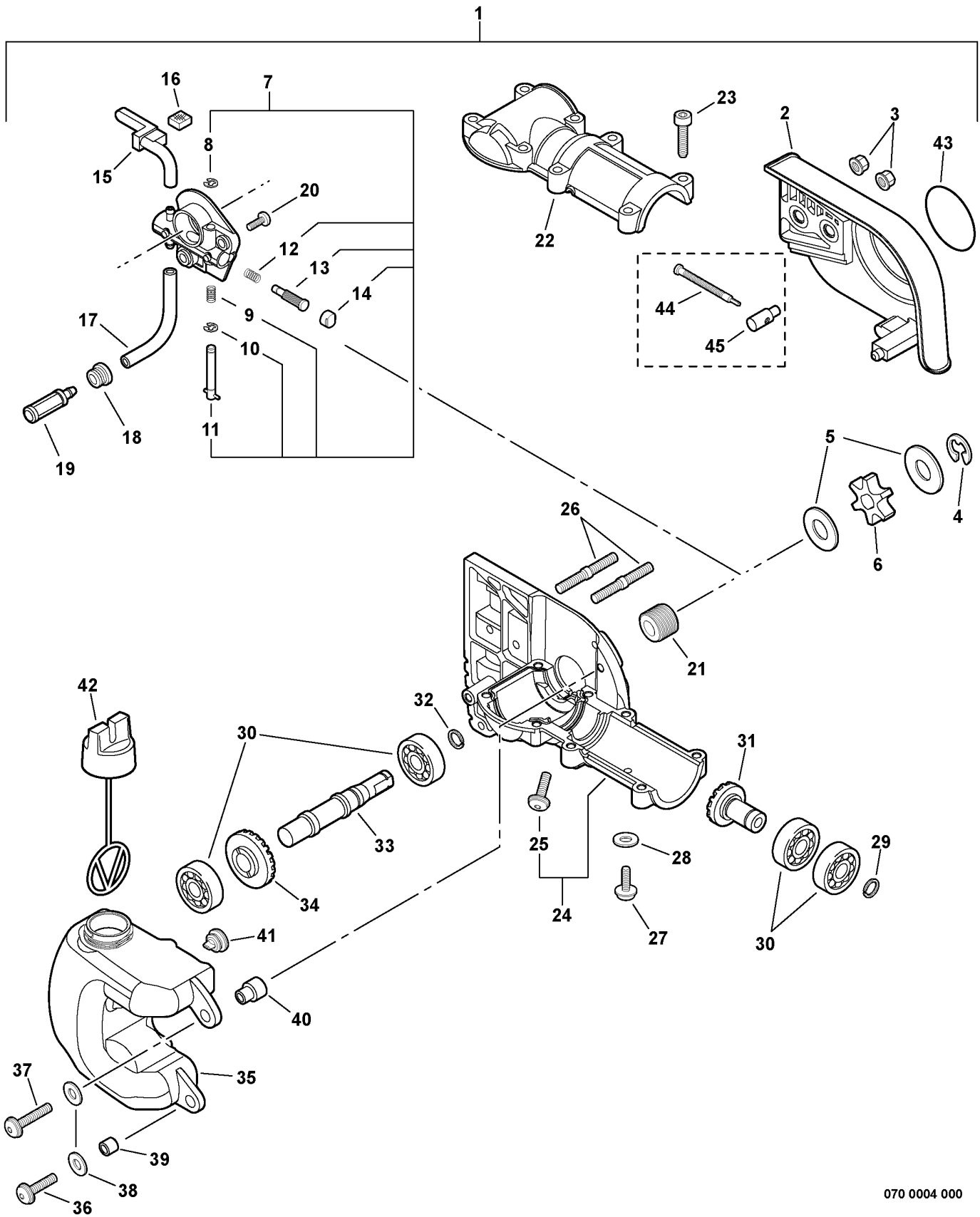
016 0012 000



ITEM	PART NUMBER	QTY	DESCRIPTION	REMARKS
1	1102373901	1	GUIDE BAR - 10" -- Intenz <sup>1</sup>	GAUGE: .050"
2	1917039	1	SAWING CHAIN (91VS) - 10" -- Low Profile <sup>1</sup>	GAUGE: .050"
3	X490000060	1	COVER, GUIDE BAR	

**Footnotes**

**1:** .043" & .050" Gauge Chains & Guide Bars are NOT Interchangeable

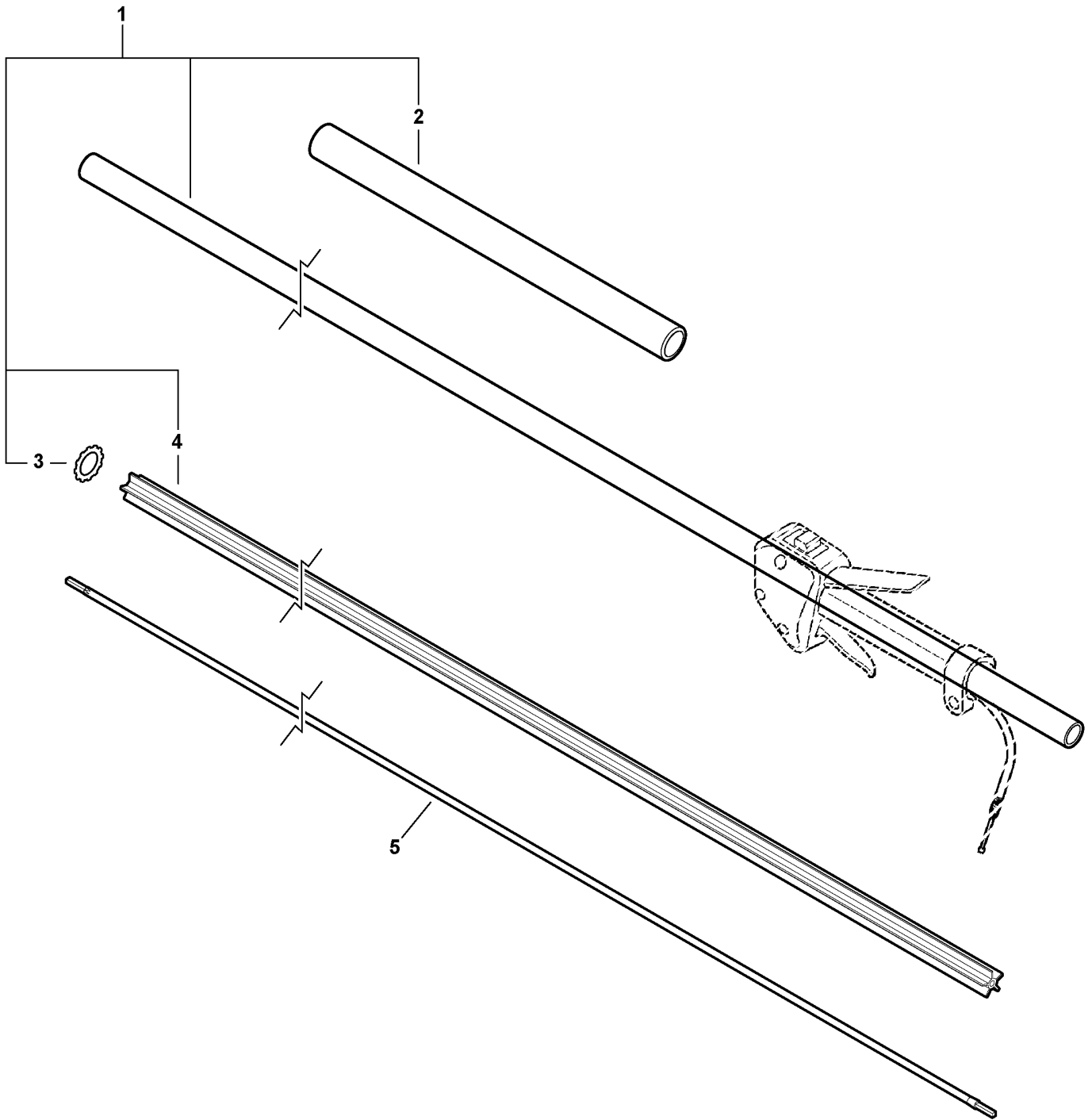


070 0004 000

ITEM	PART NUMBER	QTY	DESCRIPTION	REMARKS
1	90084	1	AUTO OILER/GEAR CASE ASY	INCLUDES ITEMS 2-43
2	C300000001	1	GUARD, SPROCKET	
3	43301903933	2	NUT 6	
4	V583000010	1	RING	
5	17501439131	2	WASHER	
6	C580000070	1	SPROCKET, DRIVE	
7	43700239130	1	AUTO-OILER ASY	INCLUDES ITEMS 8-14
8	12312715030	1	CLIP	
9	43701537330	1	SPRING, ADJUSTER	
10	43702937330	1	WASHER	
11	43701639130	1	ADJUSTER, OILER	
12	43701938330	1	SPRING, PLUNGER	
13	43702437330	1	PLUNGER ASY	
14	43706237330	1	CAP, OIL PUMP	
15	V470000180	1	PIPE, OIL OUTLET	
16	43724439130	1	PAD, FOAM	
17	13011014330	1	PIPE, OIL - 3X6X115mm	REPOWER BULK OPTION: 90015
18	13211501461	1	GROMMET	
19	43620502832	1	STRAINER, OIL	
20	90010905010	2	SCREW 5X10	
21	43706338330	1	GEAR, WORM	
22	C531000010	1	CASE, GEAR - UPPER	
23	90010905025	8	SCREW 5X25	
24	C051000110	1	CASE, GEAR - LOWER	INCLUDES ITEM 25
25	90010905010	1	SCREW 5X10	
26	V224000000	2	STUD BOLT 6	
27	90010905010	1	SCREW 5X10	
28	90060000005	1	WASHER	
29	90070600012	1	CIRCLIP 12	
30	9404206001	4	BEARING, BALL 6001	
31	V651000032	1	GEAR, BEVEL	Use BEVEL GEAR KIT P021009730
32	90070600012	1	CIRCLIP 12	
33	C534000180	1	SHAFT, GEAR	
34	V651000111	1	GEAR, BEVEL	Use BEVEL GEAR KIT P021009730
35	C200000000	1	TANK, OIL	
36	9110905016	2	SCREW 5X16	
37	90010905025	1	SCREW 5X25	
38	90060300005	3	WASHER	
39	13104528230	2	SPACER	
40	V354000010	1	COLLAR 6	
41	13131406320	1	VENT ASY	
42	P021000951	1	OIL CAP ASY	
43	X502000310	1	LABEL - ECHO	
44	43301639131	1	SCREW, ADJUSMENT <sup>1</sup>	Not Included In 90084 OILER/GEAR CASE ASY
45	43301403931	1	TENSIONER <sup>1</sup>	Not Included In 90084 OILER/GEAR CASE ASY

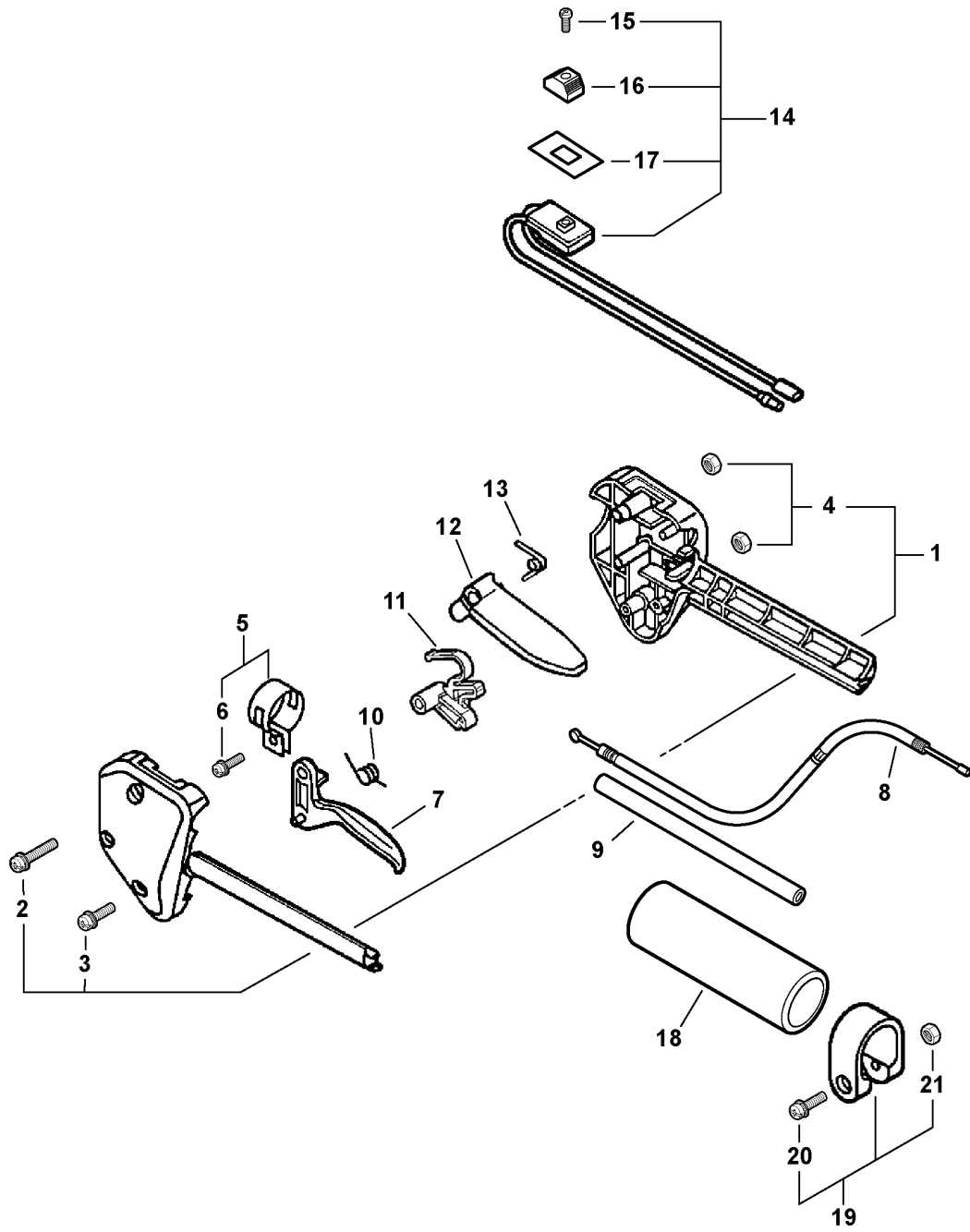
**Footnotes**

1: For Use With Standard Guide Bar (INTENZ Guide Bar Not Used)



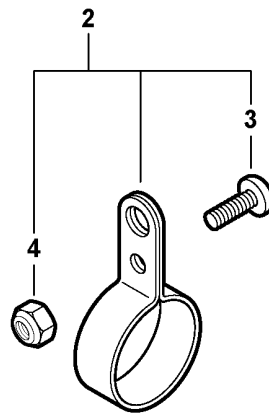
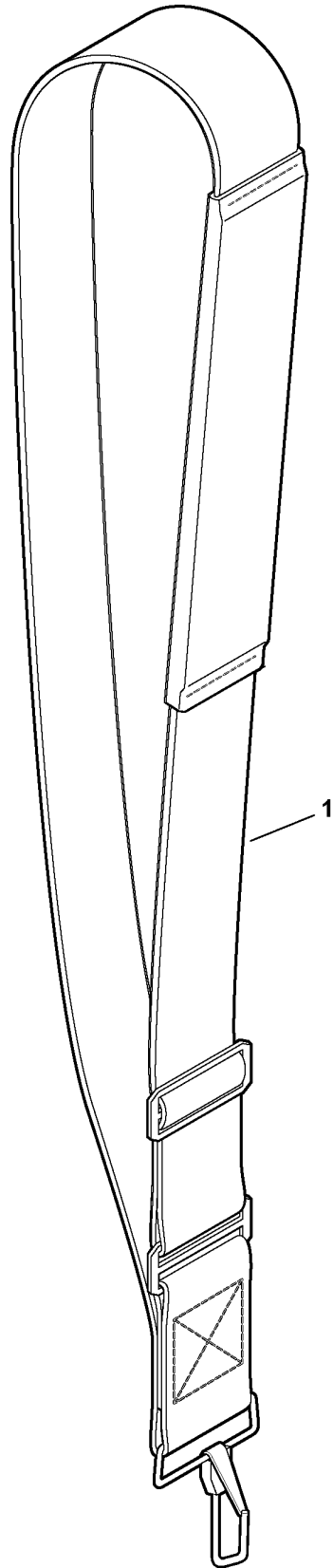
031 0018 000

ITEM	PART NUMBER	QTY	DESCRIPTION	REMARKS
1	61060924661	1	MAIN PIPE ASY	INCLUDES ITEMS 2-4
2	35131122060	1	GRIP, FRONT	
3	90003800100	1	RING, EXTERNAL TOOTH	
4	61021722060	1	LINER	
5	61001322060	1	DRIVESHAFT - FLEXIBLE	



030 0021 000

ITEM	PART NUMBER	QTY	DESCRIPTION	REMARKS
1	17800352130	1	CONTROL HANDLE KIT	INCLUDES ITEMS 2-4
2	90024205035	1	SCREW 5X35	
3	90024205025	1	SCREW 5X25	
4	90050000005	2	NUT 5	
5	30120029430	1	BAND ASY	INCLUDES ITEM 6
6	90024205014	1	SCREW 5X14	
7	17801052130	1	TRIGGER, THROTTLE	
8	V430000671	1	CABLE, THROTTLE	
9	17812750330	1	TUBE, VINYL	
10	17804342230	1	SPRING, THROTTLE RETURN	
11	17801252730	1	LOCKOUT, THROTTLE	
12	17809052632	1	LEVER, THROTTLE LOCKOUT	
13	17801352630	1	SPRING, THROTTLE LOCKOUT	
14	16340155631	1	SWITCH, IGNITION	INCLUDES ITEMS 15-17
15	9154503010	1	SCREW 3X10	
16	16341049231	1	KNOB, SWITCH	
17	89015712330	1	LABEL, SWITCH	
18	35121352130	1	GRIP, HANDLE	
19	61027252130	1	CLAMP KIT	INCLUDES ITEMS 20-21
20	90024205028	1	SCREW 5X28	
21	90050000005	1	NUT 5	



700 0003 000



ITEM	PART NUMBER	QTY	DESCRIPTION	REMARKS
1	30100022060	1	STRAP, SHOULDER	
2	30060522060	1	SHOULDER STRAP MOUNT KIT	INCLUDES ITEMS 3-4
3	90005300200	1	SCREW	
4	90003150100	1	LOCKNUT	



CANADA 2



CANADA 5



100 0040 000

**PPF-210 Power Pruner**

**Labels**

ITEM	PART NUMBER	QTY	DESCRIPTION	REMARKS
1	X532000671	1	LABEL - SPARK PLUG -- BPM-8Y	
2	X532000720	1	LABEL - SPARK PLUG -- BPMR-8Y	CANADA MODELS
3	89016022660	1	LABEL - CAUTION	
4	89012152730	1	LABEL - CHOKE	
5	89033252730	1	LABEL - CHOKE	CANADA MODELS
6	X502000310	2	LABEL - ECHO	
7	89016006361	1	LABEL - CAUTION -- HOT	
8	X503001020	1	LABEL - MODEL -- PPF-210	
9	X503001370	1	LABEL - MODEL -- PPF-211	

<b>Use Gasket Kit</b>	<b>Contains:</b>	<b>Service Number</b>	<b>Description</b>
P021004270		10024242030	GASKET, CRANKCASE
		13001013410	GASKET, INTAKE
		13001042032	GASKET, INTAKE
		14586642031	GASKET, EXHAUST
		V100000080	GASKET, CYLINDER
		V104000360	GASKET, EXHAUST
		V104000420	SHIELD, EXHAUST
		V104000440	GASKET, EXHAUST

300 0031 000

---

<u>ITEM</u>	<u>PART NUMBER</u>	<u>QTY</u>	<u>DESCRIPTION</u>	<u>REMARKS</u>
1	P021004270	1	GASKET KIT	

---

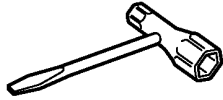
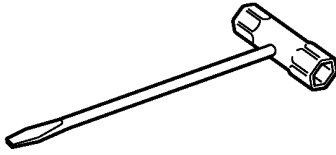
**SOCKET WRENCH W/SCREWDRIVER (Also Remove Spark Plugs)**

1 - 89541010630 -- 17X19mm

2 - X602000020 -- 17X19mm

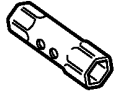
3 - 89541039131 -- 10X19mm

4 - 89541006960 -- 13X19mm



**SOCKET WRENCH**

5 - X602000031 -- 17X14.5mm



**LOCKING BAR**

6 - 89751801131 -- 5X120mm



**OPEN END WRENCH**

7 - 89511200330 -- 8X10mm

8 - 89512220960 -- 17X19mm



9 - 89501505260 -- 10mm



**HEX BAR**

10 - 89541220960 -- 10mm



**L-WRENCH**

11 - 89561203430 -- 3mm HEX KEY



12 - 89561000130 -- 4mm HEX KEY



13 - 89561100330 -- 5mm HEX KEY

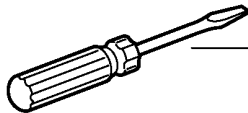


14 - X605000050 -- 3mm TORX

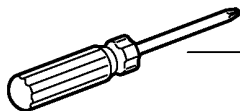


**SCREWDRIVER**

15 - 89581100130 -- 125mm SLOTTED



16 - 89581203930 -- 50mm PHILLIPS



200 0002 000

ITEM	PART NUMBER	QTY	DESCRIPTION	REMARKS
1	89541010630	1	SOCKET WRENCH/SCREWDRIVER -- 17X19mm	
2	X602000020	1	SOCKET WRENCH/SCREWDRIVER -- 17X19mm	
3	89541039131	1	SOCKET WRENCH/SCREWDRIVER -- 10X19mm	
4	89541006960	1	SOCKET WRENCH/SCREWDRIVER -- 13X19mm	
5	X602000031	1	SOCKET WRENCH -- 17X14.5mm	
6	89751801131	1	LOCKING BAR -- 5X120mm	
7	89511200330	1	OPEN END WRENCH-- 8X10mm	
8	89512220960	1	OPEN END WRENCH-- 17X19mm	
9	89501505260	1	OPEN END WRENCH-- 10mm	
10	89541220960	1	HEX BAR -- 10mm	
11	89561203430	1	HEX KEY -- 3mm	
12	89561000130	1	HEX KEY -- 4mm	
13	89561100330	1	HEX KEY -- 5mm	
14	X605000050	1	L-WRENCH -- 3mm TORX	
15	89581100130	1	SCREWDRIVER -- SLOTTED	
16	89581203930	1	SCREWDRIVER -- PHILLIPS	



# Part Number Index

Click The Page Number After Any Part Number To View The Diagram Containing That Part.

Part Number	Page	Part Number	Page	Part Number	Page
-----	13, 15, 17	35131122060	29	A130000430	23
10001311520	23	43301403931	27	A160000192	5
10001411520	23	43301639131	27	A313000350	19
10001504630	23	43301903933	27	A350000220	7
10020452131	23	43620502832	27	A356000030	7
10021242031	23	43700239130	27	A409000160	21
10024242030	23	43701537330	27	A411000130	21
10151144630	11	43701639130	27	A425000000	21
1102373901	25	43701938330	27	C051000110	27
12312715030	27	43702437330	27	C200000000	27
12531061830	15, 17	43702937330	27	C300000001	27
12533942030	15, 17	43706237330	27	C531000010	27
12534252130	15, 17	43706338330	27	C534000180	27
12534413931	15, 17	43724439130	27	C580000070	27
12534452130	15, 17	61001322060	29	P005000100	15, 17
12538108660	15, 17	61021722060	29	P005000120	15, 17
12901152730	13	61027252130	31	P005000180	15
13001013410	13	61060924661	29	P005000190	15, 17
13001042032	13	89012152730	13, 35	P005000250	15, 17
13001744330	13	89015712330	31	P005000270	15, 17
13011014330	27	89016006361	35	P005000280	15, 17
13031054130	13	89016022660	35	P005000370	15
13031305863	13	89033252730	35	P005000550	15, 17
13031306563	13	89501505260	39	P005000570	15
13100455530	7	89511200330	39	P005000690	15
13101655830	7	89512220960	39	P005000700	15, 17
13104528230	27	89541006960	39	P005000930	15, 17
13105156030	7	89541010630	39	P005000950	15, 17
13120507320	7	89541039131	39	P005001000	15, 17
13131406320	27	89541220960	39	P005001230	17
13201256030	7	89561000130	39	P005001240	17
13201309820	7	89561100330	39	P005001260	17
13211501461	27	89561203430	39	P005001270	17
14580642030	19	89581100130	39	P021000951	27
14586240630	19	89581203930	39	P021000991	13
14586642031	19	89751801131	39	P021001101	23
15011244330	21	90003150100	33	P021004270	37
15611054930	21	90003800100	29	P021004480	13
15901019830	21	90005300200	33	SB1065	23
15901103432	21	90010505055	19	V100000080	23
15901201620	21	90010905010	27	V104000420	19
15991244530	5	90010905025	27	V137000030	7
16340155631	31	90016204020	7, 21	V150001640	7
16341049231	31	90016205022	23	V224000000	27
17500056830	11	90016205025	11	V354000010	27
17500542030	11	90016205028	23	V430000671	31
17501439131	27	90016304016	5, 7, 9	V470000180	27
17505304920	11	90022005065	13	V471001190	7
17720042033	9	90023804012	5	V471001200	7
17720244331	9	90023805020	7, 13	V485000290	21
17721544330	9	90024204010	19	V553000010	23
17721844330	9	90024205014	31	V583000010	27
17722042030	9	90024205025	31	V622000020	23
17722610120	9	90024205028	31	V651000032	27
17722742030	9	90024205035	31	V651000111	27
17722806530	9	90025305016	5	X490000060	25
17723242030	9	90050000005	13, 31	X502000310	27, 35
17723442030	9	90060000005	11, 19, 27	X503001020	35
17723644330	9	90060300005	7, 27	X503001370	35
17800352130	31	90060500005	11	X532000671	35
17801052130	31	90070100012	11	X532000720	35
17801252730	31	90070200032	11	X602000020	39
17801352630	31	90070600012	27	X602000031	39
17804342230	31	90081406201	11	X605000050	39
17809052632	31	90084	27		
17812750330	31	9110905016	27		
1917039	25	9154503010	31		
21041752730	13	9403536201	23		
30060522060	33	9404206001	27		
30100022060	33	A011000101	23		
30120029430	31	A021000382	15		
30511042030	7	A021000720	17		
35121352130	31	A101000000	23		





# Part Description Index

Click The Page Number After Any Part Description To View The Diagram Containing That Part.

## A

ADJUSTER, OILER.....27  
 AUTO OILER/GEAR CASE ASY.....27  
 AUTO-OILER ASY.....27

## B

BAND ASY.....31  
 BEARING, BALL - 6201.....23  
 BEARING, BALL 6001.....27  
 BEARING, BALL 6201.....11  
 BEARING, NEEDLE.....23  
 BODY, CARBURETOR.....15, 17  
 BULB, PURGE.....15, 17

## C

CABLE, THROTTLE.....31  
 CAP ASY.....7  
 CAP, OIL PUMP.....27  
 CAP, SPARK PLUG.....21  
 CARBURETOR.....13  
 CARBURETOR -- RB-K66B.....15  
 CARBURETOR -- RB-K70.....17  
 CASE, AIR CLEANER - BLACK.....13  
 CASE, AIR CLEANER - GRAY.....13  
 CASE, GEAR - LOWER.....27  
 CASE, GEAR - UPPER.....27  
 CASE, STARTER.....9  
 CIRCLIP 32.....11  
 CIRCLIP 12.....11, 27  
 CIRCLIP, PISTON PIN.....23  
 CLAMP KIT.....31  
 CLIP.....7, 27  
 CLUTCH ASY.....11  
 COIL, IGNITION.....21  
 COLLAR 6.....27  
 CONNECTOR, FUEL CAP.....7  
 CONTROL HANDLE KIT.....31  
 COVER, CYLINDER.....5  
 COVER, DIAPHRAGM.....15, 17  
 COVER, FAN.....11  
 COVER, GUIDE BAR.....25  
 CRANKCASE KIT.....23  
 CRANKSHAFT ASY.....23  
 CYLINDER.....23

## D

DIAPHRAGM, METERING.....15, 17  
 DIAPHRAGM, PUMP.....15, 17  
 DIAPHRAGM/GASKET KIT.....15, 17  
 DOWEL PIN.....23  
 DRIVESHAFT - FLEXIBLE.....29  
 DRUM, CLUTCH.....11  
 DRUM, STARTER.....9

## E

E-RING.....15, 17  
 EYE PLATE.....7

## F

FILTER, AIR.....13  
 FILTER, FUEL.....7  
 FLYWHEEL.....21

## G

GASKET KIT.....37  
 GASKET, CRANKCASE.....23  
 GASKET, CYLINDER.....23  
 GASKET, EXHAUST.....19  
 GASKET, FUEL TANK CAP.....7  
 GASKET, INTAKE.....13  
 GASKET, METERING.....15, 17  
 GASKET, PUMP.....15, 17  
 GEAR, BEVEL.....27  
 GEAR, WORM.....27  
 GRIP, FRONT.....29  
 GRIP, HANDLE.....31  
 GRIP, STARTER.....9  
 GROMMET.....7, 21, 27  
 GUARD, SPROCKET.....27  
 GUARD, TOP.....5  
 GUIDE BAR - 10" -- Intenz.....25  
 GUIDE, EXHAUST.....19  
 GUIDE, ROPE.....9

## H

HEX BAR -- 10mm.....39  
 HEX KEY -- 3mm.....39  
 HEX KEY -- 4mm.....39  
 HEX KEY -- 5mm.....39

## I

INSULATOR, INTAKE.....13

## J

JET.....15

## K

KNOB, SWITCH.....31

## L

LABEL - CAUTION.....35  
 LABEL - CAUTION -- HOT.....35  
 LABEL - CHOKE.....13, 35  
 LABEL - ECHO.....27, 35  
 LABEL - MODEL -- PPF-210.....35  
 LABEL - MODEL -- PPF-211.....35  
 LABEL - SPARK PLUG -- BPM-8Y.....35  
 LABEL - SPARK PLUG -- BPMR-8Y.....35  
 LABEL, SWITCH.....31  
 LEAD, GROUND.....21  
 LEVER, METERING.....15, 17  
 LEVER, THROTTLE LOCKOUT.....31  
 LID, AIR CLEANER - BLACK.....13  
 LID, AIR CLEANER - GRAY.....13  
 LINER.....29  
 LOCKING BAR -- 5X120mm.....39  
 LOCKNUT.....33  
 LOCKOUT, THROTTLE.....31  
 L-WRENCH -- 3mm TORX.....39

## M

MAIN PIPE ASY.....29  
 MUFFLER.....19

## N

NEEDLE - HIGH SPEED.....17  
 NUT 5.....13, 31  
 NUT 6.....27  
 NUT, CABLE.....15, 17

## O

OIL CAP ASY.....27  
 OIL SEAL.....23  
 OPEN END WRENCH-- 10mm.....39  
 OPEN END WRENCH-- 17X19mm.....39  
 OPEN END WRENCH-- 8X10mm.....39  
 O-RING.....15, 17

## P

PAD, FOAM.....27  
 PAWL, STARTER.....9  
 PIN, METERING LEVER.....15, 17  
 PIN, PISTON.....23  
 PIPE, FUEL - 3X5X180mm.....7  
 PIPE, OIL - 3X6X115mm.....27  
 PIPE, OIL OUTLET.....27  
 PIPE, RETURN - 3X6X80mm.....7  
 PIPE, VENT - 3X5X70mm.....7  
 PISTON KIT.....23  
 PLATE, PREVENT.....13  
 PLUG.....17  
 PLUG KIT.....15  
 PLUNGER ASY.....27  
 PURGE BASE ASY.....15, 17

## R

REPAIR KIT.....15, 17  
 RETAINER, PURGE BULB.....15, 17  
 RING.....27  
 RING, EXTERNAL TOOTH.....29  
 RING, PISTON.....23  
 ROLLER, GUIDE.....15, 17  
 ROPE, STARTER - 3X1000mm.....9  
 ROTOR COVER ASY.....15, 17

## S

SAWING CHAIN (91VS) - 10" -- Low Profile.....25  
 SCREEN, MUFFLER.....19  
 SCREW.....9, 33  
 SCREW 3X10.....31  
 SCREW 4X10.....19  
 SCREW 4X12.....5  
 SCREW 4X16.....5, 7, 9  
 SCREW 4X20.....7, 21  
 SCREW 5X10.....27  
 SCREW 5X14.....31  
 SCREW 5X16.....5, 27  
 SCREW 5X20.....7, 13  
 SCREW 5X22.....23  
 SCREW 5X25.....11, 27, 31  
 SCREW 5X28.....23, 31  
 SCREW 5X35.....31  
 SCREW 5X55.....19  
 SCREW 5X65.....13  
 SCREW, ADJUSTMENT.....27  
 SCREW, CABLE ADJUST.....15, 17  
 SCREW, DIAPHRAGM COVER.....15, 17



# Part Description Index (continued)

SCREW, METERING LEVER PIN.....15, 17  
 SCREW, PURGE BASE ASY.....15, 17  
 SCREW, PURGE BULB RETAINER.....15, 17  
 SCREW, ROTOR COVER ASY.....15, 17  
 SCREW, THROTTLE ADJUST.....15, 17  
 SCREWDRIVER -- PHILLIPS.....39  
 SCREWDRIVER -- SLOTTED.....39  
 SHAFT, GEAR.....27  
 SHIELD, CYLINDER.....13  
 SHIELD, EXHAUST.....19  
 SHORT BLOCK.....23  
 SHOULDER STRAP MOUNT KIT.....33  
 SOCKET WRENCH -- 17X14.5mm.....39  
 SOCKET WRENCH/SCREWDRIVER --  
 10X19mm.....39  
 SOCKET WRENCH/SCREWDRIVER --  
 13X19mm.....39  
 SOCKET WRENCH/SCREWDRIVER --  
 17X19mm.....39  
 SPACER.....27  
 SPACER, PISTON PIN.....23  
 SPARK PLUG -- BPM-8Y.....21  
 SPARK PLUG -- BPMR-8Y.....21  
 SPRING WASHER 5.....11  
 SPRING, ADJUSTER.....27  
 SPRING, METERING LEVER.....15, 17  
 SPRING, PLUNGER.....27  
 SPRING, RETURN.....9  
 SPRING, REWIND.....9  
 SPRING, THROTTLE LOCKOUT.....31  
 SPRING, THROTTLE RETURN.....31  
 SPROCKET, DRIVE.....27  
 STAND.....7  
 STARTER ASY.....9  
 STARTER PAWL ASY.....9  
 STOPPER.....11  
 STRAINER.....15, 17  
 STRAINER, OIL.....27  
 STRAP, SHOULDER.....33  
 STUD BOLT 6.....27  
 SWITCH, IGNITION.....31  
 SWIVEL.....15, 17

## T

TANK, FUEL.....7  
 TANK, OIL.....27  
 TENSIONER.....27  
 TERMINAL, SPARK PLUG CAP.....21  
 TRIGGER, THROTTLE.....31  
 TUBE, INSULATOR.....21  
 TUBE, VINYL.....31

## V

VALVE, INLET NEEDLE.....15, 17  
 VENT ASY.....7, 27

## W

WASHER.....19, 27  
 WASHER 5.....7, 11  
 WING BOLT.....13

## **NOTES**



**ECHO, INCORPORATED**  
400 Oakwood Road  
Lake Zurich, IL 60047 USA

[WWW.ECHO-USA.COM](http://WWW.ECHO-USA.COM)

---