



---

**Fits Models**

CSG-670 Cut-Off Saw

CSG-6700 Cut-Off Saw

CSG-680 Cut-Off Saw

---

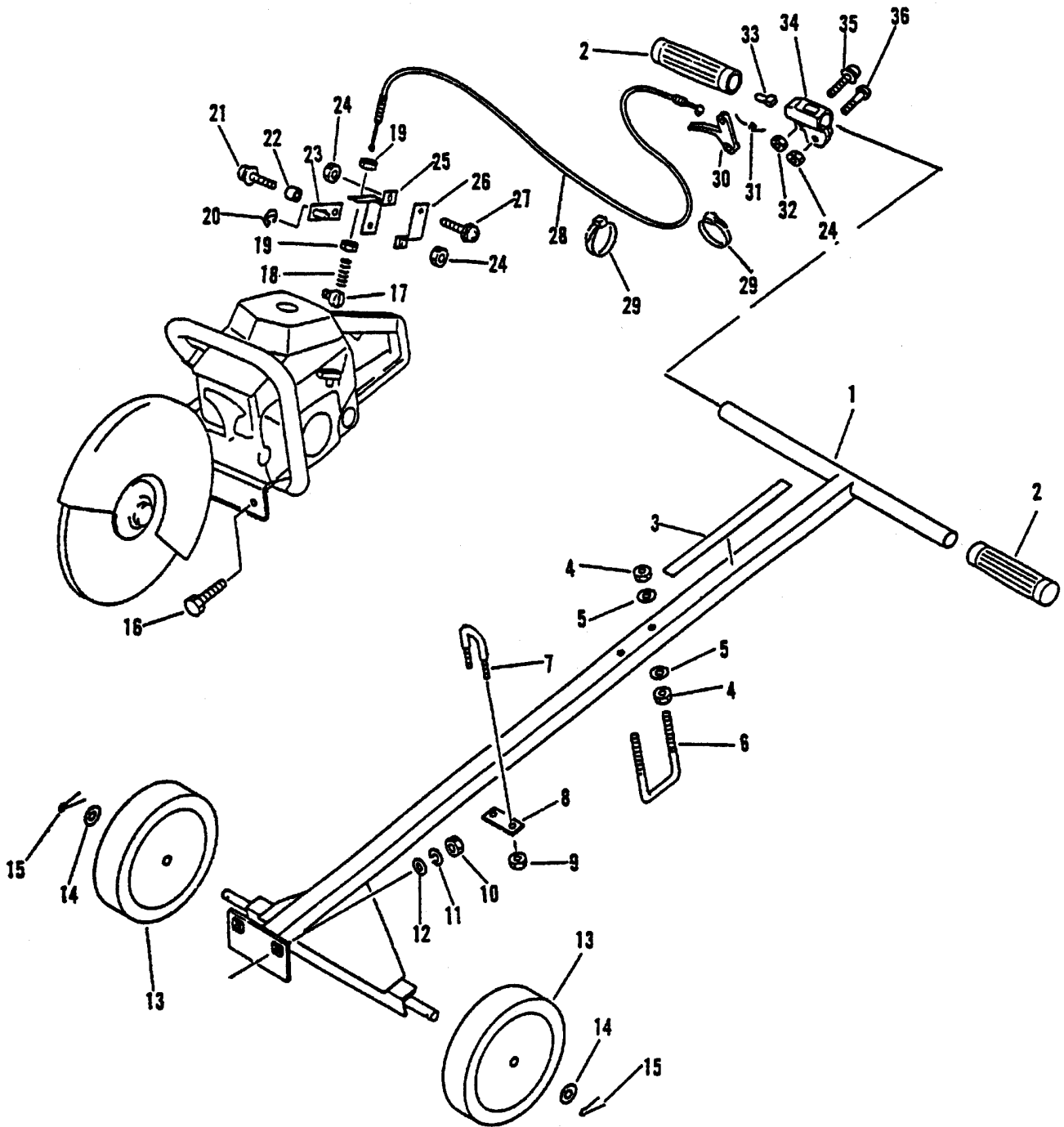
**PARTS CATALOG**  
**99944700170 Two**  
**Wheel Cart**

**Accessory**

***ECHO, INCORPORATED***

400 Oakwood Road Lake Zurich, Illinois 60047 USA

WWW.ECHO-USA.COM



800 0006 000

ITEM	PART NUMBER	QTY	DESCRIPTION	REMARKS
1	30201007060	1	CART	
2	35101244730	2	GRIP, HANDLE	
3	89016807060	1	LABEL, CAUTION	
4	-----	4	3/8" -16 NUT	OBTAIN LOCALLY
5	-----	4	3/8" FLAT WASHER	OBTAIN LOCALLY
6	30511007060	1	SQUARE BEND U-BOLT, LEG WIDTH 2", LENGTH 5"	
7	-----	1	U-BOLT, 1" PIPE, 1/4- 20 THREAD	OBTAIN LOCALLY
8	-----	1	PLATE	OBTAIN LOCALLY
9	90003000008	2	NUT (1/4 X 20 UNF)	
10	90003000010	2	NUT ( 5/16 X 18)	
11	-----	2	5/16" LOCK WASHER	OBTAIN LOCALLY
12	-----	2	5/16" FLAT WASHER	OBTAIN LOCALLY
13	30241007060	2	WHEEL	
14	-----	2	1/2" FLAT WASHER	OBTAIN LOCALLY
15	90030020022	2	SPLIT PIN	
16	-----	2	CAP SCREW (5/16" X 18 X 1")	OBTAIN LOCALLY
17	12537242030	1	CONNECTOR, THROTTLE CABLE	
18	17804307060	1	SPRING	
19	90050200006	2	NUT	
20	90070000004	1	RING, RETAINING	
21	90023805022	1	SCREW	
22	13104528230	1	SPACER	
23	17801007060	1	THROTTLE, LEVER	
24	90056000005	3	NUT	
25	17811807060	1	BRACKET	
26	17811407060	1	TRIGGER, MOUNTING BRACKET	
27	90023805016	1	SCREW	
28	17800107060	1	CABLE, THROTTLE	
29	17812145930	2	TY-RAP	
30	17801048731	1	TRIGGER, THROTTLE	
31	17804306930	1	NUT	
32	90050000005	1	SPRING TENSION	
33	17804805630	1	GUIDE, CABLE	
34	17802448930	1	HOLDER, TRIGGER	
35	90024205035	1	SCREW	
36	17811005330	1	SCREW	



**ECHO, INCORPORATED**

400 Oakwood Road  
Lake Zurich, IL 60047 USA

[WWW.ECHO-USA.COM](http://WWW.ECHO-USA.COM)

---