



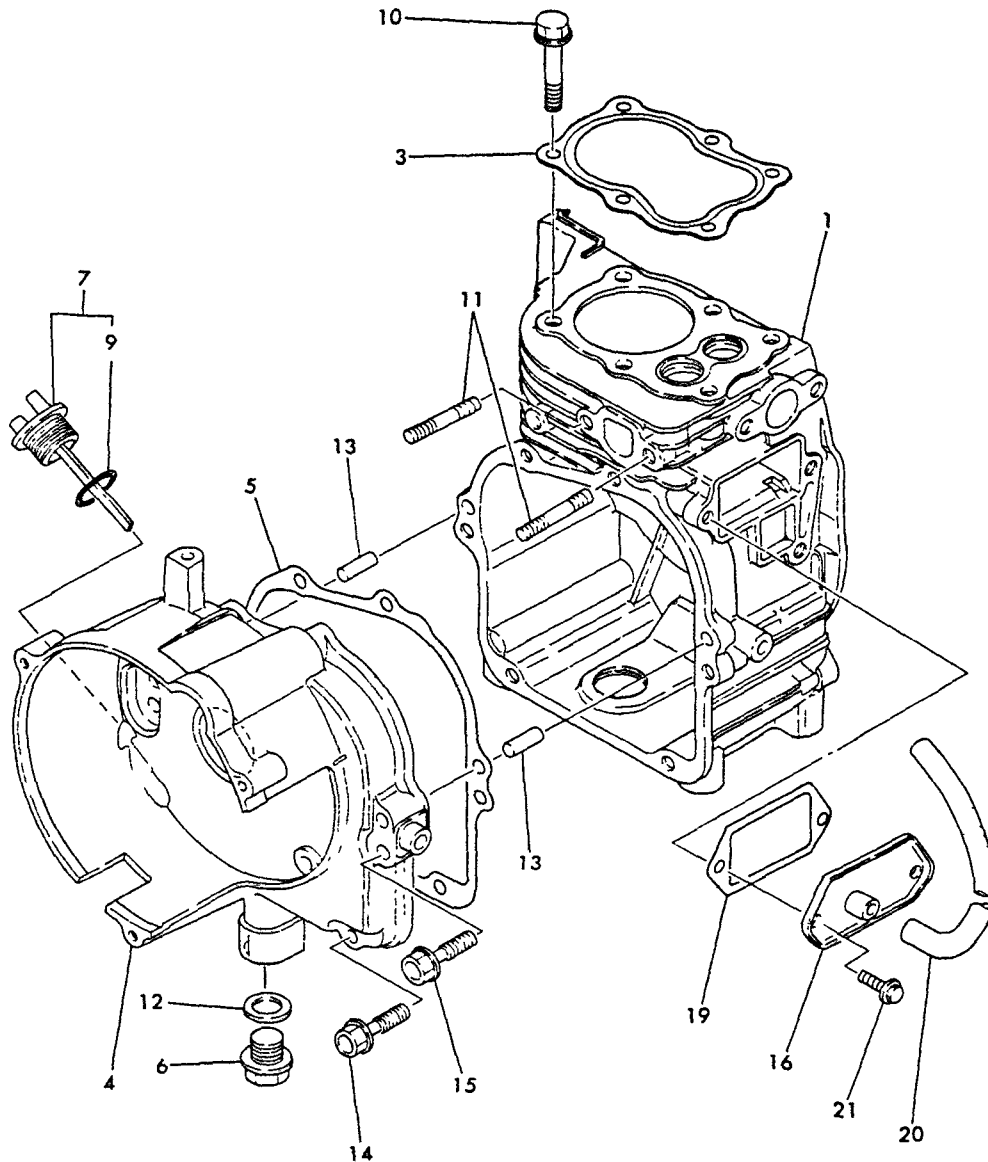
PARTS CATALOGUE

EG-550



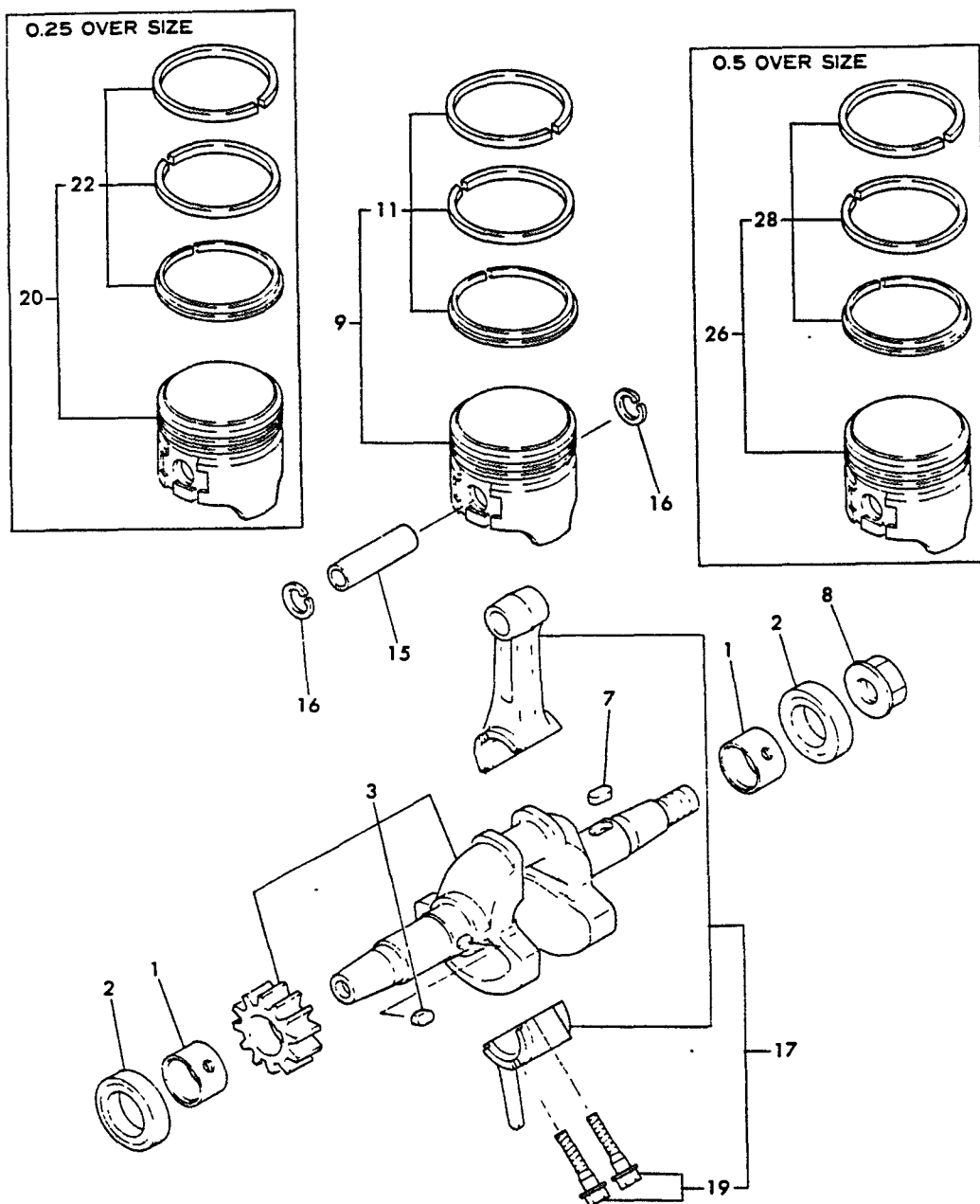
898 595-8016 0

1 CYLINDER BODY & BREATHER



REF. NO.	LEV. 0	PART NO.	DESCRIPTION	-----Q'TY-----					
				(A)	(B)	(C)	(D)	(E)	(F)
1	.	Y 160567-01010	BLOCK ASSY, CYLINDER	1					
3	.	Y 160560-01331	GASKET, CYL. HEAD	1					
4	.	Y 160567-01400	COVER, CRANK CASE	1					
5	.	Y 160560-01410	GASKET, CRANK CASE	1					
6	.	Y 160610-01690	PLUG, DRAIN	1					
7	.	Y 160560-01740	CAP, FILLER	1					
9	..	Y 24311-000150	O-RING 1A P-15.0	1					
10	.	Y 160610-04360	BOLT M6X 35	6					
11	.	Y 160610-04620	BOLT M 6X 16	2					
12	.	Y 104200-59170	GASKET 12	1					
13	.	Y 22312-060160	PARALLEL PIN 6X16	2					
14	.	Y 26476-060252	BOLT M 6X 25	5					
15	.	Y 26476-060302	BOLT M 6X 30	1					
16	.	Y 160567-03010	BREATHER	1					
19	.	Y 160560-03070	GASKET, TAPPET	1					
20	.	Y 160567-03180	PIPE, BREATHER	1					
21	.	Y 26476-060142	BOLT M 6X 14	2					

2 BEARING, CRANKSHAFT, PISTON & ROD

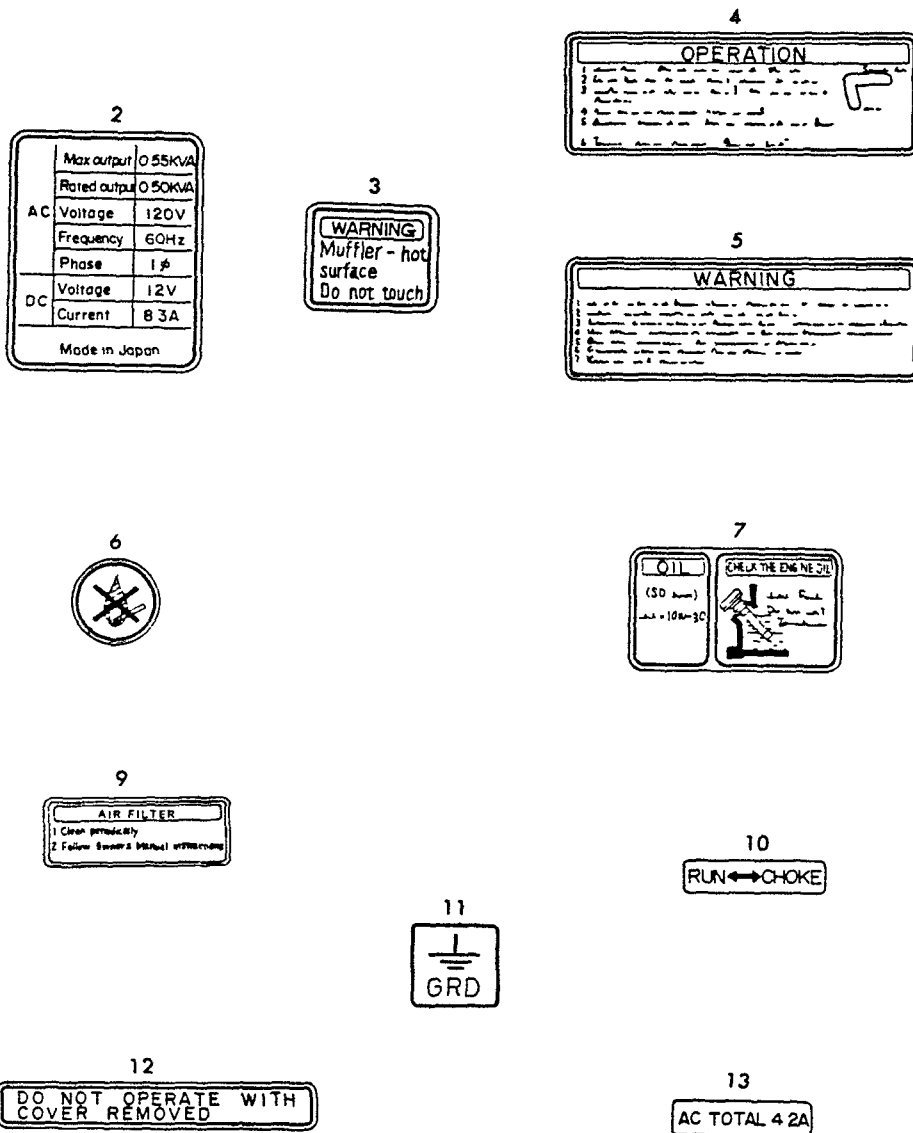


REF. NO.	LEV.	O	PART NO.	DESCRIPTION	-----Q'TY-----					
					(A)	(B)	(C)	(D)	(E)	(F)
1	.		Y 160560-02100	MAIN BEARING	2					
2	.		Y 160510-02220	SEAL, OIL	2					
3	.		Y 760567-21700	CRANKSHAFT ASSY	1					
7	.		Y 160610-21290	KEY 4X10	1					
8	.		Y 26376-100002	U-NUT M10	1					
9	.		Y 160560-22010	PISTON ASSY.	1					
11	..		Y 760560-22500	RING SET, PISTON	1					
15	.		Y 160560-22300	PIN, PISTON	1					
16	.		Y 22252-000100	CIRCLIP 10	2					
17	.		Y 760560-23700	ROD ASSY, CONNECTING	1					
19	..		Y 160664-23200	BOLT, ROD	2					
20	.		Y 160560-22470	PISTON ASSY O.S.=0.2	2					
22	..		Y 760560-22540	RING SET O.S.=0.25	1					
26	.		Y 160560-22480	PISTON ASSY O.S.=0.5	1					
28	..		Y 760560-22550	RING SET O.S.=0.5	1					

3 LABELS

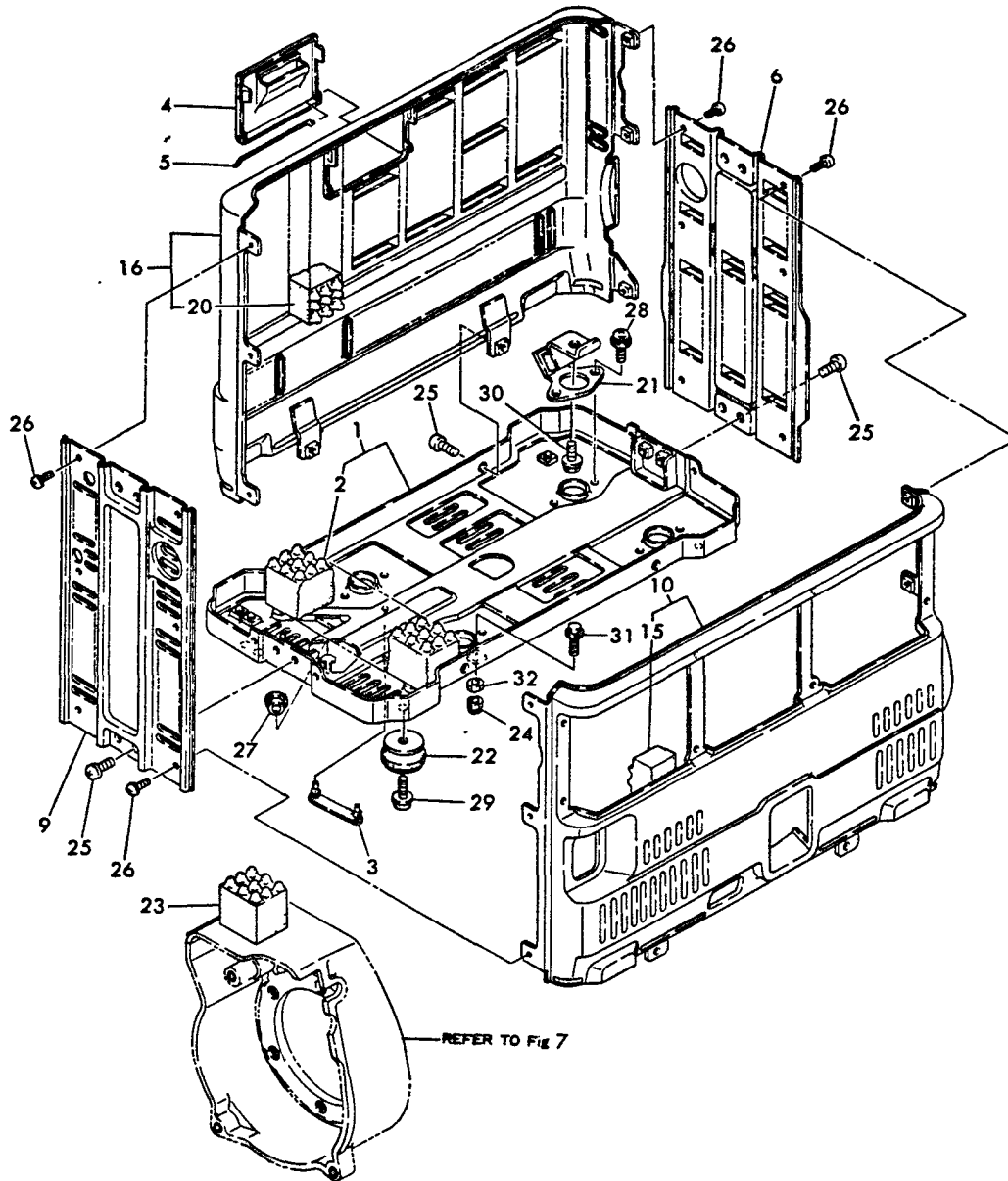
1

ECHO GENERATOR EG-550



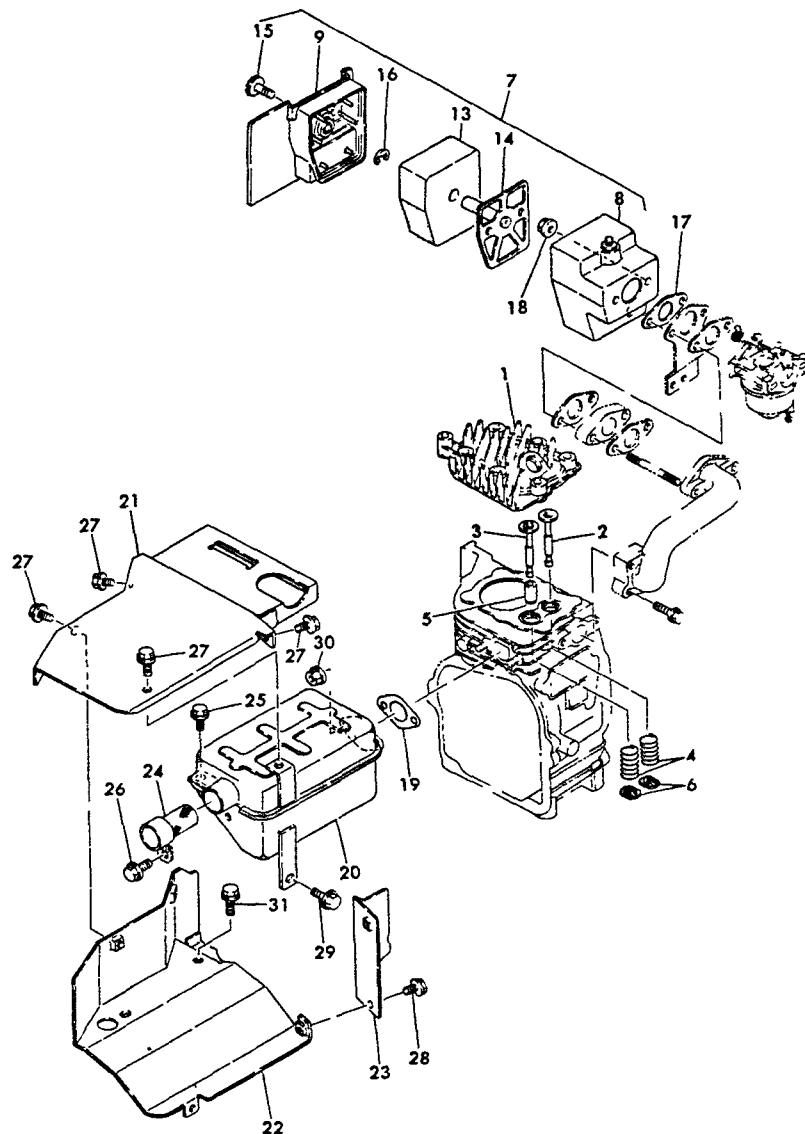
REF. NO.	LEV. 0	PART NO.	DESCRIPTION	-----Q'TY-----					
				(A)	(B)	(C)	(D)	(E)	(F)
1	.	Y 183110-07120	LABEL (EG550)	1					
2	.	Y 183110-07150	LABEL, GENERATOR.	1					
3	.	Y 183210-07210	LABEL, MUFFLER CAUT.	1					
4	.	Y 183210-07250	OPERATION MARK	1					
5	.	Y 183210-07260	WARNING MARK	1					
6	.	Y 183210-07270	NON FIRE MARK	1					
7	.	Y 183210-07290	LABEL, OIL	1					
9	.	Y 183210-07370	LABEL, AIR CLEANER	1					
10	.	Y 183210-07380	LABEL, CHOKE	1					
11	.	Y 183210-07390	LABEL	1					
12	.	Y 183210-07700	LABEL, CAUTION	2					
13	.	Y 183110-07800	LABEL, AMPERE	1					

4 CASE



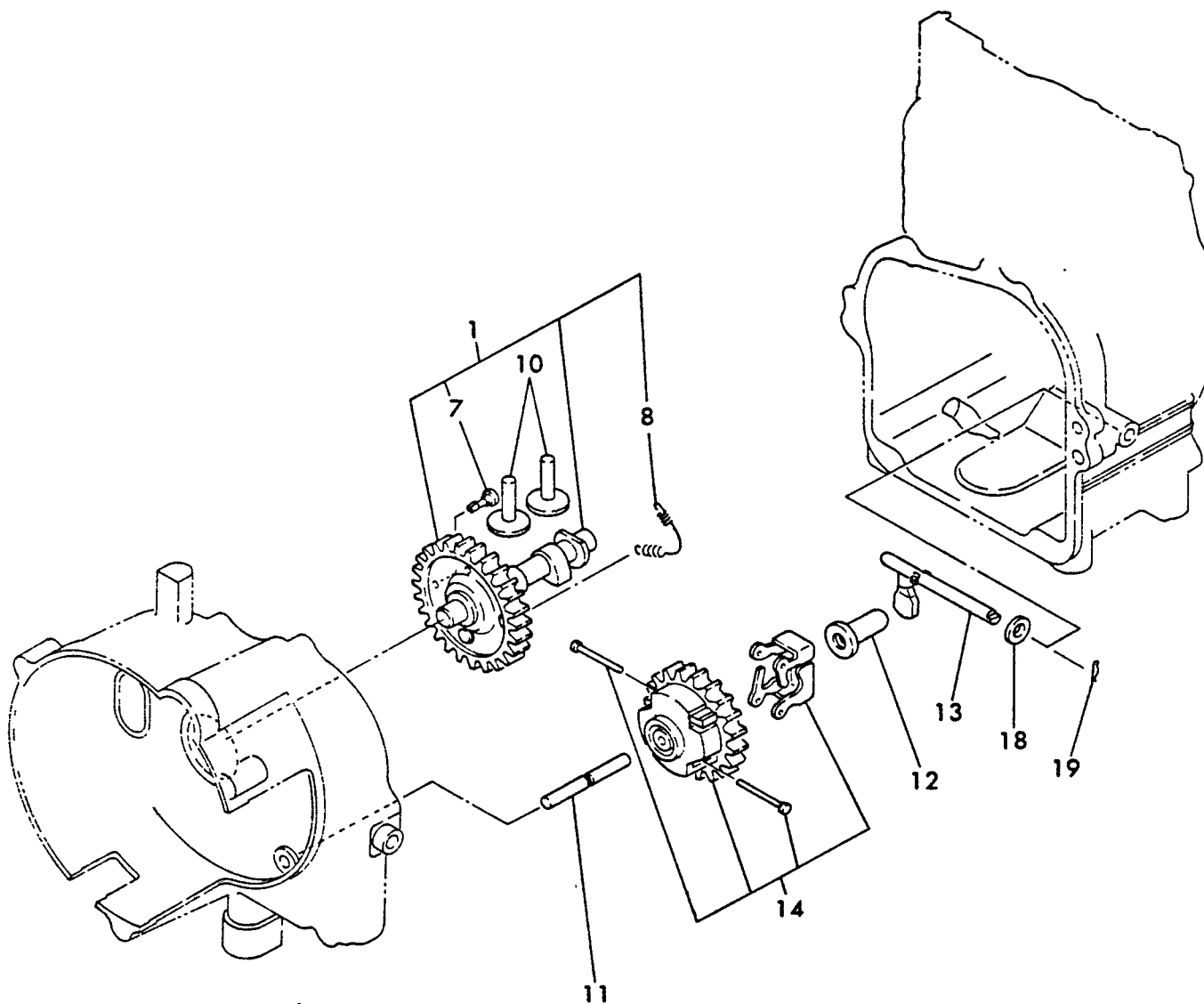
REF. NO.	LEV. 0	PART NO.	DESCRIPTION	-----Q'TY-----					
				(A)	(B)	(C)	(D)	(E)	(F)
1	.	Y 183210-08040	CASE, BOTTOM	1					
2	..	Y 183210-08290	URETHANE FOAM (E)	1					
3	.	Y 183210-08050	HOLDER, TOOL	1					
4	.	Y 183210-08060	BLIND, PLUG	1					
5	.	Y 183210-08070	SPRING, HINGE	1					
6	.	Y 783110-08820	SIDE CASE ASSY, RIGHT	1					
9	.	Y 183110-08090	SIDE CASE, LEFT	1					
10	.	Y 783110-08880	CASE ASSY, FRONT	1					
15	..	Y 183110-08270	URETHANE FOAM (C)	1					
16	.	Y 783110-08940	CASE ASSY, REAR	1					
20	..	Y 183110-08280	URETHANE FOAM (D)	1					
21	.	Y 183210-08220	DAMPER (A)	4					
22	.	Y 183210-08230	DAMPER (B)	4					
23	.	Y 183210-08260	URETHANE FOAM (B)	1					
24	.	Y 183210-08810	NUT, EARTH	1					
25	.	Y 183210-08850	SCREW M6X 10	12					
26	.	Y 183210-08860	SCREW M4X 8	12					
27	.	Y 183720-55210	GROMMET	1					
28	.	Y 26022-060122	SCREW M 6X 12	8					
29	.	Y 26022-060122	SCREW M 6X 12	4					
30	.	Y 26106-080142	BOLT M 8X 14 PLATED	4					
31	.	Y 26113-060162	BOLT M 6X 16	1					
32	.	Y 26753-060002	NUT M 6	1					

5 CYLINDER HEAD, AIR CLEANER & MUFFLER



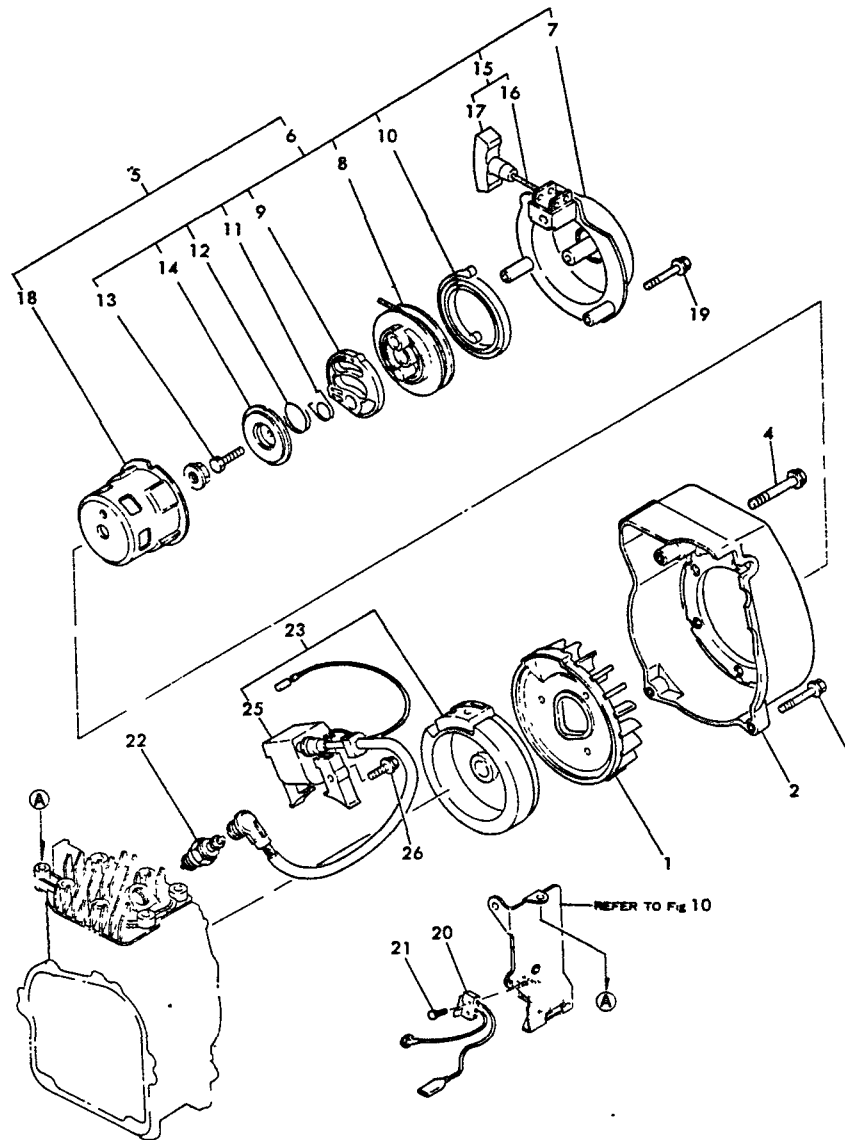
REF. NO.	LEV. 0	PART NO.	DESCRIPTION	-----Q'TY-----					
				(A)	(B)	(C)	(D)	(E)	(F)
1	.	Y 160567-11010	CYLINDER HEAD	1					
2	.	Y 160560-11100	INLET VALVE	1					
3	.	Y 160560-11110	EXHAUST VALVE	1					
4	.	Y 160664-11120	SPRING, VALVE	2					
5	.	Y 160560-11160	VALVE GUIDE	1					
6	.	Y 160664-11180	RETAINER, VALVE	2					
7	.	Y 760567-12560	AIR CLEANER ASSY	1					
8	..	Y 160567-12520	BODY, AIR CLEANER	1					
9	..	Y 760567-12540	CAP, AIR CLEANER	1					
13	..	Y 160567-12540	ELEMENT, AIR CLEANER	1					
14	..	Y 160567-12550	HOLDER, ELEMENT	1					
15	..	Y 160667-12570	SETSCREW, CAP	1					
16	.	Y 22272-000050	CIRCLIP E- 5	1					
17	.	Y 160510-56150	GASKET, CARBURETOR	1					
18	.	Y 26366-060002	U-NUT M 6	2					
19	.	Y 160560-13200	GASKET, MUFFLER	1					
20	.	Y 160667-13500	MUFFLER	1					
21	.	Y 160567-13700	COOLING GUIDE (A)	1					
22	.	Y 160567-13710	COOLING GUIDE (B)	1					
23	.	Y 160567-13720	COOLING GUIDE (C)	1					
24	.	Y 160667-13880	SPARK ARRESTER	1					
25	.	Y 26106-060082	BOLT M 6X 8 PLATED	1					
26	.	Y 26106-060082	BOLT M 6X 8 PLATED	1					
27	.	Y 26106-060082	BOLT M 6X 8 PLATED	4					
28	.	Y 26106-060082	BOLT M 6X 8 PLATED	1					
29	.	Y 26106-060122	BOLT M 6X 12 PLATED	1					
30	.	Y 26366-060002	U-NUT M 6	2					
31	.	Y 26476-060142	BOLT M 6X 14	1					

6 CAMSHAFT, GOVERNOR



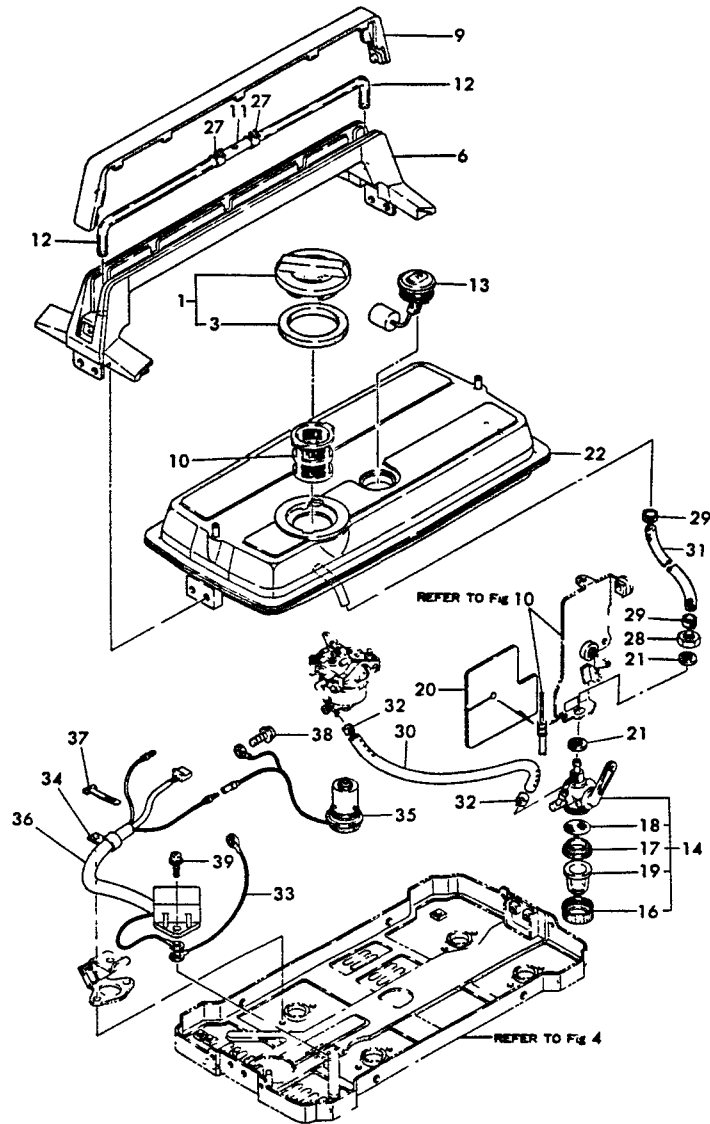
REF. NO.	LEV.	O	PART NO.	DESCRIPTION	-----Q'TY-----					
					(A)	(B)	(C)	(D)	(E)	(F)
1	.	Y	160564-14100	CAMSHAFT ASSY.	1					
7	..	Y	160664-14550	PIN, DECOMP.	1					
8	..	Y	160664-14560	SPRING, DECOMP.	1					
10	.	Y	160664-14200	TAPPET	2					
11	.	Y	160610-61100	SHAFT, GOVERNOR	1					
12	.	Y	160610-61300	SPINDLE	1					
13	.	Y	160567-61310	SHAFT, GOV. LEVER	1					
14	.	Y	160664-61600	GOVERNOR GEAR ASSY.	1					
18	.	Y	22137-060000	WASHER 6	1					
19	.	Y	22360-060000	SNAP PIN 6	1					

7 FAN CASE, STARTER & FLY. MAG.



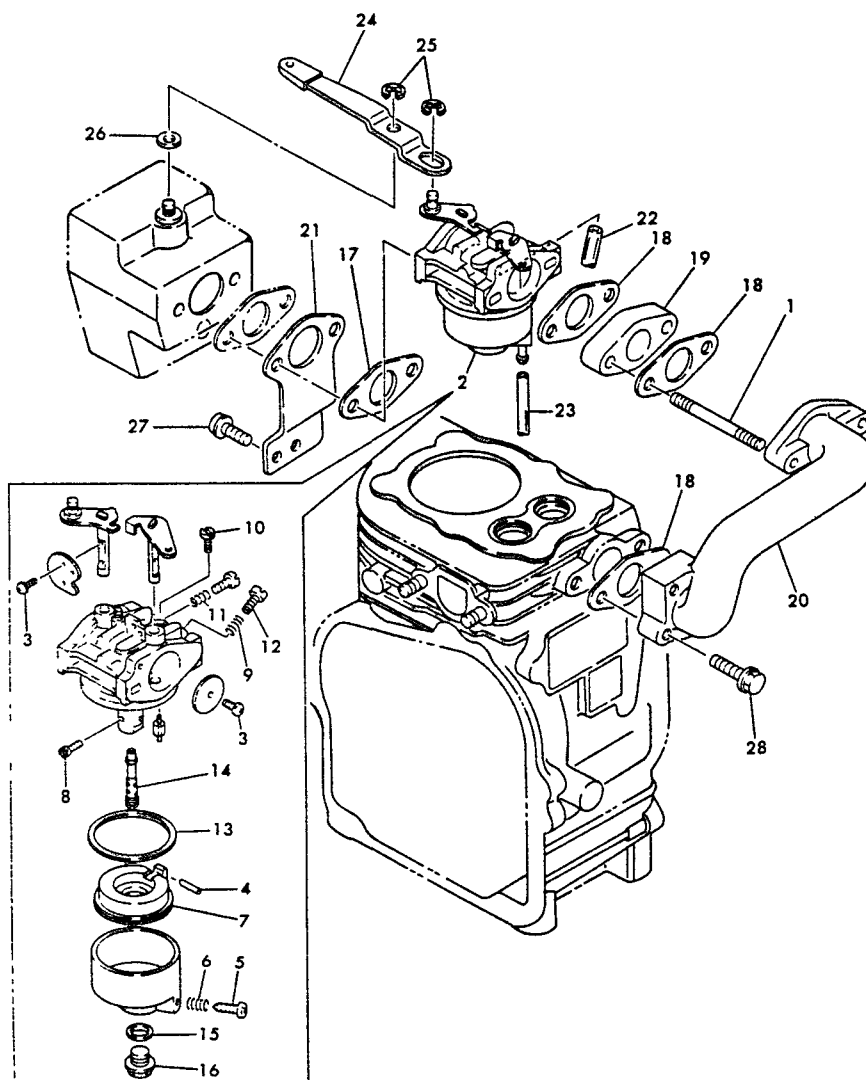
REF. NO.	LEV.	O	PART NO.	DESCRIPTION	-----Q'TY-----					
					(A)	(B)	(C)	(D)	(E)	(F)
1	.	Y	160564-45010	COOLING FAN	1					
2	.	Y	160567-45110	CASE, FAN	1					
3	.	Y	26476-060252	BOLT M 6X 25	2					
4	.	Y	26476-060402	BOLT M 6X 40	2					
5	.	Y	160567-76050	RECOIL STARTER ASSY.	1					
6	..	Y	160567-76250	RECOIL ASSY.	1					
7	...	Y	160567-76510	CASE ASSY, STARTER	1					
8	...	Y	160667-76520	REEL	1					
9	...	Y	160667-76530	RATCHT	1					
10	...	Y	160667-76540	SPRING, SPIRAL	1					
11	...	Y	160667-76550	SPRING, RETURN	1					
12	...	Y	160667-76560	SPRING, FRICTION	1					
13	...	Y	160667-76570	BOLT	1					
14	...	Y	160667-76580	PLATE, FRICTION	1					
15	...	Y	160667-76610	ROPE ASSY.	1					
16	Y	160667-76620	ROPE, STARTER	1					
17	Y	160667-76630	KNOB, STARTER	1					
18	..	Y	160567-76590	PULLEY, STARTER	1					
19	.	Y	26106-060352	BOLT M 6X 35 PLATED	3					
20	.	Y	160667-77250	STOP SWITCH	1					
21	.	Y	22857-200100	TAPPING SCREW	2					
22	.	Y	160520-78010	PLUG, SPARK	1					
23	.	Y	160567-78060	FLYWHEEL MAGNETO	1					
25	..	Y	160567-78510	IGNITER	1					
26	.	Y	26476-060202	BOLT M 6X 20	2					

8 F.O. TANK, F.O. PIPE, OIL SENSOR



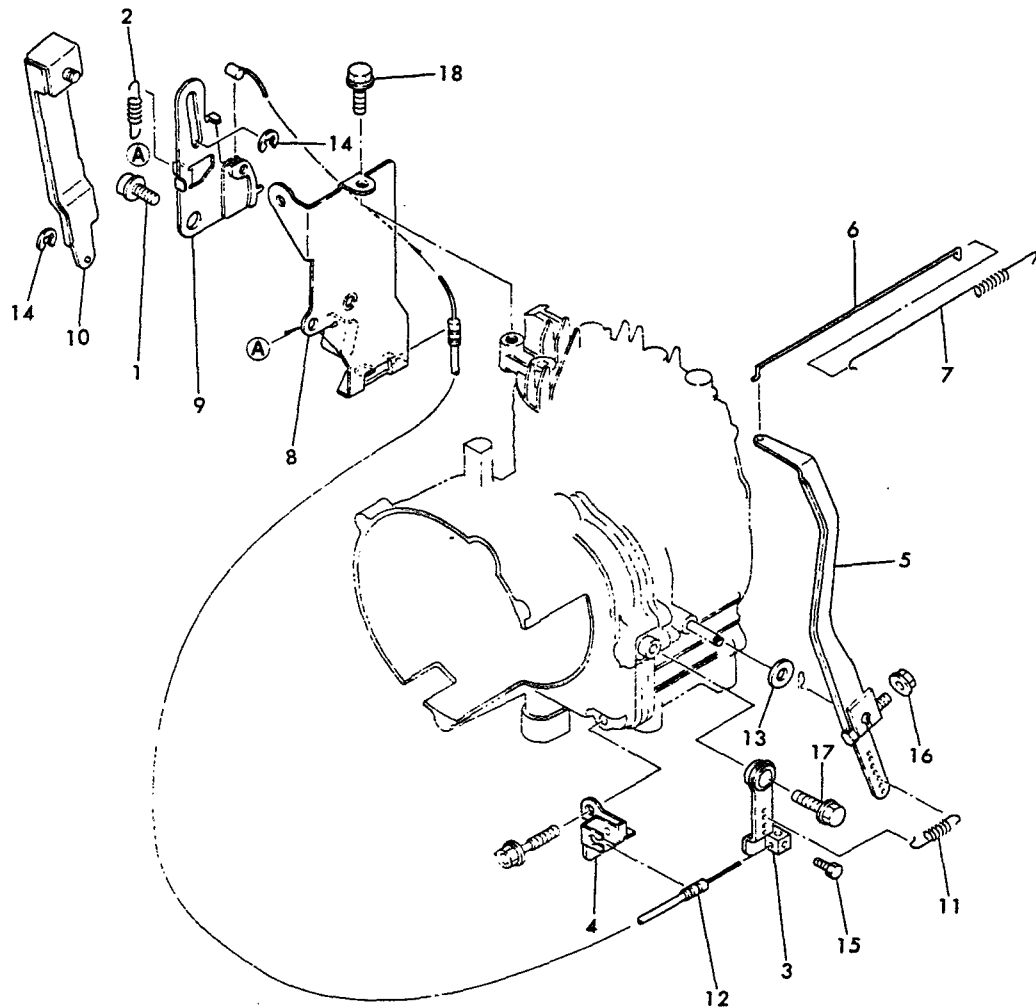
REF. NO.	LEV. 0	PART NO.	DESCRIPTION	-----Q'TY-----					
				(A)	(B)	(C)	(D)	(E)	(F)
1	.	Y 183210-55030	CAP ASSY., FUEL TANK	1					
3	..	Y 183210-55090	GASKET	1					
6	.	Y 183210-55051	GRIP ASSY, FUEL TANK	1					
9	.	Y 183210-55081	CAP, GRIP	1					
10	.	Y 183210-55110	FUEL FILTER	1					
11	.	Y 183210-55130	JOINT	1					
12	.	Y 183210-55140	HOSE	2					
13	.	Y 183110-55150	FUEL GAUGE	1					
14	.	Y 183210-55300	FUEL COCK ASSY.	1					
16	..	Y 160710-55360	RETAINER	1					
17	..	Y 160710-55370	GASKET	1					
18	..	Y 160210-55380	STRAINER, FUEL	1					
19	..	Y 160710-55390	BOWL, STRAINER	1					
20	.	Y 183110-55400	COVER	1					
21	.	Y 183110-55410	GASKET	2					
22	.	Y 783110-55730	FUEL TANK ASSY	1					
27	.	Y 183210-55650	CLAMP	2					
28	.	Y 26777-120002	LOCK NUT M12	1					
29	.	Y 106990-44660	CLAMP	2					
30	.	Y 160667-59360	FUEL PIPE (B)	1					
31	.	Y 160870-59360	PIPE, FUEL	1					
32	.	Y 124060-77680	CLAMP 10	2					
33	.	Y 160667-78210	LEAD WIRE (A)	1					
34	.	Y 160260-78700	CLAMP, CORD	1					
35	.	Y 160667-78800	SENSOR, OIL LEVEL	1					
36	.	Y 160667-78810	UNIT, OIL SENSOR	1					
37	.	Y 160370-78950	CLAMP	1					
38	.	Y 26022-060122	SCREW M 6X 12	1					
39	.	Y 26022-060122	SCREW M 6X 12	1					

9 CARBURETOR



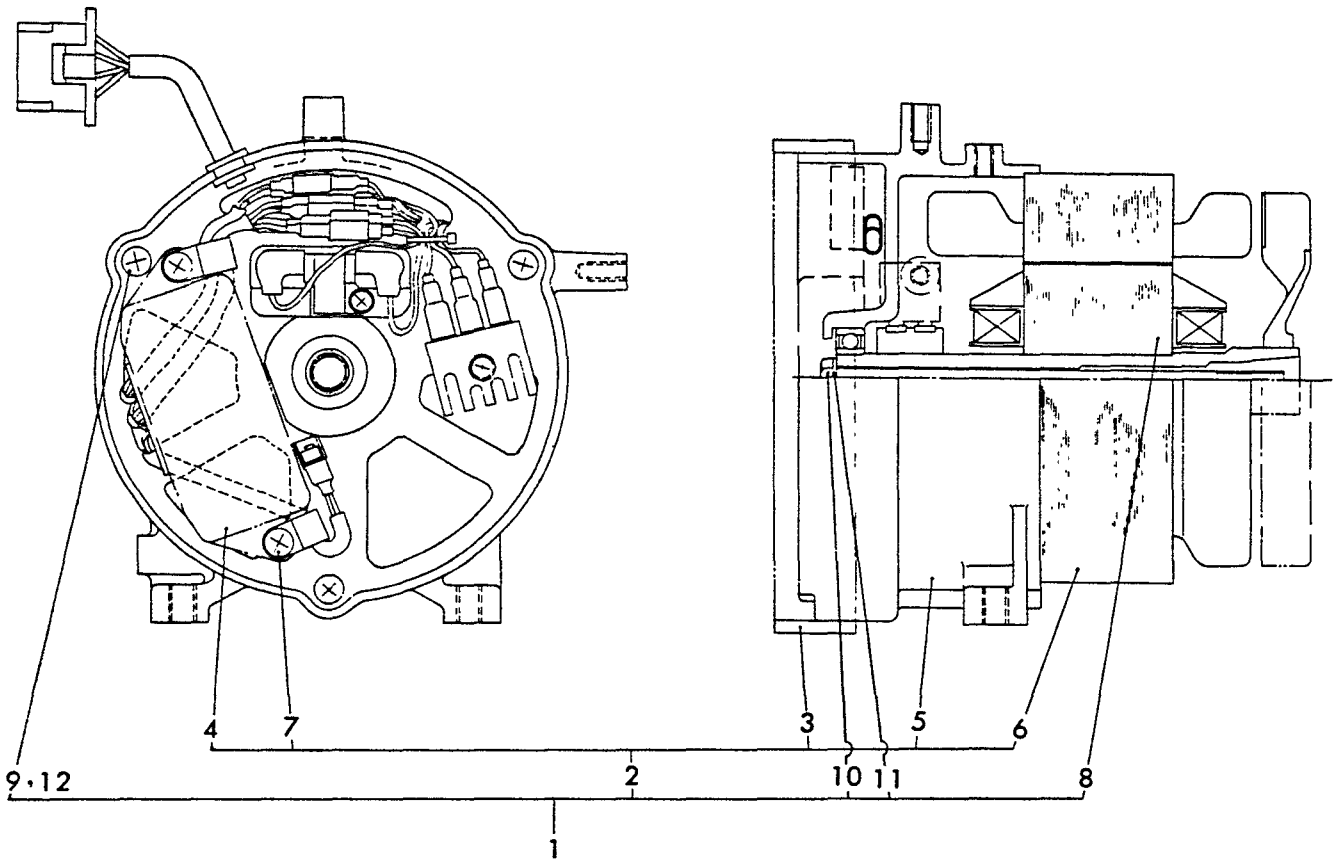
REF. NO.	LEV. 0	PART NO.	DESCRIPTION	-----Q'TY-----						
				(A)	(B)	(C)	(D)	(E)	(F)	
1	.	Y 160567-56860	PIN		2					
2	.	Y 160567-56011	CARBURETOR ASSY		1					
3	..	Y 160667-56670	SCREW		3					
4	..	Y 160667-56630	PIN, FLOAT		1					
5	..	Y 160610-56090	SCREW		1					
6	..	Y 181230-56380	SPRING		1					
7	..	Y 160667-56620	FLOAT ASSY		1					
8	..	Y 160567-56650	JET, MAIN		1					
9	..	Y 181130-56640	SPRING		1					
10	..	Y 160567-56740	JET, PILOT		1					
11	..	Y 181130-56640	SPRING		1					
12	..	Y 160667-56750	SCREW		1					
13	..	Y 160510-56610	GASKET		1					
14	..	Y 160567-56800	NOZZLE, MAIN		1					
15	..	Y 160910-56550	GASKET		1					
16	..	Y 160910-56660	BOLT		1					
17	.	Y 160510-56150	GASKET		1					
18	.	Y 160667-56150	GASKET, CARBURETOR		3					
19	.	Y 160667-56160	SPACER, CARBURETOR		1					
20	.	Y 160667-56850	INTAKE MANIFOLD		1					
21	.	Y 160667-56870	SUPPORT		1					
22	.	Y 160520-56880	PIPE		1					
23	.	Y 160730-56880	HOSE		1					
24	.	Y 160667-56900	CHOKE LEVER		1					
25	.	Y 22272-000050	CIRCLIP E- 5		2					
26	.	Y 23418-060000	PACKING 6,NYLON		1					
27	.	Y 26022-060122	SCREW M 6X 12		2					
28	.	Y 26476-060252	BOLT M 6X 25		2					

10 ENGINE CONTROL DEVICE



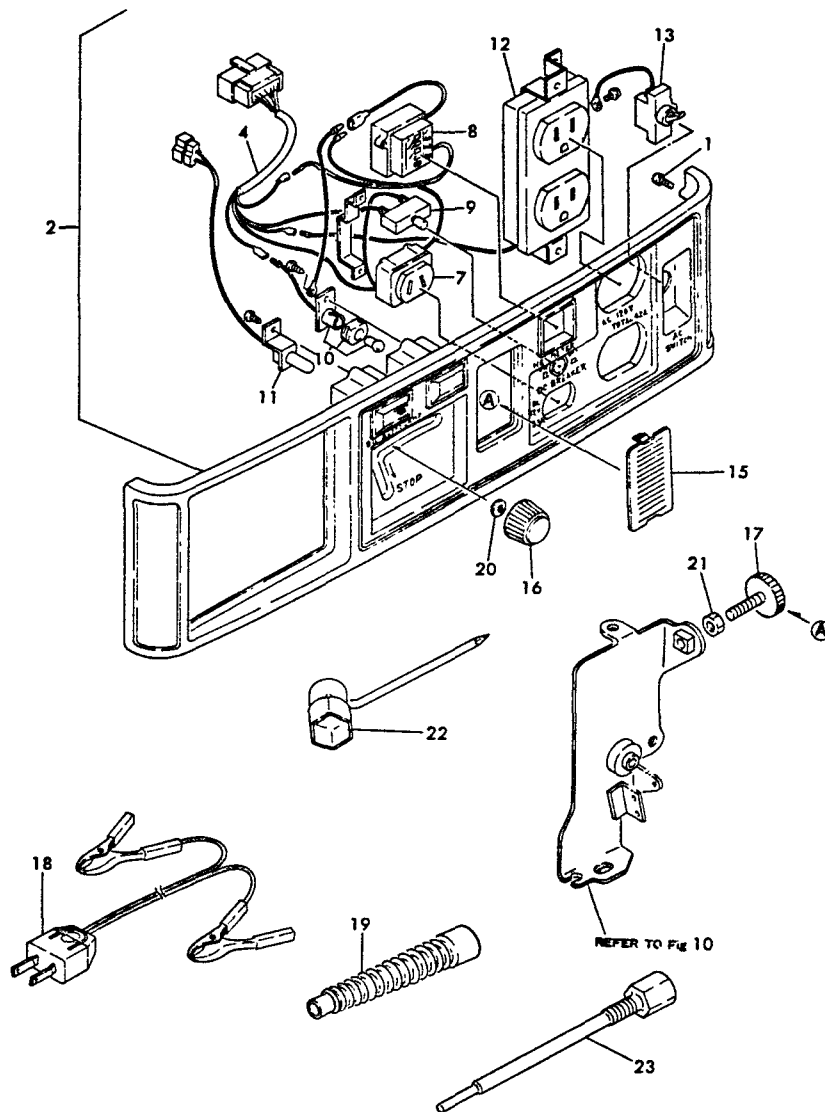
REF. NO.	LEV. 0	PART NO.	DESCRIPTION	-----Q'TY-----					
				(A)	(B)	(C)	(D)	(E)	(F)
1	.	Y183210-08850	SCREW	1					
2	.	Y160567-66020	SPRING, REGULATOR	1					
3	.	Y160667-66050	HANDLE ASSY.	1					
4	.	Y160667-66110	WIRE HOLDER	1					
5	.	Y160567-66150	LEVER, GOVERNOR	1					
6	.	Y160667-66200	LINK, THROTTLE	1					
7	.	Y160667-66210	SPRING, TENSION	1					
8	.	Y160567-66300	BRACKET, CONT. LEVER	1					
9	.	Y160667-66310	LEVER, CONTROL	1					
10	.	Y160667-66320	LEVER, CONT. SHIFT	1					
11	.	Y160667-66330	SPRING, CONT. LEVER	1					
12	.	Y160667-66380	THROTTLE WIRE ASSY.	1					
13	.	Y160120-76940	WASHER	1					
14	.	Y22272-000050	CIRCLIP E- 5	2					
15	.	Y26117-040088	BOLT M 4X 8 PLATED	1					
16	.	Y26366-060002	U-NUT M 6	1					
17	.	Y26476-060142	BOLT M 6X 14	1					
18	.	Y26476-060142	BOLT M 6X 14	2					

11 GENERATOR



REF. NO.	LEV. 0	PART NO.	DESCRIPTION	-----Q'TY-----					
				(A)	(B)	(C)	(D)	(E)	(F)
1	.	Y183110-74070	GENERATOR	1					
2	..	Y183110-74190	STATOR ASSY.	1					
3	...	Y183210-74250	URETHANE FOAM	1					
4	...	Y183210-74260	CONDENSER	1					
5	...	Y183110-74280	COVER, REAR	1					
6	...	Y183110-74300	STATOR	1					
7	...	Y183620-74310	SCREW M 5X10	2					
8	..	Y183110-74360	ROTOR ASSY.	1					
9	..	Y183110-74410	THROUGH BOLT	3					
10	..	Y183110-74430	BOLT, HARD	1					
11	..	Y183110-74440	SPRING WASHR	1					
12	..	Y22217-050000	SPRING WASHER 5	3					

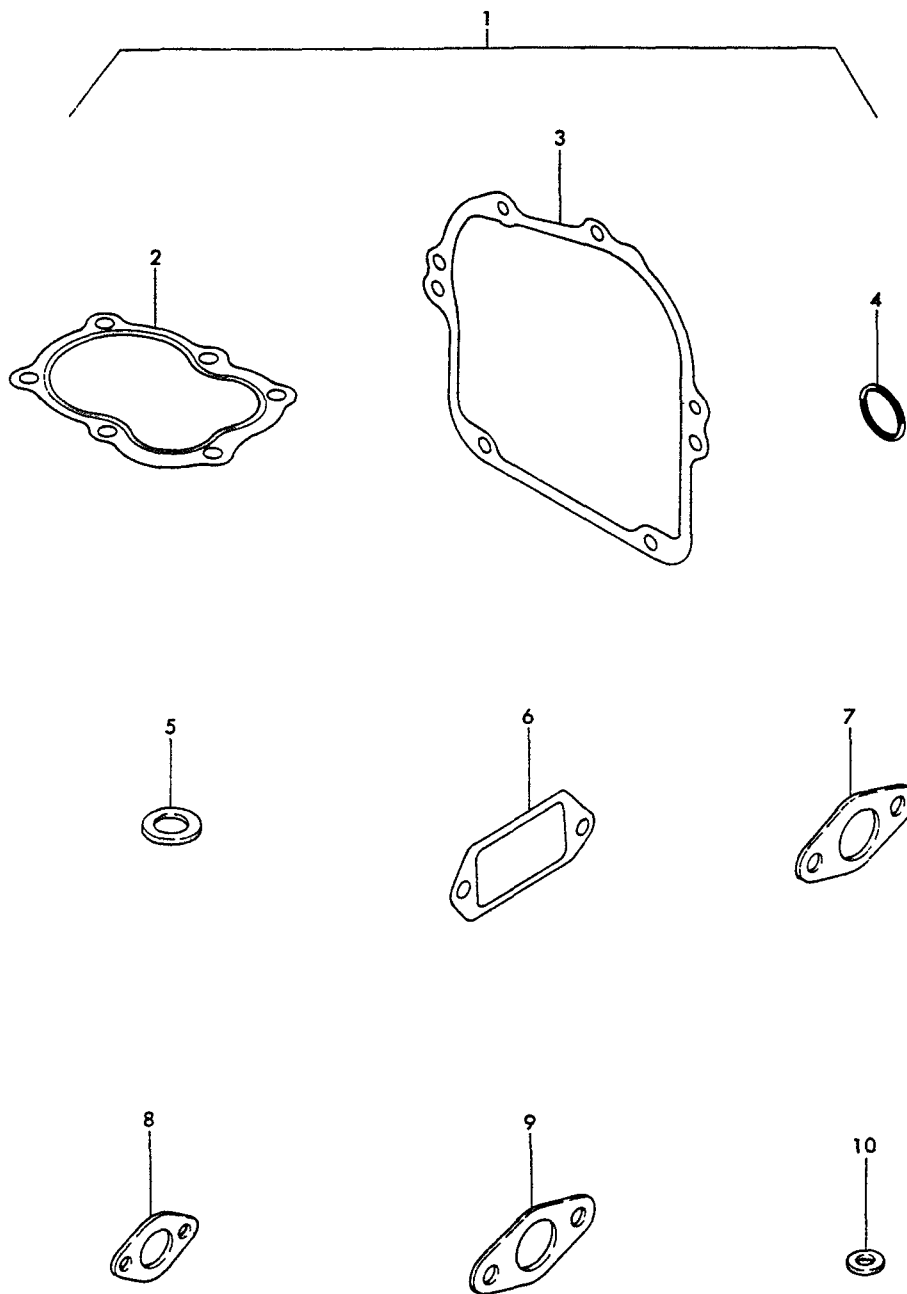
12 PANEL, TOOLS



REF. NO.	LEV. 0	PART NO.	DESCRIPTION	-----Q'TY-----					
				(A)	(B)	(C)	(D)	(E)	(F)
1	.	Y160610-04260	SCREW	8					
2	.	Y783110-91060	PANEL BOARD ASSY	1					
4	...	Y183110-91120	WIRE HARNESS	1					
7	...	Y183720-91250	CONSENT	1					
8	...	Y183210-91320	FREQUENCY METER	1					
9	...	Y183210-91340	DC PROTECTOR	1					
10	...	Y183210-91350	PILOT LAMP	1					
11	...	Y183210-91360	SIGNAL LAMP, OIL	1					
12	...	Y183210-91380	AC CONSENT	1					
13	...	Y183110-91390	AC BREAKER	1					
15	.	Y183210-91090	BLIND COVER	1					
16	.	Y183210-91210	KNOB	1					
17	.	Y183210-91250	SCREW	1					
18	.	Y183210-91880	CABLE, CHARGING	1					
19	.	Y183210-91890	OIL FUNNEL	1					
20	.	Y22287-040000	WASHER 4	1					
21	.	Y26757-060002	LOCK NUT M 6 PLATED	1					
22	.	Y160667-92700	BOX SPANNER	1					
23	.	Y183110-92350	BOX SPANNER	1					

OPTIONAL PART.

13 GASKET SET (OPTIONAL)



REF. NO.	LEV. 0	PART NO.	DESCRIPTION	-----Q'TY-----					
				(A)	(B)	(C)	(D)	(E)	(F)
1	.	Y760567-92600	GASKET SET	1					
2	..	Y160560-01331	GASKET, CYL. HEAD	1					
3	..	Y160560-01410	GASKET, CRANK CASE	1					
4	..	Y24311-000150	O-RING 15-P	1					
5	..	Y104200-59170	GASKET 12	1					
6	..	Y160560-03070	GASKET, TAPPET	1					
7	..	Y160510-56150	GASKET, CARBURETOR	2					
8	..	Y160560-13200	GASKET, MUFFLER	1					
9	..	Y160667-56150	GASKET, CARBURETOR	3					
10	..	Y23418-060000	NYLON PACKING -6	1					