

# EA-410 Earth Auger

Barrena Para Tierra  
42.7 cc

S/N: S05503001001 - S05503999999



## Optional Attachments & Accessories Accessories

## Accesorios & Accesorios Opcionales Accesorios

Ice Auger Cover - 8"	99922203813	Cubierta de barrenadora de hielo - 8"
Ice Auger Cover - 10"	99922203814	Cubierta de barrenadora de hielo - 10"
Earth Auger With Point - 2"	99944900150	Barrenadora con punta - 5cm
Earth Auger With Point - 3"	99944900160	Barrenadora con punta - 7.5cm
Earth Auger With Point - 4"	99944900170	Barrenadora con punta - 10cm
Earth Auger With Point/Spring - 6"	99944900180	Barrenadora con punta y resorte - 15cm
Earth Auger With Point/Spring - 8"	99944900190	Barrenadora con punta y resorte - 20cm
Earth Auger With Point/Spring - 10"	99944900200	Barrenadora con punta y resorte - 25cm
Extension Shaft - 7/8 X 18"	99944900210	Eje de extensión - 2 a 45cm
Extension Shaft - 7/8 X 12"	99944900220	Eje de extensión - 2 a 30cm
Earth Auger Replacement Blade - 4"	99944900230	Cuchilla de barrenadora - 10cm
Earth Auger Replacement Blade - 6"	99944900240	Cuchilla de barrenadora - 15cm
Earth Auger Replacement Blade - 8"	99944900250	Cuchilla de barrenadora - 20cm
Earth Auger Replacement Blade - 10"	99944900260	Cuchilla de barrenadora - 25cm
Replacement Point	99944900270	Punta de reemplazo
Ice Auger Replacement Point Kit	99944900275	Punta de barrenadora
8" Ice Auger Dual Blade	99944900280	Cuchilla doble de barrenadora - 20cm
10" Ice Auger Dual Blade	99944900290	Cuchilla doble de barrenadora - 25cm
8" Ice Auger Replacement Blade	99944900300	Cuchilla de barrenadora - 20cm
10" Ice Auger Replacement Blade	99944900310	Cuchilla de barrenadora - 25cm

**ECHO**®

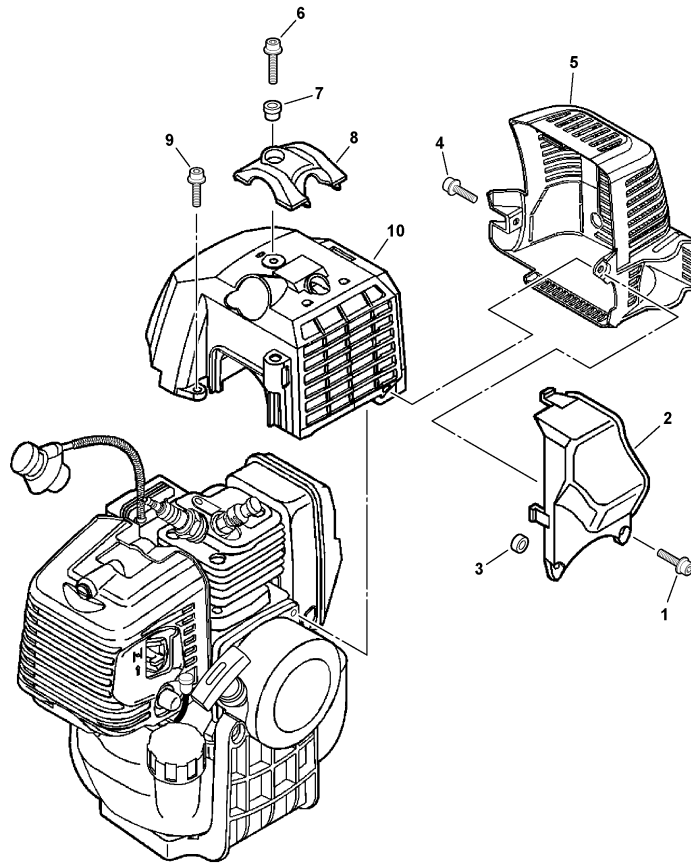
**TABLE OF CONTENTS - CONTENIDO**

*Click Any Diagram Description Below To View That Diagram  
Chasque cualquier descripción del diagrama abajo para ver ese diagrama*

<b>Engine Cover, Exhaust Cover, Exhaust Deflector</b> .....	<b>3</b>
Cubierta del motor, cubierta del escape, deflector del escape	
<b>Intake</b> .....	<b>4</b>
Admisión	
<b>Carburetor -- WYK-226A</b> .....	<b>5</b>
Carburador -- WYK-226A	
<b>Exhaust</b> .....	<b>7</b>
Escape	
<b>Fuel System, Starter</b> .....	<b>8</b>
Sistema de combustible, arrancador	
<b>Fan Cover, Clutch</b> .....	<b>10</b>
Cubierta del ventilador, embrague	
<b>Ignition</b> .....	<b>11</b>
Ignición	
<b>Engine, Short Block -- SB1097, Decompression Assembly</b> .....	<b>12</b>
Motor, bloque corto -- SB1097, conjunto de descompresión	
<b>Auger Bits</b> .....	<b>13</b>
Puntas de barrenadora	
<b>Throttle Control, Ignition Switch, Throttle Cable</b> .....	<b>15</b>
Control del acelerador, interruptor del encendido, cable del acelerador	
<b>Handlebar Assembly, Gearcase</b> .....	<b>16</b>
Conjunto del manubrio, caja de engranajes	
<b>Labels</b> .....	<b>17</b>
Etiquetas	
<b>Gasket Kit -- P021003370</b> .....	<b>18</b>
Kit de juntas -- P021003370	
<b>Part Number Index</b> .....	<b>19</b>
Índice Del Número De Parte	

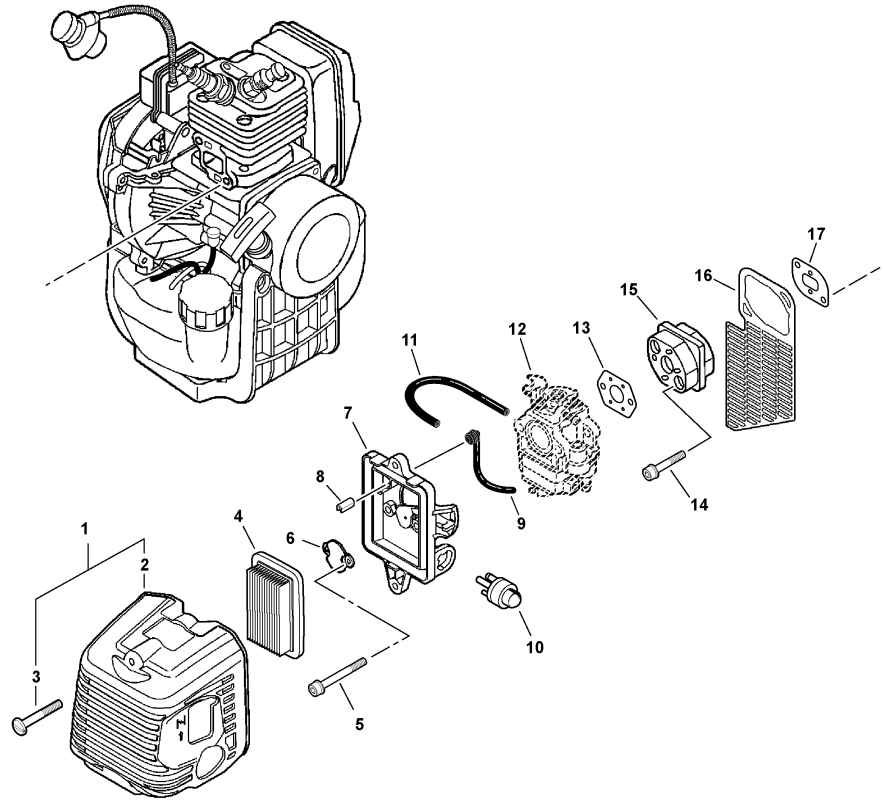


**NOTES -- NOTAS**

**Barrena Para Tierra**
**Engine Cover, Exhaust Cover, Exhaust Deflector  
Cubierta del motor, cubierta del escape, deflector del escape**


001 0007 00B

①	90010605025	2	SCREW - 5X25	TORNILLO - 5X25
2	A161000080	1	DEFLECTOR, EXHAUST	DEFLECTOR, EXHAUST
3	V354000100	1	SPACER	ESPACIADOR
4	90010605012	1	SCREW - 5X12	TORNILLO - 5X12
5	A320000111	1	COVER, EXHAUST	COVER, EXHAUST
6	90010605020	1	SCREW - 5X20	TORNILLO - 5X20
7	V353000020	1	COLLAR - 5	COLLAR - 5
8	A162000020	1	GUARD, TOP	GUARD, TOP
9	90010605012	1	SCREW - 5X12	TORNILLO - 5X12
10	A160000241	1	COVER, ENGINE - ORANGE	COVER, ENGINE - ORANGE

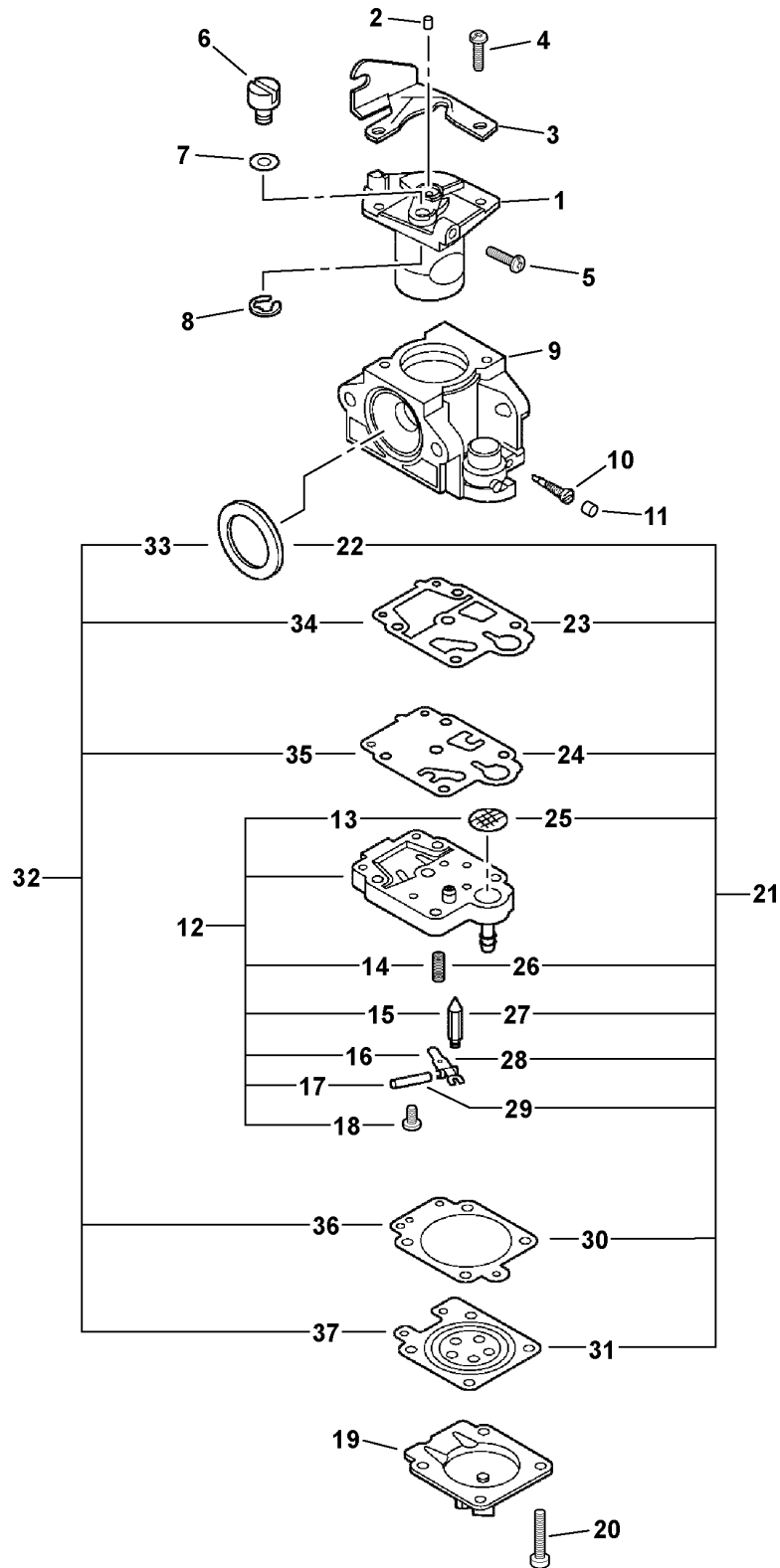


005 0016 00B

①	P021012110	1	AIR CLEANER COVER ASY	AIR CLEANER COVER ASY
2	+ A232000390	1	COVER, AIR CLEANER	CUBIERTA, FILTRO DE AIRE
3	+ V253000100	2	SCREW - 5X20	SCREW - 5X20
4	A226000360	1	FILTER, AIR	FILTRO DE AIRE
5	90010505055	2	SCREW - 5X55	TORNILLO - 5X55
6	A244000010	1	PLATE, PREVENT	PLATE, PREVENT
7	P021009590	1	CASE, AIR CLEANER	CASE, AIR CLEANER
8	A239000050	1	PIPE, INTAKE	PIPE, INTAKE
9	13201239331	1	PIPE, VENT - GROMMET	TUBO, RESPIRADERO - ANILLO DE GOMA
10	12318139130	1	BULB, PURGE	BULBO, PURGA
11	V471001560	1	PIPE - 3X5X80 -- BLACK <sup>(1)</sup>	PIPE - 3X5X80 -- BLACK <sup>(1)</sup>
12	-----	1	CARBURETOR <sup>(2)</sup>	CARBURADOR <sup>(2)</sup>
13	V103000080	1	GASKET, INTAKE <sup>(3)</sup>	JUNTA, ADMISIÓN <sup>(3)</sup>
14	90010605025	2	SCREW - 5X25	TORNILLO - 5X25
15	A200000060	1	INSULATOR, INTAKE	INSULATOR, INTAKE
16	A128000060	1	SHIELD, DEBRIS	SHIELD, DEBRIS
17	V103000070	1	GASKET, INTAKE <sup>(3)</sup>	JUNTA, ADMISIÓN <sup>(3)</sup>

(FOOTNOTE) 1 - RePower BULK OPTION: 90014  
 2 - See Carburetor Diagram For Details  
 3 - Included In GASKET KIT

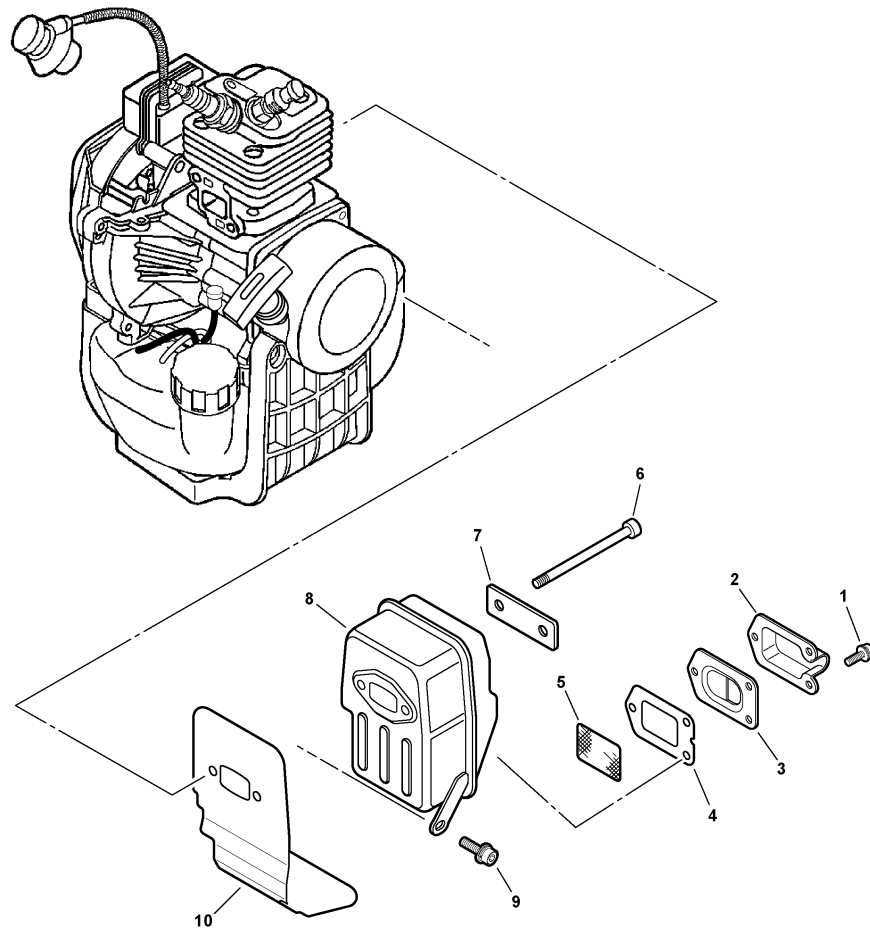
(NOTA DEL PIE) 1 - OPCIÓN A GRANERL de la RePower: 90014  
 2 - Vea el diagrama del carburador para los detalles  
 3 - Incluido en KIT de la JUNTA



	A021001171	1	CARBURETOR -- WYK-226A	CARBURETOR -- WYK-226A
①	+ -----	1	THROTTLE VALVE ASY <sup>(1)</sup>	CONJUNTO DE VÁLVULA DEL ACELERADOR <sup>(1)</sup>
2	+ A259000000	1	CAP, LIMITER	CAP, LIMITER
3	+ P003000180	1	BRACKET, CABLE	BRACKET, CABLE
4	+ 12311440630	2	SCREW	TORNILLO
5	+ 12313440030	1	SCREW, IDLE ADJUST	TORNILLO, AJUSTE DE RALENTÍ
6	+ 12317245130	1	SWIVEL	PIVOTE
7	+ 12314954230	1	WASHER	ARANDELA
8	+ 12317307930	1	RING, RETAINING	ANILLO, RETÉN
9	+ -----	1	BODY, CARBURETOR <sup>(1)</sup>	CUERPO, CARBURADOR <sup>(1)</sup>
10	+ P003001130	1	NEEDLE - HIGH SPEED	AGUJA - ALTA VELOCIDAD
11	+ A259000000	1	CAP, LIMITER	CAP, LIMITER
12	+ P003001490	1	PUMP BODY ASY	CONJUNTO DE CUERPO DE BOMBA
13	+ -----	1	STRAINER	TAMIZ
14	+ -----	1	SPRING, METERING LEVER	RESORTE, PALANCA DE DOSIFICACIÓN
15	+ -----	1	VALVE, INLET NEEDLE	VÁLVULA DE AGUJA, ADMISIÓN
16	+ -----	1	LEVER, METERING	PALANCA, DOSIFICACIÓN
17	+ -----	1	PIN, METERING LEVER	PASADOR, PALANCA DE DOSIFICACIÓN
18	+ 12313905560	1	SCREW, METERING LEVER PIN	TORNILLO, PASADOR DE RETÉN
19	+ P003001500	1	COVER, PRIMER PUMP	COVER, PRIMER PUMP
20	+ 12314444330	4	SCREW, RETAINER	TORNILLO, RETÉN
21	+ P003000660	1	REPAIR KIT	KIT DE REPARACIÓN
22	+ -----	1	RING, PACKING	ANILLO, JUNTA
23	+ -----	1	GASKET, PUMP	JUNTA, BOMBA
24	+ -----	1	DIAPHRAGM, PUMP	DIAFRAGMA, BOMBA
25	+ -----	1	STRAINER	TAMIZ
26	+ -----	1	SPRING, METERING LEVER	RESORTE, PALANCA DE DOSIFICACIÓN
27	+ -----	1	VALVE, INLET NEEDLE	VÁLVULA DE AGUJA, ADMISIÓN
28	+ -----	1	LEVER, METERING	PALANCA, DOSIFICACIÓN
29	+ -----	1	PIN, METERING LEVER	PASADOR, PALANCA DE DOSIFICACIÓN
30	+ -----	1	GASKET, DIAPHRAGM	JUNTA, DIAFRAGMA
31	+ -----	1	DIAPHRAGM, METERING	DIAFRAGMA, DOSIFICACIÓN
32	+ P003000650	1	DIAPHRAGM/GASKET KIT	DIAPHRAGM/GASKET KIT
33	+ -----	1	RING, PACKING	ANILLO, JUNTA
34	+ -----	1	GASKET, PUMP	JUNTA, BOMBA
35	+ -----	1	DIAPHRAGM, PUMP	DIAFRAGMA, BOMBA
36	+ -----	1	GASKET, DIAPHRAGM	JUNTA, DIAFRAGMA
37	+ -----	1	DIAPHRAGM, METERING	DIAFRAGMA, DOSIFICACIÓN

(FOOTNOTE) 1 - NOT AVAILABLE SEPARATELY

(NOTA DEL PIE) 1 - NO DISPONIBLE POR SEPARADO



006 0038 00B

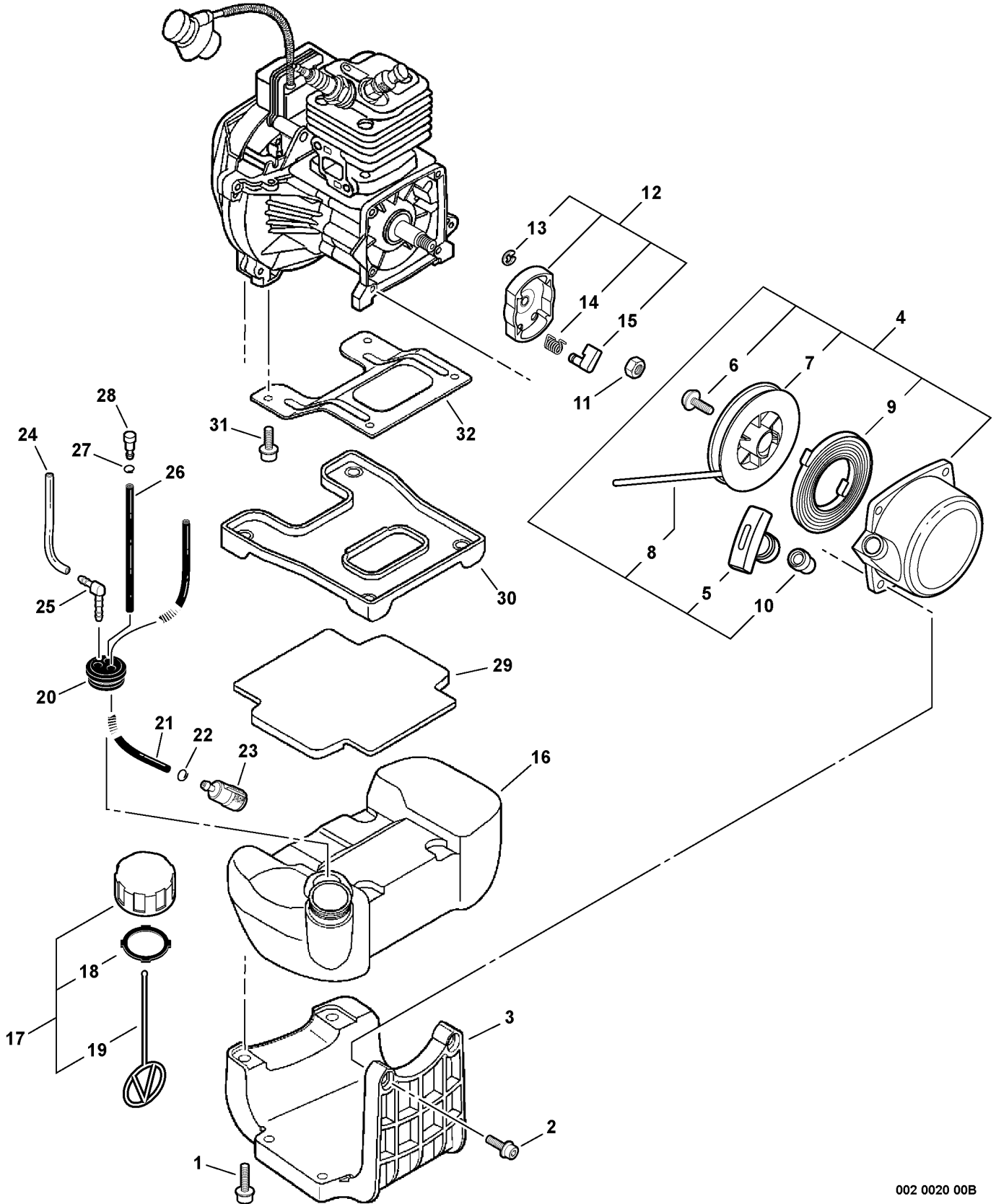
1	90024204010	3	SCREW - 4X10	TORNILLO - 4X10
2	A313000290	1	GUIDE, EXHAUST - OUTER	GUIDE, EXHAUST - OUTER
3	A313000300	1	GUIDE, EXHAUST - INNER	GUIDE, EXHAUST - INNER
4	14586642031	1	GASKET, EXHAUST <sup>(1)</sup>	JUNTA, ESCAPE <sup>(1)</sup>
5	14586240630	1	SCREEN, SPARK ARRESTER	PANTALLA, SUPRESOR DE CHISPAS
6	90010506060	2	SCREW - 6X60	TORNILLO - 6X60
7	V150000550	1	PLATE, EYE	PLATE, EYE
8	A300000231	1	MUFFLER	SILENCIADOR
9	90016205012	1	SCREW - 5X12	TORNILLO - 5X12
10	V104000241	1	SHIELD, EXHAUST <sup>(1)</sup>	PROTECTOR, ESCAPE <sup>(1)</sup>

(FOOTNOTE) 1 - Included In GASKET KIT

(NOTA DEL PIE) 1 - Incluido en KIT de la JUNTA



Barrena Para Tierra

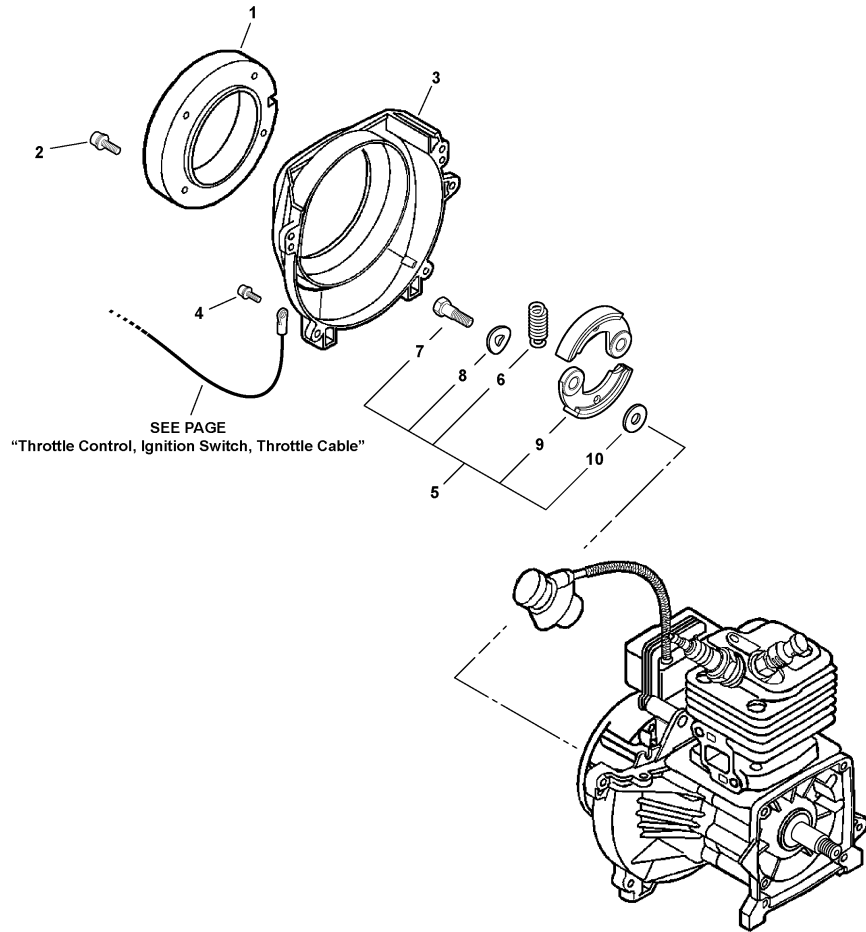
Fuel System, Starter  
Sistema de combustible, arrancador

002 0020 00B

1	90010605020	2	SCREW - 5X20	TORNILLO - 5X20
2	90010605025	2	SCREW - 5X25	TORNILLO - 5X25
3	A393000050	1	BRACKET, FUEL TANK	BRACKET, FUEL TANK
4	A051000190	1	STARTER ASY	STARTER ASY
5	+ 17722827030	1	GRIP, STARTER	AGARRE, ARRANCADOR
6	+ 17723606910	1	SCREW	TORNILLO
7	+ P022002080	1	SPOOL, STARTER ROPE	SPOOL, STARTER ROPE
8	+ 17722606310	1	ROPE, STARTER - 3.5X1000 <sup>(1)</sup>	CUERDA, ARRANCADOR - 3.5X1000 <sup>(1)</sup>
9	+ 17722006310	1	SPRING, REWIND	RESORTE, REBOBINADO
10	+ 17722742030	1	GUIDE, ROPE	GUÍA, CUERDA
11	90050200008	1	NUT - 8	TUERCA - 8
12	A052000011	1	STARTER PAWL ASY	STARTER PAWL ASY
13	+ P022002100	1	RING, RETAINING - 4	RING, RETAINING - 4
14	+ 17723440630	1	SPRING, RETURN	RESORTE, RETORNO
15	+ 17721840630	1	PAWL, STARTER	TRINQUETE, ARRANCADOR
16	A350000131	1	TANK, FUEL	TANK, FUEL
17	13100455530	1	CAP ASY - ORANGE	CONJUNTO DE TAPA - NARANJA
18	+ 13101655830	1	GASKET	JUNTA
19	+ 13105156030	1	CONNECTOR, CAP	CONECTOR, TAPA
20	13211555930	1	GROMMET	ANILLO DE GOMA
21	13201053630	1	PIPE - 3X6X180 -- BLACK <sup>(2)</sup>	TUBO - 3X6X180 -- NEGRO <sup>(2)</sup>
22	13201326630	1	CLIP	GANCHO
23	13120519831	1	FILTER, FUEL	FILTRO DE COMBUSTIBLE
24	43721520760	1	PIPE, RETURN - 3X6X60 <sup>(3)</sup>	TUBO, RETORNO - 3X6X60 <sup>(3)</sup>
25	V186000080	1	CONNECTOR, TUBE	CONNECTOR, TUBE
26	13201202960	1	PIPE - 3X6X120 <sup>(2)</sup>	TUBO - 3X6X120 <sup>(2)</sup>
27	13201326630	1	CLIP	GANCHO
28	A356000030	1	VENT ASY	VENT ASY
29	A390000010	1	CUSHION, FUEL TANK	CUSHION, FUEL TANK
30	A390000000	1	SEAT, FUEL TANK	SEAT, FUEL TANK
31	90010605012	4	SCREW - 5X12	TORNILLO - 5X12
32	A393000030	1	BRACKET, FUEL TANK	BRACKET, FUEL TANK

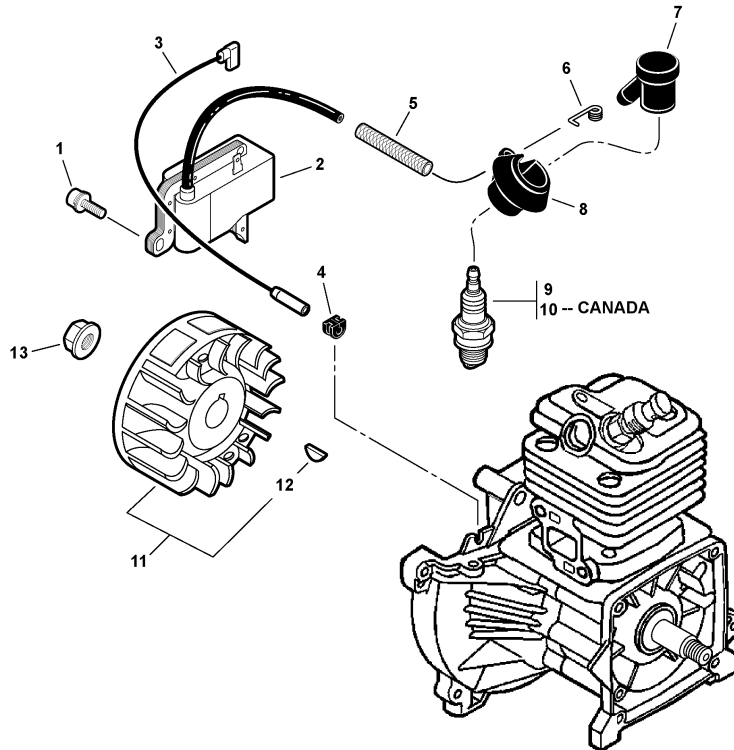
(FOOTNOTE) 1 - RePower BULK OPTION: 99944445000  
2 - RePower BULK OPTION: 90015  
3 - RePower BULK OPTION: 90017

(NOTA DEL PIE) 1 - OPCIÓN A GRANEL de la RePower: 99944445000  
2 - OPCIÓN A GRANEL de la RePower: 90015  
3 - OPCIÓN A GRANEL de la RePower: 90017



003 0015 00B

1	A551000041	1	PLATE, CLUTCH	PLATE, CLUTCH
2	90016205020	4	SCREW - 5X20	TORNILLO - 5X20
3	A172000230	1	CASE, FAN	CASE, FAN
4	90016205020	4	SCREW - 5X20	TORNILLO - 5X20
5	P021002481	1	CLUTCH ASY	CLUTCH ASY
6	+ V451000480	1	SPRING	RESORTE
7	+ A557000000	2	BOLT, CLUTCH	BOLT, CLUTCH
8	+ V346000000	2	WASHER - SPRING	WASHER - SPRING
9	+ A553000030	2	SHOE, CLUTCH	SHOE, CLUTCH
10	+ 17504903920	2	WASHER	ARANDELA

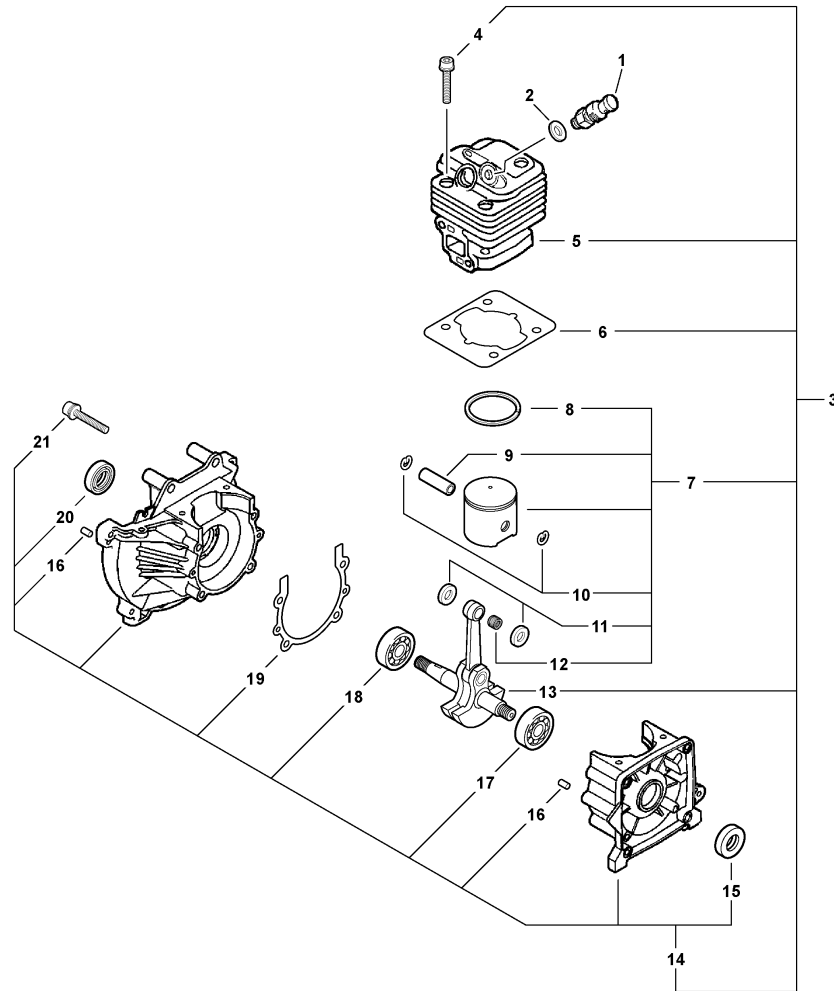


007 0037 00B

<b>1</b>	90016205020	2	SCREW - 5X20	TORNILLO - 5X20
<b>2</b>	A411000050	1	COIL, IGNITION	COIL, IGNITION
<b>3</b>	16201055630	1	LEAD	CABLE CONDUCTOR
<b>4</b>	15611404920	1	GROMMET	ANILLO DE GOMA
<b>5</b>	V475001610	1	TUBE, INSULATOR	TUBE, INSULATOR
<b>6</b>	A426000000	1	TERMINAL, SPARK PLUG CAP	TERMINAL, SPARK PLUG CAP
<b>7</b>	A427000000	1	CAP, SPARK PLUG	CAP, SPARK PLUG
<b>8</b>	V141000020	1	COVER, DUST	COVER, DUST
<b>9</b>	15901010630	1	SPARK PLUG -- BPM-7A	BUJÍA -- BPM-7A
<b>10</b>	15901010230	1	SPARK PLUG -- BPMR-7A <sup>(1)</sup>	BUJÍA -- BPMR-7A <sup>(1)</sup>
<b>11</b>	P021005911	1	FLYWHEEL KIT	FLYWHEEL KIT
<b>12</b>	+ 90032303014	1	KEY, WOODRUFF - 3X14	CHAVETA, WOODRUFF - 3X14
<b>13</b>	90051900010	1	NUT - 10 -- FLANGE	TUERCA, DE BRIDA - 10

(FOOTNOTE) 1 - CANADA MODELS

(NOTA DEL PIE) 1 - MODELOS DE CANADÁ

**Barrena Para Tierra**
**Engine, Short Block -- SB1097, Decompression Assembly  
Motor, bloque corto -- SB1097, conjunto de descompresión**


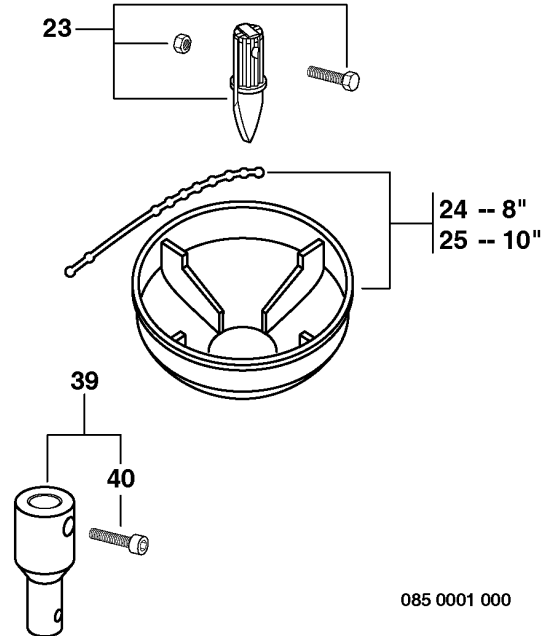
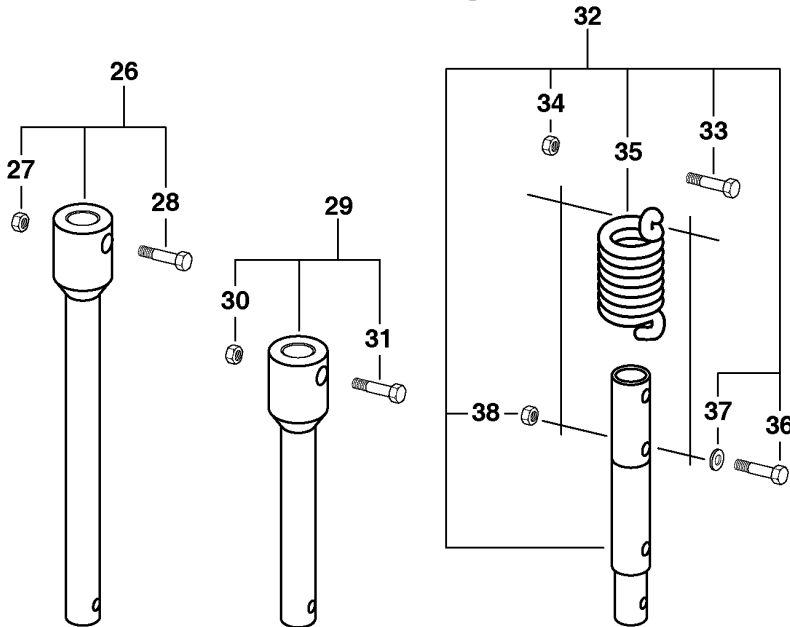
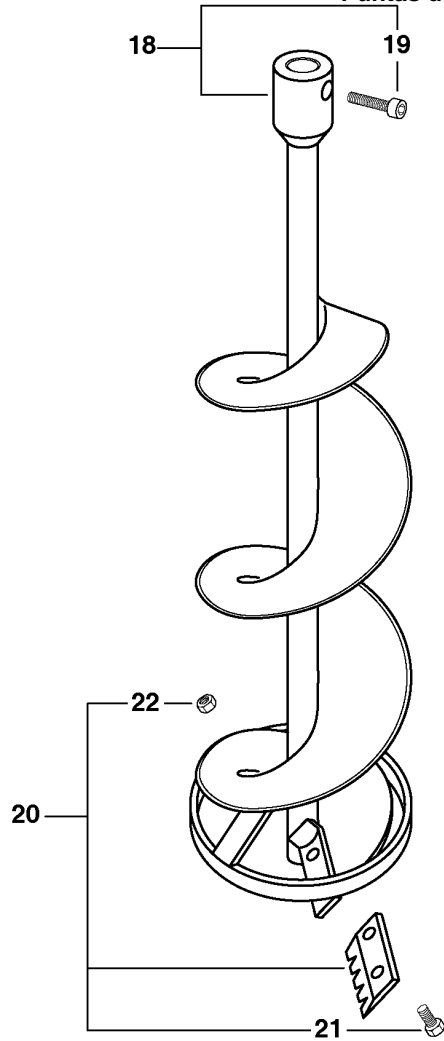
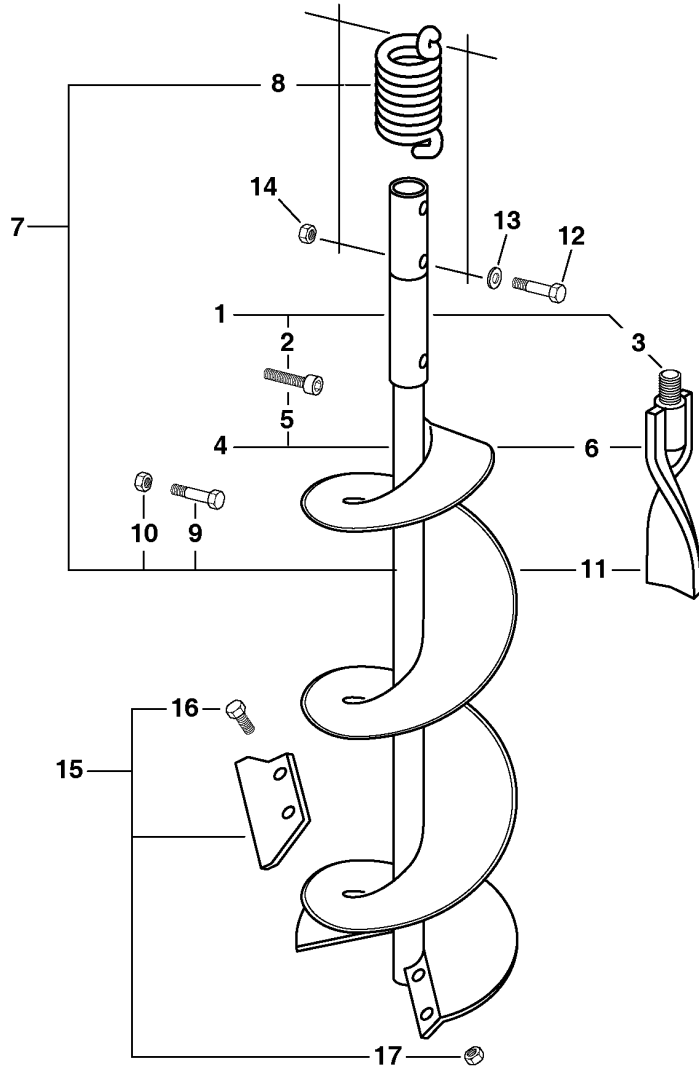
SB1097 0000 000

<b>1</b>	A014000000	1	DECOMPRESSION ASY	DECOMPRESSION ASY
<b>2</b>	15902537530	1	WASHER	ARANDELA
<b>3</b>	SB1097	1	SHORT BLOCK -- SB1097	SHORT BLOCK -- SB1097
<b>4</b>	+ 90016205020	4	SCREW - 5X20	TORNILLO - 5X20
<b>5</b>	+ A130000880	1	CYLINDER	CYLINDER
<b>6</b>	+ V100000040	1	GASKET, CYLINDER	JUNTA, CILINDRO
<b>7</b>	+ P021014260	1	PISTON KIT	PISTON KIT
<b>8</b>	+ 10001110530	1	RING, PISTON	ANILLO, PISTÓN
<b>9</b>	+ V608000000	1	PIN, PISTON	PIN, PISTON
<b>10</b>	+ V580000010	2	RING, RETAINING - 8	RING, RETAINING - 8
<b>11</b>	+ V307000060	2	WASHER - 10	WASHER - 10
<b>12</b>	+ 10001212331	1	BEARING, NEEDLE	COJINETE, DE AGUJAS
<b>13</b>	+ A011000120	1	CRANKSHAFT ASY	CONJUNTO DE CIGÜEÑAL
<b>14</b>	+ P021002471	1	CRANKCASE KIT	KIT DE CÁRTER
<b>15</b>	+ 10021305530	1	SEAL, OIL	SELLO, ACEITE
<b>16</b>	+ 10021503930	4	PIN, DOWEL	CLAVIJA
<b>17</b>	+ 9403536201	1	BEARING, BALL - 6201	COJINETE DE BOLAS - 6201
<b>18</b>	+ 90081036202	1	BEARING, BALL - 6202	COJINETE DE BOLAS - 6202
<b>19</b>	+ V102000001	1	GASKET, CRANKCASE	JUNTA, CÁRTER
<b>20</b>	+ 10021300310	1	SEAL, OIL	SELLO, ACEITE
<b>21</b>	+ 90016205035	4	SCREW - 5X35	TORNILLO - 5X35

**Barrena Para Tierra**

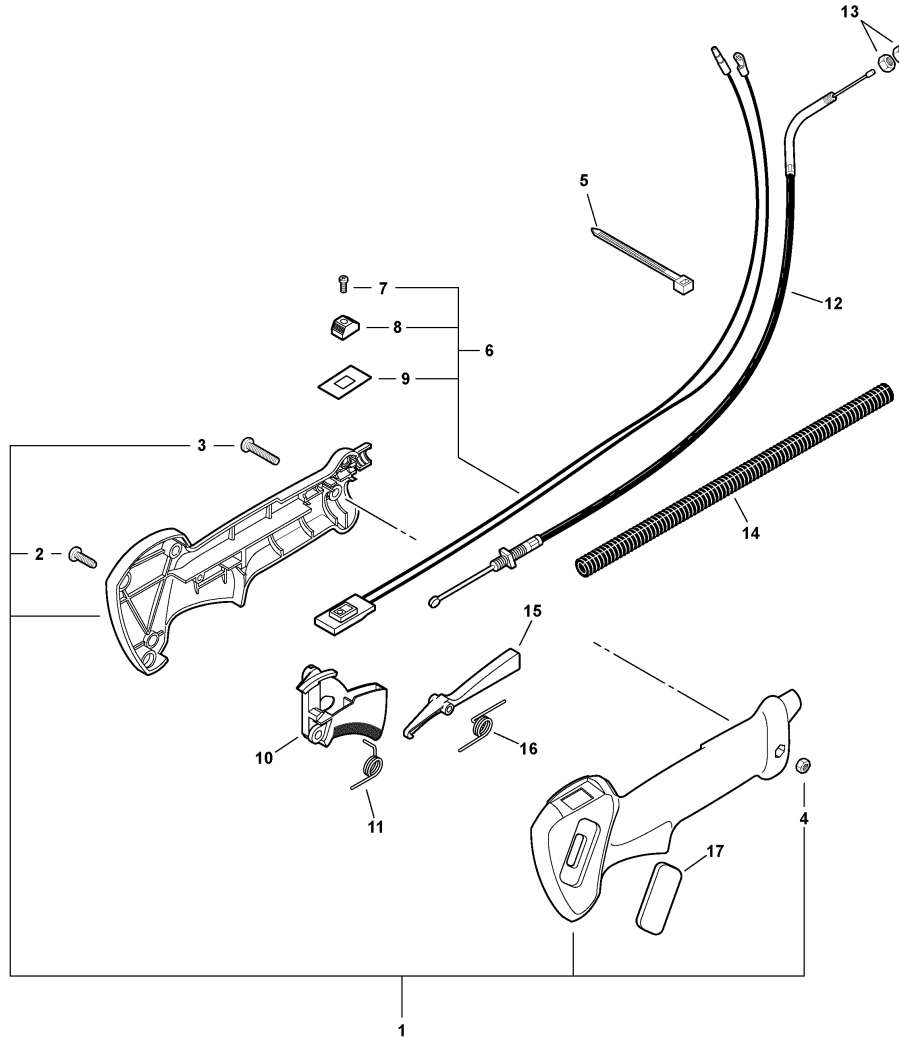
**Auger Bits**

**Puntas de barrenadora**



085 0001 000

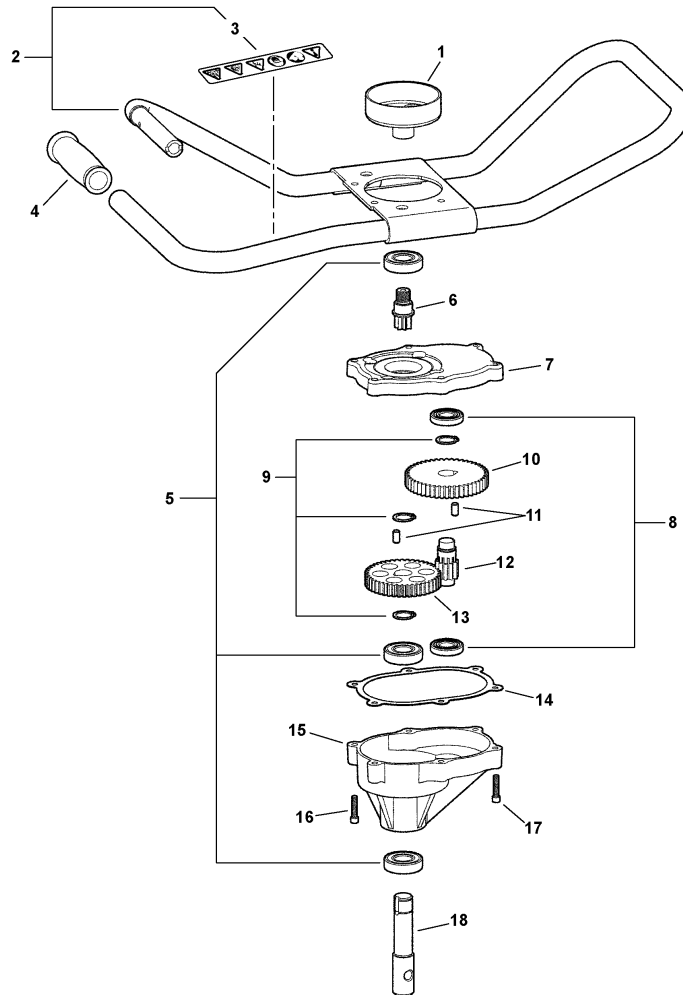
1	99944900150	1	EARTH AUGER W/POINT - 2"	BARRENADORA DE TIERRA C/PUNTA - 2"
1	99944900160	1	EARTH AUGER W/POINT - 3"	BARRENADORA DE TIERRA C/PUNTA - 3"
2	+ 9507121125	1	SCREW - 3/8 X 16 X 1-1/4"	TORNILLO - 3/8 X 16 X 1-1/4"
3	+ 99944900370	1	EARTH AUGER REPLACEMENT POINT	PUNTA DE REEMPLAZO DE BARRENADORA DE TIERRA
4	99944900170	1	EARTH AUGER W/POINT - 4"	BARRENADORA DE TIERRA C/PUNTA - 4"
5	+ 9507121125	1	SCREW - 3/8 X 16 X 1-1/4"	TORNILLO - 3/8 X 16 X 1-1/4"
6	99944900270	1	EARTH AUGER REPLACEMENT POINT	PUNTA DE REEMPLAZO DE BARRENADORA DE TIERRA
7	99944900180	1	EARTH AUGER W/POINT & SPRING- 6"	BARRENADORA DE TIERRA C/PUNTA Y RESORTE - 6"
7	99944900190	1	EARTH AUGER W/POINT & SPRING- 8"	BARRENADORA DE TIERRA C/PUNTA Y RESORTE - 8"
7	99944900200	1	EARTH AUGER W/POINT & SPRING-10"	BARRENADORA DE TIERRA C/PUNTA Y RESORTE -10"
8	+ V451000460	1	SPRING	RESORTE
9	+ -----	1	BOLT - 3/8-16 X 1-1/2"	PERNO - 3/8-16 X 1-1/2"
10	+ -----	1	LOCKNUT - 3/8-16	CONTRATUERCA - 3/8-16
11	+ 99944900270	1	EARTH AUGER REPLACEMENT POINT	PUNTA DE REEMPLAZO DE BARRENADORA DE TIERRA
12	-----	2	BOLT - 5/16-18 X 2"	PERNO - 5/16-18 X 2"
13	-----	2	WASHER - 5/16"	ARANDELA - 5/16"
14	-----	2	LOCKNUT - 5/16-18	CONTRATUERCA - 5/16-18
15	99944900230	1	EARTH AUGER BLADE KIT - 4"	KIT DE CUCHILLA DE BARRENADORA DE TIERRA - 4"
15	99944900240	1	EARTH AUGER BLADE KIT - 6"	KIT DE CUCHILLA DE BARRENADORA DE TIERRA - 6"
15	99944900250	1	EARTH AUGER BLADE KIT - 8"	KIT DE CUCHILLA DE BARRENADORA DE TIERRA - 8"
15	99944900260	1	EARTH AUGER BLADE KIT - 10"	KIT DE CUCHILLA DE BARRENADORA DE TIERRA - 10"
16	+ -----	2	BOLT - 1/4-28 X 5/8"	PERNO - 1/4-28 X 5/8"
17	+ -----	2	NUT - 1/4-28	TUERCA - 1/4-28
18	99944900280	1	ICE AUGER DUAL BLADE - 8"	CUCHILLA DOBLE DE BARRENADORA DE HIELO - 8"
18	99944900290	1	ICE AUGER DUAL BLADE - 10"	CUCHILLA DOBLE DE BARRENADORA DE HIELO - 10"
19	+ 9507121125	1	SCREW - 3/8 X 16 X 1-1/4"	TORNILLO - 3/8 X 16 X 1-1/4"
20	99944900300	1	ICE AUGER DUAL BLADE KIT - 8"	KIT DE CUCHILLA DOBLE DE BARRENADORA DE HIELO - 8"
20	99944900310	1	ICE AUGER DUAL BLADE KIT - 10"	KIT DE CUCHILLA DOBLE DE BARRENADORA DE HIELO - 10"
21	+ -----	4	SCREW - 5X16	TORNILLO - 5X16
22	+ -----	4	LOCKNUT - 5	CONTRATUERCA - 5
23	99944900275	1	ICE AUGER REPLACEMENT POINT KIT	KIT DE PUNTA DE REEMPLAZO DE BARRENADORA DE HIELO
24	99922203813	1	ICE AUGER COVER - 8"	CUBIERTA DE BARRENADORA DE HIELO - 8"
25	99922203814	1	ICE AUGER COVER - 10"	CUBIERTA DE BARRENADORA DE HIELO - 10"
26	99944900210	1	EXTENSION SHAFT - 18" (7/8" DIA)	EJE DE EXTENSION - 18" (DIÁMETRO DE 7/8")
27	+ -----	1	LOCKNUT - 3/8-16	CONTRATUERCA - 3/8-16
28	+ -----	1	BOLT - 3/8-16 X 1-1/2"	PERNO - 3/8-16 X 1-1/2"
29	99944900220	1	EXTENSION SHAFT - 12" (7/8" DIA)	EJE DE EXTENSION - 12" (DIÁMETRO DE 7/8")
30	+ -----	1	LOCKNUT - 3/8-16	CONTRATUERCA - 3/8-16
31	+ -----	1	BOLT - 3/8-16 X 1-1/2"	PERNO - 3/8-16 X 1-1/2"
32	99944900335	1	ADAPTOR W/SPRING - 7/8" TO 1"	ADAPTADOR C/RESORTE - 7/8" A 1"
33	+ -----	1	BOLT - 3/8-16 X 1-1/2"	PERNO - 3/8-16 X 1-1/2"
34	+ -----	1	LOCKNUT - 3/8-16	CONTRATUERCA - 3/8-16
35	+ V451000460	1	SPRING	RESORTE
36	+ -----	2	BOLT - 5/16-18 X 2"	PERNO - 5/16-18 X 2"
37	+ -----	2	WASHER - 5/16"	ARANDELA - 5/16"
38	-----	2	LOCKNUT - 5/16-18	CONTRATUERCA - 5/16-18
39	99944900330	1	ADAPTOR - 7/8" TO 1"	ADAPTADOR - 7/8" A 1"
40	+ 9507121125	1	SCREW - 3/8 X 16 X 1-1/4"	TORNILLO - 3/8 X 16 X 1-1/4"

**Barrena Para Tierra**
**Throttle Control, Ignition Switch, Throttle Cable**  
**Control del acelerador, interruptor del encendido, cable del acelerador**


030 0043 000

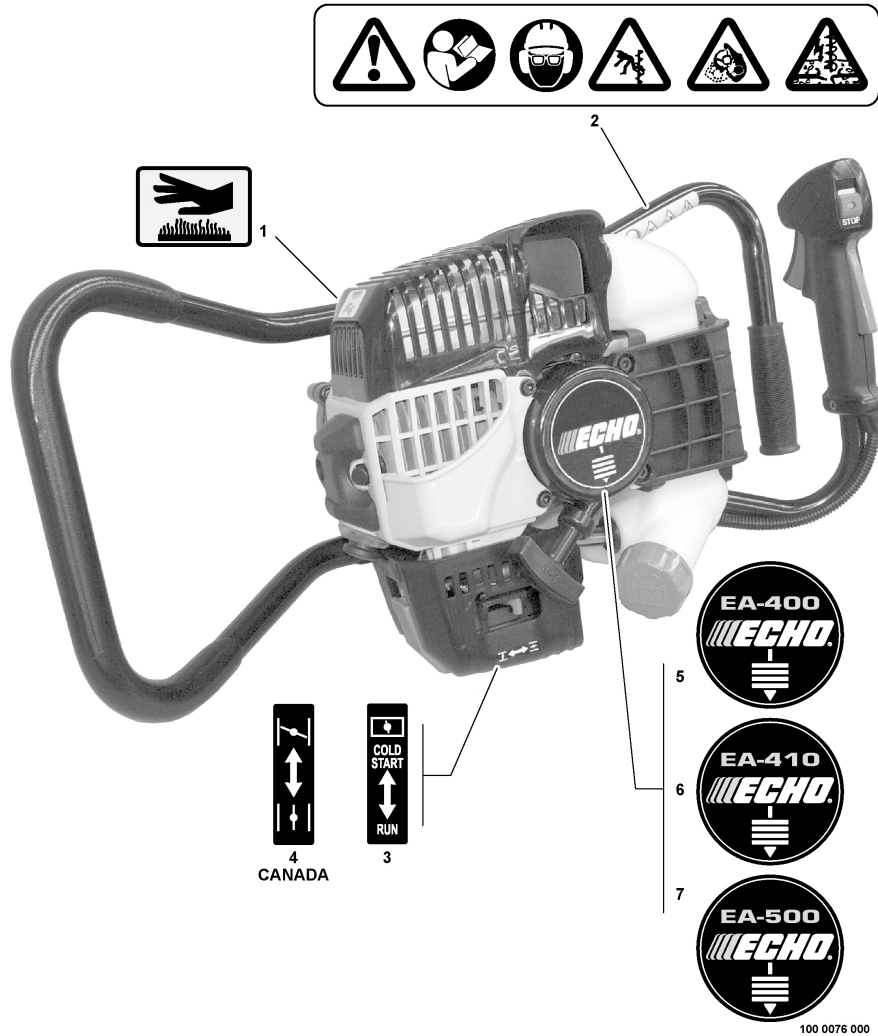
①	P021002612	1	HANDLE GRIP ASY	HANDLE GRIP ASY
2	+ 90025304016	3	SCREW - 4X16 -- TAPPING	TORNILLO - 4X16 -- AUTOROSCANTE
3	+ 90023505030	1	SCREW - 5X30	TORNILLO - 5X30
4	+ 90050000005	1	NUT - 5	TUERCA - 5
5	17812110050	1	TIE, CABLE	AMARRE, CABLE
6	A440000381	1	IGNITION SWITCH KIT	IGNITION SWITCH KIT
7	+ 9154503010	1	SCREW - 3X10	TORNILLO - 3X10
8	+ 16341049231	1	KNOB, SWITCH - ORANGE	PERILLA, INTERRUPTOR - NARANJA
9	+ 89015712330	1	COVER, SWITCH - STOP	CUBIERTA, INTERRUPTOR - PARADA
10	C450000022	1	TRIGGER, THROTTLE	TRIGGER, THROTTLE
11	V452000060	1	SPRING, TRIGGER	SPRING, TRIGGER
12	V430000490	1	CABLE, THROTTLE	CABLE, THROTTLE
13	90050200006	2	NUT - 6	TUERCA - 6
14	V475003060	1	TUBE, PROTECTIVE - CORRUGATED	TUBE, PROTECTIVE - CORRUGATED
15	C460000011	1	LOCKOUT, THROTTLE	LOCKOUT, THROTTLE
16	V452000050	1	SPRING, THROTTLE LOCK	SPRING, THROTTLE LOCK
17	V162000130	1	PLUG	TAPÓN





086 0002 000

①	A556000490	1	DRUM, CLUTCH	DRUM, CLUTCH
2	C080000001	1	HANDLE BAR ASY	HANDLE BAR ASY
3	+ X505000920	1	LABEL - CAUTION	ETIQUETA - PRECAUCIÓN
4	C403000050	1	GRIP, HANDLE	GRIP, HANDLE
5	V713000000	3	BEARING, BALL	BEARING, BALL
6	C534000142	1	GEAR, SHAFT - 7 TOOTH	GEAR, SHAFT - 7 TOOTH
7	C531000150	1	CASE, GEAR - UPPER	CASE, GEAR - UPPER
8	V712000000	2	BEARING, BALL	BEARING, BALL
9	V582000000	3	RING, RETAINING	ANILLO, RETÉN
10	V650000090	1	GEAR, SPUR - 48 TOOTH	GEAR, SPUR - 48 TOOTH
11	V624000020	2	DOWEL PIN - 0.25x0.50 in	DOWEL PIN - 0.25x0.50 in
12	C534000150	1	GEAR, SHAFT - 10 TOOTH	GEAR, SHAFT - 10 TOOTH
13	V650000100	1	GEAR, SPUR - 44 TOOTH	GEAR, SPUR - 44 TOOTH
14	V110000020	1	GASKET, GEAR CASE	GASKET, GEAR CASE
15	C531000160	1	CASE, GEAR - LOWER	CASE, GEAR - LOWER
16	9507017200	4	BOLT - 1/4-20 X 2"	PERNO - 1/4-20 X 2"
17	9507017150	2	BOLT - 1/4-20 X 1-1/2"	PERNO - 1/4-20 X 1-1/2"
18	C504000120	1	DRIVESHAFT	DRIVESHAFT



100 0076 000

1	X505002310	1	LABEL - CAUTION -- HOT	LABEL - CAUTION -- HOT
2	X505000920	1	LABEL - CAUTION	ETIQUETA - PRECAUCIÓN
3	89033252730	1	LABEL - CHOKE <sup>(1)</sup>	ETIQUETA - AHOGADOR <sup>(1)</sup>
4	89012152730	1	LABEL - CHOKE	ETIQUETA - AHOGADOR
5	X502002890	1	LABEL - MODEL -- EA-400	LABEL - MODEL -- EA-400
6	X547001460	1	LABEL - MODEL -- EA-410	LABEL - MODEL -- EA-410
7	X503005420	1	LABEL - MODEL -- EA-500	LABEL - MODEL -- EA-500

(FOOTNOTE) 1 - CANADA MODELS

(NOTA DEL PIE) 1 - MODELOS DE CANADÁ



**Barrena Para Tierra**

**Gasket Kit -- P021003370**  
**Kit de juntas -- P021003370**

<b>Use Gasket Kit</b>	<b>Contains:</b>	<b>Service Number</b>	<b>Description</b>
P021003370		V100000040	GASKET, CYLINDER
		V102000001	GASKET, CRANKCASE
		V103000070	GASKET, INTAKE
		V103000080	GASKET, INTAKE
		V104000240	SHIELD, EXHAUST
		14586642031	GASKET, EXHAUST

300 0029 000

<b>1</b>	<b>P021003371</b>	<b>1</b>	<b>GASKET KIT</b>	<b>GASKET KIT</b>
----------	-------------------	----------	-------------------	-------------------

## PART NUMBER INDEX - ÍNDICE DEL NÚMERO DE PARTE

*Click The Page Number After Any Part Number To View The Diagram Containing That Part*  
*Chasque la página después de cualquier número de parte para ver el diagrama que contiene esa parte*

Part Number	Page	Part Number	Page	Part Number	Page
-----	4, 6, 14	99922203814	.....14	P003000660	.....6
-----	6, 10, 12, 14	99944900150	.....14	P003001130	.....6
10001110530	.....12	99944900160	.....14	P003001490	.....6
10001212331	.....12	99944900170	.....14	P003001500	.....6
10021300310	.....12	99944900180	.....14	P021002471	.....12
10021305530	.....12	99944900190	.....14	P021002481	.....10
10021503930	.....12	99944900200	.....14	P021002612	.....15
12311440630	.....6	99944900210	.....14	P021003371	.....18
12313440030	.....6	99944900220	.....14	P021005911	.....11
12313905560	.....6	99944900230	.....14	P021009590	.....4
12314444330	.....6	99944900240	.....14	P021012110	.....4
12314954230	.....6	99944900250	.....14	P021014260	.....12
12317245130	.....6	99944900260	.....14	P022002080	.....9
12317307930	.....6	99944900270	.....14	P022002100	.....9
12318139130	.....4	99944900275	.....14	SB1097	.....12
13100455530	.....9	99944900280	.....14	V100000040	.....12
13101655830	.....9	99944900290	.....14	V102000001	.....12
13105156030	.....9	99944900300	.....14	V103000070	.....4
13120519831	.....9	99944900310	.....14	V103000080	.....4
13201053630	.....9	99944900330	.....14	V104000241	.....7
13201202960	.....9	99944900335	.....14	V110000020	.....16
13201239331	.....4	99944900370	.....14	V141000020	.....11
13201326630	.....9	A011000120	.....12	V150000550	.....7
13211555930	.....9	A014000000	.....12	V162000130	.....15
14586240630	.....7	A021001171	.....6	V186000080	.....9
14586642031	.....7	A051000190	.....9	V253000100	.....4
15611404920	.....11	A052000011	.....9	V307000060	.....12
15901010230	.....11	A128000060	.....4	V346000000	.....10
15901010630	.....11	A130000880	.....12	V353000020	.....3
15902537530	.....12	A160000241	.....3	V354000100	.....3
16201055630	.....11	A161000080	.....3	V430000490	.....15
16341049231	.....15	A162000020	.....3	V451000460	.....14
17504903920	.....10	A172000230	.....10	V451000480	.....10
17721840630	.....9	A200000060	.....4	V452000050	.....15
17722006310	.....9	A226000360	.....4	V452000060	.....15
17722606310	.....9	A232000390	.....4	V471001560	.....4
17722742030	.....9	A239000050	.....4	V475001610	.....11
17722827030	.....9	A244000010	.....4	V475003060	.....15
17723440630	.....9	A259000000	.....6	V580000010	.....12
17723606910	.....9	A300000231	.....7	V582000000	.....16
17812110050	.....15	A313000290	.....7	V608000000	.....12
43721520760	.....9	A313000300	.....7	V624000020	.....16
89012152730	.....17	A320000111	.....3	V650000090	.....16
89015712330	.....15	A350000131	.....9	V650000100	.....16
89033252730	.....17	A356000030	.....9	V712000000	.....16
90010505055	.....4	A390000000	.....9	V713000000	.....16
90010506060	.....7	A390000010	.....9	X502002890	.....17
90010605012	.....3, 9	A393000030	.....9	X503005420	.....17
90010605020	.....3, 9	A393000050	.....9	X505000920	.....16, 17
90010605025	.....3, 4, 9	A411000050	.....11	X505002310	.....17
90016205012	.....7	A426000000	.....11	X547001460	.....17
90016205020	.....10, 11, 12	A427000000	.....11		
90016205035	.....12	A440000381	.....15		
90023505030	.....15	A551000041	.....10		
90024204010	.....7	A553000030	.....10		
90025304016	.....15	A556000490	.....16		
90032303014	.....11	A557000000	.....10		
90050000005	.....15	C080000001	.....16		
90050200006	.....15	C403000050	.....16		
90050200008	.....9	C450000022	.....15		
90051900010	.....11	C460000011	.....15		
90081036202	.....12	C504000120	.....16		
9154503010	.....15	C531000150	.....16		
9403536201	.....12	C531000160	.....16		
9507017150	.....16	C534000142	.....16		
9507017200	.....16	C534000150	.....16		
9507121125	.....14	P003000180	.....6		
99922203813	.....14	P003000650	.....6		