



Accessories for ECHO products can be found at:

Los accesorios para los productos ECHO se pueden encontrar en:

[www.echo-usa.com/products/catalogs](http://www.echo-usa.com/products/catalogs)

#### OPTIONAL ACCESSORIES &

##### ATTACHMENTS:

|                      |             |
|----------------------|-------------|
| Chain Saw Carry Bag  | 103942147   |
| Small Chain Saw Case | 99988801213 |
| 12-20" Scabbard      | 99988801595 |
| ToughChest-20 Case   | 99988801210 |
| Chain Sharpening Kit |             |
| for chain 91PX45CQ   | 99988800720 |
| for chain 90PX45CQ   | 99988800721 |

##### SAFETY EQUIPMENT

|                       |             |
|-----------------------|-------------|
| Hearing Protection    | 99988801520 |
| Helmet System         | 99988801500 |
| Chaps - 36" Apron     | 99988801300 |
| Chaps - 40" Apron     | 99988801301 |
| Chaps - 36" Full Wrap | 99988801302 |
| Chaps - 40" Full Wrap | 99988801303 |

##### ACCESORIOS OPCIONALES

|                            |             |
|----------------------------|-------------|
| Bolso de transporte        | 103942147   |
| Caso Saw pequeña cadena    | 99988801213 |
| Funda 30-50.8cm            | 99988801595 |
| ToughChest-20 estuche      | 99988801210 |
| Kit de afilado para cadena |             |
| para la cadena 91PX45CQ    | 99988800720 |
| para la cadena 90PX45CQ    | 99988800721 |

##### EQUIPO DE SEGURIDAD

|                            |             |
|----------------------------|-------------|
| Protección de los oídos    | 99988801520 |
| Casco de seguridad         | 99988801500 |
| Chaparreras - Mandil 91cm  | 99988801300 |
| Chaparreras - Mandil 102cm | 99988801301 |
| Chaparreras 91cm           | 99988801302 |
| Chaparreras 102cm          | 99988801303 |

## PARTS CATALOG LISTA DE PIEZAS

# CS-271T Chain Saw

CS-271T Motosierra



26.9 cc

SERIAL NUMBER  
NÚMERO DE SERIE

C67115001001 - C67115999999

## ECHO, INCORPORATED

400 Oakwood Road, Lake Zurich, Illinois 60047

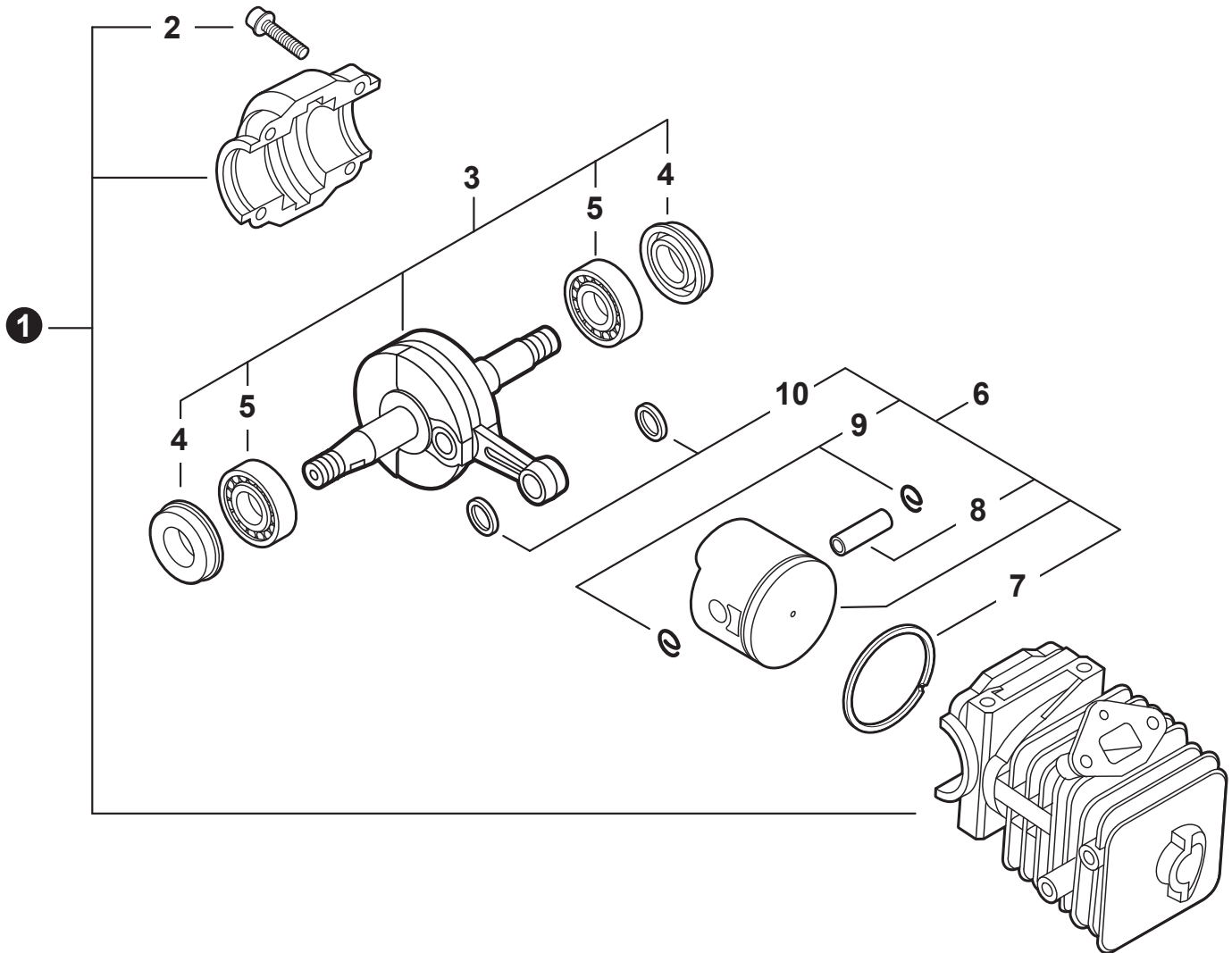
[WWW.ECHO-USA.COM](http://WWW.ECHO-USA.COM)

©2020 ECHO, Incorporated. All Rights Reserved

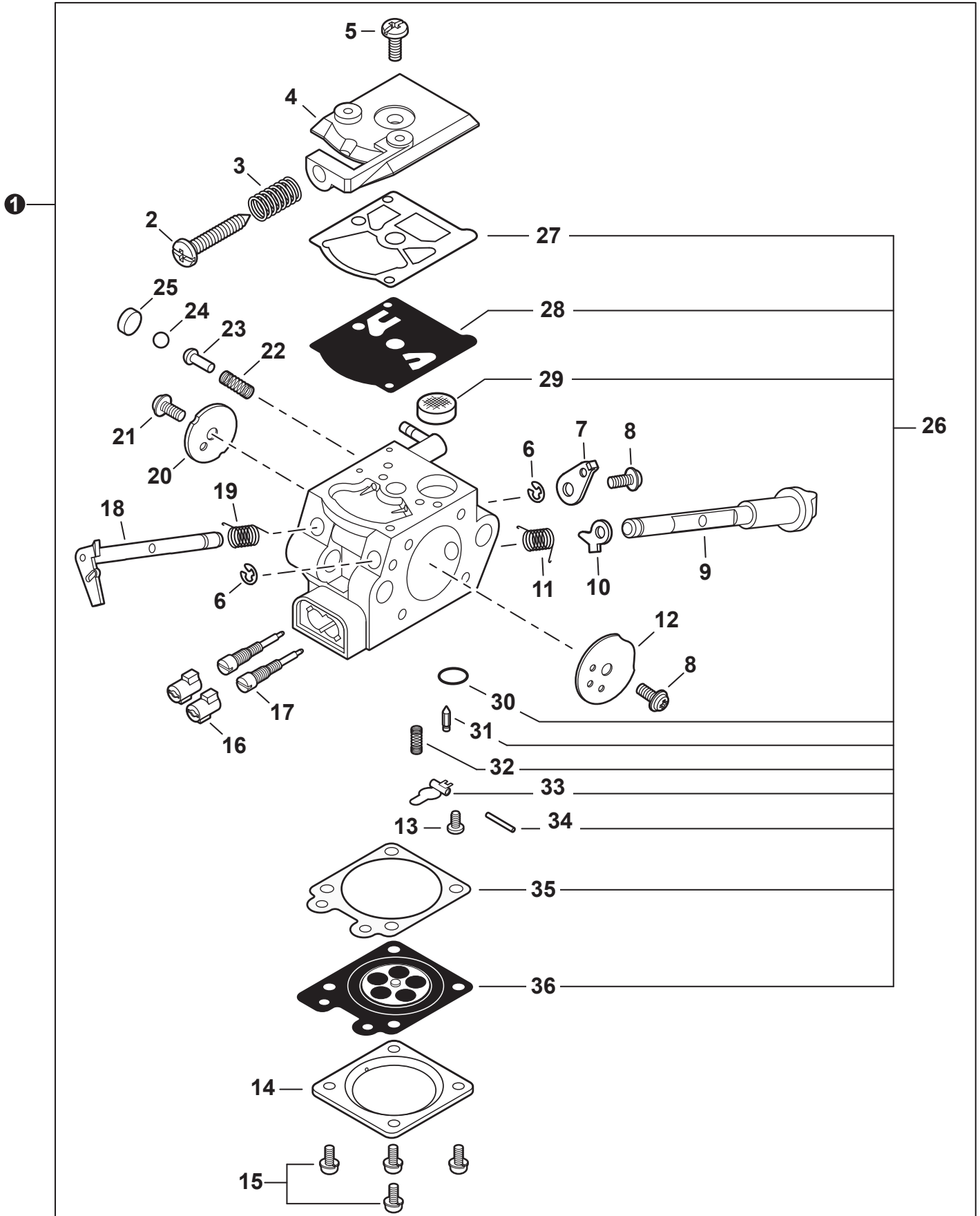
P/N 99922205077  
REVISED 09/21/20

---

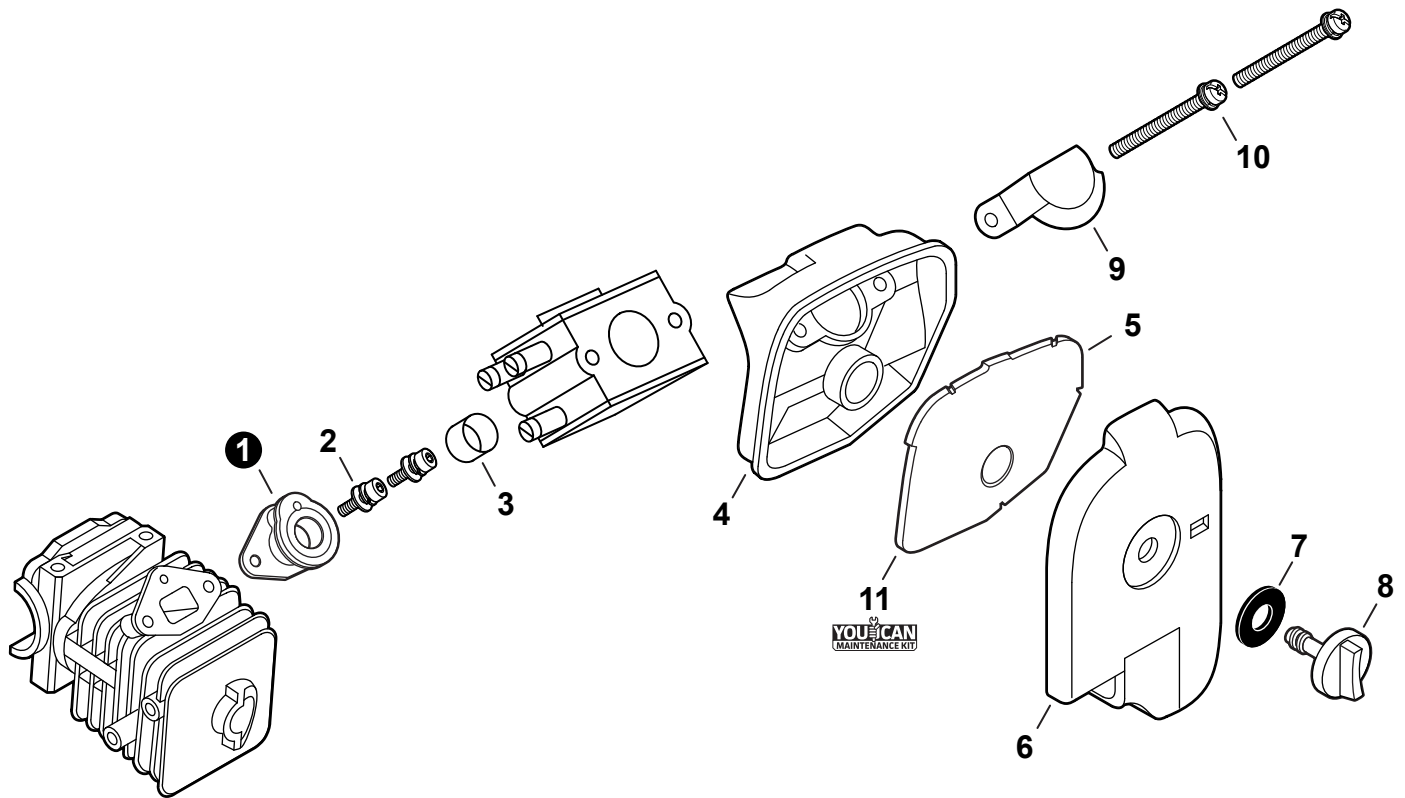
|  |           |
|--|-----------|
| <b>Engine</b> .....                    | <b>3</b>  |
| Motor                                  |           |
| <b>Carburetor</b> .....                | <b>4</b>  |
| Carburador                             |           |
| <b>Carburetor</b> .....                | <b>5</b>  |
| Carburador                             |           |
| <b>Intake</b> .....                    | <b>6</b>  |
| Admisión                               |           |
| <b>Exhaust</b> .....                   | <b>7</b>  |
| Escape                                 |           |
| <b>Ignition</b> .....                  | <b>8</b>  |
| Encendido                              |           |
| <b>Recoil Starter</b> .....            | <b>9</b>  |
| Arrancador Autorretráctil              |           |
| <b>Fuel System</b> .....               | <b>10</b> |
| Sistema de combustible                 |           |
| <b>Oil System</b> .....                | <b>11</b> |
| Sistema de aceite                      |           |
| <b>Engine Cover</b> .....              | <b>12</b> |
| Cubierta del motor                     |           |
| <b>Chain Brake</b> .....               | <b>13</b> |
| Freno de cadena                        |           |
| <b>Handles, Throttle Control</b> ..... | <b>14</b> |
| Mangos, Control del Acelerador         |           |
| <b>Handles, Throttle Control</b> ..... | <b>15</b> |
| Mangos, Control del Acelerador         |           |
| <b>Clutch</b> .....                    | <b>16</b> |
| Embrague                               |           |
| <b>Labels</b> .....                    | <b>17</b> |
| Etiquetas                              |           |
| <b>Chain, Guide Bar</b> .....          | <b>18</b> |
| Cadena, Guía de barra                  |           |
| <b>Tools</b> .....                     | <b>19</b> |
| Herramientas                           |           |
| <b>Maintenance Kits</b> .....          | <b>19</b> |
| Juegos de mantenimiento                |           |
| <b>Bulk Pipe</b> .....                 | <b>19</b> |
| Tubo al por mayor                      |           |
| <b>Bulk Starter Rope</b> .....         | <b>19</b> |
| Cuerda del arrancador al por mayor     |           |



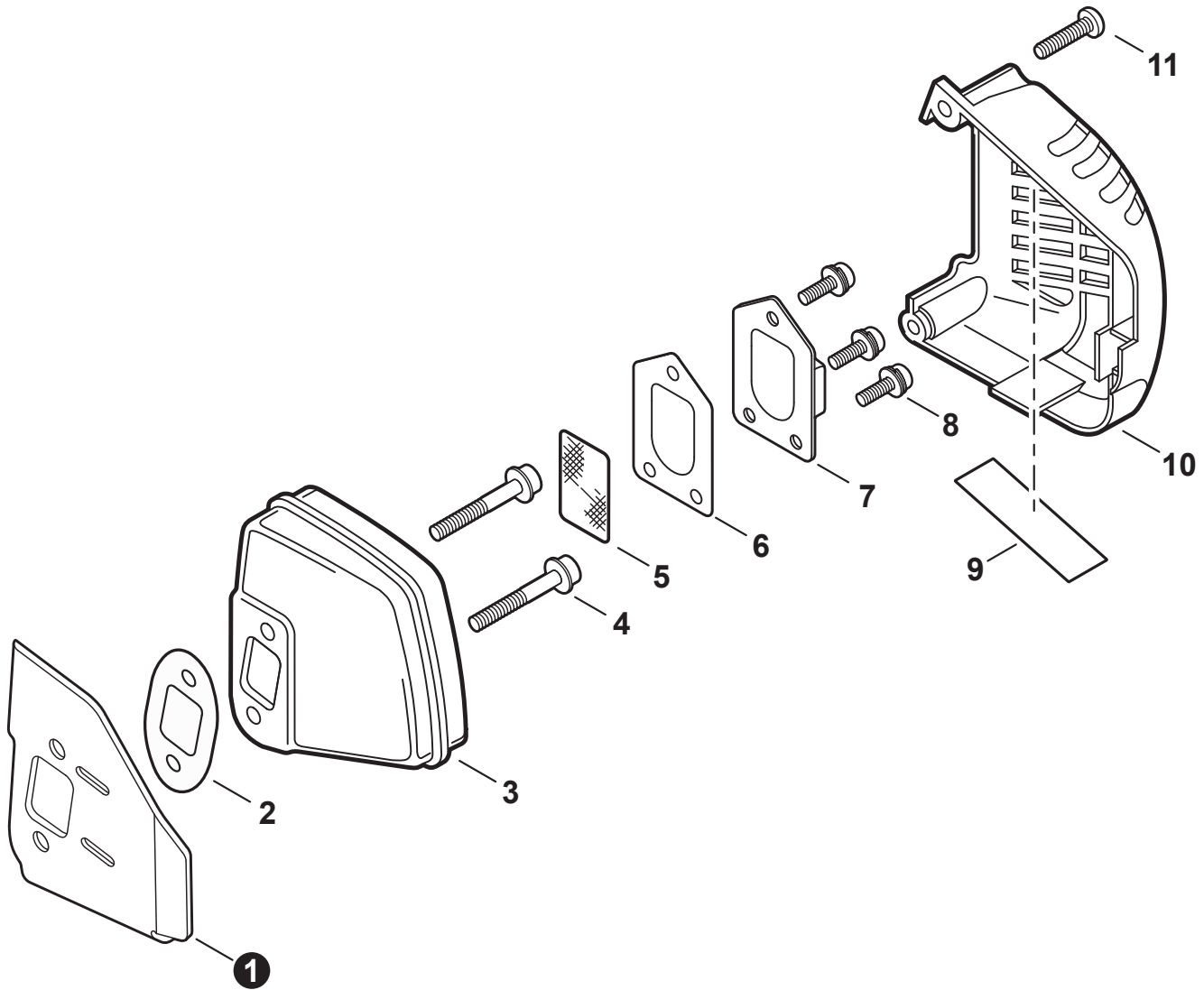
| NO. | PART NUMBER | QTY. | DESCRIPTION         | DESCRIPCIÓN               |
|-----|-------------|------|---------------------|---------------------------|
| 1   | P021044050  | 1    | CYLINDER KIT        | JUEGO DE CILINDRO         |
| 2   | 90016205022 | 4    | +BOLT 5×22          | +PERNO 5×22               |
| 3   | P021038072  | 1    | CRANKSHAFT ASSY     | MONTAJE DE CIGÜEÑAL       |
| 4   | V505000001  | 2    | +SEAL, OIL          | +SELLO DE ACEITE          |
| 5   | 90080036001 | 2    | +BEARING, BALL 6001 | +COJINETE DE BALINES 6001 |
| 6   | P021044060  | 1    | PISTON KIT          | JUEGO DE PISTÓN           |
| 7   | A101000630  | 1    | +RING, PISTON       | +ANILLO DEL PISTÓN        |
| 8   | 10001322330 | 1    | +PIN, PISTON        | +PASADOR DEL PISTÓN       |
| 9   | 10001504630 | 2    | +RING, SNAP         | +ANILLO RETENEDOR         |
| 10  | 10001411520 | 2    | +WASHER, THRUST     | +ARANDELA DE EMPUJE       |



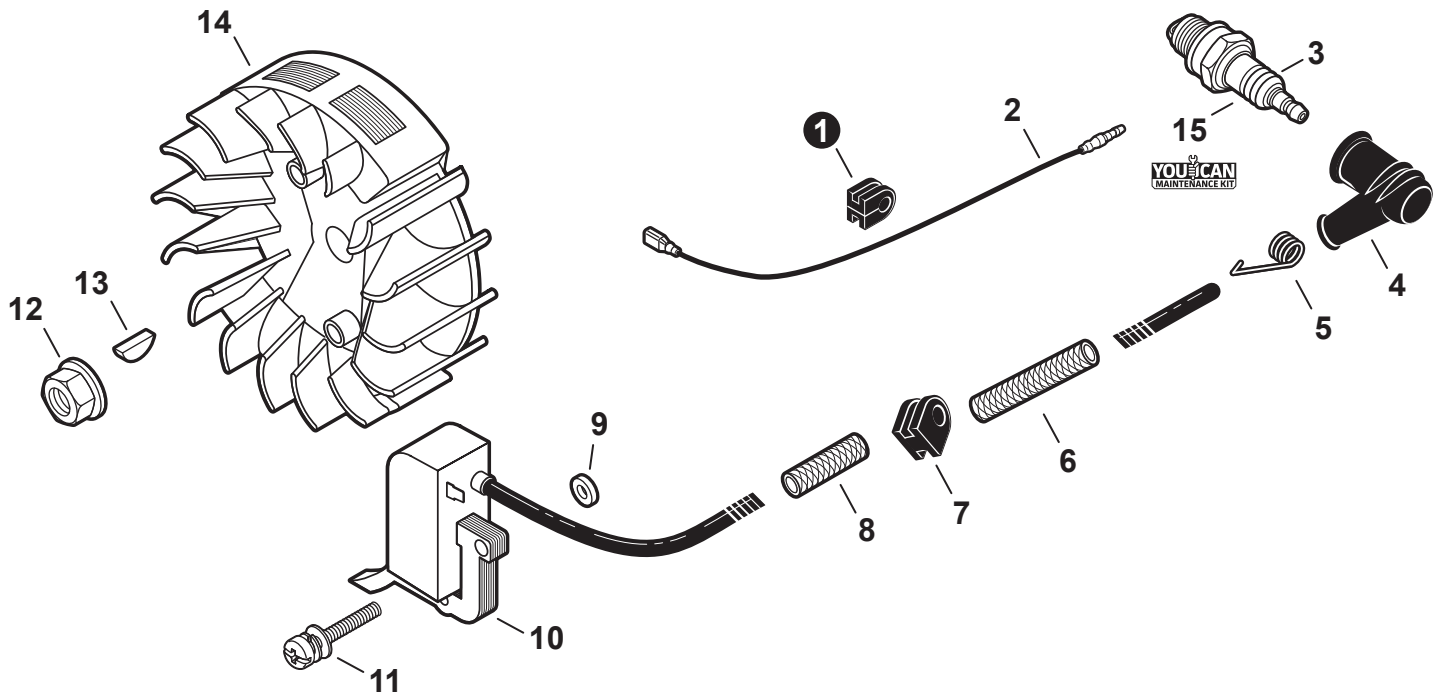
| NO. | PART NUMBER | QTY. | DESCRIPTION                    | DESCRIPCIÓN                                |
|-----|-------------|------|--------------------------------|--|
| 1   | A021004141  | 1    | CARBURETOR WT-1072             | CARBURADOR WT-1072                         |
| 2   | 12313404260 | 1    | +SCREW, IDLE ADJUST            | +TORNILLO PARA AJUSTAR EL RALENTI          |
| 3   | 12313304260 | 1    | +SPRING, IDLE ADJUST           | +RESORTE PARA AJUSTAR EL RALENTÍ           |
| 4   | 12312424430 | 1    | +COVER, FUEL PUMP              | +CUBIERTA DE LA BOMBA DE COMBUSTIBLE       |
| 5   | 12311003930 | 1    | +SCREW                         | +TORNILLO                                  |
| 6   | 12312715030 | 2    | +E-RING                        | +RETENEDOR TIPO "E"                        |
| 7   | P003000380  | 1    | +LEVER, THROTTLE               | +PALANCA DE ACELERADOR                     |
| 8   | 12311438830 | 2    | +SCREW                         | +TORNILLO                                  |
| 9   | P003004790  | 1    | +SHAFT ASSY, CHOKE             | +MONTAJE DE EJE DEL ESTRANGULADOR          |
| 10  | P003001510  | 1    | +LEVER, FAST IDLE              | +PALANCA DE RALENTÍ RÁPIDO                 |
| 11  | P003004780  | 1    | +SPRING                        | +RESORTE                                   |
| 12  | P003000410  | 1    | +VALVE, CHOKE                  | +VÁLVULA ESTRANGULADOR                     |
| 13  | 12313903930 | 1    | +SCREW, METERING LEVER PIN     | +TORNILLO PASADOR DE PALANCA DE MEDICIÓN   |
| 14  | 12314203930 | 1    | +COVER, METERING DIAPHRAGM     | +TAPA DE DIAFRAGMA DE MEDICIÓN             |
| 15  | 12313002960 | 4    | +SCREW                         | +TORNILLO                                  |
| 16  | P003000010  | 2    | +CAP, LIMITER                  | +PROTECTOR DE TORNILLO                     |
| 17  | P003004820  | 2    | +NEEDLE, MIXTURE               | +AGUJA DE REGULACION                       |
| 18  | P003005240  | 1    | +SHAFT ASSY, THROTTLE          | +MONTAJE DE EJE ACELERADOR                 |
| 19  | 12311337530 | 1    | +SPRING, THROTTLE RETURN       | +RESORTE DEL ACELERADOR                    |
| 20  | 12311605960 | 1    | +VALVE, THROTTLE               | +VÁLVULA DEL ACELERADOR                    |
| 21  | P003002380  | 1    | +SCREW                         | +TORNILLO                                  |
| 22  | 12318609660 | 1    | +SPRING, START VALVE           | +RESORTE                                   |
| 23  | 12318509660 | 1    | +PISTON ASSY                   | +MONTAJE DE PISTÓN                         |
| 24  | 12313609660 | 1    | +BALL                          | +BOLA                                      |
| 25  | P003005090  | 1    | +PLUG                          | +TAPÓN                                     |
| 26  | P033000020  | 1    | <b>+REPAIR KIT, CARBURETOR</b> | <b>+JUEGO DE REPARACIÓN DE CARBURADOR</b>  |
| 27  |             | 1    | ++GASKET, FUEL PUMP            | ++EMPAQUETADURA DE LA BOMBA DE COMBUSTIBLE |
| 28  |             | 1    | ++DIAPHRAGM, PUMP              | ++DIAFRAGMA DE LA BOMBA                    |
| 29  |             | 1    | ++SCREEN, FUEL INLET           | ++MALLA FILTRADORA                         |
| 30  |             | 1    | ++PLUG, WELCH                  | ++TAPÓN WELCH                              |
| 31  |             | 1    | ++VALVE, INLET NEEDLE          | ++VÁLVULA REGULADORA                       |
| 32  |             | 1    | ++SPRING, METERING LEVER       | ++RESORTE PALANCA DE MEDICIÓN              |
| 33  |             | 1    | ++LEVER, METERING              | ++PALANCA DE MEDICIÓN                      |
| 34  |             | 1    | ++PIN, METERING LEVER          | ++PASADOR DE PALANCA DE MEDICIÓN           |
| 35  |             | 1    | ++GASKET, METERING DIAPHRAGM   | ++EMPAQUETADURA DIAFRAGMA DE MEDICIÓN      |
| 36  |             | 1    | ++DIAPHRAGM, METERING          | ++DIAFRAGMA DE MEDICIÓN                    |



| NO. | PART NUMBER   | QTY. | DESCRIPTION                  | DESCRIPCIÓN                              |
|-----|---------------|------|------------------------------|--|
| 1   | A202000001    | 1    | BELLOWS, INTAKE              | FUELLE DE ADMISIÓN                       |
| 2   | 90016204012   | 2    | BOLT 4×12                    | PERNO 4×12                               |
| 3   | V358000021    | 1    | COLLAR 14                    | COLLAR 14                                |
| 4   | A225000025    | 1    | CASE, AIR FILTER             | CAJA DEL FILTRO DE AIRE                  |
| 5   | A226000051    | 1    | FILTER, AIR                  | FILTRO DE AIRE                           |
| 6   | A232000061    | 1    | COVER, AIR FILTER            | CUBIERTA DEL FILTRO DE AIRE              |
| 7   | 13192502310   | 1    | CUSHION                      | AMORTIGUADOR                             |
| 8   | A235000040    | 1    | THUMBSCREW                   | TORNILLO DE OREJETAS                     |
| 9   | A244000000    | 1    | PLATE, PREVENT               | PLACA DE PREVENCIÓN                      |
| 10  | 90023805050   | 2    | SCREW 5×50                   | TORNILLO 5×50                            |
| 11  | <b>90178Y</b> | 1    | <b>TUNE-UP KIT - YOUCAN™</b> | <b>JUEGO DE PUESTA A PUNTO - YOUCAN™</b> |

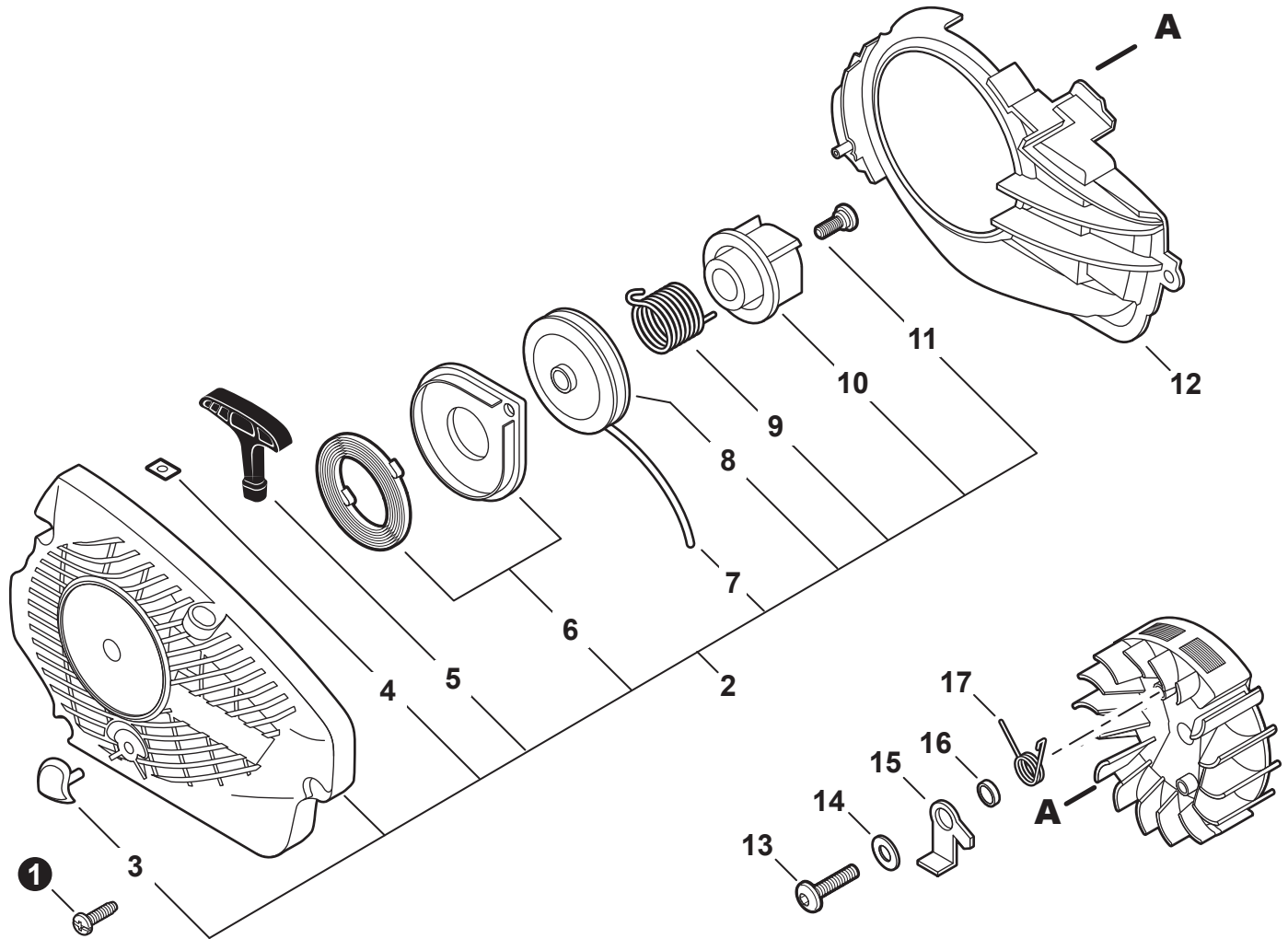


| NO. | PART NUMBER | QTY. | DESCRIPTION            | DESCRIPCIÓN                  |
|-----|-------------|------|------------------------|------------------------------|
| 1   | A312000060  | 1    | HEAT SHIELD, EXHAUST   | PROTECTOR TÉRMICO DEL ESCAPE |
| 2   | V104001860  | 1    | GASKET, EXHAUST        | EMPAQUETADURA DE ESCAPE      |
| 3   | A300001642  | 1    | MUFFLER                | SILENCIADOR                  |
| 4   | 9110705045  | 2    | BOLT, FLANGE HSH 5x45  | PERNO DE BRIDA 5x45          |
| 5   | A310000420  | 1    | SCREEN, SPARK ARRESTER | SUPRESOR DE CHISPAS          |
| 6   | V104001850  | 1    | GASKET, EXHAUST        | EMPAQUETADURA DE ESCAPE      |
| 7   | A313001970  | 1    | GUIDE, EXHAUST         | GUÍA DE ESCAPE               |
| 8   | 90024204008 | 3    | SCREW 4x8              | TORNILLO 4x8                 |
| 9   | V341000180  | 1    | SHIELD, HEAT           | PROTECTOR TÉRMICO            |
| 10  | A320001030  | 1    | COVER, MUFFLER         | CUBIERTA DEL SILENCIADOR     |
| 11  | 90025304016 | 2    | SCREW 4x16             | TORNILLO 4x16                |

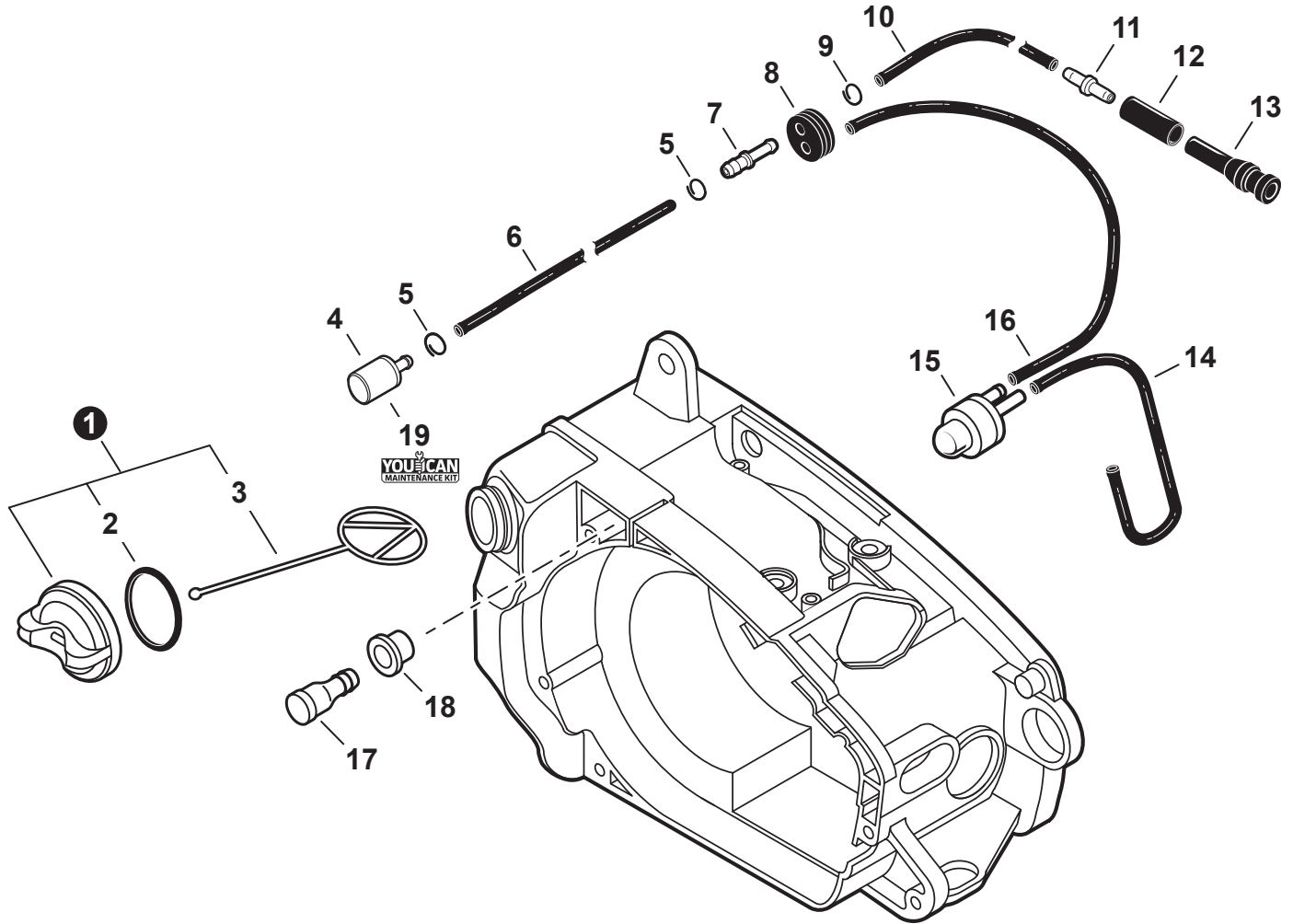


| NO. | PART NUMBER | QTY. | DESCRIPTION              | DESCRIPCIÓN                       |
|-----|-------------|------|--------------------------|-----------------------------------|
| 1   | 15611407320 | 1    | GROMMET                  | OJAL                              |
| 2   | V485000140  | 1    | LEAD - IGNITION          | CABLE DE ENCENDIDO                |
| 3   | A425000000  | 1    | SPARK PLUG - BPMR8Y      | BUJÍA - BPMR8Y                    |
| 4   | A427000013  | 1    | CAP, SPARK PLUG          | TAPA DE BUJÍA                     |
| 5   | A426000010  | 1    | TERMINAL, SPARK PLUG     | TERMINAL DE BUJÍA                 |
| 6   | V475003550  | 1    | TUBE, INSULATOR 7×8.6×50 | TUBO AISLANTE 7×8.6×50            |
| 7   | 15611004920 | 1    | GROMMET                  | OJAL                              |
| 8   | V475001900  | 1    | TUBE, INSULATOR 7×8.6×30 | TUBO AISLANTE 7×8.6×30            |
| 9   | 15011716430 | 2    | WASHER 5.2×12×3          | ARANDELA 5.2×12×3                 |
| 10  | A411001511  | 1    | COIL, IGNITION           | BOBINA DE ENCENDIDO               |
| 11  | 90023805018 | 2    | SCREW 5×18               | TORNILLOS 5×18                    |
| 12  | 90051500008 | 1    | NUT, FLANGE M8           | TUERCA-BRIDA M8                   |
| 13  | 10014212330 | 1    | KEY, WOODRUFF            | CHAVETA WOODRUFF                  |
| 14  | A409001130  | 1    | FLYWHEEL                 | VOLANTE                           |
| 15  | 90178Y      | 1    | TUNE-UP KIT - YOUCAN™    | JUEGO DE PUESTA A PUNTO - YOUCAN™ |

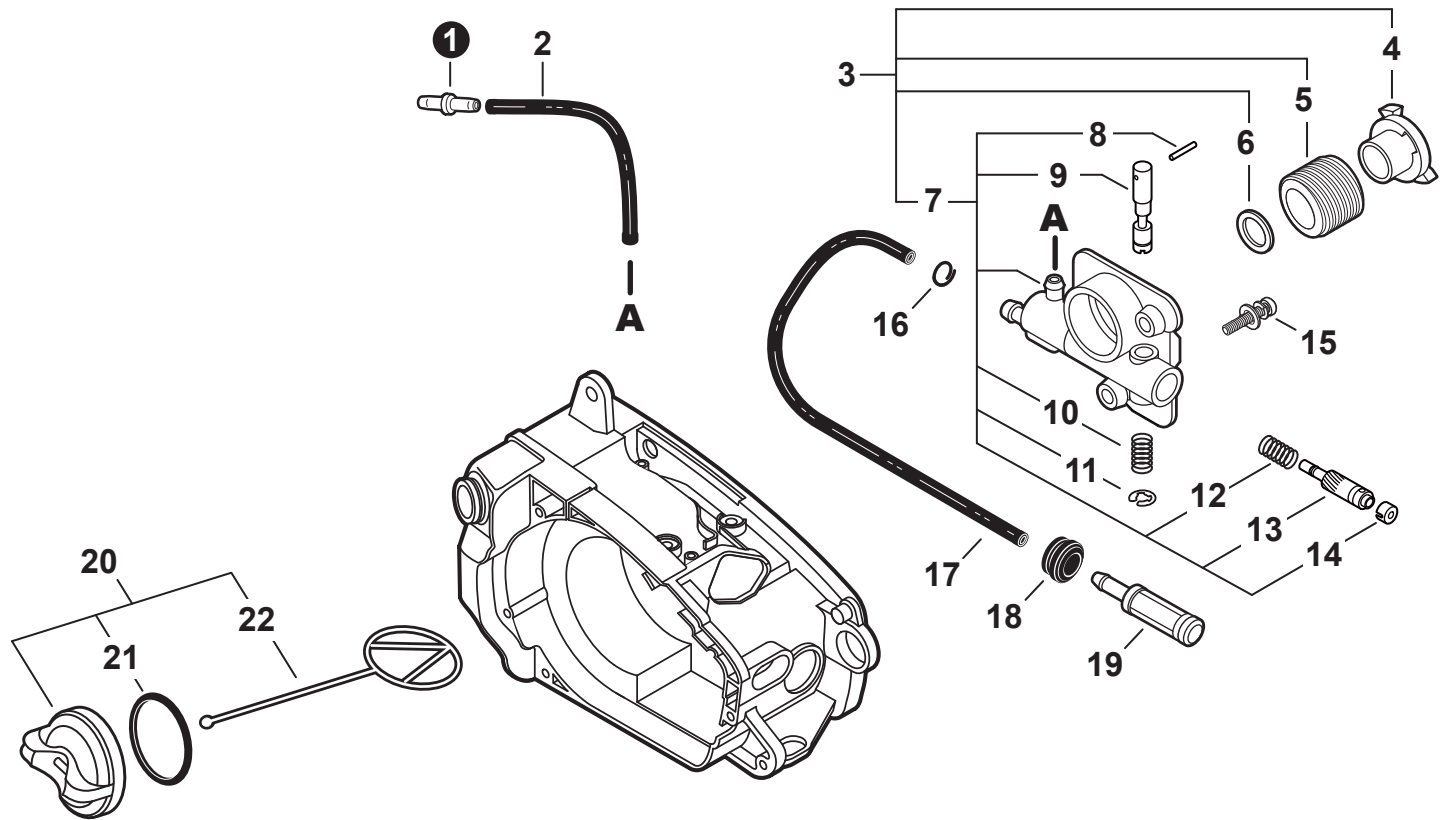




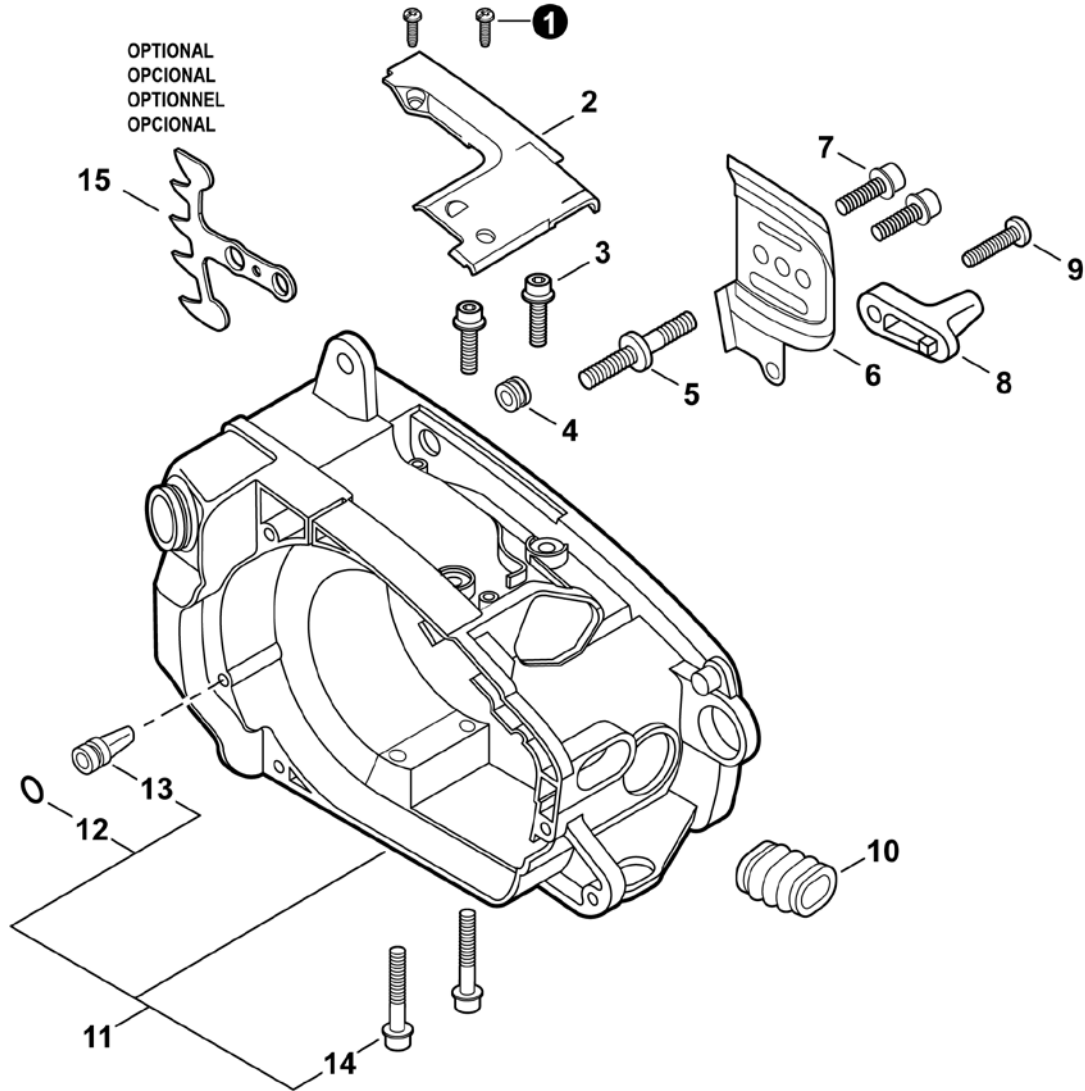
| NO. | PART NUMBER | QTY. | DESCRIPTION          | DESCRIPCIÓN                          |
|-----|-------------|------|----------------------|--------------------------------------|
| 1   | 90025604016 | 3    | SCREW 4x16           | TORNILLO 4x16                        |
| 2   | A051002540  | 1    | STARTER ASSY, RECOIL | MONTAJE DE ARRANCADOR AUTORRETRÁCTIL |
| 3   | V162000150  | 1    | +PLUG                | +TAPÓN                               |
| 4   | P022037670  | 1    | +RETAINER, ROPE      | +RETENEDOR DE CUERDA                 |
| 5   | P022001320  | 1    | +GRIP, STARTER       | +AGARRE DEL ARRANCADOR               |
| 6   | P022001330  | 1    | +SPRING KIT, RECOIL  | +MONTAJE DE RESORTE RECULAR          |
| 7   | P022006220  | 1    | +ROPE, STARTER       | +CUERDA DEL ARRANCADOR               |
| 8   | A506000460  | 1    | +REEL, ROPE          | +CARRETE DEL CABLE                   |
| 9   | V452001320  | 1    | +SPRING, TORSION     | +RESORTE DE TORSIÓN                  |
| 10  | A507000110  | 1    | +PAWL CATCHER        | +RECEPTOR DE TRINQUETE               |
| 11  | 17723661830 | 1    | +SCREW               | +TORNILLO                            |
| 12  | A172002040  | 1    | COVER, FAN           | CUBIERTA DE VENTILADOR               |
| 13  | V203000080  | 2    | BOLT 5x14            | PERNO 5x14                           |
| 14  | 90060300005 | 2    | WASHER 5.5x12x0.8    | ARANDELA 5.5x12x0.8                  |
| 15  | A514000020  | 2    | PAWL                 | TRINQUETE                            |
| 16  | 17724704630 | 2    | SPACER 5.2x8x2.1     | ESPACIADOR 5.2x8x2.1                 |
| 17  | V452000030  | 2    | SPRING, TORSION      | RESORTE DE TORSIÓN                   |



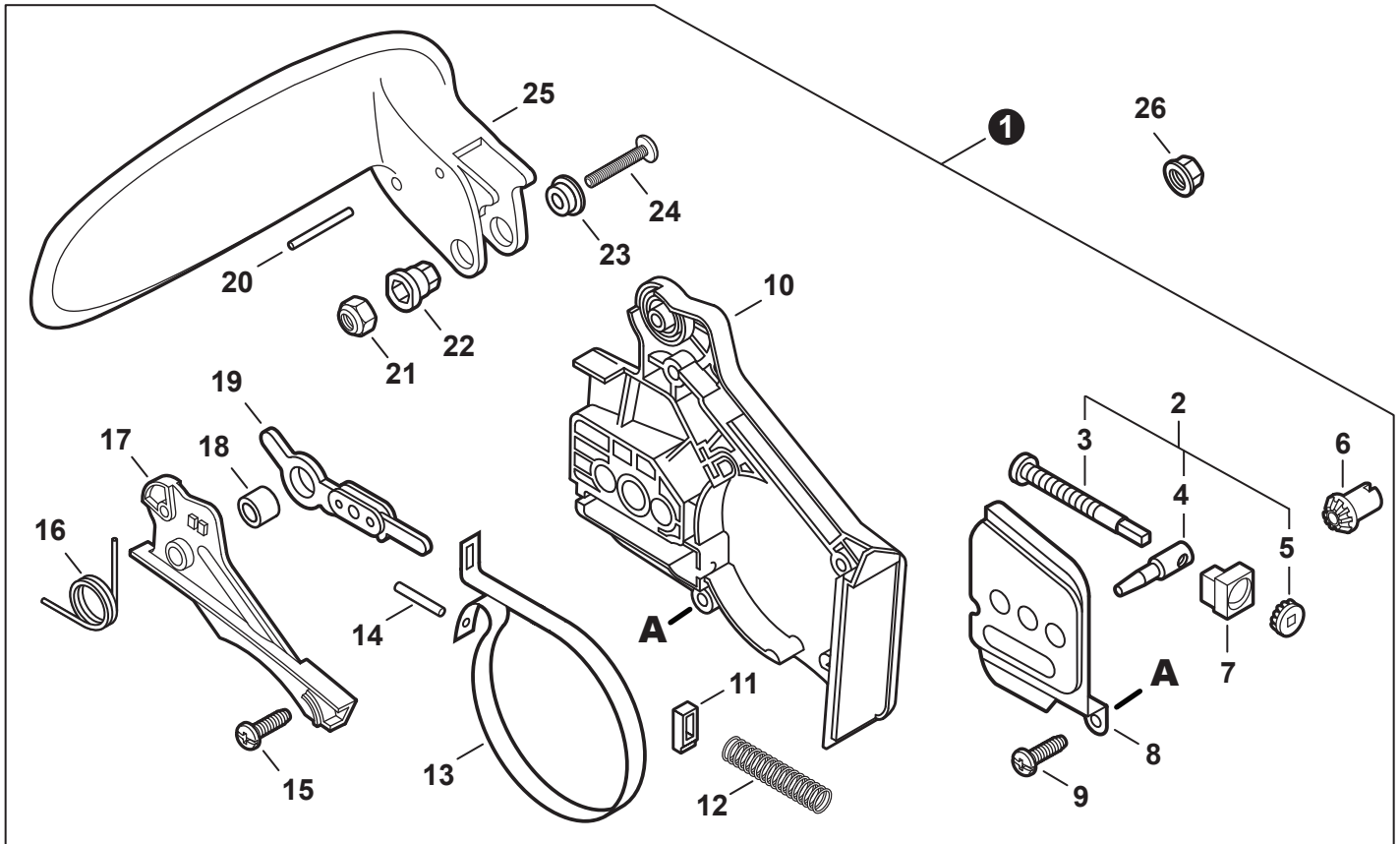
| NO. | PART NUMBER | QTY. | DESCRIPTION              | DESCRIPCIÓN                              |
|-----|-------------|------|--------------------------|--|
| 1   | P021038080  | 1    | CAP ASSY, FUEL - ORANGE  | MONTAJE DE TAPA DE COMBUSTIBLE - NARANJA |
| 2   | V581000590  | 1    | +O-RING                  | +JUNTA TÓRICA                            |
| 3   | A365000050  | 1    | +CONNECTOR, CAP L= 60 MM | +CONECTOR DE TAPA L= 60 MM               |
| 4   | A369000470  | 1    | FILTER, FUEL             | FILTRO DE COMBUSTIBLE                    |
| 5   | V490001240  | 2    | CLIP Ø6                  | SUJETADOR Ø6                             |
| 6   | V471003810  | 1    | PIPE 3×5×75              | TUBO 3×5×75                              |
| 7   | V186000520  | 1    | CONNECTOR, PIPE Ø5×Ø3.5  | CONECTOR DE TUBO Ø5×Ø3.5                 |
| 8   | 13211544331 | 1    | GROMMET, FUEL            | OJAL DE COMBUSTIBLE                      |
| 9   | V490001271  | 1    | CLIP 5                   | SUJETADOR 5                              |
| 10  | V471003801  | 1    | PIPE 3×5×145             | TUBO 3×5×145                             |
| 11  | V186000510  | 1    | CONNECTOR, PIPE          | CONECTOR DE TUBO                         |
| 12  | V475007370  | 1    | TUBE Ø6.5×8.5×18         | TUBO Ø6.5×8.5×18                         |
| 13  | V470001942  | 1    | PIPE, FUEL 10×6×32       | TUBO DE COMBUSTIBLE 10×6×32              |
| 14  | V471001261  | 1    | PIPE 2.4×5×153           | TUBO 2.4×5×153                           |
| 15  | 12318139130 | 1    | BULB, PURGE              | BULBO DE PURGA                           |
| 16  | V471001252  | 1    | PIPE 2.4×5×258           | TUBO 2.4×5×258                           |
| 17  | 13130056431 | 1    | VENT ASSY                | VÁLVULA DE RESPIRADERO                   |
| 18  | V137000001  | 1    | GROMMET, FUEL            | OJAL DE COMBUSTIBLE                      |
| 19  | 90178Y      | 1    | TUNE-UP KIT - YOUCAN™    | JUEGO DE PUESTA A PUNTO - YOUCAN™        |



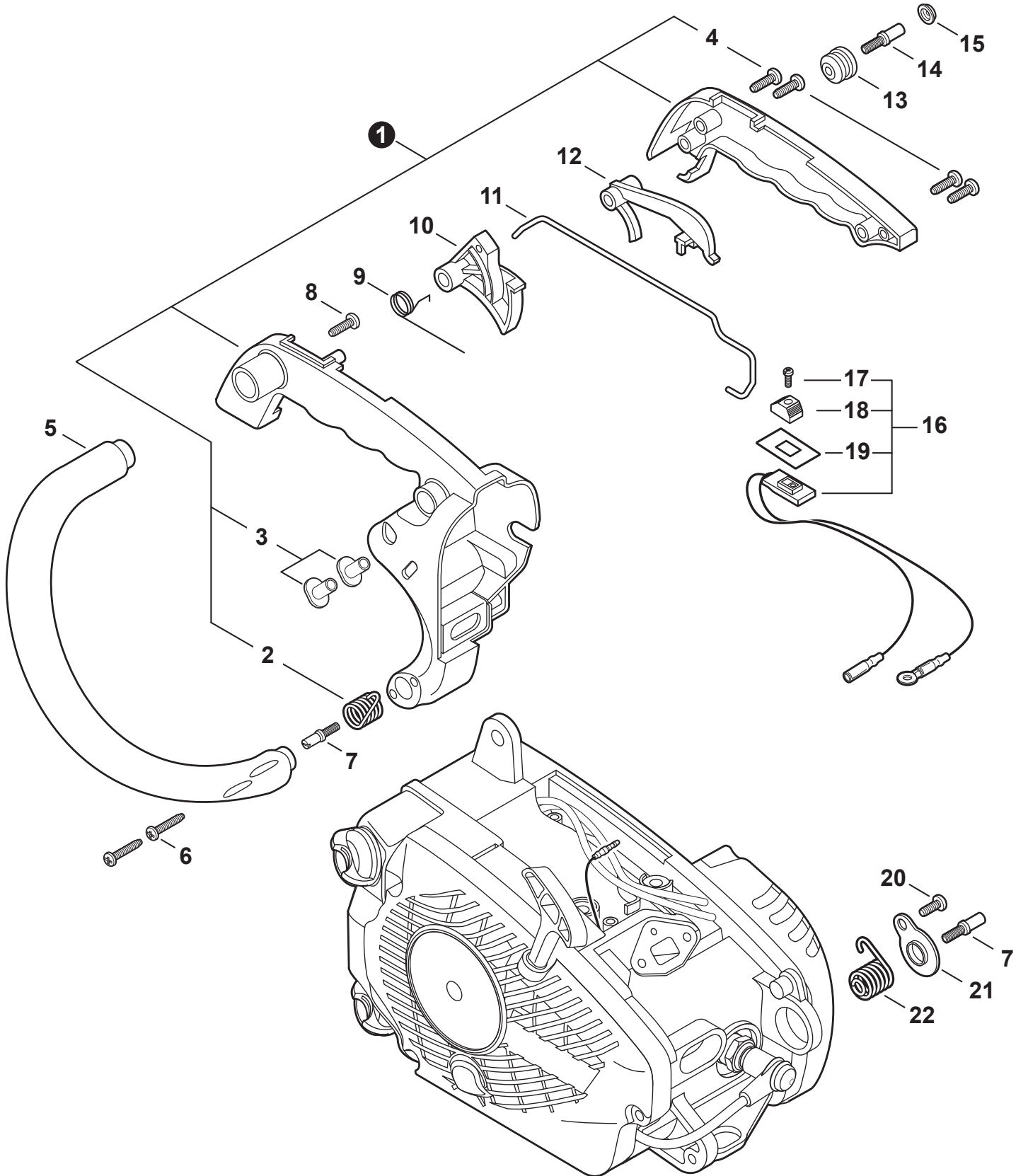
| NO. | PART NUMBER       | QTY. | DESCRIPTION              | DESCRIPCIÓN                             |
|-----|-------------------|------|--------------------------|---|
| 1   | V187000010        | 1    | CONNECTOR, PIPE          | CONECTOR DE TUBO                        |
| 2   | 13201211961       | 1    | PIPE, 3×6×45 BLACK       | TUBO 3×6×45 NEGRO                       |
| 3   | <b>P021010890</b> | 1    | <b>AUTO-OILER ASSY</b>   | <b>MONTAJE DE ENGRASADOR AUTOMÁTICO</b> |
| 4   | V356000290        | 1    | +COLLAR 10               | +COLLAR 10                              |
| 5   | V652000030        | 1    | +GEAR, WORM              | +ENGRANAJE DE TORNILLO SIN FIN          |
| 6   | V308000030        | 1    | +WASHER 10.5×17.4×1.8    | +ARANDELA 10.5×17.4×1.8                 |
| 7   | <b>C022000020</b> | 1    | <b>+AUTO-OILER</b>       | <b>+ENGRASADOR AUTOMÁTICO</b>           |
| 8   | P003002180        | 1    | ++PIN, SPRING            | ++PASADOR ELÁSTICO                      |
| 9   | P003001370        | 1    | ++ADJUSTER, OILER        | ++AJUSTADOR DE ENGRASADOR               |
| 10  | 43701537330       | 1    | ++SPRING                 | ++RESORTE                               |
| 11  | 12312715030       | 1    | ++E-RING                 | ++RETENEDOR TIPO "E"                    |
| 12  | 43701938330       | 1    | ++SPRING                 | ++RESORTE                               |
| 13  | 43702437330       | 1    | ++PLUNGER ASSY           | ++MONTAJE DE ÉMBOLO                     |
| 14  | 43706238330       | 1    | ++CAP, OIL PUMP          | ++TAPA DE BOMBA DE ACEITE               |
| 15  | 90023804012       | 2    | SCREW 4×12               | TORNILLO 4×12                           |
| 16  | V490001230        | 1    | CLIP Ø6.5 MM             | SUJETADOR Ø6.5 MM                       |
| 17  | 13201022131       | 1    | PIPE, FUEL 3×6×150       | TUBO DE COMBUSTIBLE 3×6×150             |
| 18  | 13211501462       | 1    | GROMMET                  | OJAL                                    |
| 19  | 43620502832       | 1    | FILTER, OIL              | FILTRO DE ACEITE                        |
| 20  | <b>P021005581</b> | 1    | <b>CAP ASSY - BLACK</b>  | <b>MONTAJE DE TAPA NEGRO</b>            |
| 21  | 90072000018       | 1    | +O-RING 18               | +JUNTA TÓRICA 18                        |
| 22  | A365000050        | 1    | +CONNECTOR, CAP L= 60 MM | +CONECTOR DE TAPA L= 60 MM              |



| NO. | PART NUMBER | QTY. | DESCRIPTION          | DESCRIPCIÓN            |
|-----|-------------|------|----------------------|------------------------|
| 1   | 90025304012 | 2    | SCREW 4×12           | TORNILLO 4×12          |
| 2   | A127000021  | 1    | COVER, DUST          | CUBIERTA ANTIPOLVO     |
| 3   | 90016205018 | 2    | BOLT 5×18            | PERNO 5×18             |
| 4   | 16391130130 | 1    | PLUG                 | TAPÓN                  |
| 5   | V225000031  | 1    | BOLT, STUD 8         | PERNO PRISIONERO 8     |
| 6   | C305000023  | 1    | PLATE, GUIDE - INNER | PLACA GUÍA - INTERNA   |
| 7   | V202000011  | 2    | BOLT 4×12            | PERNO 4×12             |
| 8   | 43302635430 | 1    | CHAIN CATCHER        | CAPTURADOR DE CADENA   |
| 9   | 90025305020 | 1    | SCREW, TAPPING 5×20  | TORNILLO ROSCADO 5×20  |
| 10  | A239000000  | 1    | BELLOWS, INTAKE      | FUELLE DE ADMISIÓN     |
| 11  | P021003439  | 1    | COVER, ENGINE        | CUBIERTA DE MOTOR      |
| 12  | 90072400004 | 1    | O-RING S-4           | JUNTA TÓRICA S-4       |
| 13  | 43611413930 | 1    | VENT ASSY            | VÁLVULA DE RESPIRADERO |
| 14  | 90010605025 | 2    | BOLT 5×25            | PERNO 5×25             |
| 15  | C304000070  | 1    | SPIKE, BUMPER        | PARAGOLPES CON PÚAS    |

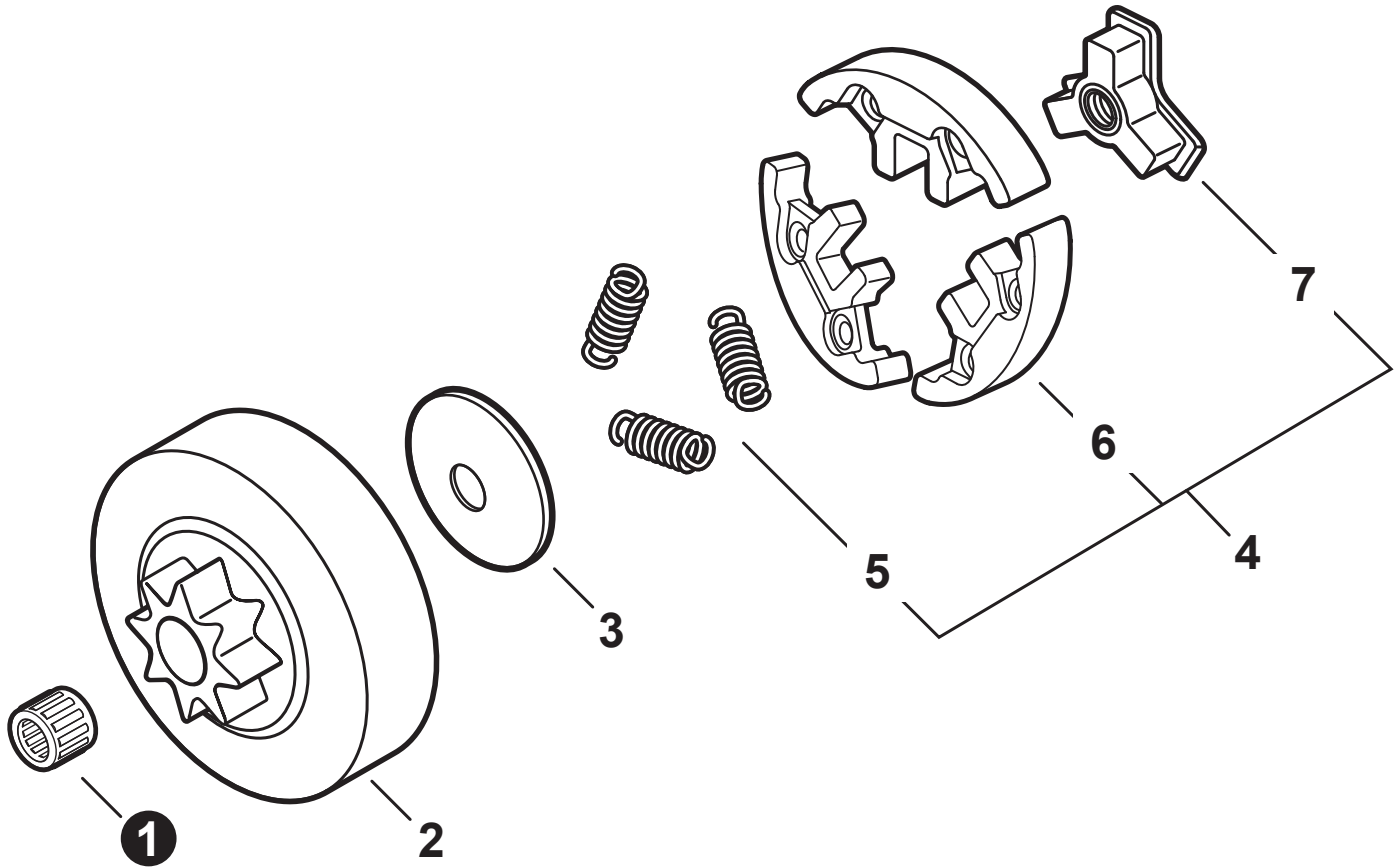


| NO. | PART NUMBER | QTY. | DESCRIPTION            | DESCRIPCIÓN                     |
|-----|-------------|------|------------------------|---------------------------------|
| 1   | P021048910  | 1    | BRAKE ASSY, CHAIN      | MONTAJE DE FRENO DE CADENA      |
| 2   | P021000063  | 1    | +TENSIONER SET, CHAIN  | +JUEGO DE TENSOR DE CADENA      |
| 3   | V203000021  | 1    | ++SCREW, CHAIN TENSION | ++TORNILLO DEL TENSOR DE CADENA |
| 4   | C309000030  | 1    | ++TENSIONER, CHAIN     | ++TENSOR DE CADENA              |
| 5   | V651000011  | 1    | ++GEAR, BEVEL          | ++ENGRANAJE CÓNICO              |
| 6   | V651000001  | 1    | +GEAR, BEVEL           | +ENGRANAJE CÓNICO               |
| 7   | V355000800  | 1    | +COLLAR 8              | +COLLAR 8                       |
| 8   | C305000031  | 1    | +PLATE, GUIDE - OUTER  | +PLACA GUÍA - EXTERNO           |
| 9   | 90025304012 | 1    | +SCREW 4×12            | +TORNILLO 4×12                  |
| 10  | C300000173  | 1    | +GUARD, SPROCKET       | +CUBIERTA DEL PIÑÓN             |
| 11  | V376000450  | 1    | +GUIDE                 | +GUÍA                           |
| 12  | V450000070  | 1    | +SPRING, COMPRESSION   | +RESORTE DE COMPRESIÓN          |
| 13  | C328000020  | 1    | +BAND, BRAKE           | +BANDA DE FRENO                 |
| 14  | 9305030098  | 1    | +PIN, SPRING 3×9.8     | +PASADOR ELÁSTICO 3×9.8         |
| 15  | 90025304012 | 2    | +SCREW 4×12            | +TORNILLO 4×12                  |
| 16  | V452000110  | 1    | +SPRING, TORSION       | +RESORTE DE TORSIÓN             |
| 17  | C345000114  | 1    | +COVER, BRAKE          | +CUBIERTA DE FRENO              |
| 18  | 43311635430 | 1    | +SPACER 8×12×9         | +ESPACIADOR 8×12×9              |
| 19  | C334000060  | 1    | +CONNECTOR, BRAKE      | +CONECTOR DE FRENO              |
| 20  | 90033030260 | 2    | +PIN 3×26              | +PASADOR 3×26                   |
| 21  | 90056250005 | 1    | +NUT, LOCK M5          | +CONTRATUERCA M5                |
| 22  | V353000060  | 1    | +COLLAR 5              | +COLLAR 5                       |
| 23  | 43316739130 | 1    | +COLLAR 5.3×10×13×L5   | +COLLAR 5.3×10×13×L5            |
| 24  | 9131805032  | 1    | +SCREW 5×32            | +TORNILLO 5×32                  |
| 25  | C320000034  | 1    | +BRAKE, CHAIN          | +FRENO DE CADENA                |
| 26  | V265000200  | 1    | NUT, FLANGE M8×1.25    | TUERCA-BRIDA M8×1.25            |





| NO.       | PART NUMBER       | QTY.     | DESCRIPTION             | DESCRIPCIÓN                             |
|-----------|-------------------|----------|-------------------------|---|
| <b>1</b>  | <b>P021001965</b> | <b>1</b> | <b>HANDLE SET, REAR</b> | <b>JUEGO DE MANGO TRASERO</b>           |
| 2         | V450000340        | 1        | +SPRING, COMPRESSION    | +RESORTE DE COMPRESIÓN                  |
| 3         | 13002033330       | 2        | +NUT                    | +TUERCA                                 |
| 4         | 90025604016       | 4        | +SCREW 4×16             | +TORNILLO 4×16                          |
| 5         | C400000050        | 1        | HANDLE, FRONT           | MANGO DELANTERO                         |
| 6         | 90025604016       | 2        | SCREW 4×16              | TORNILLO 4×16                           |
| 7         | V202000000        | 2        | BOLT 4×12               | PERNO 4×12                              |
| 8         | 90025305020       | 1        | SCREW, TAPPING 5×20     | TORNILLO ROSCADO 5×20                   |
| 9         | V452000010        | 1        | SPRING, TORSION         | RESORTE DE TORSIÓN                      |
| 10        | C450000010        | 1        | TRIGGER, THROTTLE       | GATILLO DEL ACELERADOR                  |
| 11        | C454000051        | 1        | ROD, THROTTLE           | VARILLA ACELERADOR                      |
| 12        | C460000002        | 1        | LOCKOUT, THROTTLE       | SEGURO DEL ACELERADOR                   |
| 13        | 10092139131       | 1        | CUSHION 4               | AMORTIGUADOR 4                          |
| 14        | V202000020        | 1        | BOLT 4×15               | PERNO 4×15                              |
| 15        | 10091815130       | 1        | CAP, CUSHION            | TAPA DE AMORTIGUADOR                    |
| <b>16</b> | <b>A440000211</b> | <b>1</b> | <b>SWITCH, ON-OFF</b>   | <b>INTERRUPTOR DE ENCENDIDO-APAGADO</b> |
| 17        | 90022003010       | 1        | +SCREW 3×10             | +TORNILLO 3×10                          |
| 18        | 16341049231       | 1        | +KNOB, SWITCH - ORANGE  | +BOTÓN DE INTERRUPTOR - NARANJA         |
| 19        | 89015712330       | 1        | +LABEL - SWITCH         | +ETIQUETA - INTERRUPTOR                 |
| 20        | 90025304012       | 1        | SCREW 4×12              | TORNILLO 4×12                           |
| 21        | V150003810        | 1        | PLATE, EYE              | PLACA                                   |
| 22        | V450000080        | 1        | SPRING, COMPRESSION     | RESORTE DE COMPRESIÓN                   |



| NO. | PART NUMBER       | QTY. | DESCRIPTION        | DESCRIPCIÓN                    |
|-----|-------------------|------|--------------------|--------------------------------|
| 1   | V555000170        | 1    | BEARING, NEEDLE 10 | COJINETE DE AGUJAS 10          |
| 2   | A556000092        | 1    | DRUM, CLUTCH       | TAMBOR DE EMBRAGUE             |
| 3   | A551000010        | 1    | PLATE, CLUTCH      | PLACA DE EMBRAGUE              |
| 4   | <b>A056000030</b> | 1    | <b>CLUTCH ASSY</b> | <b>MONTAJE DE EMBRAGUE</b>     |
| 5   | V451000150        | 3    | +SPRING, CLUTCH    | +RESORTE DEL EMBRAGUE          |
| 6   | P021001950        | 1    | +SHOE ASSY, CLUTCH | +MONTAJE DE ZAPATA DE EMBRAGUE |
| 7   | A552000020        | 1    | +HUB, CLUTCH       | +CUBO DEL EMBRAGUE             |





1

For use by tree service professionals only.  
Pour une utilisation par les professionnels d'entretien des arbres seulement.

2



3



7



6



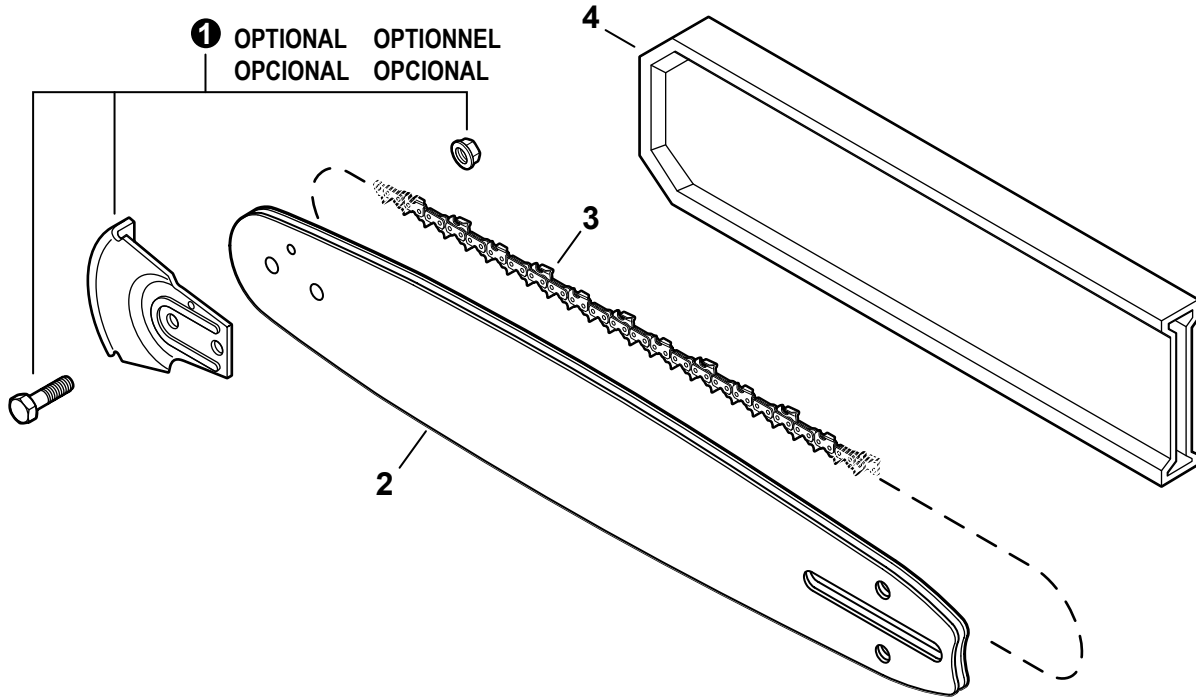
4



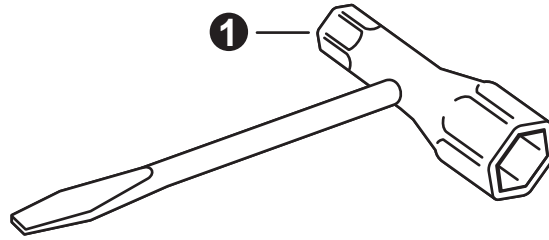
5

**WARNING**  
Chain brake must be unlocked before removing or installing clutch cover. Improper cover installation can result in serious injury and cause severe damage to saw.  
El freno de cadena debe ser desbloqueado antes de remover o de instalar la cubierta de embrague. La instalación incorrecta de la cubierta puede dar lugar a una lesión seria y causar daño a la sierra.  
Le frein de chaîne doit être désengagé avant d'enlever ou d'installer le couvercle d'embrayage. Un couvercle d'embrayage installé incorrectement peut avoir de conséquences grave menant à des blessures et/ou des dommages à la scie à chaîne.

| NO. | PART NUMBER | QTY. | DESCRIPTION                          | DESCRIPCIÓN                                      |
|-----|-------------|------|--------------------------------------|--|
| 1   | X505009340  | 1    | LABEL - CAUTION                      | ETIQUETA DE PRECAUCIÓN                           |
| 2   | X505009350  | 1    | LABEL - CAUTION - PROFESSIONALS ONLY | ETIQUETA DE PRECAUCIÓN - PROFESIONALES SOLAMENTE |
| 3   | X502000410  | 1    | LABEL - ECHO                         | ETIQUETA ECHO                                    |
| 4   | X502000340  | 1    | LABEL - ECHO                         | ETIQUETA ECHO                                    |
| 5   | X505009760  | 1    | LABEL - WARNING                      | ETIQUETA - ADVERTENCIA                           |
| 6   | X503010960  | 1    | LABEL - MODEL CS-271T                | ETIQUETA MODELO CS-271T                          |
| 7   | X505002310  | 1    | LABEL - CAUTION - HOT                | ETIQUETA DE PRECAUCIÓN CALIENTE                  |



| NO. | PART NUMBER | QTY. | DESCRIPTION                   | DESCRIPCIÓN                        |
|-----|-------------|------|-------------------------------|------------------------------------|
| 1   | 2894902     | 1    | KICK GUARD™ KIT               | KICK GUARD™ KIT                    |
| 2   | 12A4CD3745C | 1    | GUIDE BAR, 12" MICRO-LITE PRO | BARRA DE GUÍA 30 CM MICRO-LITE PRO |
| 2   | 12A0CD3745C | 1    | GUIDE BAR, 12" DOUBLE-GUARD   | BARRA DE GUÍA 30 CM DOUBLE-GUARD   |
| 3   | 90PX45CQ    | 1    | SAW CHAIN 12" - MICRO-LITE    | CADENA 30 CM - MICRO-LITE          |
| 3   | 91PX45CQ    | 1    | SAW CHAIN 12"                 | CADENA 30 CM                       |
| 4   | X490000050  | 1    | SCABBARD 12"                  | FUNDA 30 CM                        |



| NO. | PART NUMBER | QTY. | DESCRIPTION           | DESCRIPCIÓN             |
|-----|-------------|------|-----------------------|-------------------------|
| 1   | X602000080  | 1    | T-WRENCH 13×19 L= 180 | LLAVE EN T 13×19 L= 180 |

### Maintenance Kits

Juegos de mantenimiento

| NO. | PART NUMBER | QTY. | DESCRIPTION           | DESCRIPCIÓN                       |
|-----|-------------|------|-----------------------|-----------------------------------|
| 1   | 90178Y      | 1    | TUNE-UP KIT - YOUCAN™ | JUEGO DE PUESTA A PUNTO - YOUCAN™ |
| 2   | A226000051  | 1    | +FILTER, AIR          | +FILTRO DE AIRE                   |
| 3   | A369000470  | 1    | +FILTER, FUEL         | +FILTRO DE COMBUSTIBLE            |
| 4   | A425000000  | 1    | +SPARK PLUG - BPMR8Y  | +BUJÍA - BPMR8Y                   |

### Bulk Pipe

Tubo al por mayor

| NO. | PART NUMBER | QTY. | DESCRIPTION                             | DESCRIPCIÓN  |
|-----|-------------|------|---|--|
| 1   | 90014       | 1    | BULK PIPE - 3×5 MM BLACK (4 PIECES×2 M) | TUBO AL POR MAYOR 3×5 MM NEGRO (4 PIEZAS×2 M)        |
| 2   | 90015       | 1    | BULK PIPE - 3×6 MM BLACK (4 PIECES×2 M) | TUBO AL POR MAYOR 3×6 MM NEGRO (4 PIEZAS×2 M)        |
| 3   | 90016       | 1    | BULK PIPE - 3×7 MM BLACK (4 PIECES×2 M) | TUBO AL POR MAYOR 3×7 MM NEGRO (4 PIEZAS×2 M)        |
| 4   | 90017       | 1    | BULK PIPE - 3×6 MM CLEAR (4 PIECES×2 M) | TUBO AL POR MAYOR 3×6 MM TRANSPARENTE (4 PIEZAS×2 M) |
| 5   | 90018       | 1    | BULK PIPE - 2×4 MM CLEAR (4 PIECES×2 M) | TUBO AL POR MAYOR 2×4 MM TRANSPARENTE (4 PIEZAS×2 M) |

### Bulk Starter Rope

Cuerda del arrancador al por mayor

| NO. | PART NUMBER | QTY. | DESCRIPTION                       | DESCRIPCIÓN                                      |
|-----|-------------|------|-----------------------------------|--|
| 1   | 99944435000 | 1    | BULK STARTER ROPE - Ø 2.3 MM×61 M | CUERDA DEL ARRANCADOR AL POR MAYOR Ø 2.3 MM×61 M |
| 2   | 99944440000 | 1    | BULK STARTER ROPE - Ø 3.0 MM×61 M | CUERDA DEL ARRANCADOR AL POR MAYOR Ø 3.0 MM×61 M |
| 3   | 99944445000 | 1    | BULK STARTER ROPE - Ø 3.5 MM×61 M | CUERDA DEL ARRANCADOR AL POR MAYOR Ø 3.5 MM×61 M |
| 4   | 99944450000 | 1    | BULK STARTER ROPE - Ø 4.0 MM×61 M | CUERDA DEL ARRANCADOR AL POR MAYOR Ø 4.0 MM×61 M |
| 5   | 99944455000 | 1    | BULK STARTER ROPE - Ø 4.4 MM×61 M | CUERDA DEL ARRANCADOR AL POR MAYOR Ø 4.4 MM×61 M |
| 6   | 99944460000 | 1    | BULK STARTER ROPE - Ø 4.8 MM×61 M | CUERDA DEL ARRANCADOR AL POR MAYOR Ø 4.8 MM×61 M |