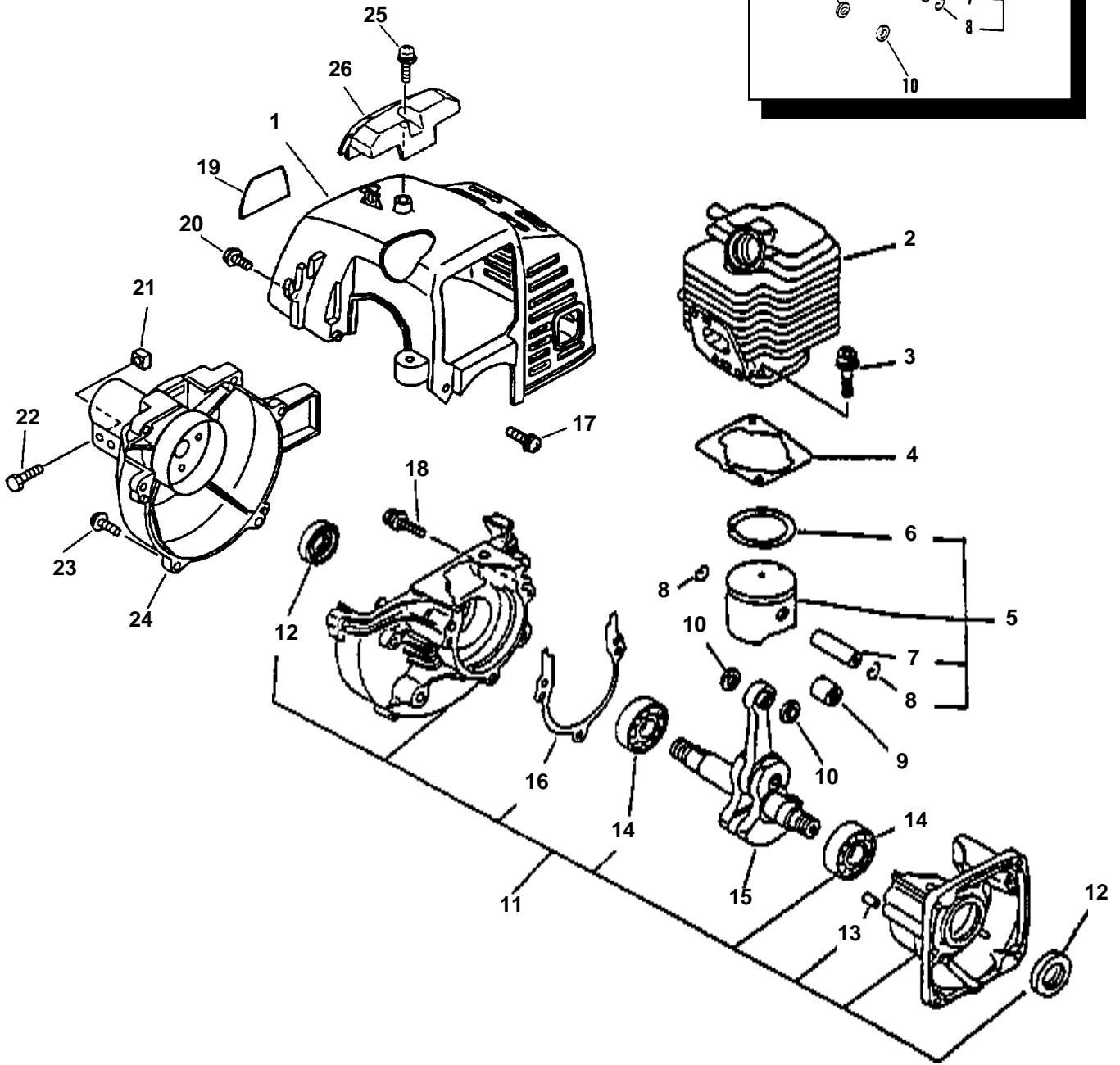
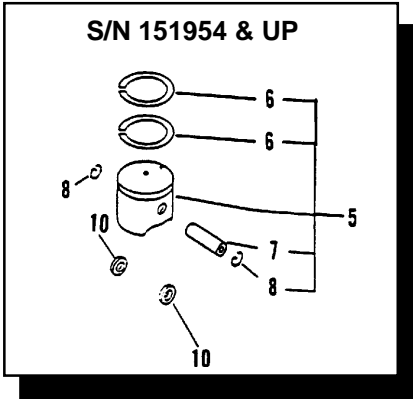




**GRASS TRIMMER  
PARTS CATALOG  
MODEL GT-2000  
SERIAL NUMBER 001001 & UP**

**ECHO, INCORPORATED  
400 OAKWOOD ROAD  
LAKE ZURICH, IL 60047**

**99922202423  
09/99**



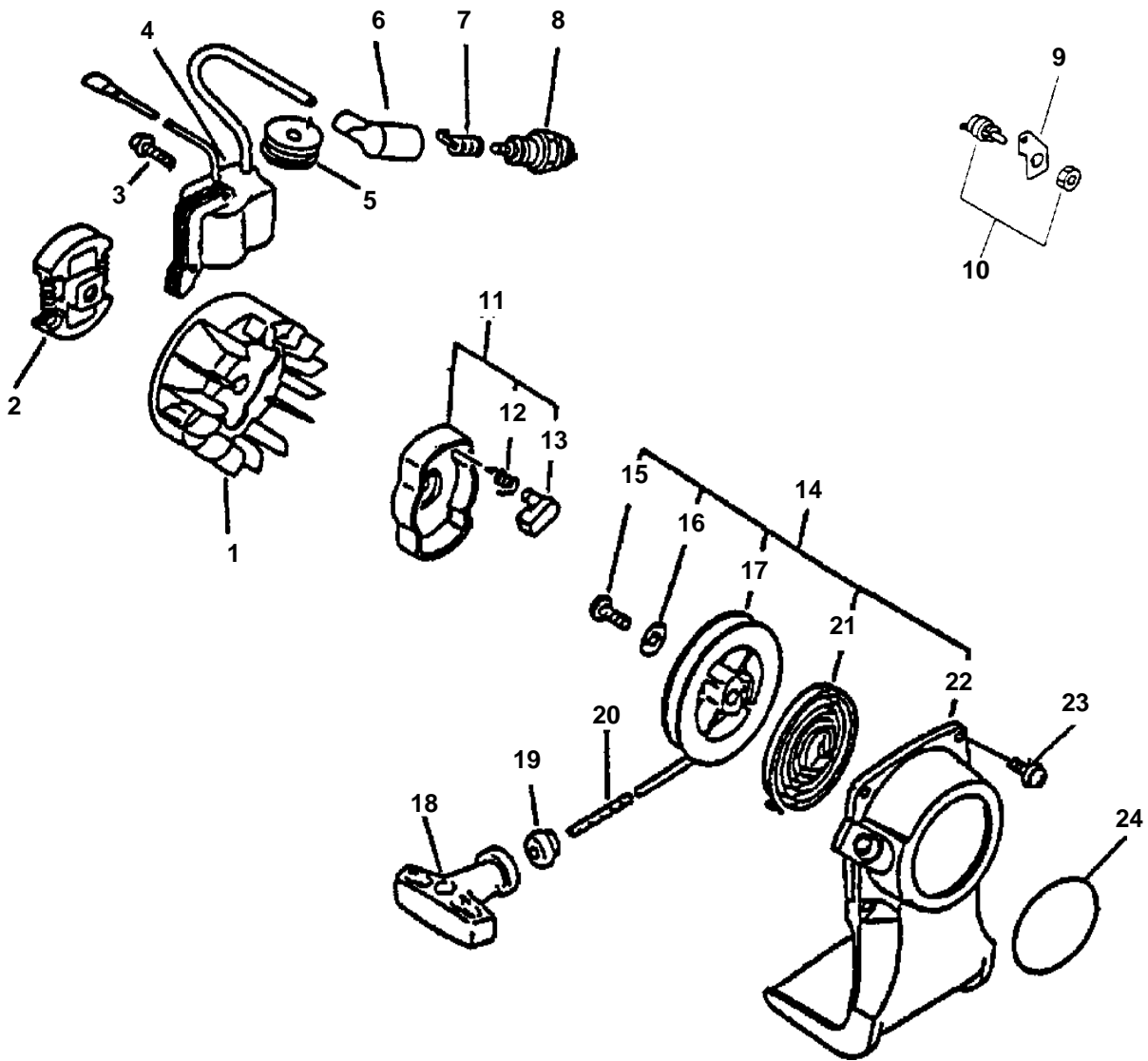
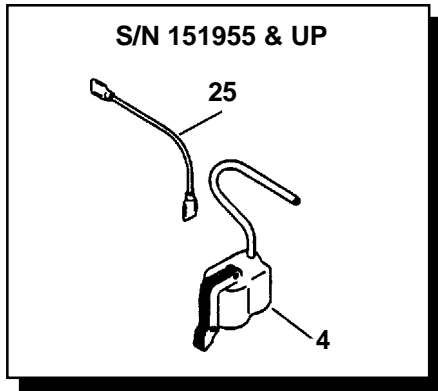
KEY	PART NUMBER	QTY	DESCRIPTION	REMARKS
1	10151448730	1	COVER, CYLINDER	
2	10101147630	1	CYLINDER	S/N 001001 - 151953
2	10101106560	1	CYLINDER	S/N 151954 & UP
3	90016205022	2	BOLT, H.S. 5X22	
4	10101044331	1	GASKET, CYLINDER BASE	USE KIT 88900042031
5	10000044330	1	PISTON KIT (S/N 001001 - 151953)	INCLUDES ITEMS 6, 7, 8 & 10
5	10000048730	1	PISTON KIT (S/N 151954 & UP)	INCLUDES ITEMS 6, 7, 8 & 10
6	10001105330	1	RING, PISTON	S/N 001001 - 151953
6	10001105330	2	RING, PISTON	S/N 151954 & UP
7	10001311520	1	PIN, PISTON	
8	10001504630	2	CIRCLIP, PISTON PIN	
9	10001251230	1	BEARING, NEEDLE	
10	10001411520	2	SPACER, PISTON PIN	
11	-----	1	CRANKCASE KIT (S/N 001001 - 151953)	INCLUDES ITEMS 13, 14, 15 & 17 (USE SB1007)
11	-----	1	CRANKCASE KIT (S/N 151954 & UP)	INCLUDES ITEMS 13, 14, 15 & 17 (USE SB1007)
12	10021242030	2	OILSEAL	
13	10021503930	2	PIN, DOWEL	
14	90081036201	2	BEARING, BALL 6201	
15	-----	1	CRANKSHAFT	S/N 001001 - 151953 (USE SB1007)
15	-----	1	CRANKSHAFT	S/N 151954 & UP (USE SB1007)
16	-----	1	GASKET, CRANKCASE	USE KIT 889000 42031
17	90025304012	2	SCREW 4X12	
18	90016205028	3	SCREW 5X28	
19	89011548730	1	LABEL, MODEL	
<b>20</b>	<b>90025304016</b>	<b>2</b>	<b>SCREW 4X16</b>	
21	90056500005	2	NUT 5	
22	90014205028	2	BOLT 5X28	
23	90023804018	4	SCREW 4X18	
24	10150348730	1	COVER, FAN (INCLUDES CLUTCH DRUM, BEARINGS & CIRCLIP)	
25	90025305016	1	SCREW 5X16	
26	15991248630	1	GUARD, TOP	

ENGINE REPOWER

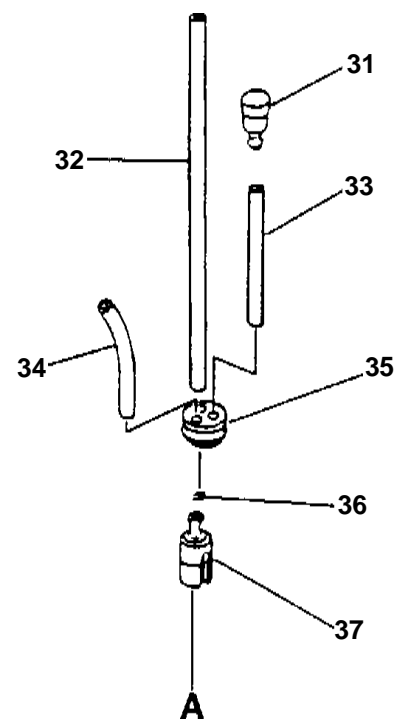
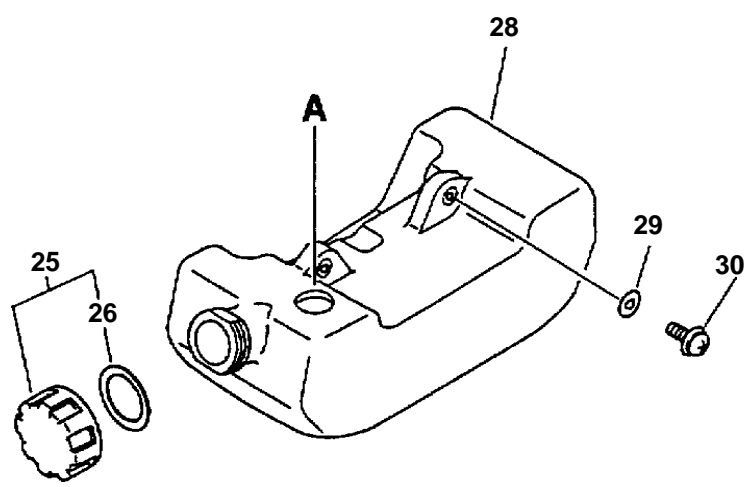
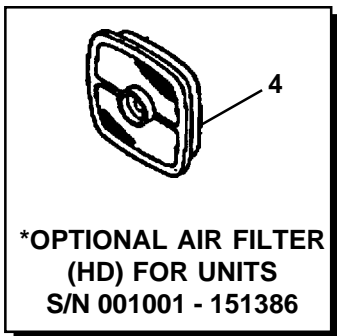
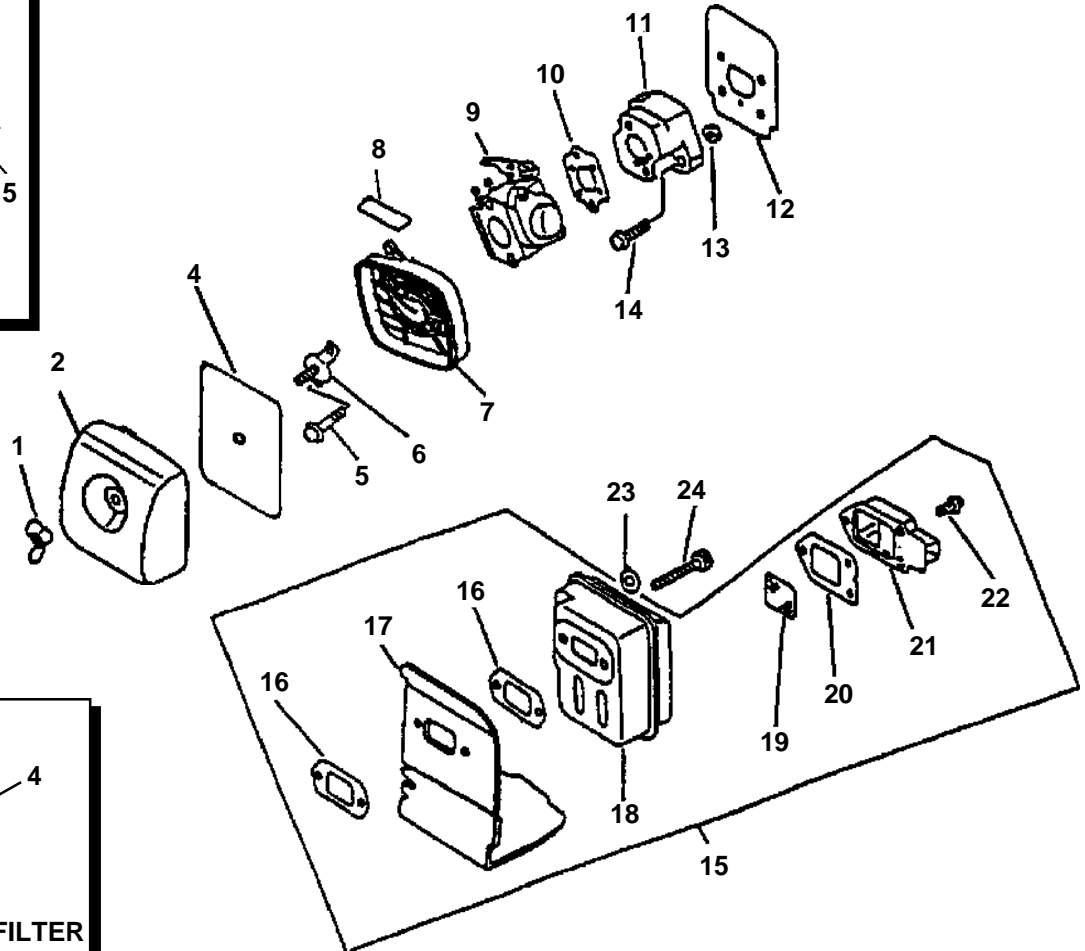
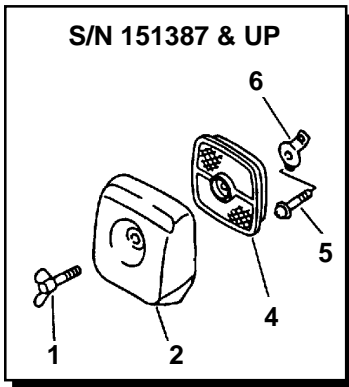
SB1007	1	SHORT BLOCK	INCLUDES FACTORY ASSEMBLED CYLINDER, CRANKCASE, PISTON, CRANKSHAFT, BEARINGS AND SEALS.
--------	---	-------------	---

OPTIONAL

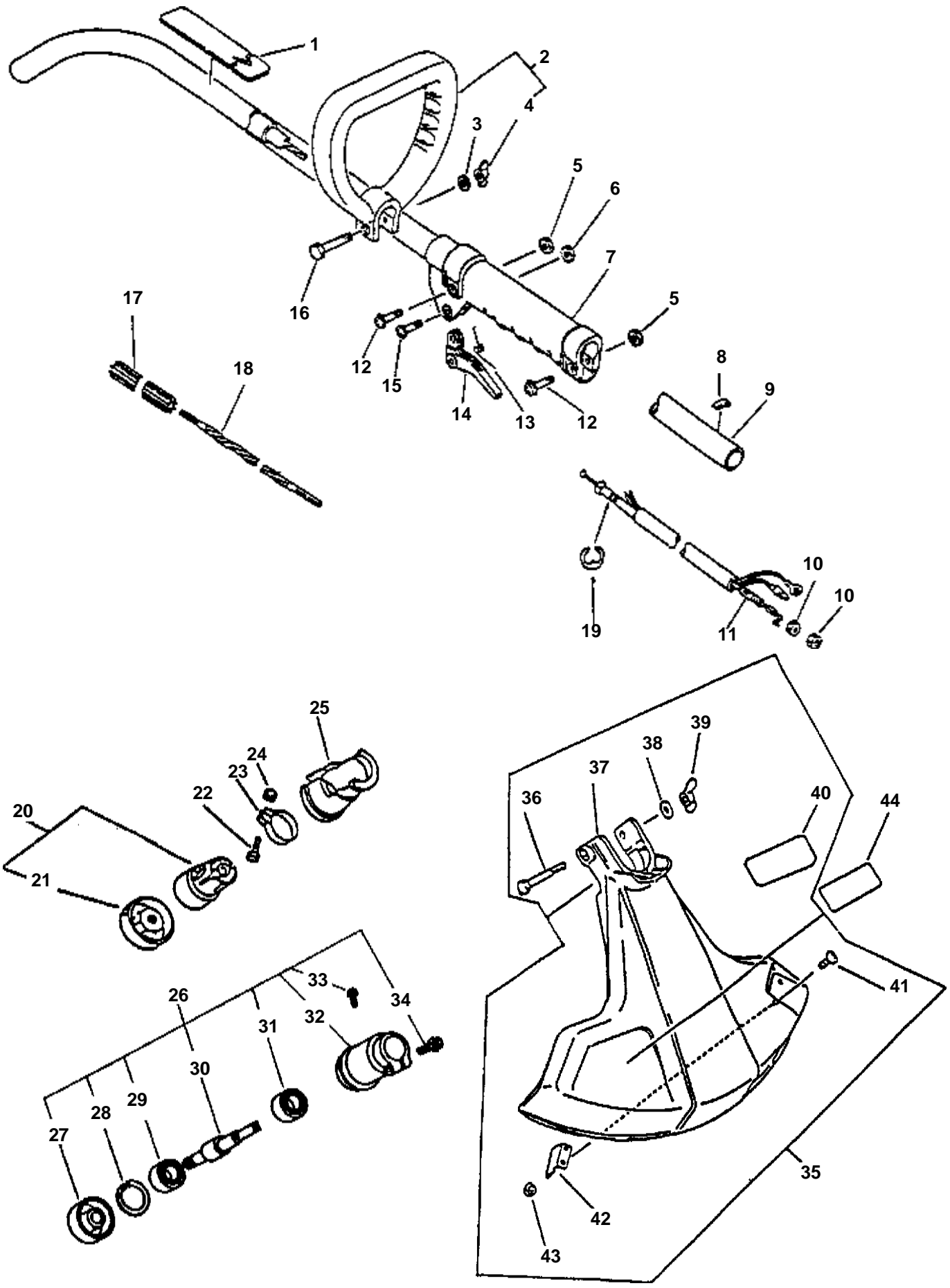
88900042031	1	GASKET KIT	
10101044331	1	GASKET, CYLINDER BASE	
-----	1	GASKET, CRANKCASE	
13001642031	1	GASKET, INTAKE	
13001042031	1	GASKET, INTAKE	
14586642031	1	GASKET, MUFFLER LID	
14551042031	2	GASKET, MUFFLER	



KEY	PART NUMBER	QTY	DESCRIPTION	REMARKS
1	15680144730	1	FLYWHEEL	S/N 001001 - 229249
<b>1</b>	<b>15680109660</b>	<b>1</b>	<b>FLYWHEEL</b>	<b>S/N 229250 &amp; UP</b>
2	17500042031	1	CLUTCH ASY	S/N 001001 - 158001
2	17500049030	1	CLUTCH ASY	S/N 158002 & UP
3	90016204022	2	SCREW 4X22	
4	15660144730	1	COIL, IGNITION	S/N 001001 - 151954
4	15660152130	1	COIL, IGNITION	S/N 151955 - 229249
<b>4</b>	<b>15662609660</b>	<b>1</b>	<b>COIL, IGNITION</b>	<b>S/N 229250 &amp; UP</b>
5	15011244330	1	GROMMET, H.T. CORD	
6	15901201620	1	CAP, SPARK PLUG	
7	15901103432	1	COIL, SPARK PLUG CAP	
8	15901010630	1	PLUG, SPARK BPM-7A	
8	15901010230	1	PLUG, SPARK BPMR-7A	CANADIAN MODELS ONLY
9	16340003460	1	SWITCH, IGNITION	
10	16381044330	1	BRACKET, SWTICH	
11	17720244330	1	PAWL ASY, STARTER	INCLUDES ITEMS 12 & 13
12	17723442030	1	SPRING, RETURN	
13	17721844330	1	PAWL, STARTER	
14	17720044332	1	STARTER ASY	INCLUDES ITEMS 15 - 22
15	17723644330	1	SCREW	
16	17721442030	1	WASHER	
17	17721542030	1	DRUM, STARTER	
18	17722806530	1	GRIP, STARTER	
19	17722742030	1	GUIDE, ROPE	
20	-----	1	ROPE, STARTER	USE BULK ROPE 999444 00040 DIA. 3mm (.12 IN.) X 890 mm (35 IN.)
21	17722042030	1	SPRING, REWIND	
22	17723244332	1	CASE, STARTER	
23	90016204016	2	SCREW 4X16	
24	89011849130	1	LABEL, ECHO	
25	16202152130	1	LEAD	S/N 151955 & UP

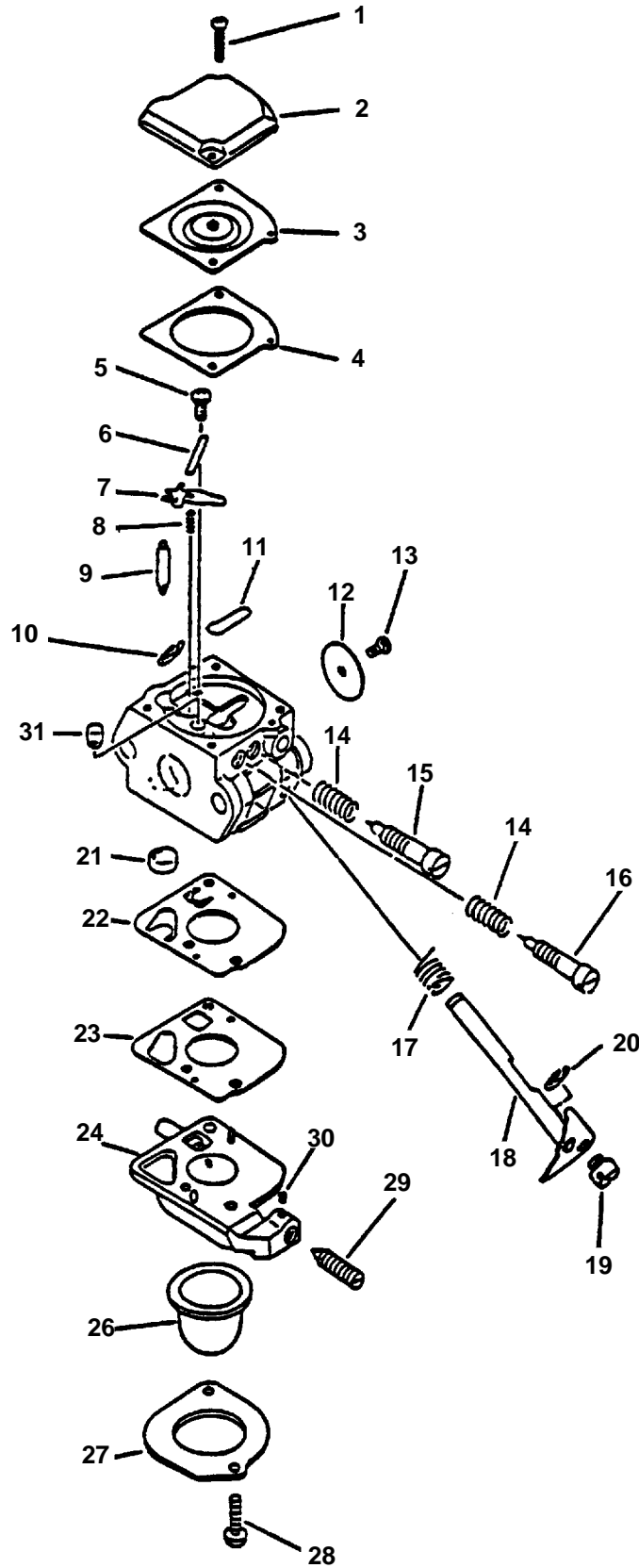


KEY	PART NUMBER	QTY	DESCRIPTION	REMARKS
1	90052800005	1	NUT, WING 5	S/N 001001 - 151386
1	21041752730	1	WING STUD	S/N 151387 & UP
2	13031306560	1	COVER, AIR CLEANER	S/N 001001 - 151386
2	13031306562	1	COVER, AIR CLEANER	S/N 151387 & UP
4	13031006560	1	FILTER, AIR	S/N 001001 - 151386
4	13031054130	1	FILTER, AIR	S/N 151387 & UP
5	90024205065	2	SCREW 5X65	
6	12901105060	1	PLATE, PREVENT	S/N 001001 - 151386
6	12901106360	1	PLATE, PREVENT	S/N 151387 - 151954
6	12901152730	1	PLATE, PREVENT	S/N 151955 & UP
7	13030706561	1	CASE, AIR CLEANER	
8	89012106360	1	LABEL, CHOKE	
9	12520048731	1	CARBURETOR C1U-K29	S/N 001001 - 151594
9	12520049030	1	CARBURETOR C1U-K47	S/N 151955 & UP
10	13001642031	1	GASKET, INTAKE	
11	13001742031	1	INSULATOR	
12	13001042031	1	GASKET, INTAKE	
13	90050000005	1	NUT 5	
14	90023805020	2	SCREW 5X20	
15	14580042031	1	MUFFLER ASY	INCLUDES ITEMS 16 - 22
16	14551042031	2	GASKET, MUFFLER	
17	14587144331	1	COVER, MUFFLER	
18	14580642030	1	MUFFLER	
19	14586240630	1	SCREEN, MUFFLER	
20	14586642031	1	GASKET, MUFFLER LID	
21	14580942030	1	HOLDER, SCREEN	S/N 001001 - 151954
21	14586354130	1	HOLDER, SCREEN	S/N 151955 & UP
22	90023804010	3	SCREW 4X10	
23	90060000005	2	WASHER 5	
24	90010505055	2	BOLT, H.S. 5X55	
25	13100448730	1	CAP ASY, FUEL	INCLUDES ITEM 26
26	13101640930	1	GASKET, FUEL TANK CAP	
28	13100544330	1	TANK, FUEL	
29	90060300005	2	WASHER 5	
30	90023805016	2	SCREW 5X16	
31	13130040630	1	VENT ASY	
32	13201013930	1	PIPE, FUEL	
33	13131244330	1	PIPE 3X5X70	
34	13201246730	1	PIPE	
35	13211546730	1	GROMMET, FUEL	
36	13201309820	1	CLIP	
37	13120507320	1	STRAINER, FUEL	

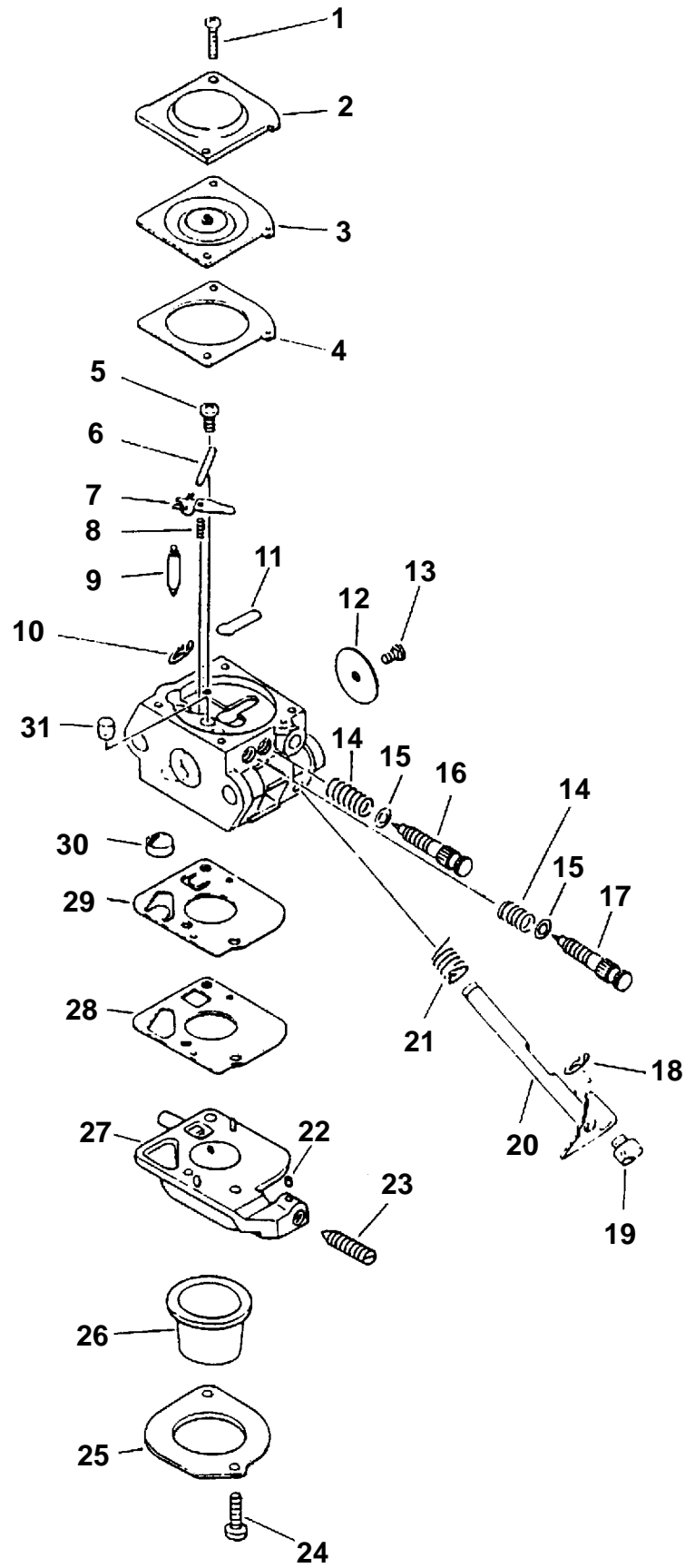




KEY	PART NUMBER	QTY	DESCRIPTION	REMARKS
1	890317 44530	1	LABEL, CAUTION	
2	351600 09630	1	HANDLE ASY	INCLUDES ITEMS 3, 4 & 16
3	900527 00006	1	NUT, WING 6	S/N 001001 -184857
3	900030 00008	1	NUT 1/4-20	S/N 184858 & UP
4	900600 00006	1	WASHER 6	S/N 001001 -184857
4	900035 00008	1	WASHER, FLAT 1/4"	S/N 184858 & UP
5	900500 00005	2	NUT 5	
6	900560 00005	1	LOCKNUT 5	
7	351213 44330	1	GRIP, HANDLE	
8	890152 04930	1	LABEL, CAUTION	
9	610609 44330	1	HOUSING ASY, DRIVESHAFT	INCLUDES ITEM 17
10	900502 00006	2	NUT 6 (3)	
11	178001 44430	1	WIRE, THROTTLE	S/N 001001 - 132710
11	178002 44430	1	WIRE, THROTTLE	S/N 132711 & UP
12	900242 05025	2	SCREW 5X25	
13	178043 06930	1	SPRING, THROTTLE RETURN	
14	178010 48731	1	CONTROL, THROTTLE	
15	178110 05330	1	SCREW	
16	900100 06040	1	BOLT 6X40	S/N 001001 -184857
16	900017 08048	1	BOLT 1/4-20	S/N 184858 & UP
17	610217 44330	1	LINER, FLEXIBLE	
18	610013 09630	1	SHAFT, FLEXIBLE	
19	900700 00005	1	E-RING, 5MM	S/N 001001 - 132710
19	900700 00004	1	E-RING, 4MM	S/N 132711 & UP
20	610400 44330	1	HOUSING ASY, BEARING	INCLUDES ITEM 21
21	610305 44330	1	PLATE, ADAPTER	S/N 001001 - 115632
22	900105 05010	1	BOLT, H.S. 5X10	S/N 001001 - 115632
23	610448 44330	1	BAND	S/N 001001 - 115632
24	900500 00005	1	NUT 5	S/N 001001 - 115632
25	610449 44330	1	BRACKET, BEARING CASE	S/N 001001 - 115632
26	610404 52430	1	HOUSING ASY (S/N 115633 & UP)	INCLUDES ITEMS 27 - 34
27	610305 52430	1	PLATE, ADAPTER	S/N 115633 & UP
28	900702 00030	1	CIRCLIP 30	S/N 115633 & UP
29	900811 06200	1	BEARING, BALL 6200	S/N 115633 & UP
30	610310 52430	1	SHAFT, P.T.O.	S/N 115633 & UP
31	900810 06200	1	BEARING, BALL 6200	S/N 115633 & UP
32	610410 52430	1	HOUSING, BEARING	S/N 115633 & UP
33	900242 04010	1	SCREW 4X10	S/N 115633 & UP
34	900152 05025	1	BOLT, H.S. 5X25	S/N 115633 & UP
35	699004 40630	1	SHIELD ASY, W/LABEL	INCLUDES ITEMS 35 - 43
36	900100 06050	1	BOLT 6X50	S/N 001001 - 184857
36	900017 08064	1	BOLT, 1/4-20X2	S/N 184858 & UP
37	699010 40631	1	SHIELD	
38	900600 00006	1	WASHER 6	S/N 001001 - 184857
38	900035 00008	1	WASHER, FLAT 1/4"	S/N 184858 & UP
39	900527 00006	1	NUT, WING 6	S/N 001001 - 184857
39	900030 00008	1	NUT 1/4-20	S/N 184858 & UP
40	890168 44330	1	LABEL, CAUTION	
41	900242 05016	2	SCREW 5X16	
42	699016 44330	1	KNIFE, CORD	
43	900500 00005	2	NUT 5	
44	890118 48830	1	LABEL, ECHO	

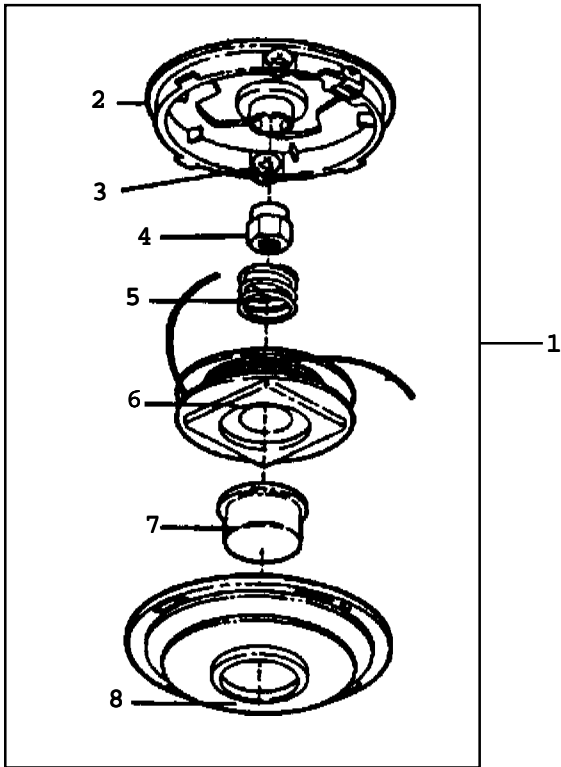


KEY	PART NUMBER	QTY	DESCRIPTION	REMARKS
	12520048731	1	CARBURETOR C1U-K29	INCLUDES THE FOLLOWING ITEMS
1	12534452130	2	SCREW	
2	12534252130	1	COVER, DIAPHRAGM	
3	A B	1	DIAPHRAGM	
4	A B	1	GASKET, DIAPHRAGM	
5	12533942030	1	SCREW	
6	A	1	PIN	
7	A	1	ARM, VALVE	
8	A	1	SPRING, COIL	
9	A	1	VALVE, NEEDLE	
10	12532715130	1	CLIP	
11	A	1	PLUG, WELCH	
12	12531642030	1	VALVE, THROTTLE	
13	12531413930	1	SCREW	
14	12531942030	2	SPRING, COIL	
15	12531842030	1	NEEDLE, IDLE	
16	12532047630	1	NEEDLE, HIGH SPEED	
17	12531342030	1	SPRING, THROTTLE RETURN	
18	12531742030	1	SHAFT, THROTTLE	
19	12532713930	1	CLIP	
20	12537242030	1	SWIVEL	
21	A	1	STRAINER	
22	A B	1	DIAPHRAGM, FUEL PUMP	
23	A B	1	GASKET, FUEL PUMP	
24	12532411610	1	COVER, PUMP	
26	12538146730	1	PUMP, PRIMER	
27	12536311610	1	RING	
28	12531011610	2	SCREW	
29	12533413930	1	SCREW, IDLE ADJUST	
30	12537813930	1	PIECE, FRICTION	
31	12537611610	1	NOZZLE, CHECK VALVE	
A	12530042030	1	REBUILD KIT	
B	12530342030	1	GASKET/DIAPHRAGM KIT	

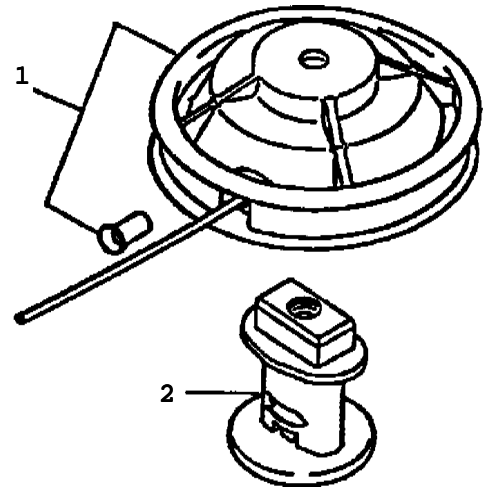


KEY	PART NUMBER	QTY	DESCRIPTION	REMARKS
	12520049030	1	CARBURETOR C1U-K47	INCLUDES THE FOLLOWING ITEMS
1	12534452130	2	SCREW	
2	12534213210	1	COVER, DIAPHRAGM	
3	A B	1	DIAPHRAGM	
4	A B	1	GASKET, DIAPHRAGM	
5	12533942030	1	SCREW	
6	A	1	PIN	
7	A	1	ARM, VALVE	
8	A	1	SPRING, COIL	
9	A	1	VALVE, NEEDLE	
10	12532715130	1	CLIP	
11	A	1	PLUG, WELCH	
12	12531649030	1	VALVE, THROTTLE	
13	12531413930	1	SCREW	
14	12531942030	2	SPRING, COIL	
15	12535307760	4	WASHER	
16	12531807360	1	SCREW, IDLE NEEDLE	
17	12532007360	1	NEEDLE, HIGH SPEED	
18	12532713930	1	CLIP	
19	12537242030	1	SWIVEL	
20	12531749030	1	SHAFT, THROTTLE	
21	12531342030	1	SPRING, THROTTLE RETURN	
22	12537813930	1	PIECE, FRICTION	
23	12533413930	1	SCREW, IDLE ADJUST	
24	12531011610	2	SCREW	
25	12536311610	1	RETAINER, PRIMER PUMP	
26	12538146730	1	PUMP, PRIMER	
27	12532411610	1	COVER, PUMP	
28	A B	1	GASKET, FUEL PUMP	
29	A B	1	DIAPHRAGM, FUEL PUMP	
30	A	1	STRAINER	
31	12537611610	1	NOZZLE, CHECK VALVE	
A	12530049030	1	REBUILD KIT	
B	12530349030	1	GASKET/DIAPHRAGM KIT	

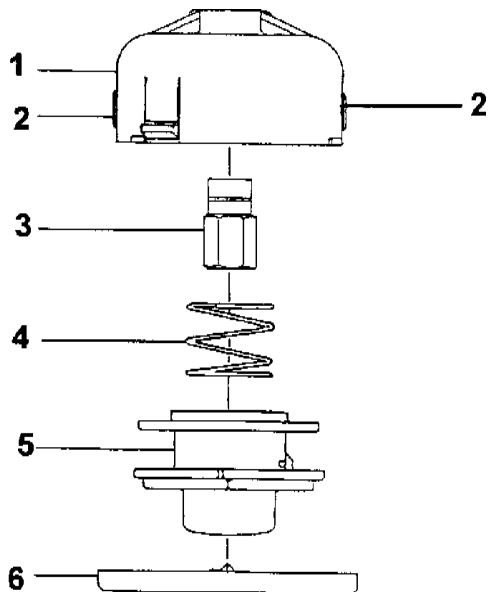
99944200240



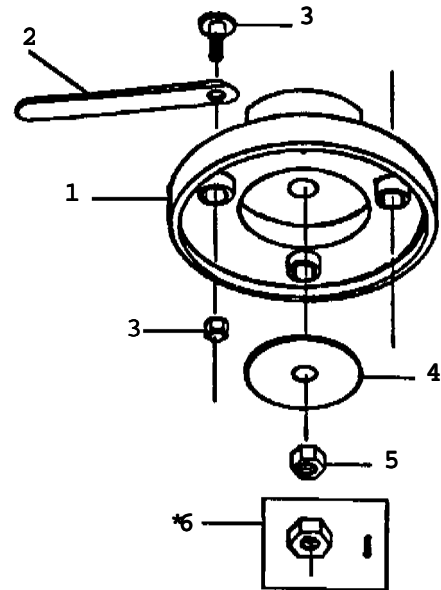
99944200020



**2-LINE BUMP HEAD**



215100 WEED BUTCHER  
215111 MAXI-CUT



KEY	PART NUMBER	QTY	DESCRIPTION	REMARKS
1	99944200240	1	2-LINE SEMI-AUTOMATIC TRIMMER HEAD	
2	69621052730	1	HOUSING	
3	215703	2	EYELET	
4	69621152730	1	SHAFT, BOLT	
5	69621652730	1	SPRING	
6	69621452730	1	SPOOL W/O LINE	
7	215407	1	BUTTON	
8	69621752730	1	COVER	
	99944200020	1	GT MANUAL HEAD	
1	N/A	1	DRUM, CORD REEL	
2	69621442030	1	REEL, CORD	
1	215100	1	WEED BUTCHER	
1A	215111	1	MAXI-CUT	
2	215101	1	BLADE SET (3)	215100
2A	215112	1	BLADE SET (3)	215111
3	215102	1	FASTENER SET (3)	215100
3A	215113	1	FASTENER SET (3)	215111
4	215103	1	WASHER, MOUNTING	215100 AND 215111
5	215104	1	MOUNTING NUT (GT UNITS)	
*6	90030020022	1	COTTER PIN (SRM UNITS)	
	90051100010	1	MOUNTING NUT (SRM UNITS)	
*	69620044430	1	2 LINE BUMP HEAD W/ORANGE LINE	S/N 133631 & UP
1	69621044430	1	HOUSING	
2	69621244430	2	EYELET	
3	69621144430	1	NUT R.H.	
4	215405	1	SPRING	
5	69621444430	1	SPOOL	
6	69621744430	1	COVER	
*	NOT AVAILABLE			