

# PARTS CATALOGUE

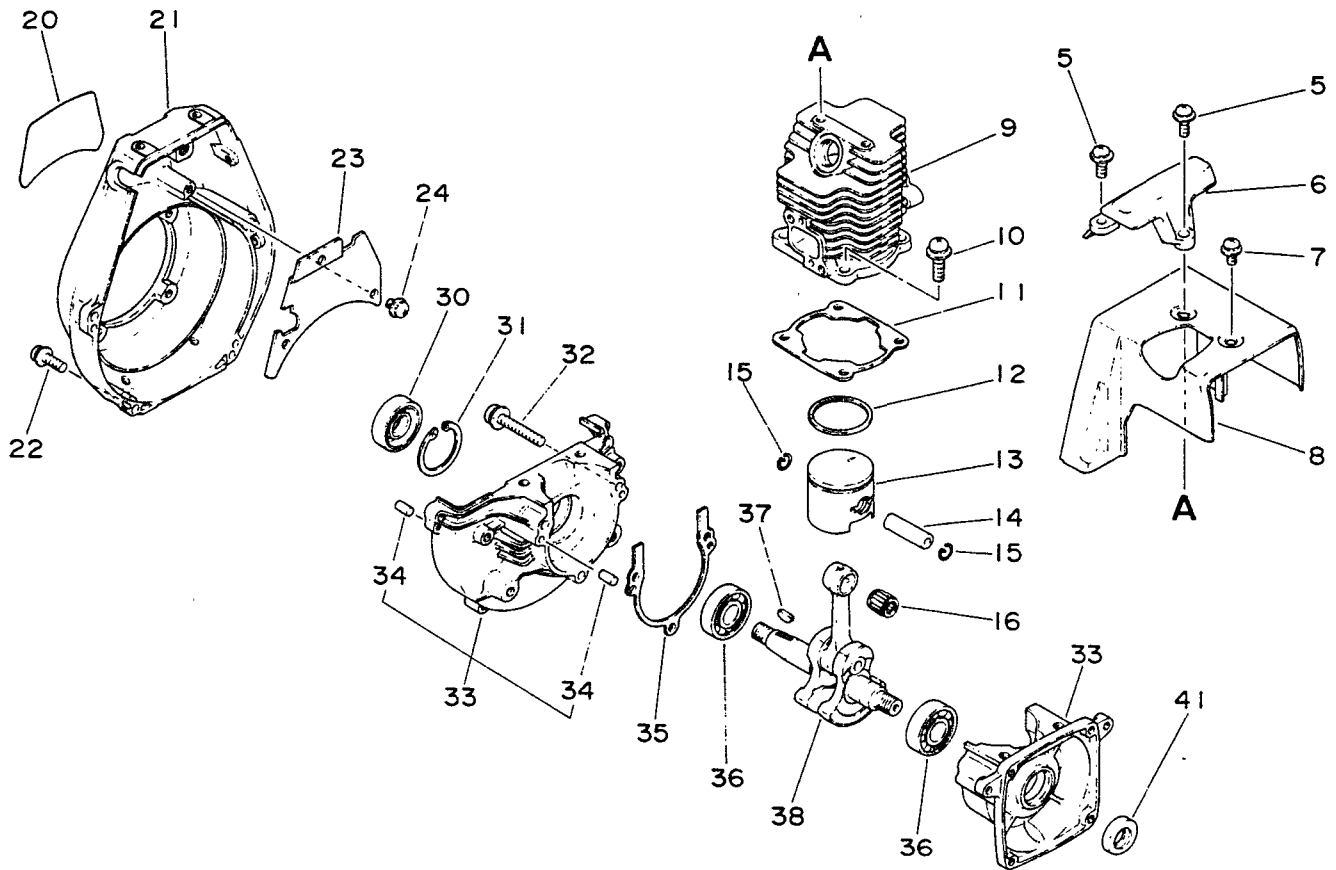
# ECHO WEED & GRASS TRIMMER GT-2200

## CAUTION

Read Rules for safe Operation  
and Instructions Carefully

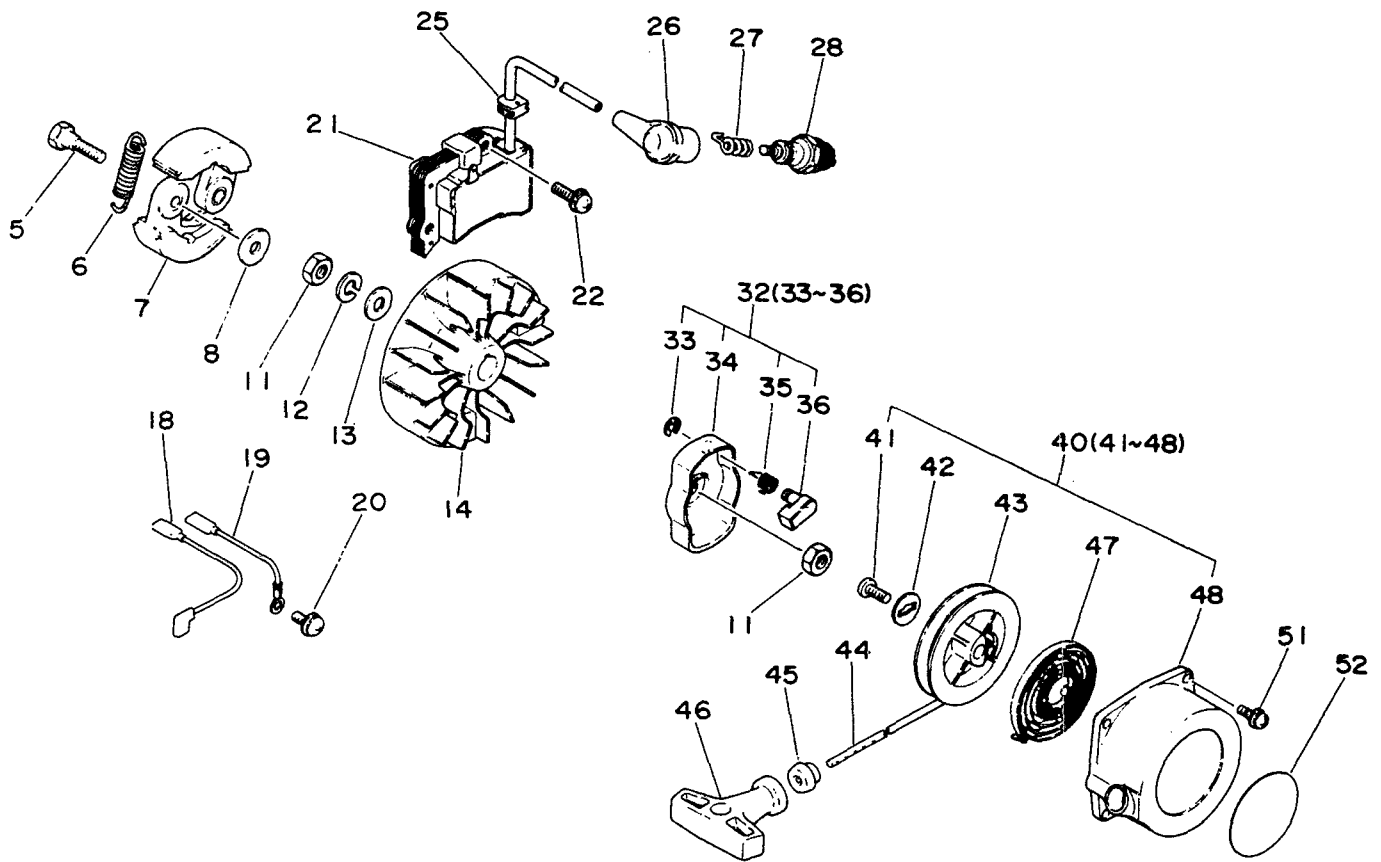


GT-2200 1



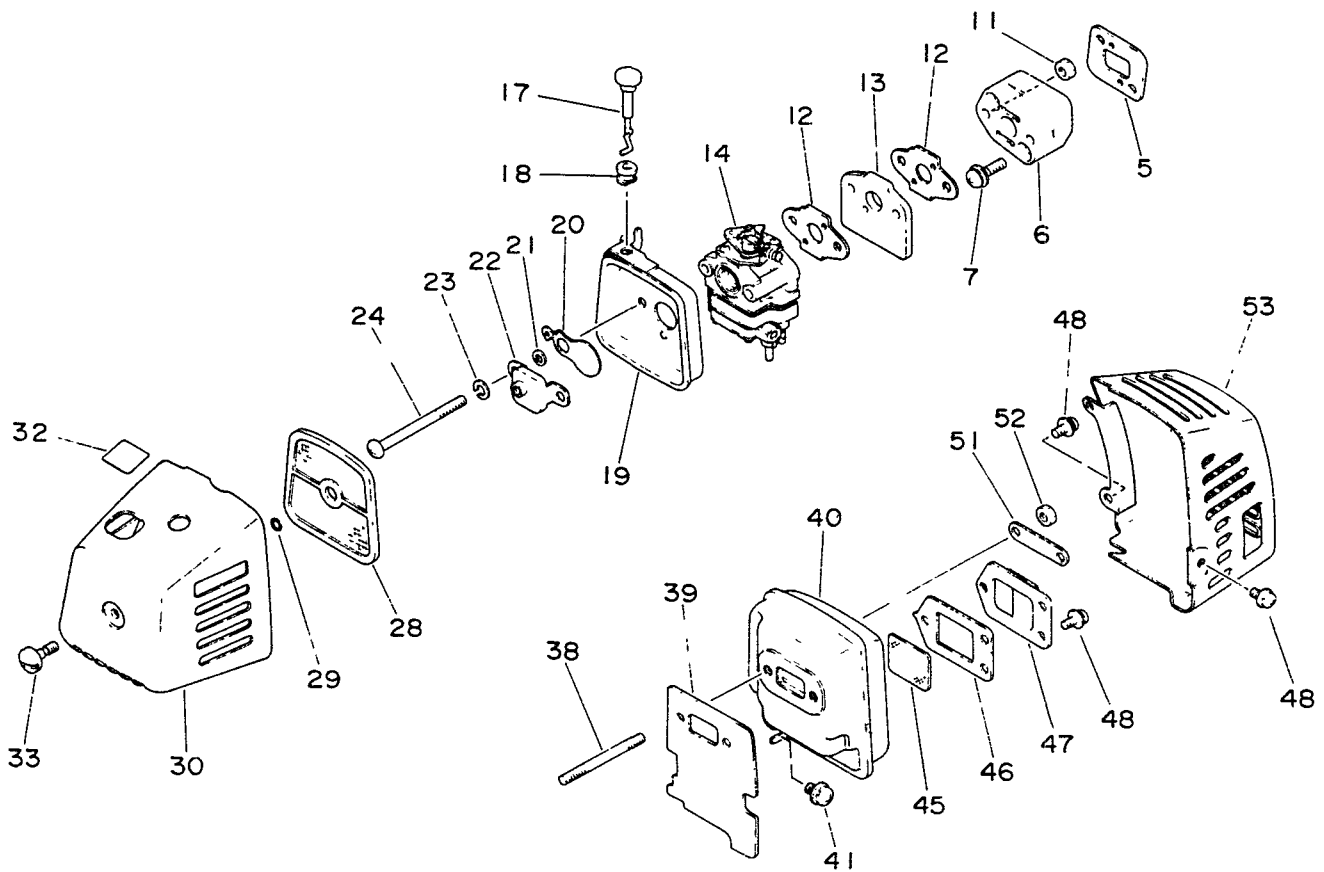
Key No.	Part Number	Q'ty	Description	Key No.	Part Number	Q'ty	Description
1- 5	900 238 0401 4	3	Screw 4x14	1- 23	101 534-4063 0	1	Plate
6	159 905-4063 0	1	Guard, top	24	900 238-0400 8	3	Screw 4x8
7	900 238-0401 0	1	Screw 4x10	30	100 212-2823 0	1	Oilseal
8	101 514-4063 0	1	Cover, cylinder	31	900 702-0002 8	1	Circlip 28
9	101 011-4063 0	1	Cylinder	32	900 238-0502 8	3	Screw 5x28
10	900 238-0501 6	4	Screw 5x16	33	100 200-2823 0	1	Crankcase set
11	101 010-2823 0	1	Gasket, cylinder base	34	-100 215-0393 0	4	Pin, dowel
12	100 011-0533 0	1	Ring, piston	35	100 242-2823 0	1	Gasket, crankcase
13	100 010-4063 0	1	Piston	36	900 800-3600 1	2	Bearing, ball 6001
14	100 013-2233 0	1	Pin, piston	37	100 142-1233 0	1	Key, Woodruff
15	100 015-0463 0	2	Circlip, piston pin	38	100 100-4063 0	1	Crankshaft ass'y
16	100 012-2233 0	1	Bearing, needle	41	100 212-0463 0	1	Oilseal
20	890 115-4063 0	1	Label, model				
21	101 511-4063 0	1	Cover, fan				
22	900 238-0401 6	4	Screw 4x16				

GT-2200 2



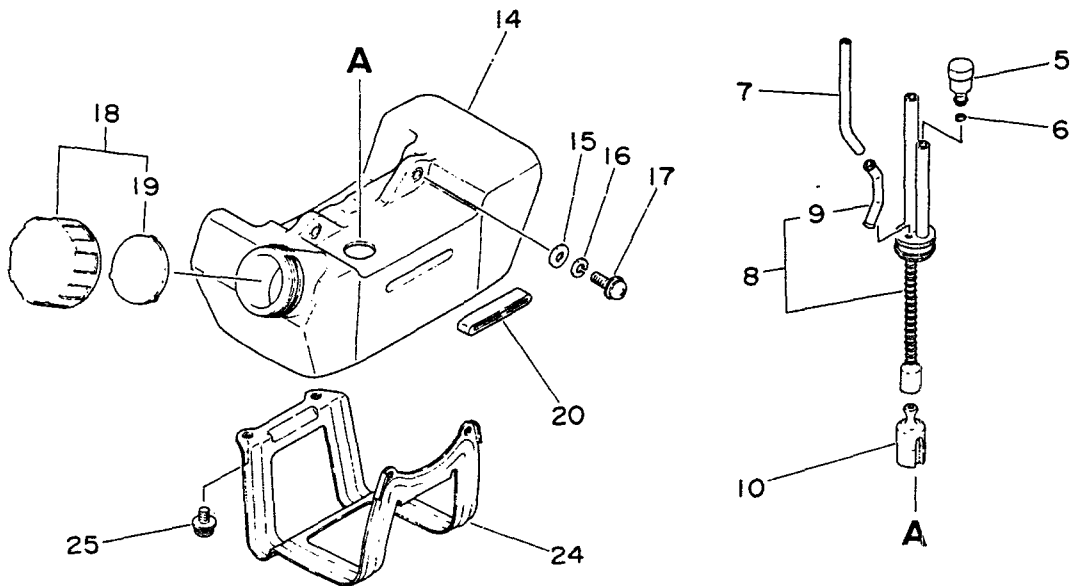
Key No.	Part Number	Q'ty	Description	Key No.	Part Number	Q'ty	Description
2- 5	175 046-2233	2	Bolt	2- 35	-177 234-4063	0	Spring, pawl
6	175 018-0553	5	Spring, clutch	36	-177 218-4063	0	Pawl, starter
7	175 009-0553	1	Shoe, clutch	40	177 200-4063	0	Starter ass'y
8	175 048-0553	0	Spacer	41	-177 236-4063	0	Screw
11	900 502-0000	8	Nut 8	42	-177 214-4063	0	Washer
12	900 605-0000	8	Washer, spring 8	43	-177 215-4063	0	Reel, starter
13	900 600-0000	8	Washer 8	44	-177 226-0393	0	Rope, starter
14	156 801-2823	0	Flywheel	45	-177 227-0553	0	Guide, rope
18	156 630-4063	0	Lead	46	-177 228-0653	0	Grip, starter
19	156 635-4063	0	Lead	47	-177 220-4063	0	Spring, rewind
20	900 238-0501	0	Screw 5x10	48	-177 232-4063	0	Case, starter
21	156 601-4063	0	Module, CDI	51	900 238-0401	4	Screw 4x14
22	900 238-0502	0	Screw 5x20	52	890 112-2673	0	Label, ECHO
25	156 112-4063	0	Grommet				
26	159 012-0343	3	Cap, spark plug				
27	159 011-0343	2	Coil, spark plug cap				
28	159 017-1393	0	Plug, spark				
32	177 202-4063	0	Catcher ass'y, pawl				
33	-900 700-0000	6	E-ring 6				
34	-177 210-4063	0	Catcher, pawl				

GT-2200 3



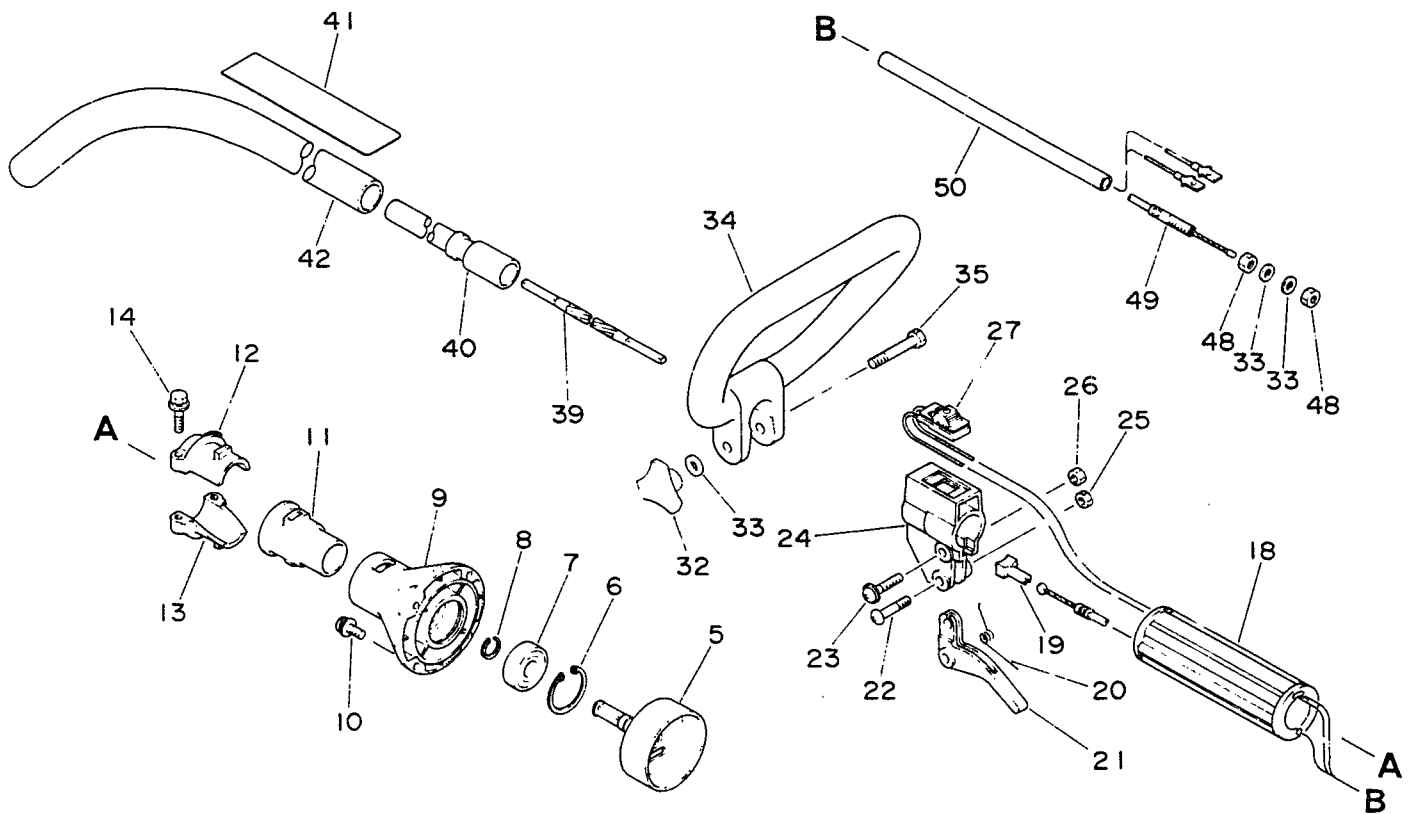
Key No.	Part Number	Q'ty	Description	Key No.	Part Number	Q'ty	Description
3-	130 010-2823 0	1	Gasket, insulator	3-	101 014-0056 0	2	Stud
6	130 017-4063 0	1	Insulator	39	145 510-4063 0	1	Gasket, muffler
7	900 238-0502 0	2	Screw 5x20	40	145 806-4063 0	1	Muffler
11	900 500-0000 5	2	Nut 5	41	900 238-0501 0	1	Screw 5x10
12	130 016-4063 0	2	Gasket	45	145 862-4063 0	1	Screen
13	130 026-4063 0	1	Spacer	46	145 866-4063 0	1	Gasket
14	123 000-4063 0	1	Carburetor	47	145 809-4063 0	1	Lid, muffler
17	178 510-4103 0	1	Rod, choke	48	900 238-0401 0	6	Screw 4x10
18	178 810-0523 0	1	Grommet	51	145 642-0493 0	1	Washer
19	130 314-4063 0	1	Body, air cleaner	52	433 020-0083 0	2	Locknut
20	178 515-4063 0	1	Shutter, choke	53	145 871-4063 0	1	Cover, muffler
21	178 516-0083 0	2	Spacer				
22	129 006-4063 0	1	Plate				
23	900 605-0000 5	2	Washer, spring 5				
24	900 220-0506 0	2	Screw 5x60				
28	130 310-4063 0	1	Filter, air				
30	130 302-4063 0	1	Cover, air cleaner				
29	-900 720-0000 4	1	O-ring 4				
33	-130 415-4063 0	1	Fastener				
32	890 121-4063 0	1	Label				

GT-2200 4



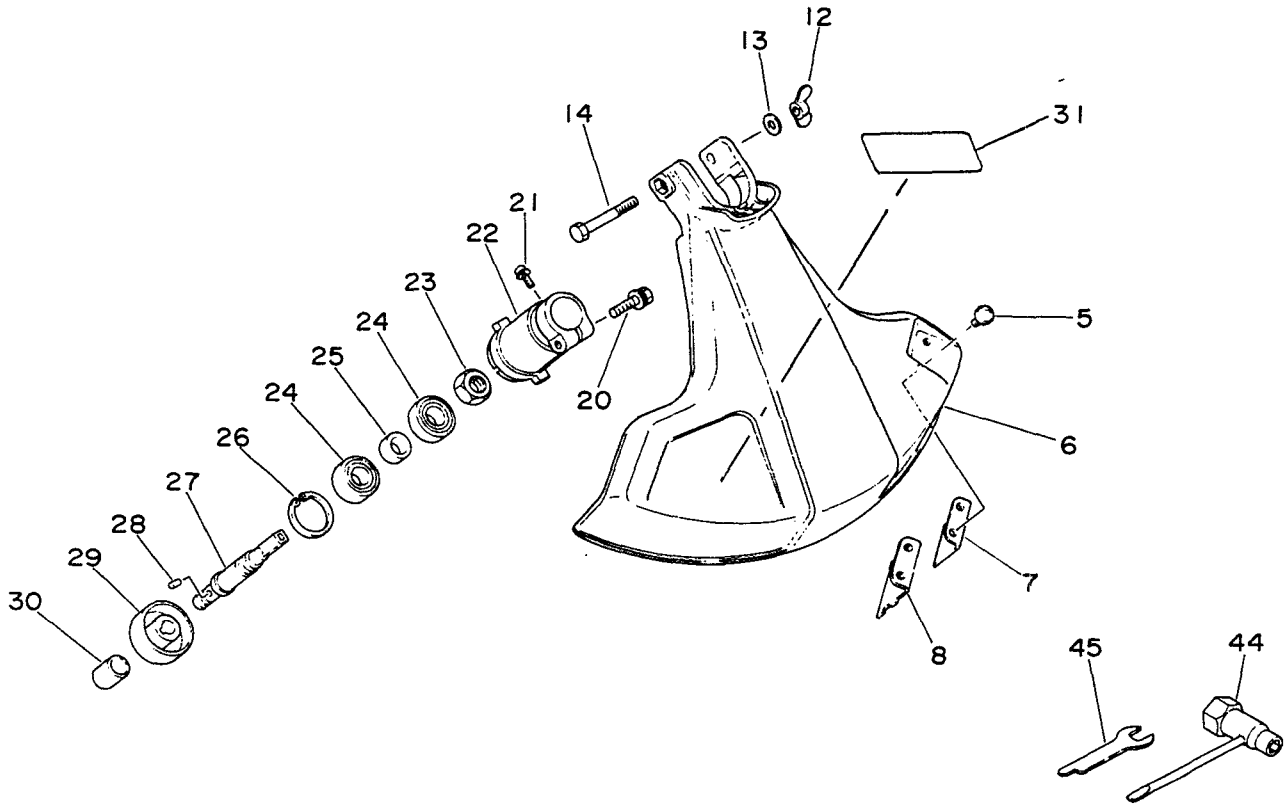
Key No.	Part Number	Q'ty	Description	Key No.	Part Number	Q'ty	Description		
4-	5	131 300-4063 0	1	Vent ass'y	4-	18	131 004-4063 0	1	Cap, fuel
	6	130 111-0053 0	1	Clip		19	-131 016-4063 0	1	Gasket
	7	129 028-4063 0	1	Pipe		20	131 920-4063 0	1	Cushion
	8	132 002-4063 0	1	Pipe		24	305 110-4063 0	1	Stand
	9	-132 021-4063 0	1	Connector, pipe		25	900 238-0501 0	2	Screw 5x10
<hr/>									
	10	131 205-0732 0	1	Strainer, fuel					
	14	131 005-4063 0	1	Tank, fuel					
	15	900 603-0000 5	2	Washer 5					
	16	900 605-0000 5	2	Washer, spring 5					
	17	900 220-0501 6	2	Screw 5x16					

GT-2200 5



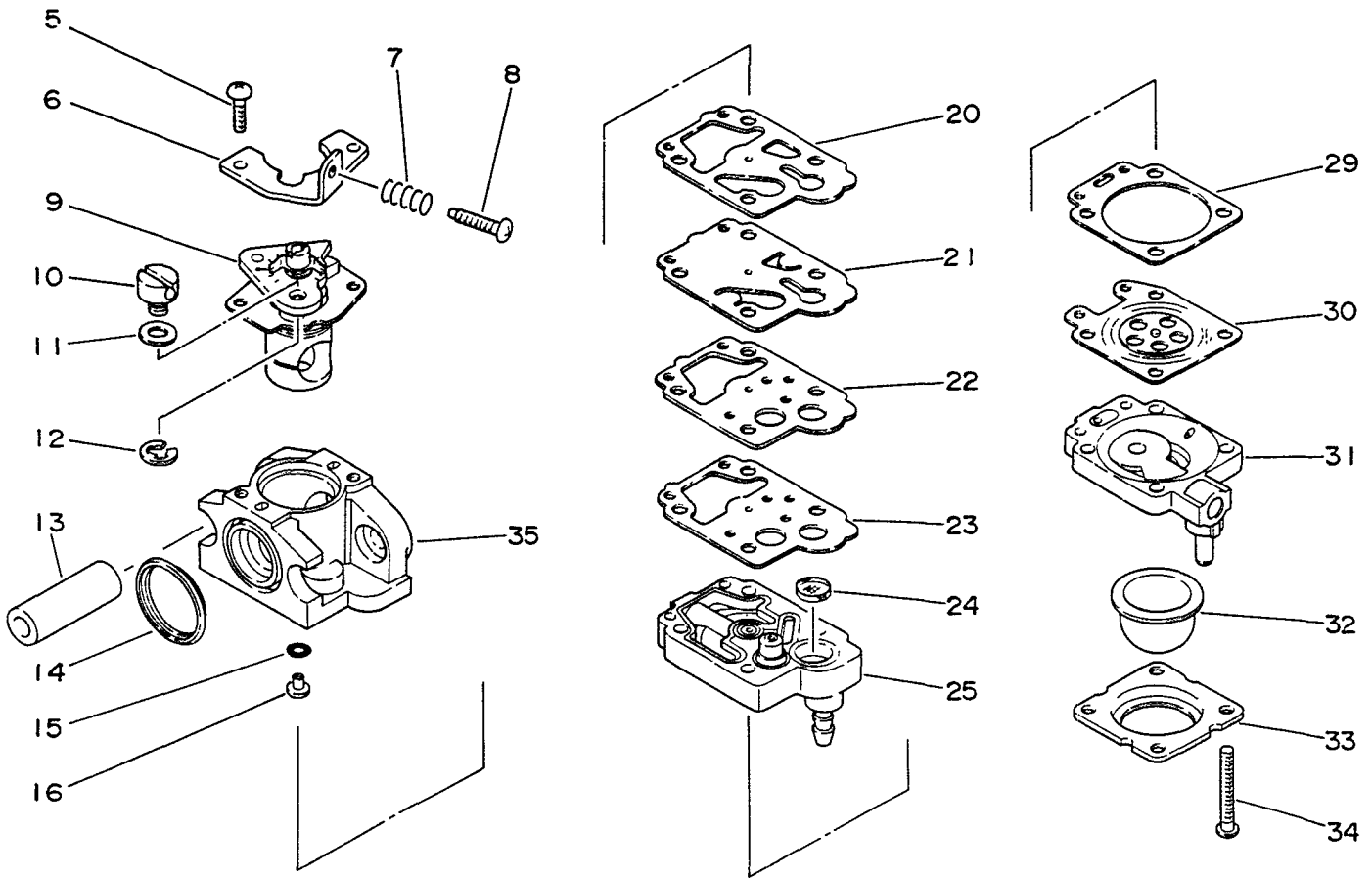
Key No.	Part Number	Q'ty	Description	Key No.	Part Number	Q'ty	Description
5- 5	175 005-4063 0	1	Drum, clutch	5- 32	352 325-4063 0	1	Nut
6	900 702-0003 2	1	Circlip 32	33	900 600-0000 6	3	Washer 6
7	900 819-3620 1	1	Bearing, ball 6201	34	351 610-4063 0	1	Handle
8	900 706-0001 2	1	Circlip 12	35	900 100-0604 5	1	Bolt 6x45
9	610 223-4063 0	1	Flange, drive shaft	39	610 013-0963 0	1	Shaft, flexible
10	900 238-0501 6	4	Screw 5x16	40	610 217-0963 0	1	Bushing
11	610 910-4063 0	1	Cushion	41	890 160-0963 1	1	Label
12	610 922-4063 0	1	Holder, housing	42	610 210-4063 0	1	Housing, drive shaft
13	610 923-4063 0	1	Holder, housing	48	900 502-0000 6	2	Nut 6
14	900 142-0502 5	2	Bolt 5x25	49	178 001-4063 0	1	Wire, throttle
18	351 111-0963 0	1	Grip	50	178 127-4063 0	1	Tube
19	178 048-0563 0	1	Spacer				
20	178 043-0693 0	1	Spring				
21	178 010-0563 0	1	Control, throttle				
22	178 110-0533 0	1	Screw				
23	900 240-0502 8	1	Screw 5x28				
24	178 024-0963 0	1	Bracket				
25	433 020-0083 0	1	Locknut				
26	900 500-0000 5	1	Nut 5				
27	163 400-4063 0	1	Switch, ignition				

GT-2200 6



Key No.	Part Number	Q'ty	Description	Key No.	Part Number	Q'ty	Description
6-	699 000-4063 0	1	Shield	6-	-610 310-0963 0	1	Shaft, P.T.O.
5	-900 242-0501 6	2	Screw 5x16	28	-900 305-3000 6	1	Pin 3x6
7	-699 016-2323 1	1	Cutter	29	-610 313-0963 0	1	Plate, adapter
8	-699 212-2323 0	1	Guard	30	Notavailable	1	Cap, P.T.O. shaft
12	-900 525-0000 6	1	Nut, wing 6	31	890 138-4063 0	1	Label, .ECHO
13	-900 600-0000 6	1	Washer 6	44	895 410-0963 0	1	Wrench w/screwdriver
14	-900 100-0605 0	1	Bolt 6x50	45	895 015-2663 0	1	Spanner 10
	610 400-0963 0	1	Housing ass'y, bearing				
20	-900 152-0502 5	1	Bolt 5x25				
21	-900 242-0401 0	1	Screw 4x10				
22	-610 410-0963 0	1	Housing, bearing				
23	-900 513-0001 2	1	Nut 12 L-h				
24	-900 802-0600 1	2	Bearing, ball 6001				
25	-610 315-0653 0	1	Spacer				
26	-900 702-0002 8	1	Circlip 28				

GT-2200 7



Key No.	Part Number	Q'ty	Description	Key No.	Part Number	Q'ty	Description
7-	123 000-4063 0	1	Carburetor ass'y WY-18	7- 15	- (A)	1	O-ring
				16	- (A)	1	Jet
				20	- (A) (B)	1	Gasket, pump
				21	- (A) (B)	1	Diaphragm, pump
				22	-123 160-4063 0	1	Plate, pump
5	-123 114-4063 0	2	Screw	23	- (A) (B)	1	Gasket, plate
6	-123 128-4063 0	1	Bracket, idle adjust.	24	- (A)	1	Screen, inlet
7	-123 133-2603 0	1	Spring, idle screw	25	- (A)	1	Body ass'y, pump
8	-123 134-4003 0	1	Screw, idle speed	29	- (A) (B)	1	Gasket, metering diaphragm
9	-123 116-4063 0	1	Valve, throttle	30	- (A) (B)	1	Diaphragm, metering
10	-123 172-2603 0	1	Swivel	31	-123 180-4063 0	1	Body ass'y, air purge
11	-123 149-2603 0	1	Washer	32	-123 181-4063 0	1	Pump, primer
12	-123 173-0793 0	1	Clip	33	-123 142-0296 0	1	Cover, metering diaphragm
13	-123 158-4063 0	2	Sleeve, mounting	34	-123 110-4063 0	4	Screw
14	- (A) (B)	1	Ring, packing	35	-Notavailable	1	Body, carburetor

(A) Use 123 100-4063 0 Carburetor repair kit  
 (B) Use 123 101-4063 0 Carburetor diaphragm/gasket kit