



400 Oakwood Road
Lake Zurich, IL 60047
847.540.8400
ECHO-USA.COM

IMPORTANT SAFETY RECALL NOTICE

August 1, 2024

To: Owners of ECHO PB-5810H and PB-5810T Backpack Blowers

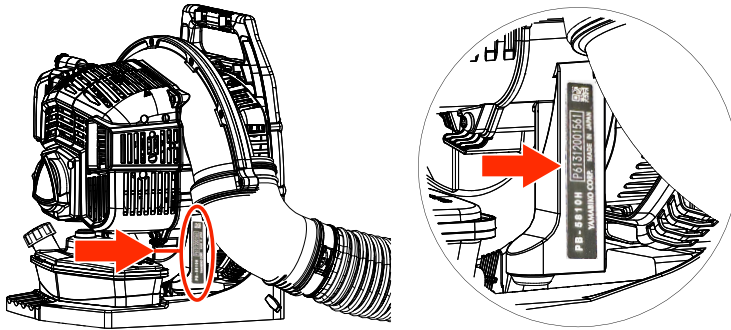
In cooperation with the U.S. Consumer Product Safety Commission, ECHO Incorporated is recalling certain ECHO backpack gas-powered blowers because the fuel supply line can leak gas, posing a fire hazard. Our records indicate that you purchased this unit between May 2024 and June 2024.

What do we need you to do?

Step 1. Consumers should immediately stop using the recalled blowers.

Step 2. Please look up the serial number on the product to determine if it is part of the recall. The serial numbers are listed below in a chart and there is a diagram to show where the serial number is located on the product.

Model Number	Serial Number Range
PB-5810H	P61312001001 - P61312002590
PB-5810T	P61212001001 - P61212004155



Recalled ECHO Blower serial number location

Step 3. If your product is in the recall, please contact an authorized ECHO servicing dealer for installation of a new fuel line at no charge. Authorized ECHO servicing dealers can be found under the Store Locator at www.echo-usa.com.

For additional information:

Contact ECHO at 800-432-3246 from 8 a.m. to 4:30 p.m. CT Monday - Friday, visit www.echo-usa.com/recall, or go to www.echo-usa.com and click on "Product Recall" at the bottom of the site.

The public announcement will be issued on August 1, 2024.

Thank you for your support and cooperation, and we sincerely apologize for any inconvenience this recall may cause.

Sincerely,

ECHO Incorporated

SAFETY RECALL NOTICE

In cooperation with the U.S. Consumer Product Safety Commission



ECHO PB-5810H and PB-5810T Backpack Blowers
Sold from May 2024 through June 2024

The clear fuel feed line assembled on ECHO blower models PB-5810H and PB-5810T in the serial number ranges listed below, may have damage at the end attached to the carburetor fuel inlet fitting which could allow gasoline to leak, posing a fire hazard.

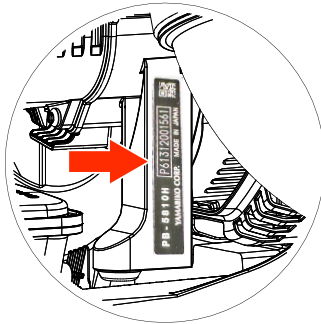
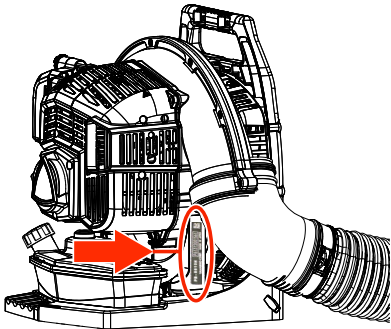
PB-5810H



PB-5810T



Serial Number Location



Affected Models	Serial Number Range
PB-5810H	P61312001001 - P61312002590
PB-5810T	P61212001001 - P61212004155

If your PB-5810H or PB-5810T Backpack Blower is within the recall serial number range, or the dates listed above, **you should discontinue use of this product immediately** and contact your local authorized ECHO servicing dealer to schedule the installation of a replacement hose at no charge.

For further information, visit www.echo-usa.com or call ECHO's toll-free number between 8:00 a.m. and 4:30 p.m. CST, Monday - Friday at 800-432-3246, to speak to a company representative.

In cooperation with the U.S. Consumer Product Safety Commission

Post until December 1, 2024



Release Date: August 1, 2024

Release Number: 24-329

ECHO Recalls Gas-Powered Backpack Blowers Due to Fire Hazard

Recall Summary

Name of Product: ECHO gas-powered backpack blowers

Hazard: The fuel supply line can leak gas, posing a fire hazard.

Remedy: Repair

Consumers should immediately stop using the recalled blowers and contact an authorized ECHO dealer (www.echo-usa.com/store-locator) to schedule an appointment to bring the ECHO gas-powered backpack blower into the dealer for free installation of a new replacement fuel line. ECHO is contacting all known purchasers directly.

Consumer Contact: ECHO at 800-432-3246 from 8 a.m. to 4:30 p.m. CT Monday through Friday, email at www.echo-usa.com/customer-support or visit www.echo-usa.com/recall or go to www.echo-usa.com and click on “Product Recall” at the bottom of the site.

Recall Details

Units: About 3,900

Description: This recall involves two ECHO 59.7cc gas-powered backpack blowers with the model number PB-5810H and PB-5810T. These blowers are designed for residential and commercial use. The blowers are orange and black in color and "ECHO" is printed on the starter recoil housing. Model and serial numbers are located on a label near the right side of the black blower fan housing. This recall includes the following serial numbers:

Model Number	Serial Number Range
PB-5810H	P61312001001 to P61312002590
PB-5810T	P61212001001 to P61212004155

Incidents/Injuries: None reported

Sold At: Golden Eagle Distributing Company, of Rocklin, California, and independent dealers nationwide from May 2024 through June 2024 for about \$430.

Manufacturer: ECHO Inc., of Lake Zurich, Illinois

Manufactured in: United States

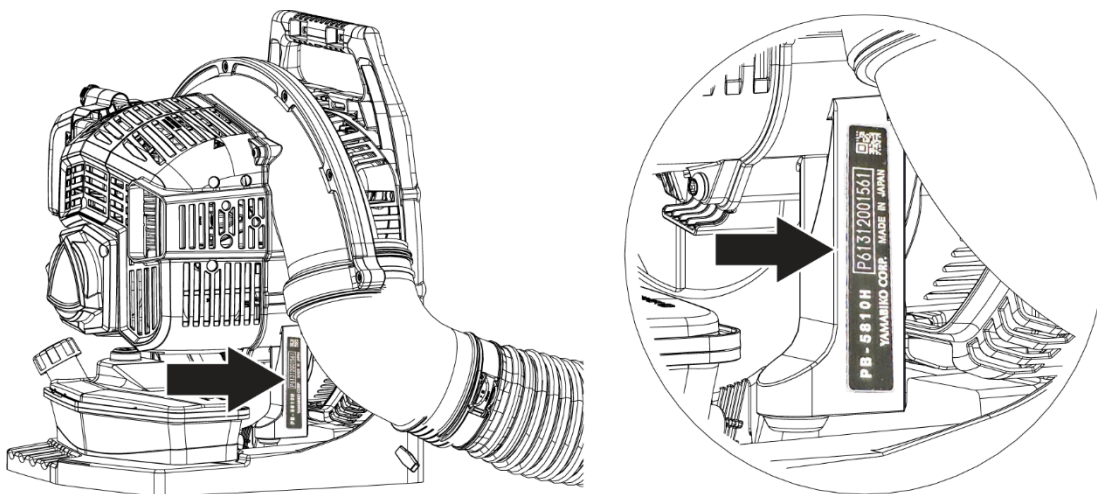
Photos



Recalled ECHO Blower, Model Number: PB-5810H



Recalled ECHO Blower, Model Number: PB-5810T



Recalled ECHO Blower serial number location

Fast Track Recall

Individual Commissioners may have statements related to this topic. Please visit www.cpsc.gov/commissioners to search for statements related to this or other topics.

About the U.S. CPSC

The U.S. Consumer Product Safety Commission (CPSC) is charged with protecting the public from unreasonable risk of injury or death associated with the use of thousands of types of consumer products. Deaths, injuries, and property damage from consumer product-related incidents cost the nation more than \$1 trillion annually. CPSC's work to ensure the safety of consumer products has contributed to a decline in the rate of injuries associated with consumer products over the past 50 years.

Federal law prohibits any person from selling products subject to a Commission ordered recall or a voluntary recall undertaken in consultation with the CPSC.

For lifesaving information:

- Visit CPSC.gov.
- Sign up to receive our [e-mail alerts](#).
- Follow us on [Facebook](#), Instagram [@USCPSC](#) and Twitter [@USCPSC](#).
- Report a dangerous product or a product-related injury on www.SaferProducts.gov.
- Call CPSC's Hotline at 800-638-2772 (TTY 301-595-7054).
- Contact a [media specialist](#).